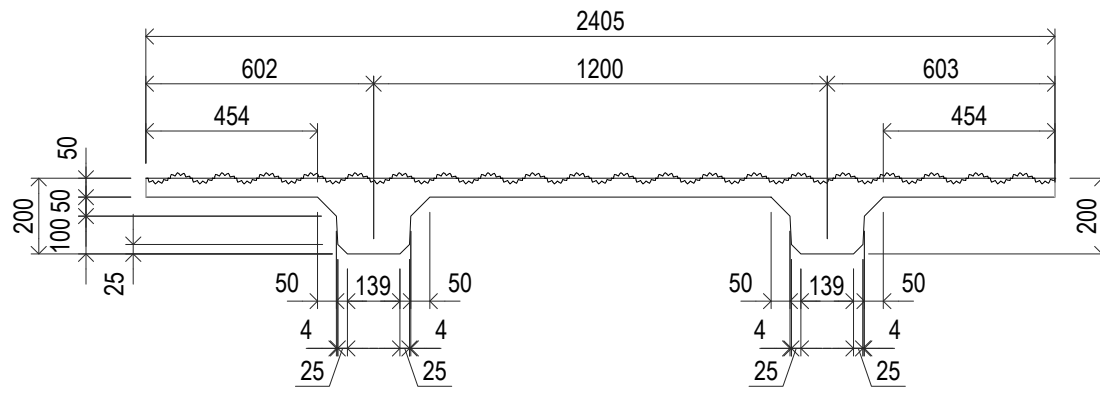
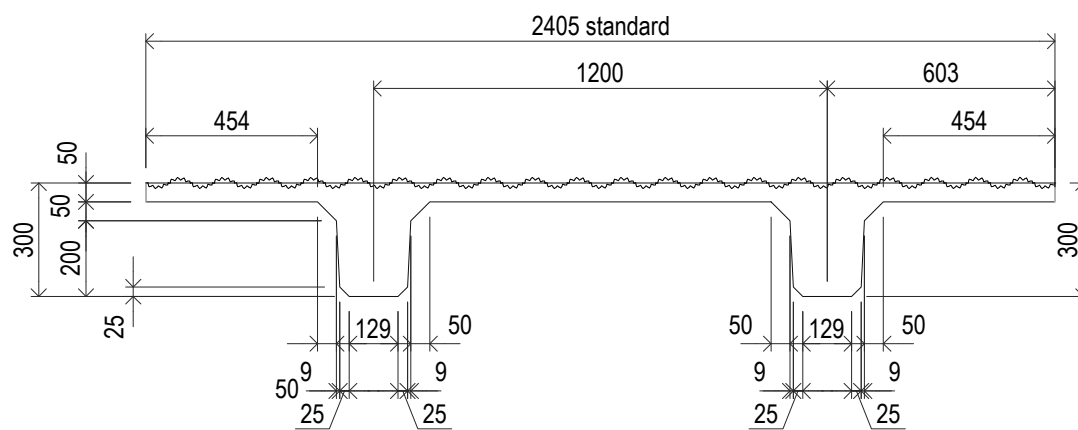


BUILDING B DOUBLE T AND STAIRS LAYOUT
SCALE 1:100 (A3)

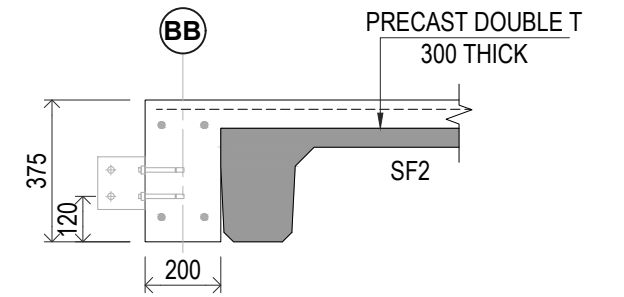
Design Loads
SDL = 0.5kPa
Q = 3.0kPa



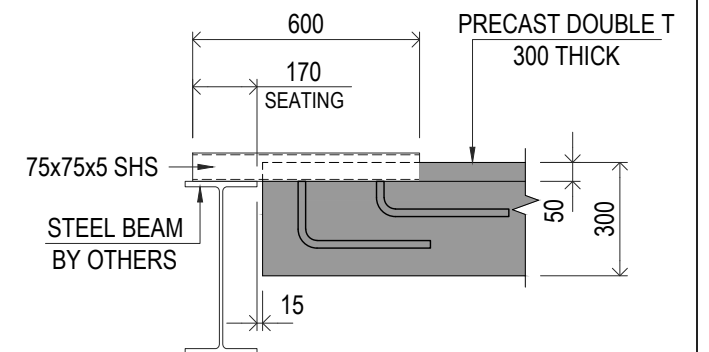
TYPICAL SECTION-200 DOUBLE-T
SCALE 1:20 (A3)



TYPICAL SECTION-300 DOUBLE-T
SCALE 1:20 (A3)

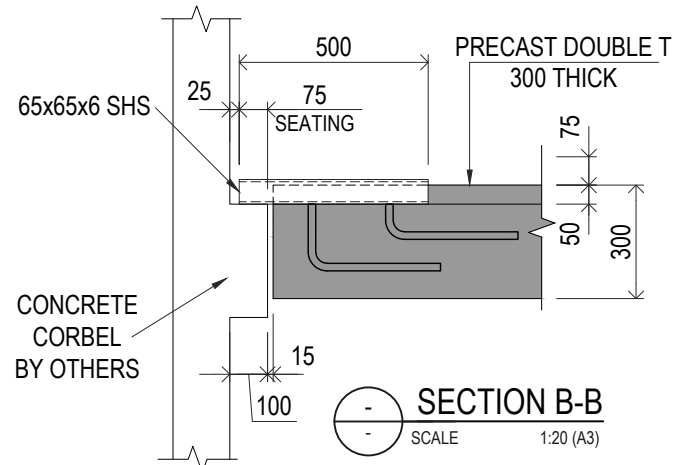


SECTION D-D
SCALE 1:20 (A3)



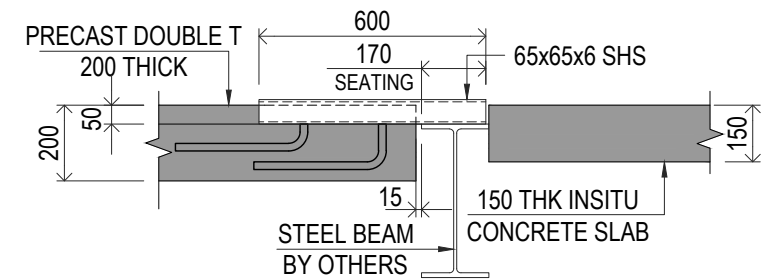
SECTION A-A
SCALE 1:20 (A3)

hanger to steel connection



SECTION B-B
SCALE 1:20 (A3)

hanger to concrete connection



SECTION C-C
SCALE 1:20 (A3)

hanger to steel connection

REV.	DATE	DESCRIPTION	DRAWN	APPROVED
H	19.03.22	REVISED AS CLOUDED	HP	
G	14.03.22	REVISED AS PER COMMENTS	HP	
F	24.02.22	REVISED AS PER COMMENTS	JJ	
E	14.02.22	REVISED AS PER COMMENTS	AS	
D	28.01.22	RE-ARRANGE DOUBLE T PLAN	AS	
C	27.01.22	REVISED AS PER COMMENTS	AS	

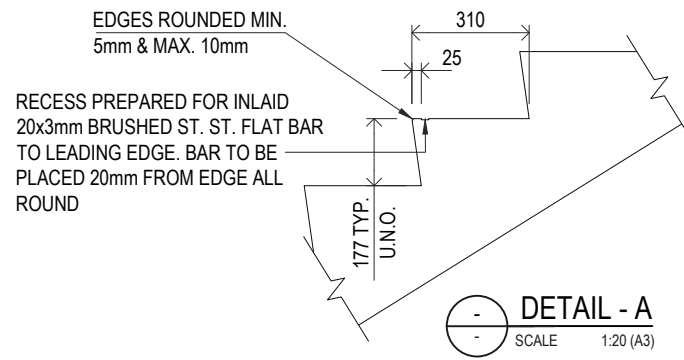
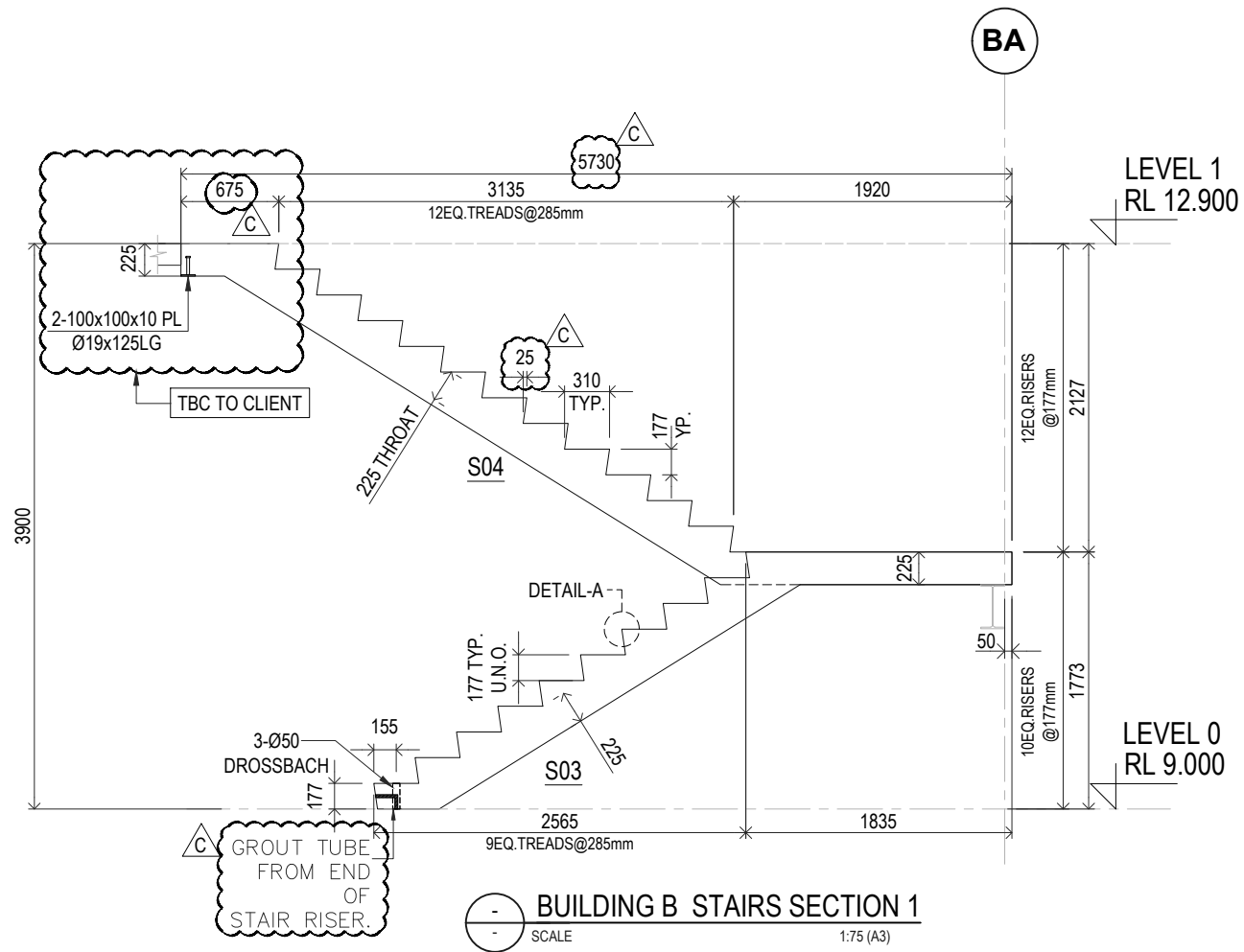
Contractor

Job
HIGHBROOK RIVERSIDE
WAREHOUSE (BUILDING B)

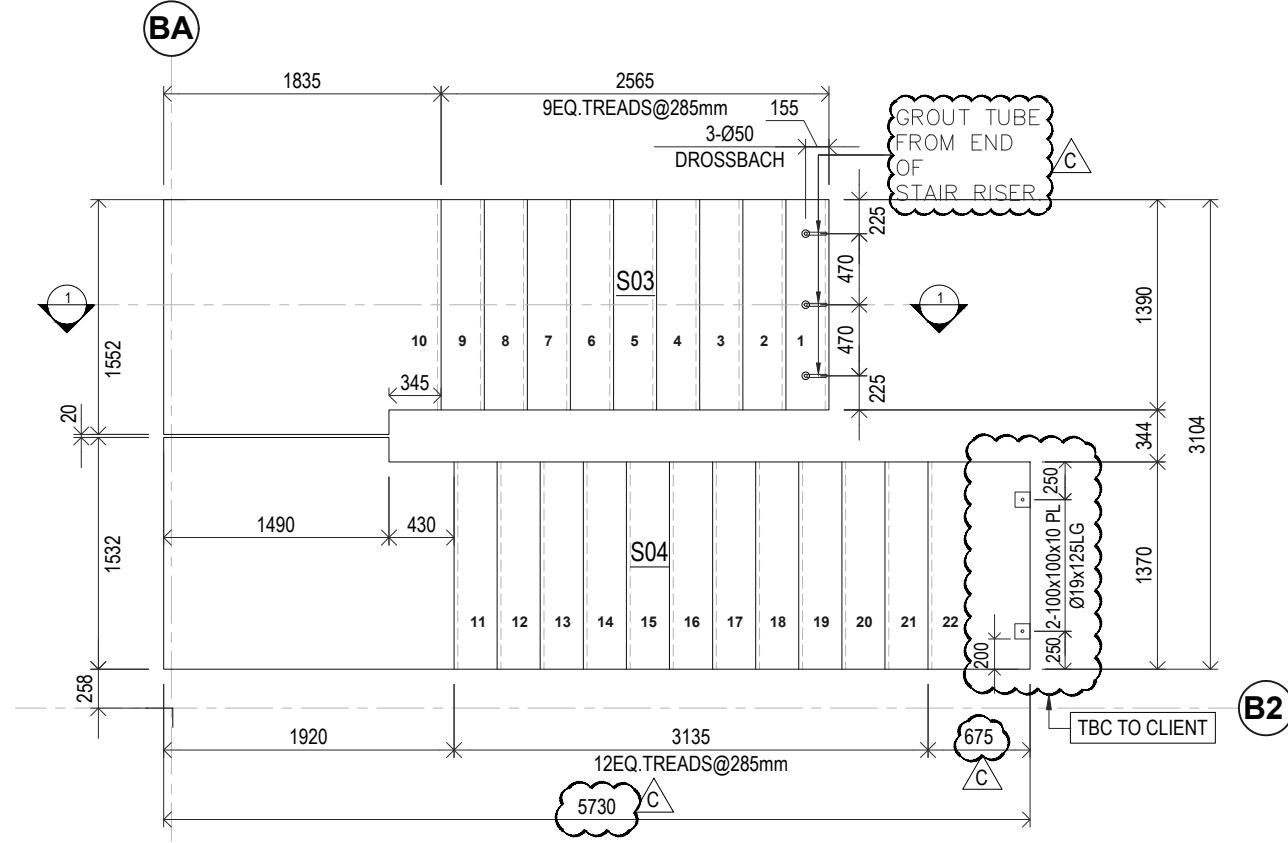
Title
DOUBLE T PLAN - LAYOUT

Drawn AS Date 18.01.2022 Job No. **787**
Checked HP Scale (A3) 1:100 Dwg No. **03** H REV.

COPYRIGHT RESERVED



BUILDING B STAIRS SECTION 1
SCALE 1:75 (A3)



BUILDING B STAIRS LAYOUT
SCALE 1:75 (A3)

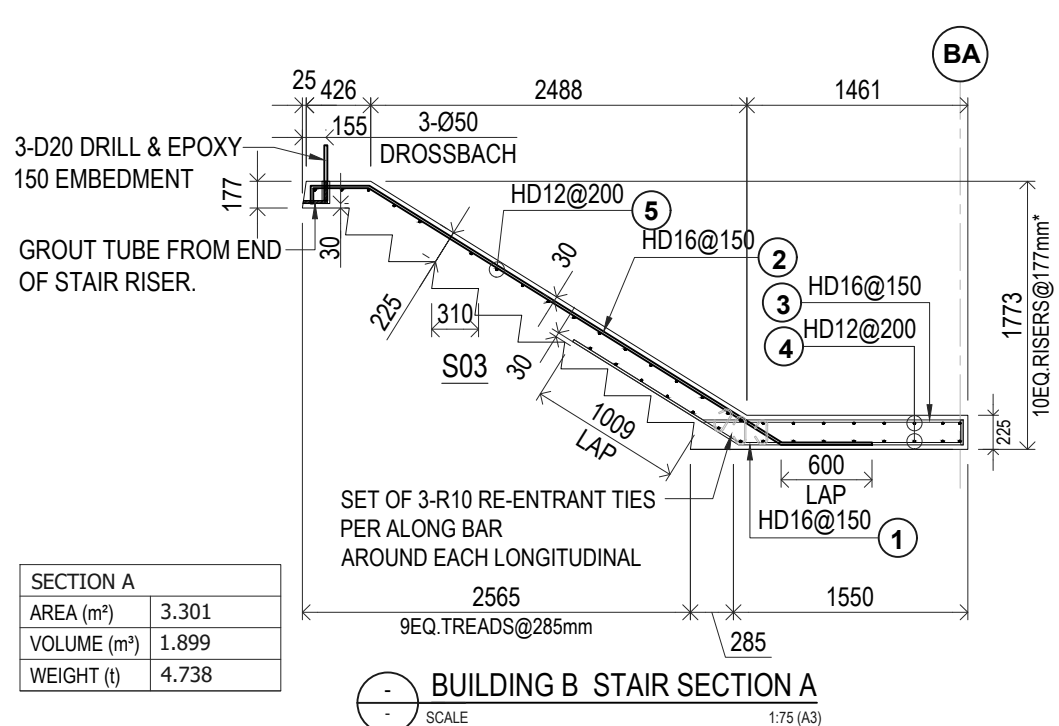
REV.	DATE	DESCRIPTION	DRAWN	APPROVED
C	14.02.22	REVISED AS PER COMMENTS	AS	
B	27.01.22	REVISED AS PER COMMENTS	AS	
A	18.01.22	FOR APPROVAL	AS	

Contractor

Job
HIGHBROOK RIVERSIDE
WAREHOUSE (BUILDING B)

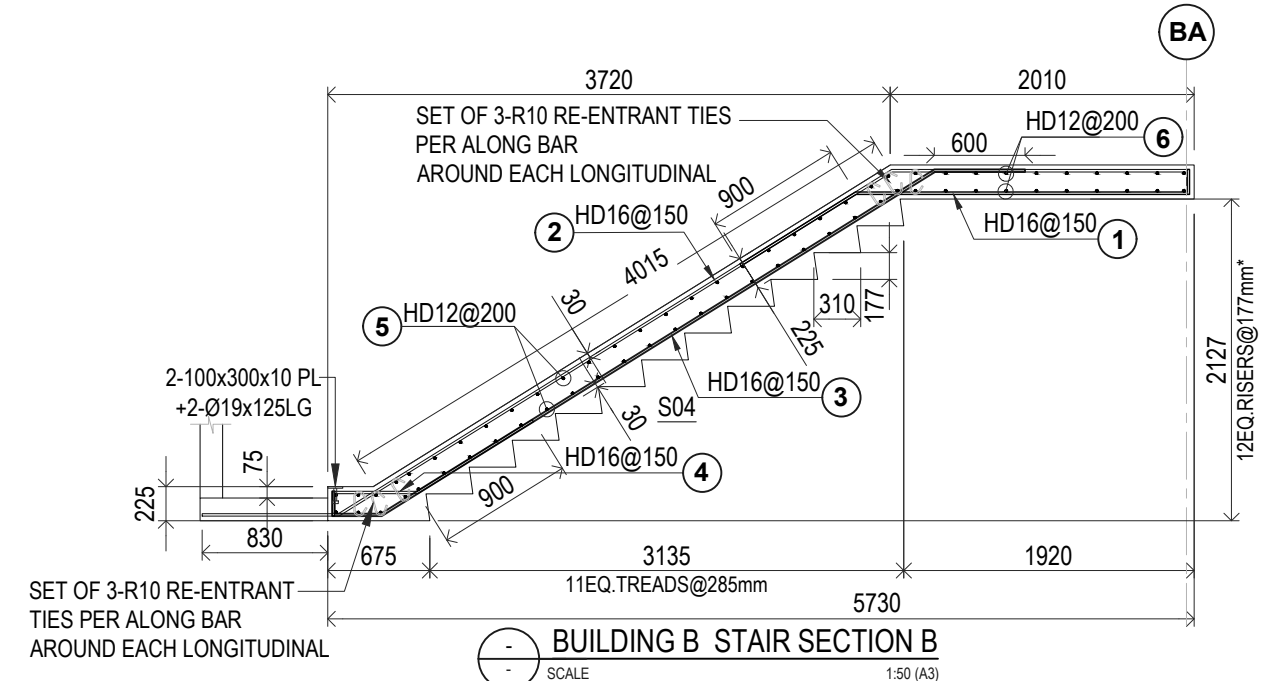
Title
PRECAST STAIR PLAN - LAYOUT

COPYRIGHT RESERVED	Drawn	AS	Date	18.01.2022	Job No.	787
	Checked	HP	Scale (A3)	1:100	Dwg No.	04 C

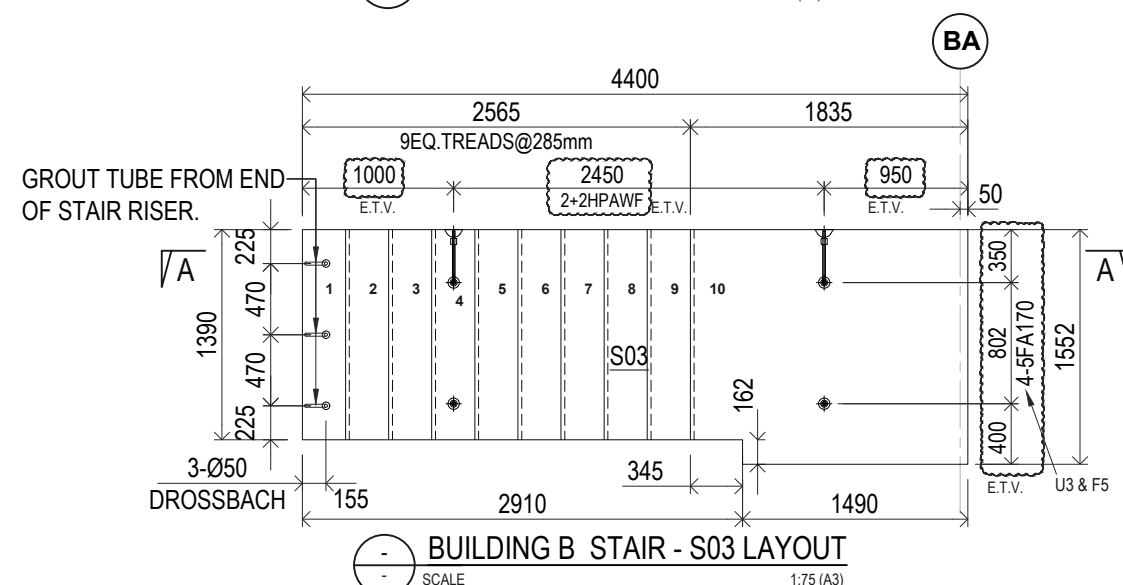


SECTION A	
AREA (m ²)	3.301
VOLUME (m ³)	1.899
WEIGHT (t)	4.738

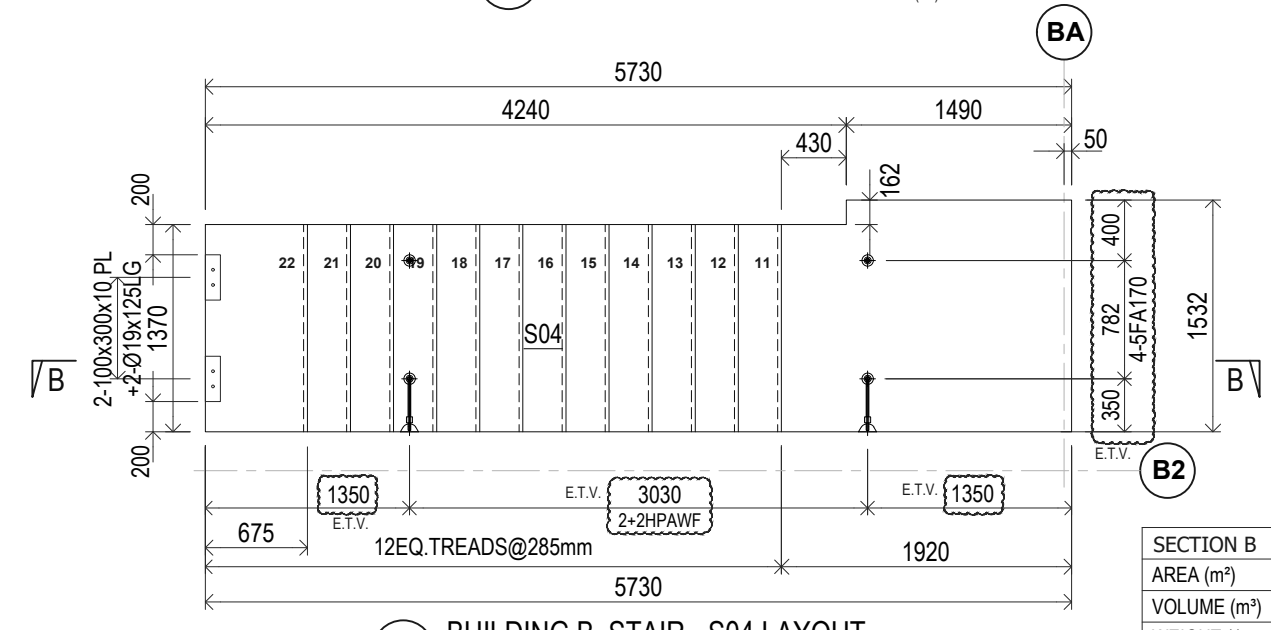
BUILDING B STAIR SECTION A
SCALE 1:75 (A3)



BUILDING B STAIR SECTION B
SCALE 1:50 (A3)

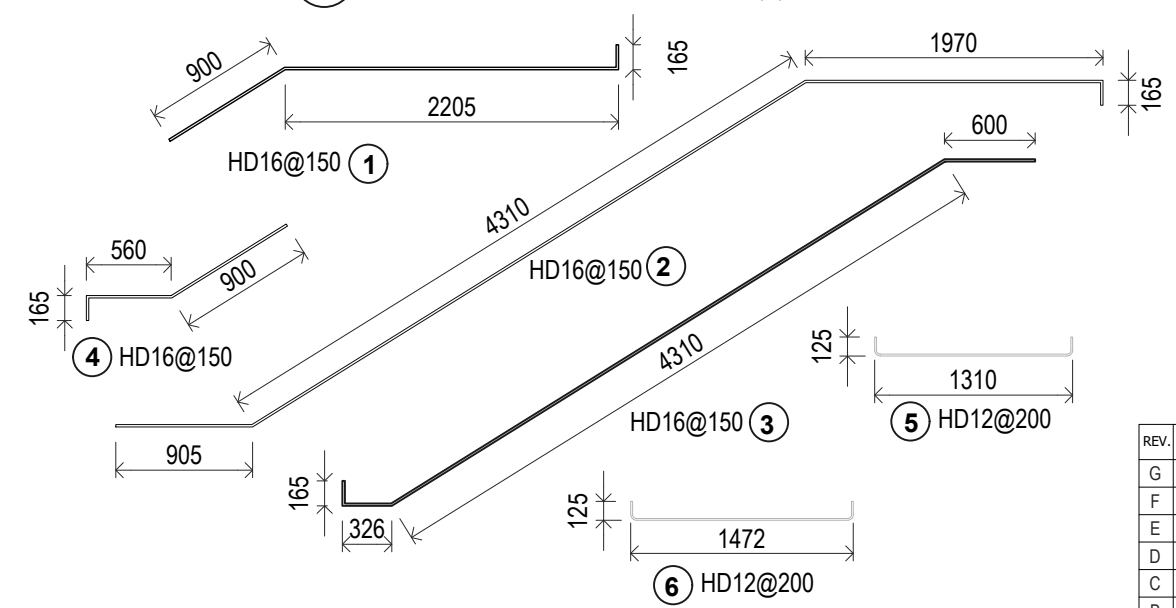
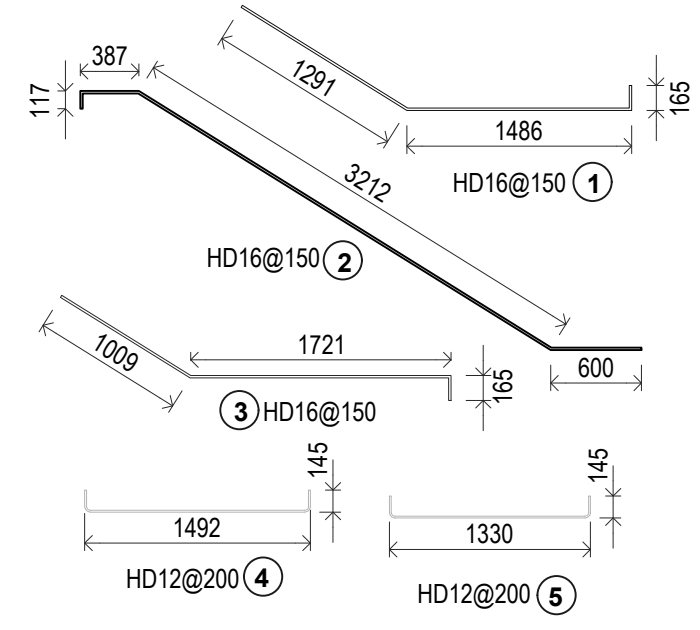


BUILDING B STAIR - S03 LAYOUT
SCALE 1:75 (A3)



BUILDING B STAIR - S04 LAYOUT
SCALE 1:75 (A3)

SECTION B	
AREA (m ²)	3.703
VOLUME (m ³)	2.459
WEIGHT (t)	6.149



INSPECTION & TEST PLAN	
INSPECTED BY	
NAME OF FABRICATOR	
UNIT NO.	
CAST DATE	
CAST TIME	
CONCRETE DOCKET NO.	
CONCRETE SPECIF. (MPa)	

ITEM	FABRICATOR INITIAL	APPROVED Y / N
MOULD CLEANLINESS		
RELEASE OIL		
DIMENSIONS		
FORMWORK FIXED		
OPENING / REBATES CORRECT & POSITION		
HOLD POINT		
REINFORCING CORRECT		
LAPS & SPLICES CORRECT		
SPACING & COVER CORRECT		
HOLD POINT		
LIFTERS POSITIONED CORRECTLY		
CAST - IN ITEMS		
STARTERS, LACING BARS		
APPROVED FOR CASTING		

POST POUR INSPECTION	
INSPECTED BY	
DATE	
ITEM	APPROVED Y / N
SWIFTLIFTS POSITION	
SWIFTLIFTS RECESS CLEANED	
CAST-IN ITEMS CLEANED	
CONCRETE FINISH	
LABELLED (NUMBER / DATED)	
DAMAGE (CRACKS / CHIPPING)	
CLEANLINESS	
ANY ACTION REQUIRED:	
APPROVED FOR DISPATCH	

SLING ANGLE TO BE NOT LESS THAN 60° TO HORIZONTAL WHEN LIFTING

30cvr TO ALL EDGES AND FACES (UNO)

CAST IN SUNDRY
50Ø DROSSBACH = 3
CASTING PLATE = 2 -100x300x10PL + 2-Ø19x125LG SHEAR STUDS WELDED TO CAST IN PLATE

AREA (m ²)	7.00
VOLUME (m ³)	4.359
WEIGHT (t)	10.887
THICKNESS (mm)	225
CONC. GRADE	40MPa
FINISH MF/NF	F5/U3
NO: OFF	1

REV.	DATE	DESCRIPTION	DRAWN	APPROVED
G	11.03.22	REVISED AS PER COMMENTS	HP	
F	07.03.22	FOR CONSTRUCTION	AS	
E	04.03.22	FOR CONSTRUCTION	HP	
D	02.03.22	REVISED AS PER COMMENTS	AS	
C	01.03.22	REVISED AS PER COMMENTS	AS	
B	24.02.22	REVISED AS PER COMMENTS	JJ	

Contractor

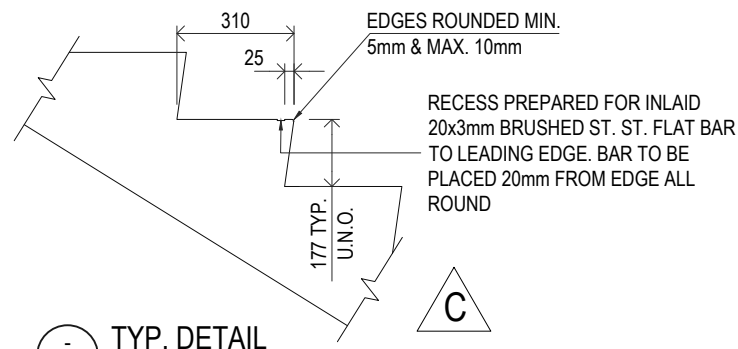
Job
HIGHBROOK RIVERSIDE
WAREHOUSE (BUILDING B)

Title
PRECAST STAIR 03 & 04
REINFORCEMENT DETAIL

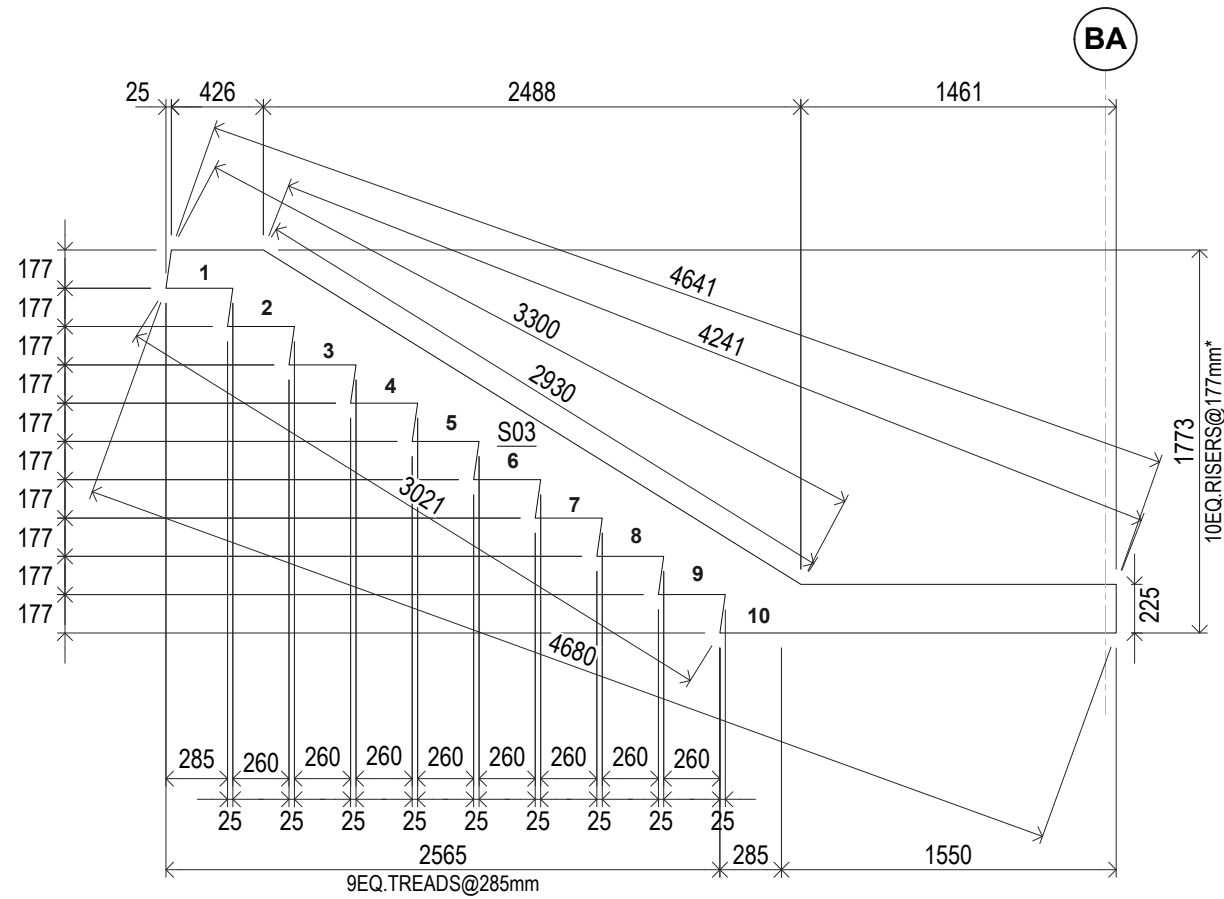
Drawn	AS	Date	14.02.2022	Job No.	787
Checked	HP	Scale (A3)	1:50, 1:75		

ST-S02 G
Dwg No. (1 OF 2) REV.

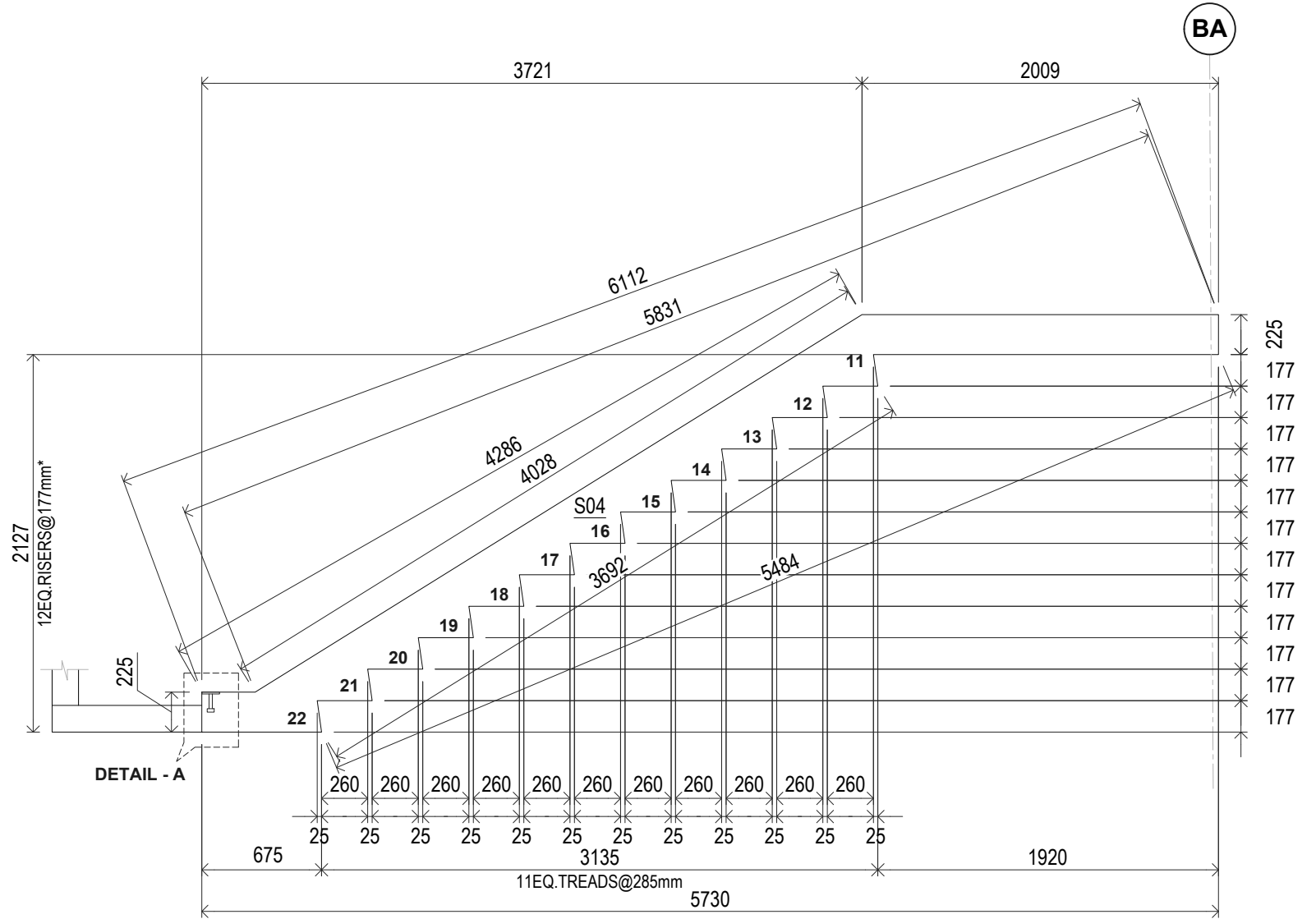
COPYRIGHT RESERVED



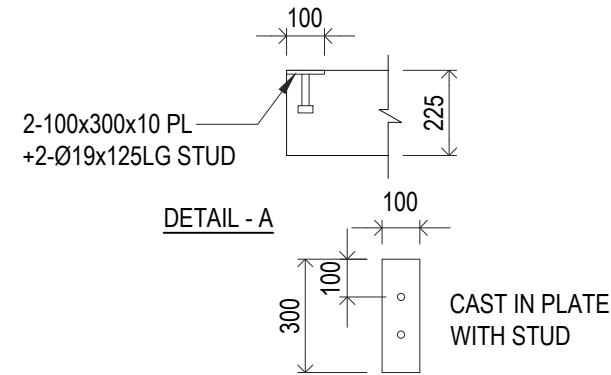
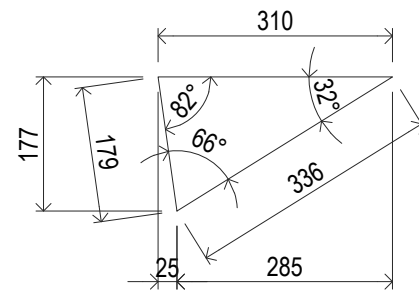
TYP. DETAIL
SCALE 1:20 (A3)



BUILDING B STAIR S03
SCALE 1:35 (A3)



BUILDING B STAIR S04
SCALE 1:35 (A3)



REV.	DATE	DESCRIPTION	DRAWN	APPROVED
C	11.03.22	REVISED AS PER COMMENTS	HP	
B	04.03.22	FOR CONSTRUCTION	HP	
A	01.03.22	FOR APPROVAL	AS	

Contractor

Job
HIGHBROOK RIVERSIDE
WAREHOUSE (BUILDING B)

Title
BUILDING B
PRECAST STAIR 03 & 04

COPYRIGHT
RESERVED

Drawn	AS	Date	01.03.2022	Job No.	787
Checked	HP	Scale (A3)	1:35		

ST-S02
Dwg No. (2 OF 2) C
REV.