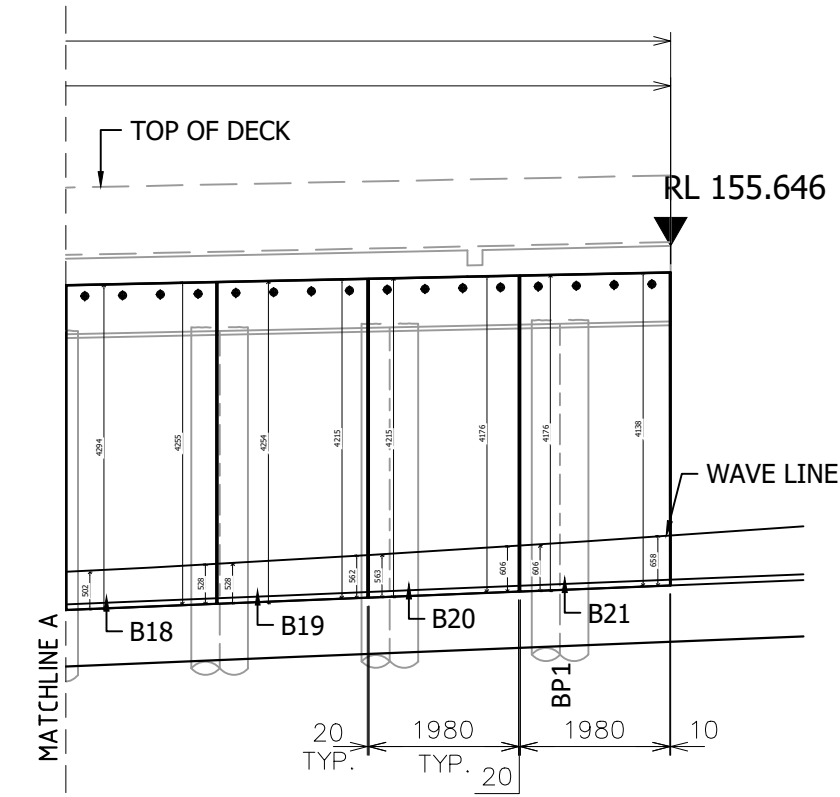
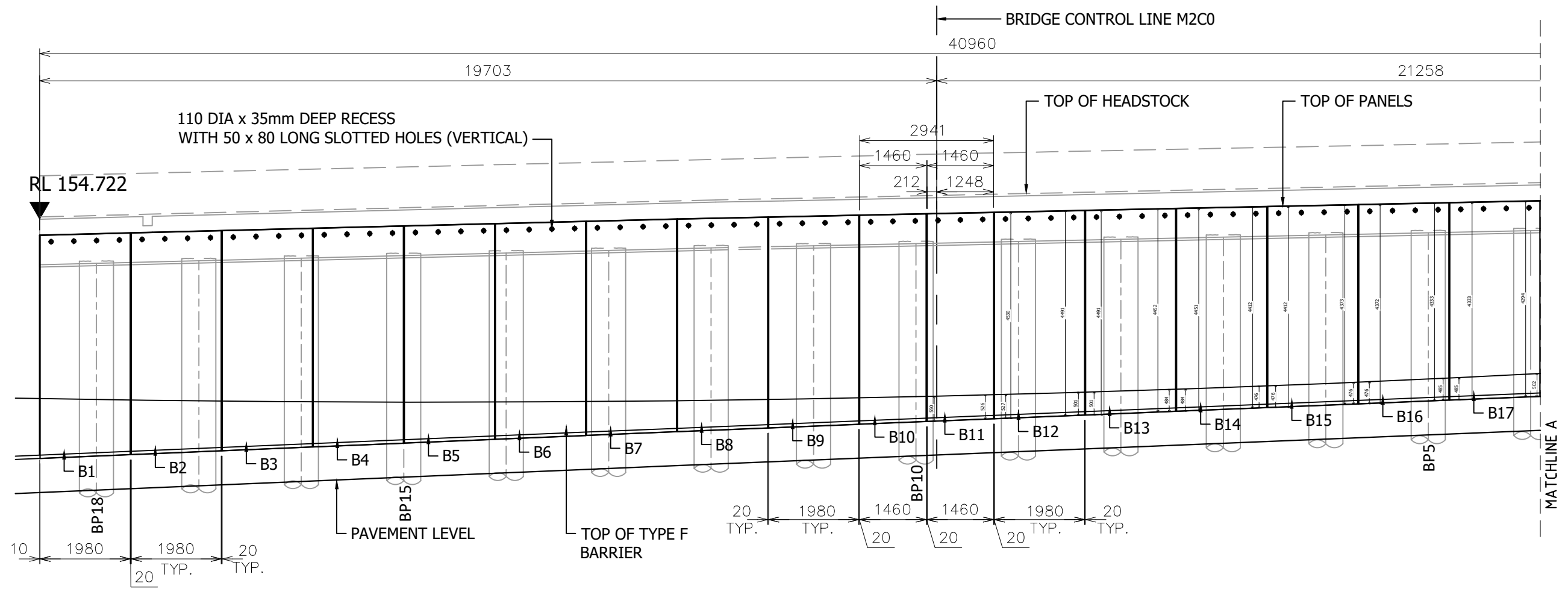


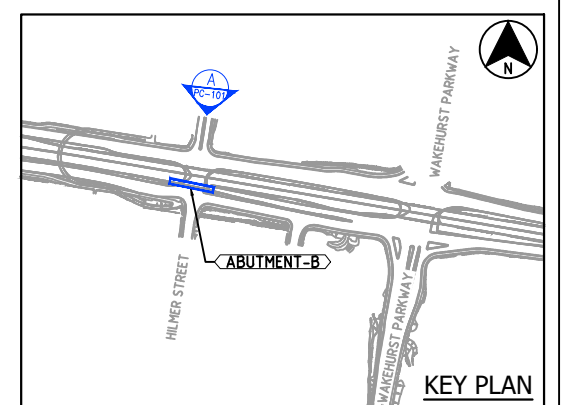
A
- PRECAST PANEL ELEVATION (ABUTMENT - A)
SCALE 1 : 100

REV.	DATE	DESCRIPTION	DRAWN	APPROVED
0	15/11/18	FOR APPROVAL	JT	

Contractor	Designer	Job NORTHERN BEACHES COUNCIL NORTHERN BEACHES HOSPITAL CONNECTIVITY AND NETWORK ENHANCEMENT	Project	Title BRIDGE OVER WARRINGAH ROAD AT HILMER STREET PRECAST FASCIA PANEL ELEVATION	COPYRIGHT RESERVED	Drawn	JT	Date	15/11/18	Lot No. 163A
						Checked	HP	Scale (A3)	1:100	



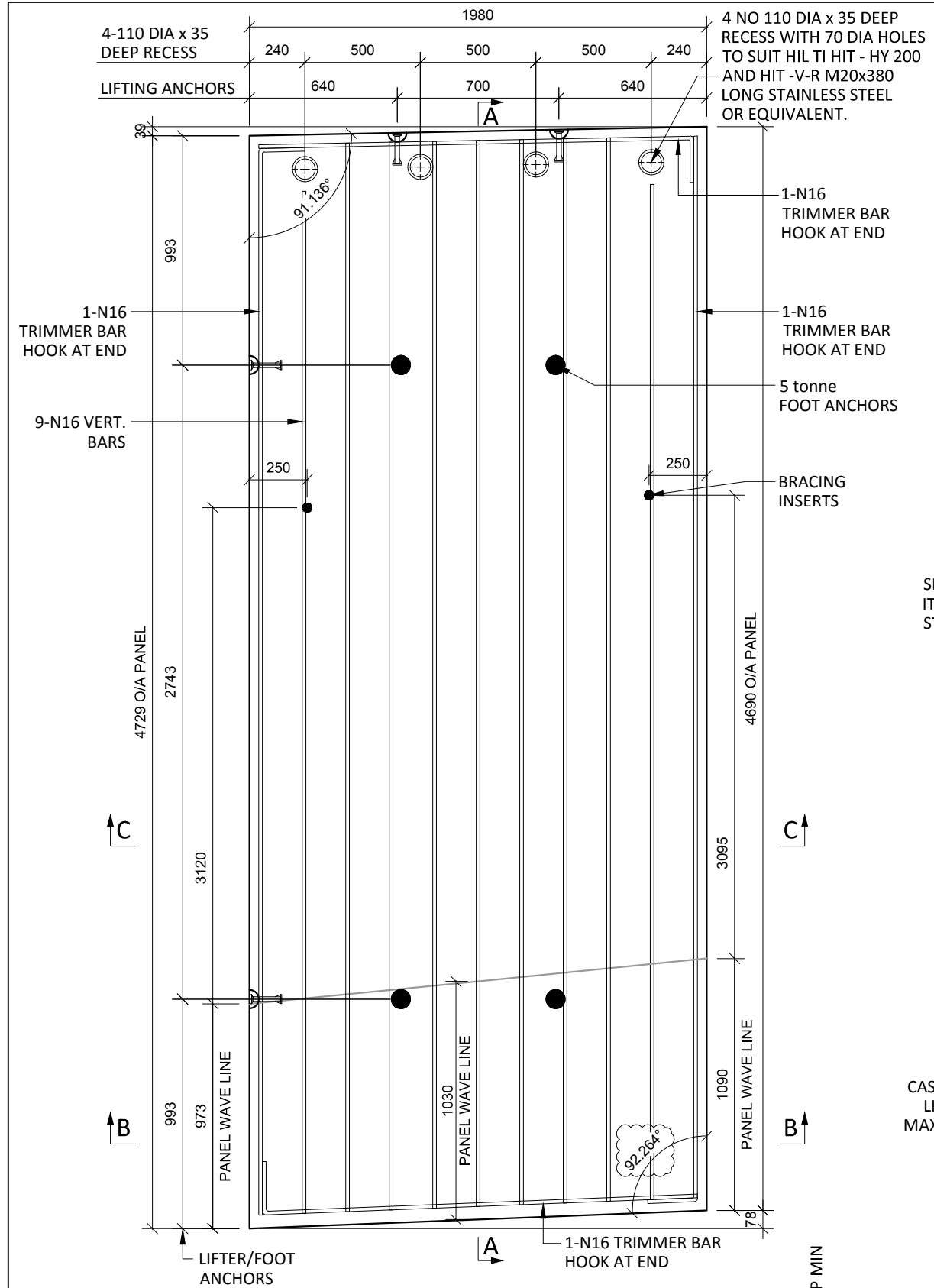
LEGEND:
 BX = DENOTES PRECAST PANEL NUMBER



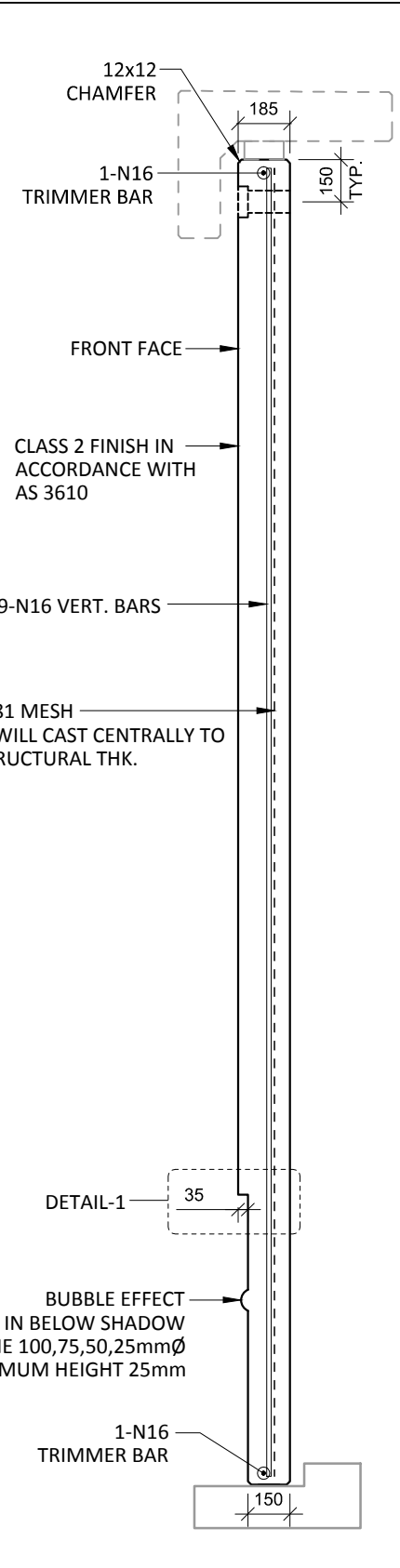
A PRECAST PANEL ELEVATION (ABUTMENT - B)
 SCALE 1 : 100

REV.	DATE	DESCRIPTION	DRAWN	APPROVED
0	15/11/18	FOR APPROVAL	JT	

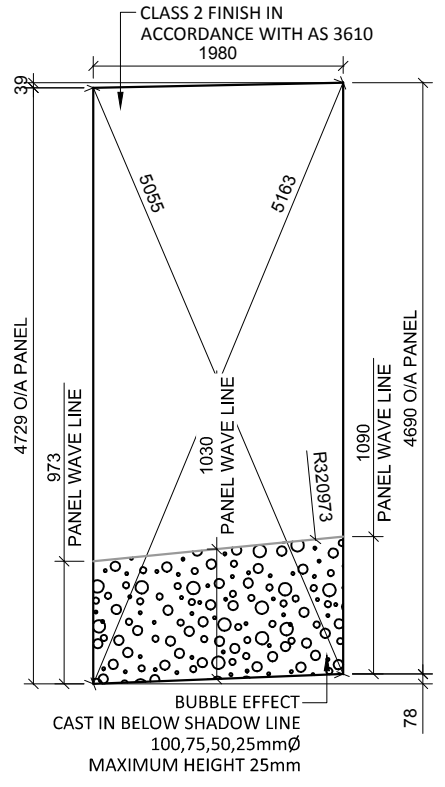
Contractor Designer	Job NORTHERN BEACHES COUNCIL NORTHERN BEACHES HOSPITAL CONNECTIVITY AND NETWORK ENHANCEMENT	Project	Title BRIDGE OVER WARRINGAH ROAD AT HILMER STREET PRECAST FASCIA PANEL ELEVATION	COPYRIGHT RESERVED	Drawn	JT	Date	15/11/18	Lot No. 163A
					Checked	HP	Scale (A3)	1:100	



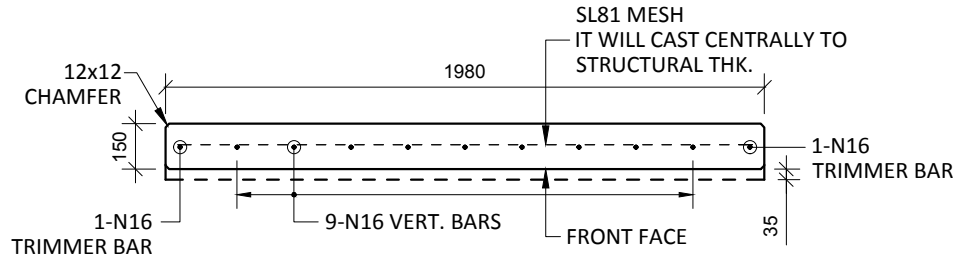
A1 PLAN AS CAST - 150/185 THK
SCALE :- 1:25 SL81 MESH IS NOT SHOWN FOR CLARITY



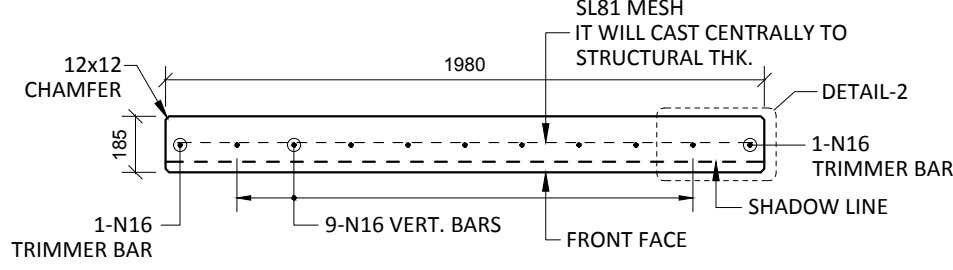
SECTION A-A
SCALE :- 1:25



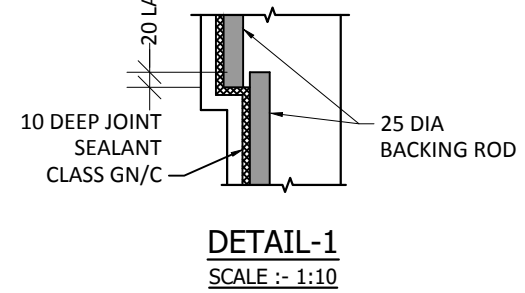
VIEWED AS CAST
SCALE :- 1:25



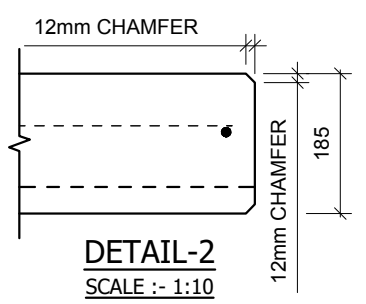
SECTION B-B
SCALE :- 1:25



SECTION C-C
SCALE :- 1:25



DETAIL-1
SCALE :- 1:10



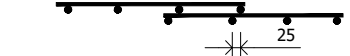
DETAIL-2
SCALE :- 1:10

NOTES.
CONCRETE

- CONCRETE SHALL HAVE A MIN. 28 DAY COMPRESSIVE STRENGTH OF 40MPa.
- PLACING AND CURING OF CONCRETE SHALL COMPLY WITH RMS D+C SPECIFICATION B80.
- ALL CORNERS SHALL HAVE 12mmx12mm FILLETS OR CHAMFERS - U.N.O. ON DRAWINGS.
- CONCRETE EXPOSURE CLASSIFICATION: B1 TO RMS D+C SPECIFICATION B80 UNO.
- CONCRETE MIX SHALL BE IN ACCORDANCE WITH RMS D+C SPECIFICATION B80.
- LIFTERS HDG & ALL FIXING ARE SS.

REINFORCING

- COVER: 40mm U.O.N
- ALL REINFORCEMENT SHALL COMPLY WITH AS4671 GRADE D500N (TYPICAL).
- SPACING: TO BE TAKEN AS EVEN UNLESS NOTED OTHERWISE.
- BENDING: BAR BENDING & HOOK DETAILS SHALL BE IN ACCORDANCE WITH AS5100.5.
- WHERE REBATES OR RECESSES ARE REQUIRED, MIN. CLEAR COVER TO THE REINFORCEMENT SHALL BE MAINTAINED.
- N16 TRIMMER BARS TO BE PROVIDED ALL AROUND.
- REINFORCEMENT MAY BE SHOWN DIAGMATICALLY AND MAY NOT NECESSARILY BE IN TRUE PROJECTION. THE MINIMUM LAPPED SPLICE FOR MESH SHALL BE MADE SO THAT THE OUTERMOST CROSS BARS OF ONE SHEET OVERLAP THE TWO OUTERMOST BARS CROSS BARS OF THE SHEET BEING LAPPED AS SHOWN BELOW.



- UNLESS OTHERWISE SPECIFIED, THE MINIMUM DEVELOPMENT LENGTHS AND LENGTHS OF LAPS SHALL BE AS FOLLOWS:

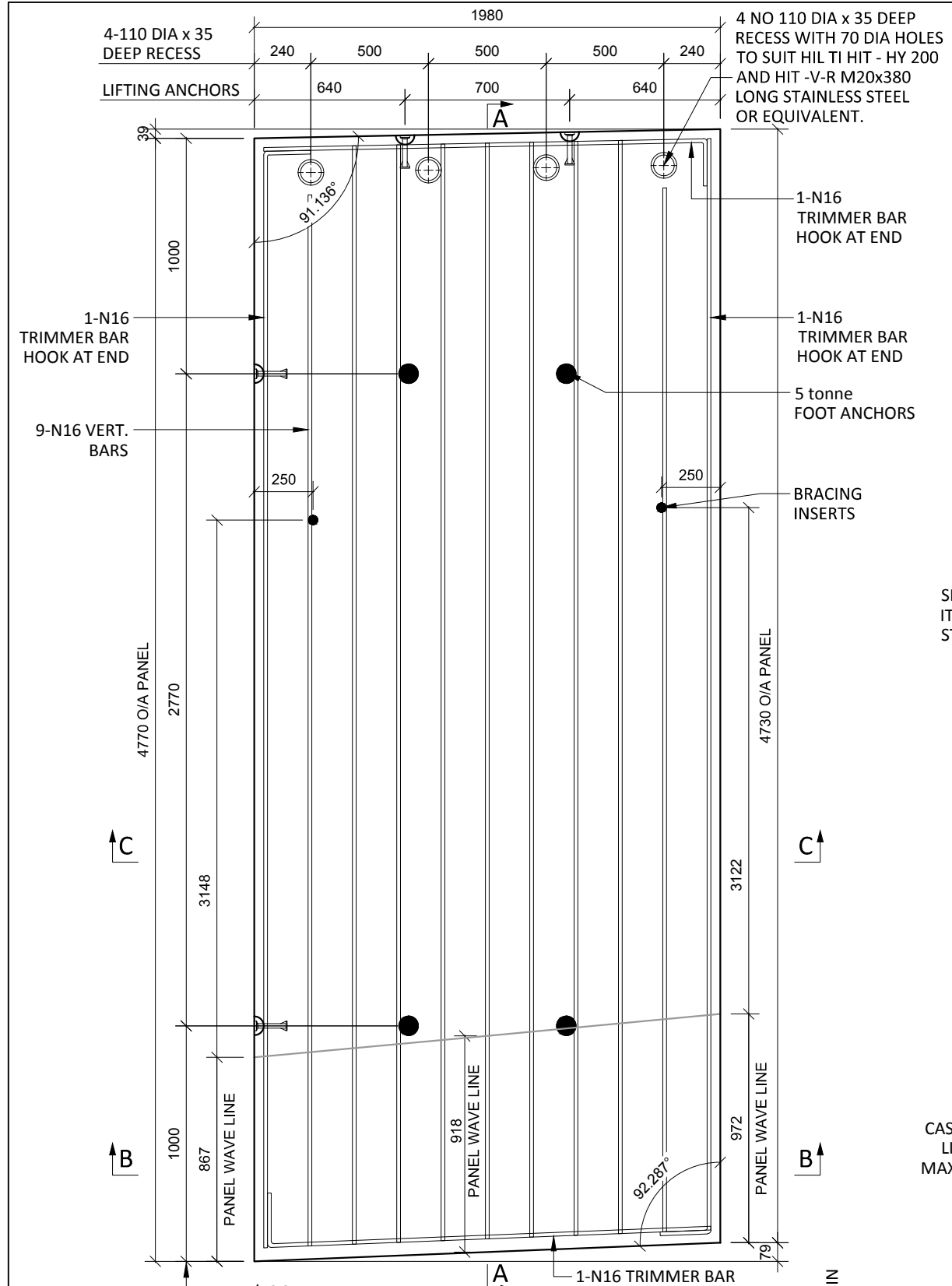
BAR SIZE:	N12	N16	N20	N24
a) HORIZONTAL BARS WITH >300mm OF CONCRETE CAST BELOW THE BAR	500	700	1000	1300
b) OTHER BARS	350	550	750	1000

INSPECTION <input type="checkbox"/> TEST PLAN	
INSPECTED BY	
NAME OF FABRICATOR	
UNIT NO.	
CAST DATE	
CAST TIME	
CONCRETE DOCKET NO.	
CONCRETE SPECIF. (MPa)	
ITEM	FABRICATOR APPROVED INITIAL Y / N
MOULD CLEANLINESS	
RELEASE OIL	
DIMENSIONS	
FORMWORK FIXED	
OPENING / REBATES CORRECT <input type="checkbox"/> POSITION	
HOLD POINT	
REINFORCING CORRECT	
LAPS <input type="checkbox"/> SPLICES CORRECT	
SPACING <input type="checkbox"/> COVER CORRECT	
HOLD POINT	
LIFTERS POSITIONED CORRECTLY	
CAST - IN ITEMS	
STARTERS <input type="checkbox"/> CLACING BARS	
APPROVED FOR CASTING	
POST POUR INSPECTION	
INSPECTED BY	
DATE	
ITEM	APPROVED Y / N
SWIFTLIFTS POSITION	
SWIFTLIFTS RECESS CLEANED	
CAST-IN ITEMS CLEANED	
CONCRETE FINISH	
LABELLED (NUMBER / DATED)	
DAMAGE (CRACKS / CHIPPING)	
CLEANLINESS	
ANY ACTION REQUIRED: URBAN DESIGN PANEL FINISH/ BUBBLE EFFECT FINISH	
APPROVED FOR DISPATCH	
SLING ANGLE TO BE NOT LESS THAN 60° TO HORIZONTAL WHEN LIFTING	
40c TO ALL EDGES <input type="checkbox"/> FACES (UNO)	
Area (m ²)	9.33
Vol (m ³)	1.65
Wt. (t)	4.13
MPa	40MPa
FINISH	FRONT FACE URBAN DESIGN PANEL FINISH/ BUBBLE EFFECT FINISH
NO: OFF	1

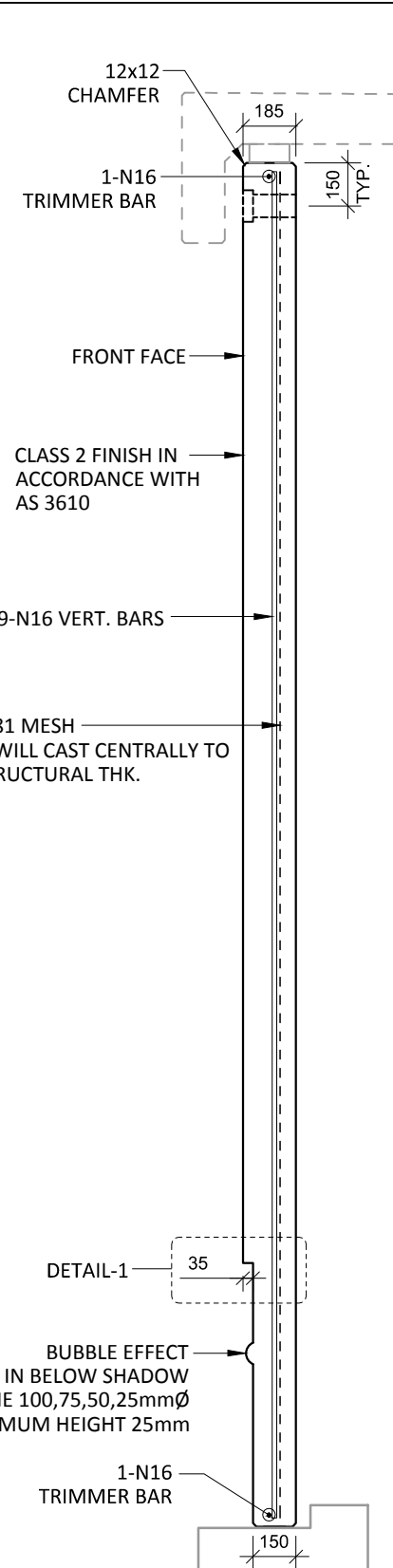
VERIFY CLOUDED ITEMS

REV.	DATE	DESCRIPTION	DRAWN	APPROVED
0	20/12/18	ISSUED FOR CONSTRUCTION	NG	

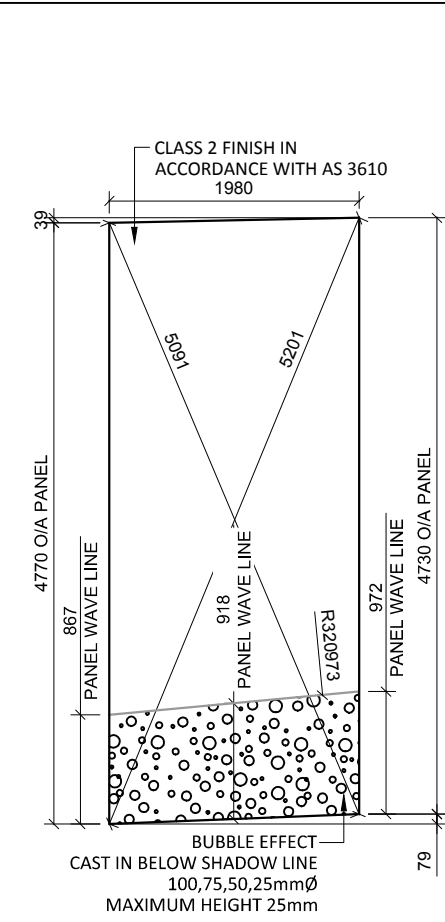
Contractor	Job	Project	Title	COPYRIGHT RESERVED	Drawn	NG	Date	20/12/18	Lot No. 163A
Designer	NORTHERN BEACHES COUNCIL NORTHERN BEACHES HOSPITAL CONNECTIVITY AND NETWORK ENHANCEMENT		BRIDGE OVER WARRINGAH ROAD AT HILMER STREET PRECAST FASCIA PANEL A1		Checked	HP	Scale (A3)	1:10 1:25 1:60	



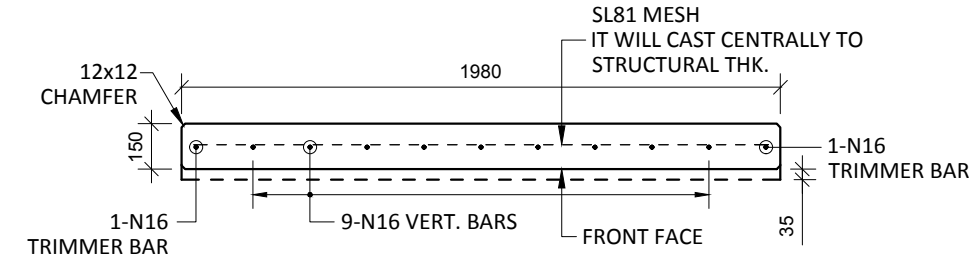
A2 PLAN AS CAST - 150/185 THK
SCALE :- 1:25 SL81 MESH IS NOT SHOWN FOR CLARITY



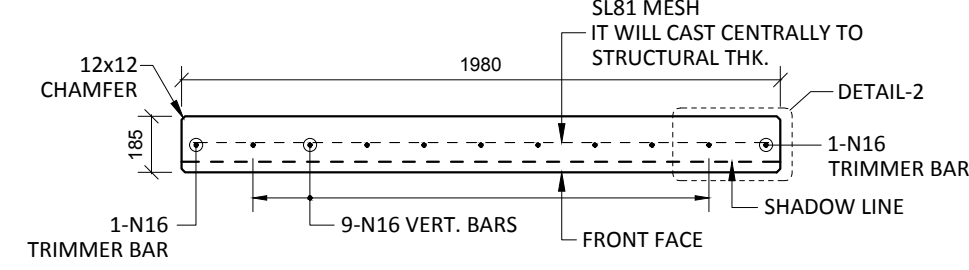
SECTION A-A
SCALE :- 1:25



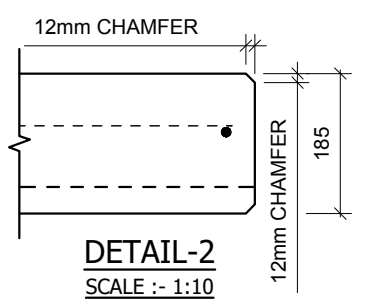
VIEWED AS CAST
SCALE :- 1:25



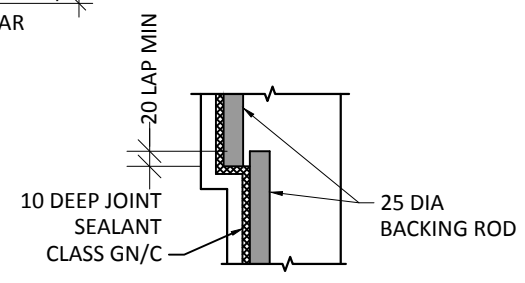
SECTION B-B
SCALE :- 1:25



SECTION C-C
SCALE :- 1:25



DETAIL-2
SCALE :- 1:10



DETAIL-1
SCALE :- 1:10

- NOTES.**
- CONCRETE**
- CONCRETE SHALL HAVE A MIN. 28 DAY COMPRESSIVE STRENGTH OF 40MPa.
 - PLACING AND CURING OF CONCRETE SHALL COMPLY WITH RMS D+C SPECIFICATION B80.
 - ALL CORNERS SHALL HAVE 12mmx12mm FILLETS OR CHAMFERS - U.N.O. ON DRAWINGS.
 - CONCRETE EXPOSURE CLASSIFICATION: B1 TO RMS D+C SPECIFICATION B80 UNO.
 - CONCRETE MIX SHALL BE IN ACCORDANCE WITH RMS D+C SPECIFICATION B80.
 - LIFTERS HDG & ALL FIXING ARE SS.

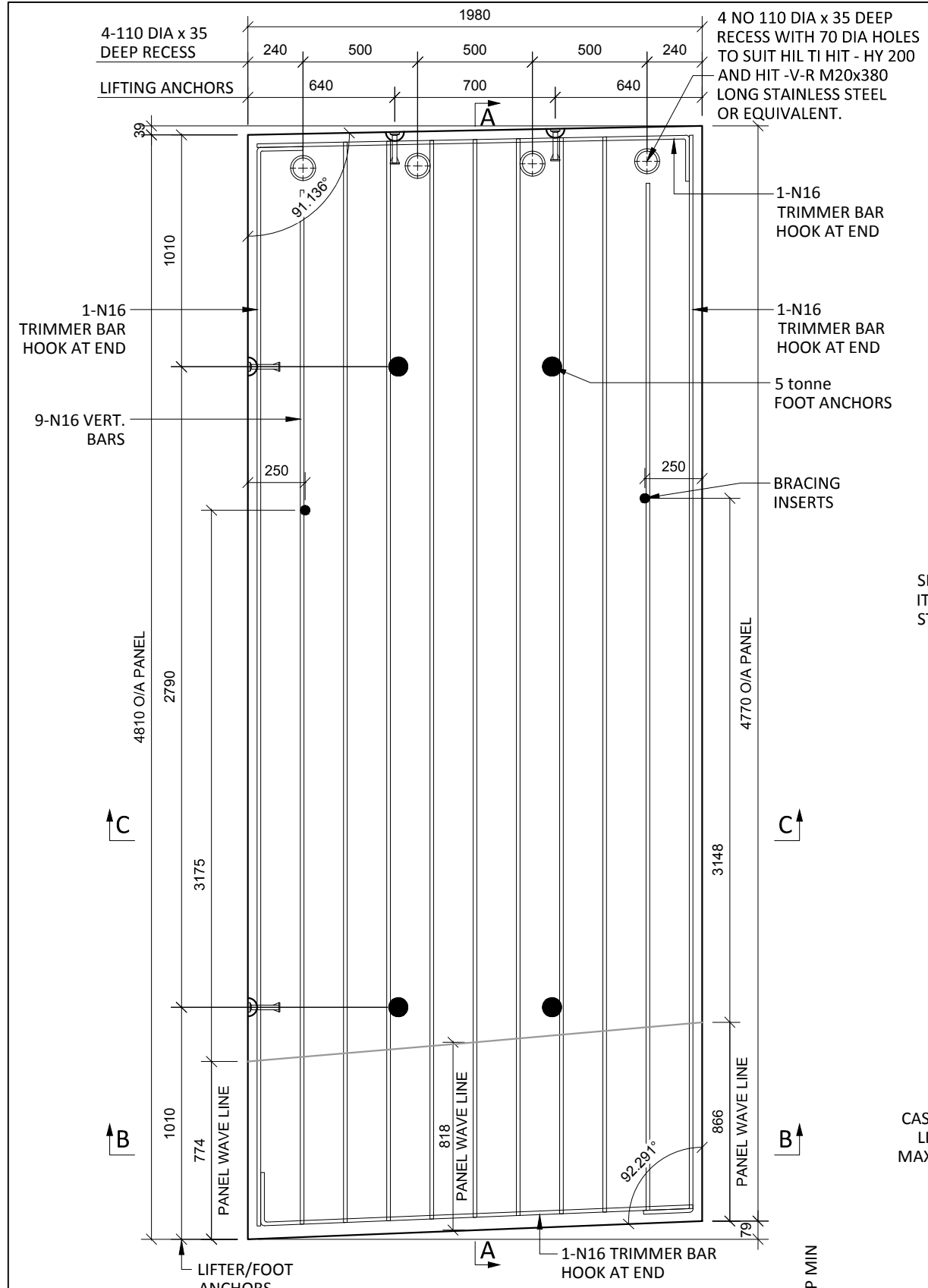
- REINFORCING**
- COVER: 40mm U.O.N
 - ALL REINFORCEMENT SHALL COMPLY WITH AS4671 GRADE D500N (TYPICAL).
 - SPACING: TO BE TAKEN AS EVEN UNLESS NOTED OTHERWISE.
 - BENDING: BAR BENDING & HOOK DETAILS SHALL BE IN ACCORDANCE WITH ASS100.5.
 - WHERE REBATES OR RECESSES ARE REQUIRED, MIN. CLEAR COVER TO THE REINFORCEMENT SHALL BE MAINTAINED.
 - N16 TRIMMER BARS TO BE PROVIDED ALL AROUND.
 - REINFORCEMENT MAY BE SHOWN DIAGRAMMATICALLY AND MAY NOT NECESSARILY BE IN TRUE PROJECTION. THE MINIMUM LAPPED SPLICE FOR MESH SHALL BE MADE SO THAT THE OUTERMOST CROSS BARS OF ONE SHEET OVERLAP THE TWO OUTERMOST BARS CROSS BARS OF THE SHEET BEING LAPPED AS SHOWN BELOW.
 - UNLESS OTHERWISE SPECIFIED, THE MINIMUM DEVELOPMENT LENGTHS AND LENGTHS OF LAPS SHALL BE AS FOLLOWS:

BAR SIZE:	N12	N16	N20	N24
a) HORIZONTAL BARS WITH >300mm OF CONCRETE CAST BELOW THE BAR	500	700	1000	1300
b) OTHER BARS	350	550	750	1000

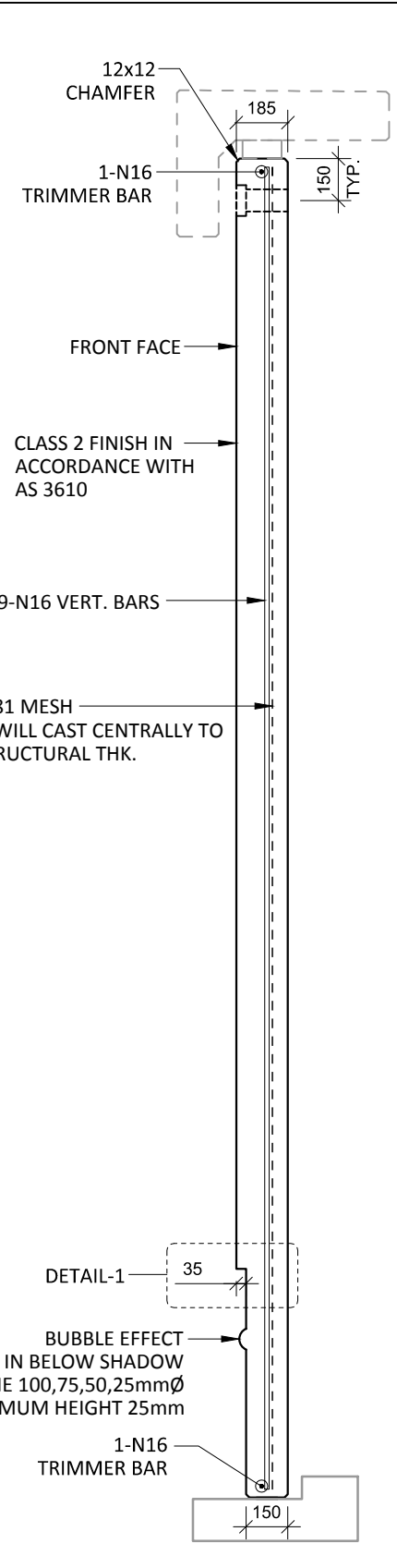
INSPECTION <input type="checkbox"/> TEST PLAN	
INSPECTED BY	
NAME OF FABRICATOR	
UNIT NO.	
CAST DATE	
CAST TIME	
CONCRETE DOCKET NO.	
CONCRETE SPECIF. (MPa)	
ITEM	FABRICATOR APPROVED INITIAL Y / N
MOULD CLEANLINESS	
RELEASE OIL	
DIMENSIONS	
FORMWORK FIXED	
OPENING / REBATES CORRECT <input type="checkbox"/> POSITION	
HOLD POINT	
REINFORCING CORRECT	
LAPS <input type="checkbox"/> SPLICES CORRECT	
SPACING <input type="checkbox"/> COVER CORRECT	
HOLD POINT	
LIFTERS POSITIONED CORRECTLY	
CAST - IN ITEMS	
STARTERS/CLACING BARS	
APPROVED FOR CASTING	
POST POUR INSPECTION	
INSPECTED BY	
DATE	
ITEM	APPROVED Y / N
SWIFTLIFTS POSITION	
SWIFTLIFTS RECESS CLEANED	
CAST-IN ITEMS CLEANED	
CONCRETE FINISH	
LABELLED (NUMBER / DATED)	
DAMAGE (CRACKS / CHIPPING)	
CLEANLINESS	
ANY ACTION REQUIRED: URBAN DESIGN PANEL FINISH/ BUBBLE EFFECT FINISH	
APPROVED FOR DISPATCH	
SLING ANGLE TO BE NOT LESS THAN 60° TO HORIZONTAL WHEN LIFTING	
40c TO ALL EDGES <input type="checkbox"/> FACES (UNO)	
Area (m ²)	9.40
Vol (m ³)	1.68
Wt. (t)	4.19
MPa	40MPa
FINISH	FRONT FACE URBAN DESIGN PANEL FINISH/ BUBBLE EFFECT FINISH
NO: OFF	1

REV.	DATE	DESCRIPTION	DRAWN	APPROVED
0	20/12/18	ISSUED FOR CONSTRUCTION	NG	

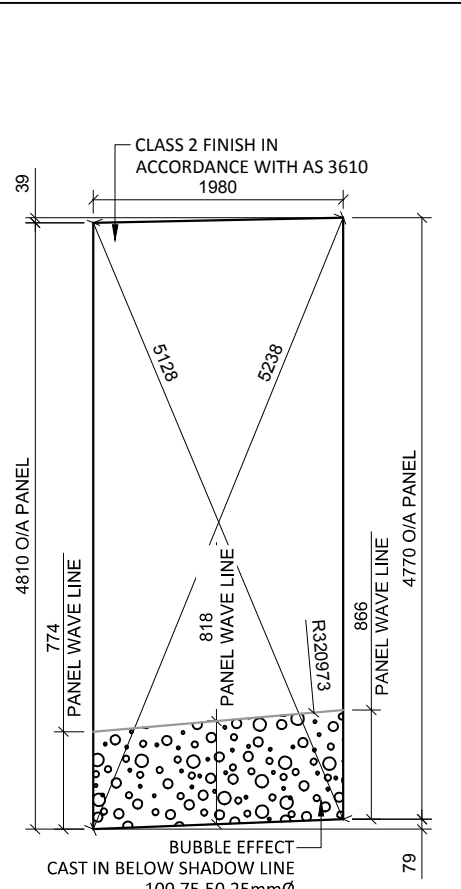
Contractor	Job	Project	Title	COPYRIGHT RESERVED	Drawn	NG	Date	20/12/18	Lot No.	163A
Designer	NORTHERN BEACHES COUNCIL NORTHERN BEACHES HOSPITAL CONNECTIVITY AND NETWORK ENHANCEMENT		BRIDGE OVER WARRINGAH ROAD AT HILMER STREET PRECAST FASCIA PANEL A2		Checked	HP	Scale (A3)	1:10 1:25 1:60	P-HS-A2	0



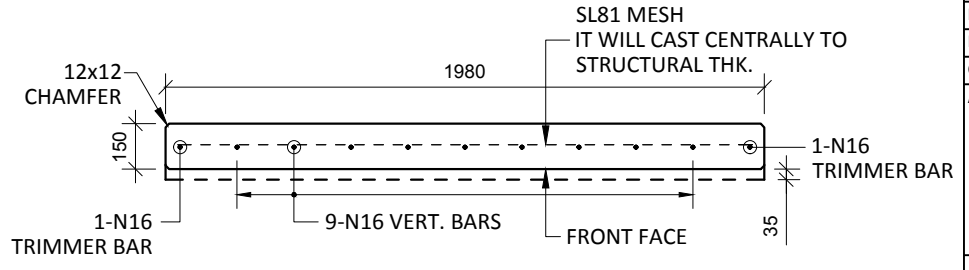
A3 PLAN AS CAST - 150/185 THK
SCALE :- 1:25 SL81 MESH IS NOT SHOWN FOR CLARITY



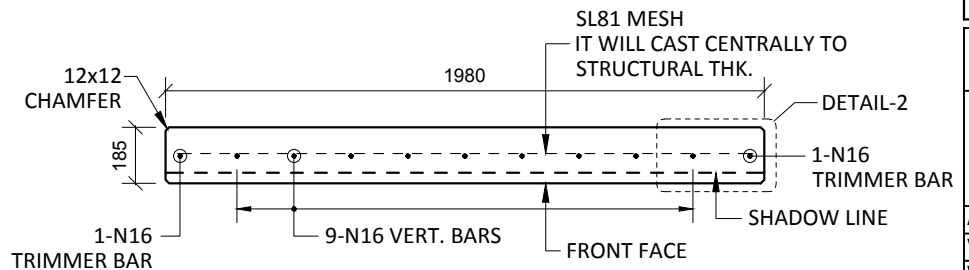
SECTION A-A
SCALE :- 1:25



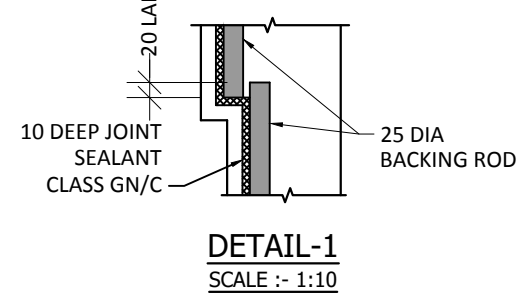
VIEWED AS CAST
SCALE :- 1:25



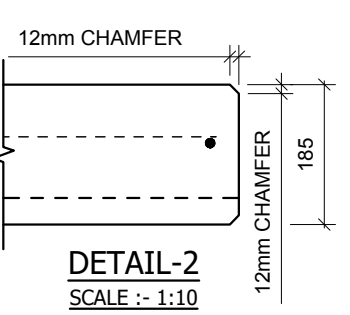
SECTION B-B
SCALE :- 1:25



SECTION C-C
SCALE :- 1:25



DETAIL-1
SCALE :- 1:10



DETAIL-2
SCALE :- 1:10

NOTES.
CONCRETE

- CONCRETE SHALL HAVE A MIN. 28 DAY COMPRESSIVE STRENGTH OF 40MPa.
- PLACING AND CURING OF CONCRETE SHALL COMPLY WITH RMS D+C SPECIFICATION B80.
- ALL CORNERS SHALL HAVE 12mmx12mm FILLETS OR CHAMFERS - U.N.O. ON DRAWINGS.
- CONCRETE EXPOSURE CLASSIFICATION: B1 TO RMS D+C SPECIFICATION B80 UNO.
- CONCRETE MIX SHALL BE IN ACCORDANCE WITH RMS D+C SPECIFICATION B80.
- LIFTERS HDG & ALL FIXING ARE SS.

REINFORCING

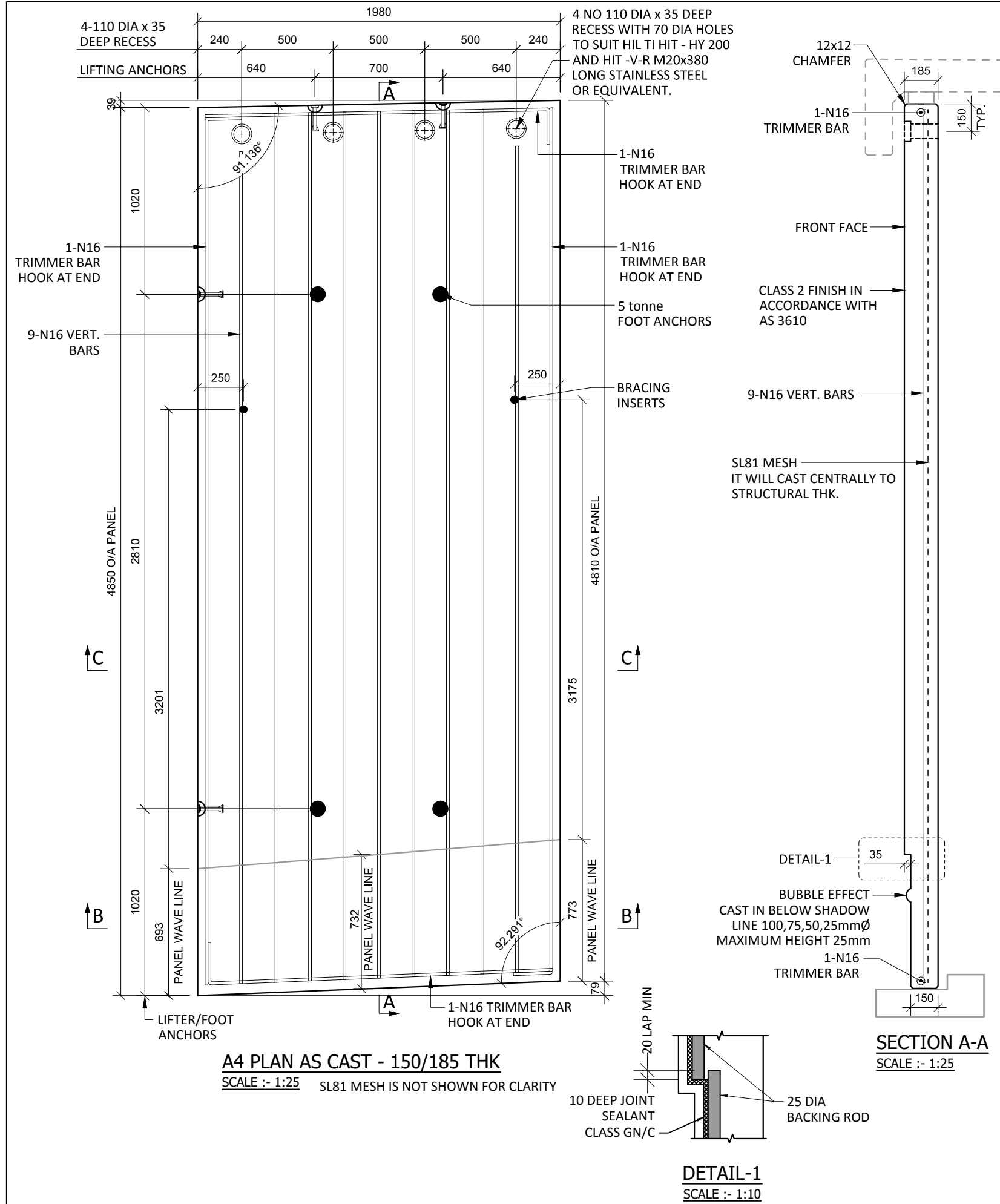
- COVER: 40mm U.O.N
- ALL REINFORCEMENT SHALL COMPLY WITH AS4671 GRADE D500N (TYPICAL).
- SPACING: TO BE TAKEN AS EVEN UNLESS NOTED OTHERWISE.
- BENDING: BAR BENDING & HOOK DETAILS SHALL BE IN ACCORDANCE WITH AS5100.5.
- WHERE REBATES OR RECESSES ARE REQUIRED, MIN. CLEAR COVER TO THE REINFORCEMENT SHALL BE MAINTAINED.
- N16 TRIMMER BARS TO BE PROVIDED ALL AROUND.
- REINFORCEMENT MAY BE SHOWN DIAGRAMMATICALLY AND MAY NOT NECESSARILY BE IN TRUE PROJECTION. THE MINIMUM LAPPED SPLICE FOR MESH SHALL BE MADE SO THAT THE OUTERMOST CROSS BARS OF ONE SHEET OVERLAP THE TWO OUTERMOST BARS CROSS BARS OF THE SHEET BEING LAPPED AS SHOWN BELOW.
- UNLESS OTHERWISE SPECIFIED, THE MINIMUM DEVELOPMENT LENGTHS AND LENGTHS OF LAPS SHALL BE AS FOLLOWS:

BAR SIZE:	N12	N16	N20	N24
a) HORIZONTAL BARS WITH >300mm OF CONCRETE CAST BELOW THE BAR	500	700	1000	1300
b) OTHER BARS	350	550	750	1000

INSPECTION <input type="checkbox"/> TEST PLAN	
INSPECTED BY	
NAME OF FABRICATOR	
UNIT NO.	
CAST DATE	
CAST TIME	
CONCRETE DOCKET NO.	
CONCRETE SPECIF. (MPa)	
ITEM	FABRICATOR APPROVED INITIAL Y / N
MOULD CLEANLINESS	
RELEASE OIL	
DIMENSIONS	
FORMWORK FIXED	
OPENING / REBATES CORRECT <input type="checkbox"/> POSITION	
HOLD POINT	
REINFORCING CORRECT	
LAPS <input type="checkbox"/> SPLICES CORRECT	
SPACING <input type="checkbox"/> COVER CORRECT	
HOLD POINT	
LIFTERS POSITIONED CORRECTLY	
CAST - IN ITEMS	
STARTERS/CLACING BARS	
APPROVED FOR CASTING	
POST POUR INSPECTION	
INSPECTED BY	
DATE	
ITEM	APPROVED Y / N
SWIFTLIFTS POSITION	
SWIFTLIFTS RECESS CLEANED	
CAST-IN ITEMS CLEANED	
CONCRETE FINISH	
LABELLED (NUMBER / DATED)	
DAMAGE (CRACKS / CHIPPING)	
CLEANLINESS	
ANY ACTION REQUIRED: URBAN DESIGN PANEL FINISH/ BUBBLE EFFECT FINISH	
APPROVED FOR DISPATCH	
SLING ANGLE TO BE NOT LESS THAN 60° TO HORIZONTAL WHEN LIFTING	
40c TO ALL EDGES <input type="checkbox"/> FACES (UNO)	
Area (m ²)	9.48
Vol (m ³)	1.70
Wt. (t)	4.24
MPa	40MPa
FINISH	FRONT FACE URBAN DESIGN PANEL FINISH/ BUBBLE EFFECT FINISH
NO: OFF	1

REV.	DATE	DESCRIPTION	DRAWN	APPROVED
0	20/12/18	ISSUED FOR CONSTRUCTION	NG	

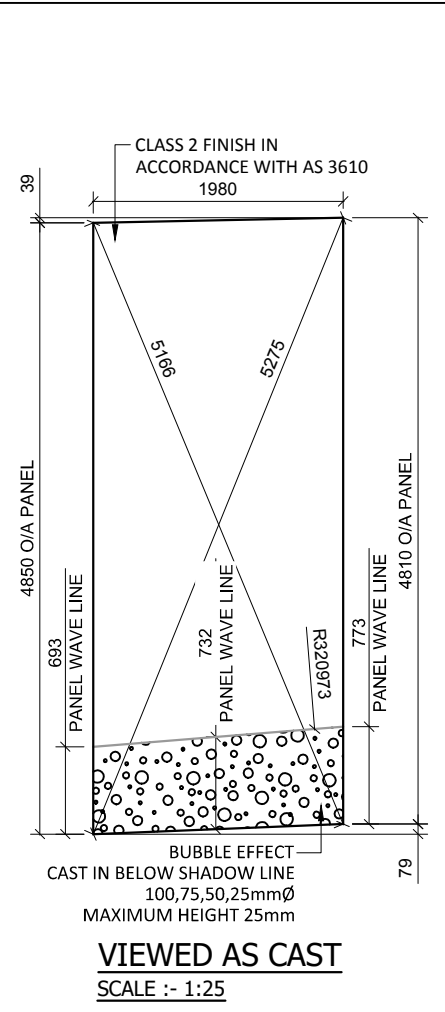
Contractor	Job	Project	Title	COPYRIGHT RESERVED	Drawn	NG	Date	20/12/18	Lot No.	163A
Designer	NORTHERN BEACHES COUNCIL NORTHERN BEACHES HOSPITAL CONNECTIVITY AND NETWORK ENHANCEMENT		BRIDGE OVER WARRINGAH ROAD AT HILMER STREET PRECAST FASCIA PANEL A3		Checked	HP	Scale (A3)	1:10 1:25 1:60	P-HS-A3	0



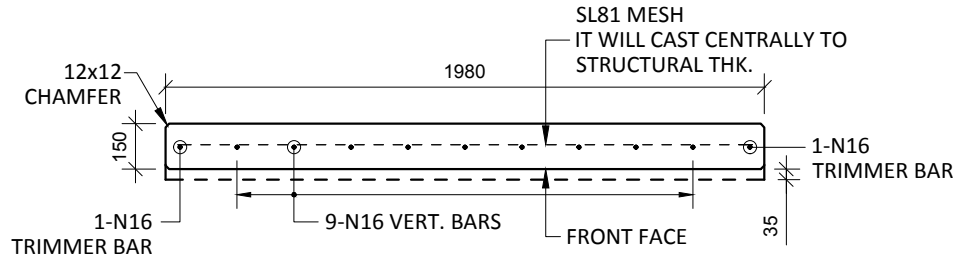
A4 PLAN AS CAST - 150/185 THK
SCALE :- 1:25

DETAIL-1
SCALE :- 1:10

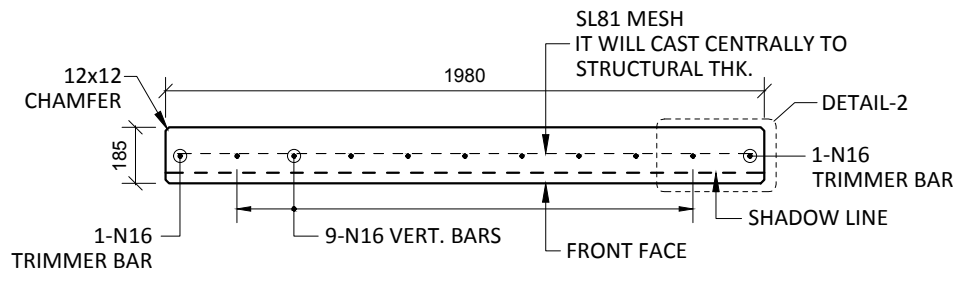
SECTION A-A
SCALE :- 1:25



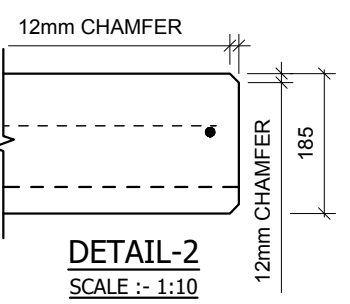
VIEWED AS CAST
SCALE :- 1:25



SECTION B-B
SCALE :- 1:25



SECTION C-C
SCALE :- 1:25



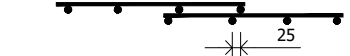
DETAIL-2
SCALE :- 1:10

NOTES.

- CONCRETE**
- CONCRETE SHALL HAVE A MIN. 28 DAY COMPRESSIVE STRENGTH OF 40MPa.
 - PLACING AND CURING OF CONCRETE SHALL COMPLY WITH RMS D+C SPECIFICATION B80.
 - ALL CORNERS SHALL HAVE 12mmx12mm FILLETS OR CHAMFERS - U.N.O. ON DRAWINGS.
 - CONCRETE EXPOSURE CLASSIFICATION: B1 TO RMS D+C SPECIFICATION B80 UNO.
 - CONCRETE MIX SHALL BE IN ACCORDANCE WITH RMS D+C SPECIFICATION B80.
 - LIFTERS HDG & ALL FIXING ARE SS.

REINFORCING

- COVER: 40mm U.O.N
- ALL REINFORCEMENT SHALL COMPLY WITH AS4671 GRADE D500N (TYPICAL).
- SPACING: TO BE TAKEN AS EVEN UNLESS NOTED OTHERWISE.
- BENDING: BAR BENDING & HOOK DETAILS SHALL BE IN ACCORDANCE WITH AS100.5.
- WHERE REBATES OR RECESSES ARE REQUIRED, MIN. CLEAR COVER TO THE REINFORCEMENT SHALL BE MAINTAINED.
- N16 TRIMMER BARS TO BE PROVIDED ALL AROUND.
- REINFORCEMENT MAY BE SHOWN DIAGRAMMATICALLY AND MAY NOT NECESSARILY BE IN TRUE PROJECTION. THE MINIMUM LAPPED SPLICE FOR MESH SHALL BE MADE SO THAT THE OUTERMOST CROSS BARS OF ONE SHEET OVERLAP THE TWO OUTERMOST BARS CROSS BARS OF THE SHEET BEING LAPPED AS SHOWN BELOW.



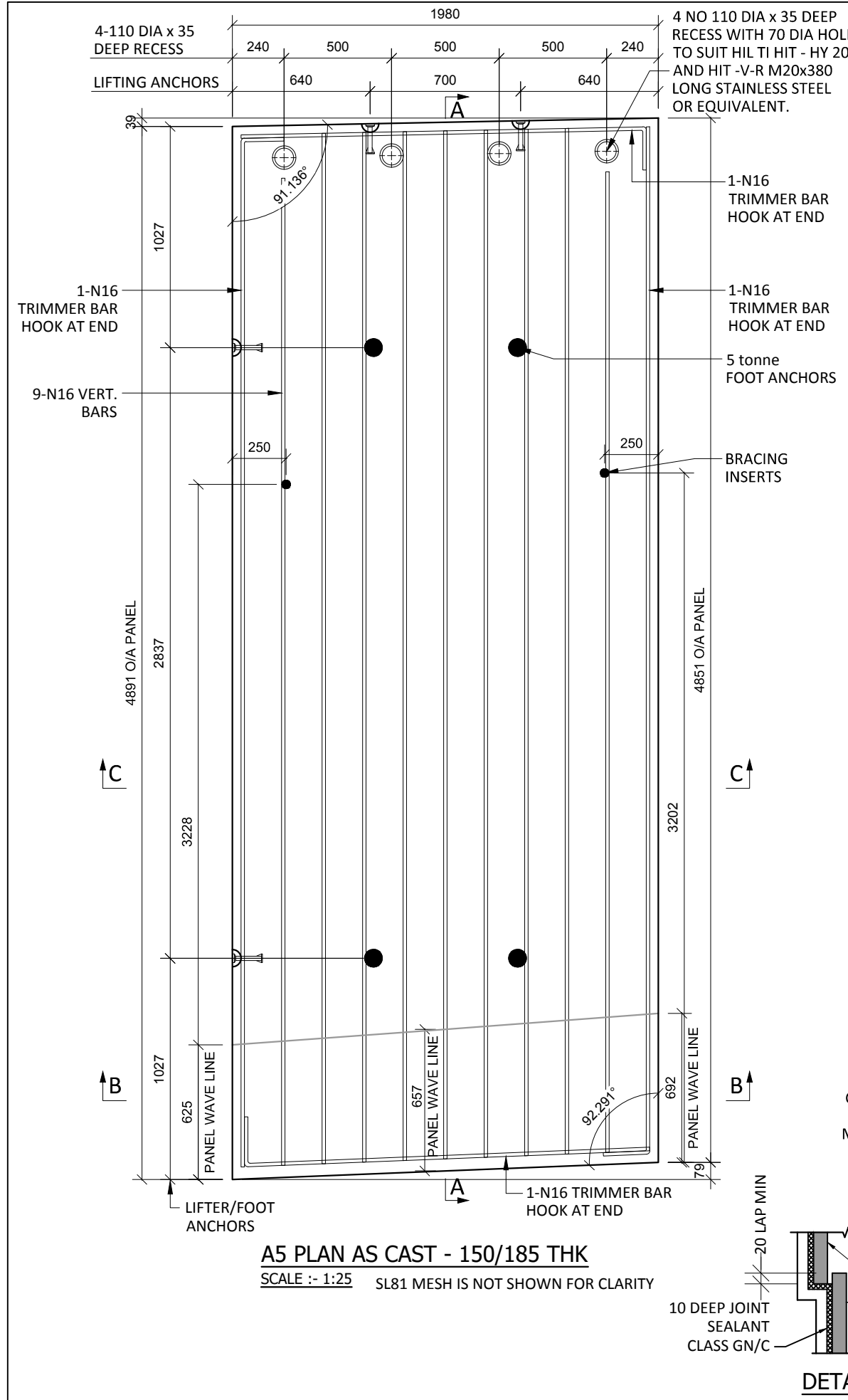
- UNLESS OTHERWISE SPECIFIED, THE MINIMUM DEVELOPMENT LENGTHS AND LENGTHS OF LAPS SHALL BE AS FOLLOWS:

BAR SIZE:	N12	N16	N20	N24
a) HORIZONTAL BARS WITH >300mm OF CONCRETE CAST BELOW THE BAR	500	700	1000	1300
b) OTHER BARS	350	550	750	1000

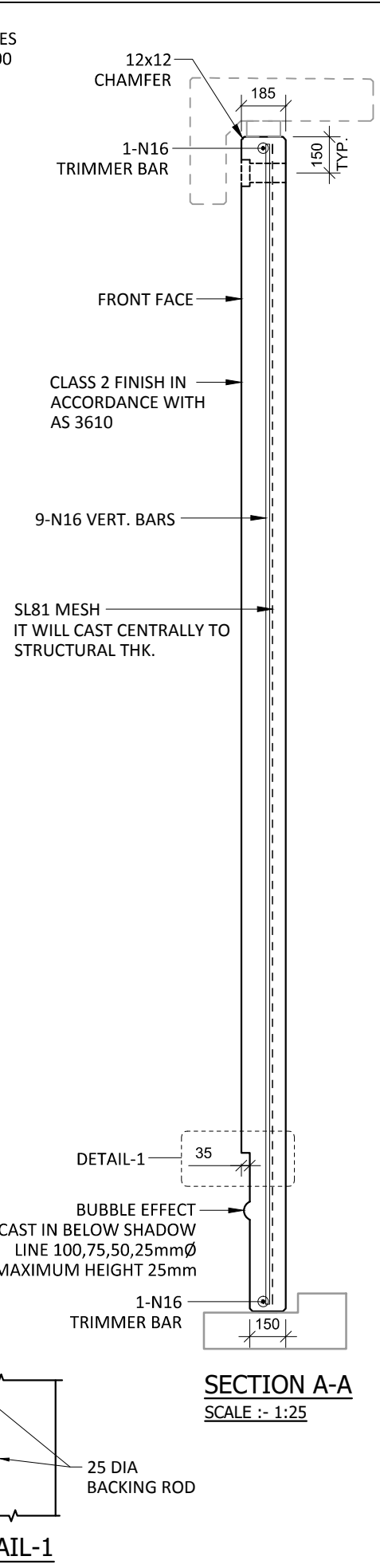
INSPECTION <input type="checkbox"/> TEST PLAN	
INSPECTED BY	
NAME OF FABRICATOR	
UNIT NO.	
CAST DATE	
CAST TIME	
CONCRETE DOCKET NO.	
CONCRETE SPECIF. (MPa)	
ITEM	FABRICATOR APPROVED INITIAL Y / N
MOULD CLEANLINESS	
RELEASE OIL	
DIMENSIONS	
FORMWORK FIXED	
OPENING / REBATES CORRECT <input type="checkbox"/> POSITION	
HOLD POINT	
REINFORCING CORRECT	
LAPS <input type="checkbox"/> SPLICES CORRECT	
SPACING <input type="checkbox"/> COVER CORRECT	
HOLD POINT	
LIFTERS POSITIONED CORRECTLY	
CAST - IN ITEMS	
STARTERS/CLACING BARS	
APPROVED FOR CASTING	
POST POUR INSPECTION	
INSPECTED BY	
DATE	
ITEM	APPROVED Y / N
SWIFTLIFTS POSITION	
SWIFTLIFTS RECESS CLEANED	
CAST-IN ITEMS CLEANED	
CONCRETE FINISH	
LABELLED (NUMBER / DATED)	
DAMAGE (CRACKS / CHIPPING)	
CLEANLINESS	
ANY ACTION REQUIRED: URBAN DESIGN PANEL FINISH/ BUBBLE EFFECT FINISH	
APPROVED FOR DISPATCH	
SLING ANGLE TO BE NOT LESS THAN 60° TO HORIZONTAL WHEN LIFTING	
40c TO ALL EDGES <input type="checkbox"/> FACES (UNO)	
Area (m ²)	9.56
Vol (m ³)	1.72
Wt. (t)	4.30
MPa	40MPa
FINISH	FRONT FACE URBAN DESIGN PANEL FINISH/ BUBBLE EFFECT FINISH
NO: OFF	1

REV.	DATE	DESCRIPTION	DRAWN	APPROVED
0	20/12/18	ISSUED FOR CONSTRUCTION	NG	

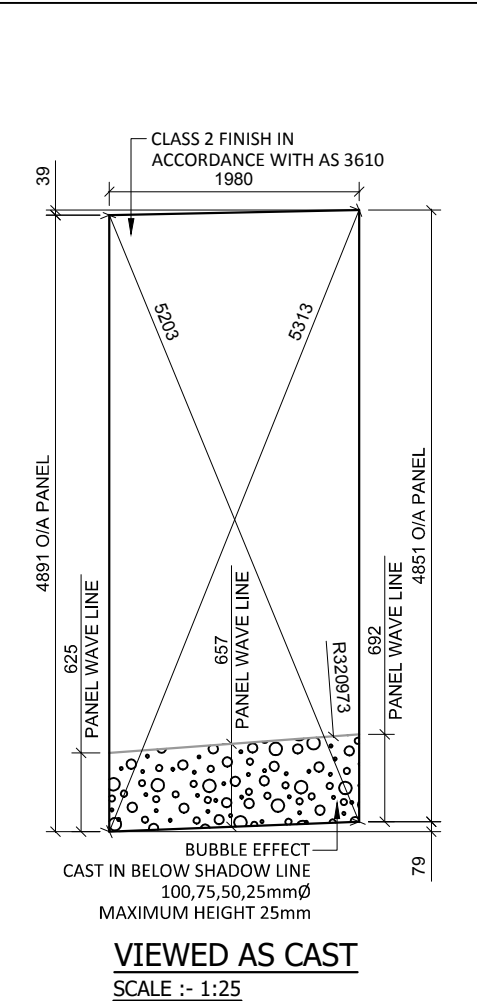
Contractor	Job	Project	Title	COPYRIGHT RESERVED	Drawn	NG	Date	20/12/18	Lot No.	163A
Designer	NORTHERN BEACHES COUNCIL NORTHERN BEACHES HOSPITAL CONNECTIVITY AND NETWORK ENHANCEMENT		BRIDGE OVER WARRINGAH ROAD AT HILMER STREET PRECAST FASCIA PANEL A4		Checked	HP	Scale (A3)	1:10 1:25 1:60	P-HS-A4	0



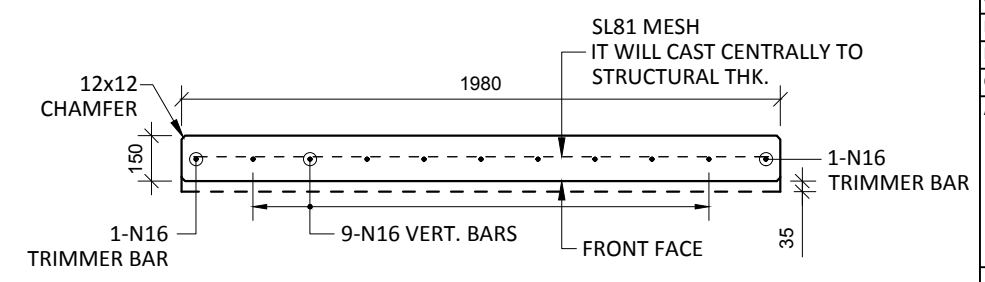
A5 PLAN AS CAST - 150/185 THK
SCALE :- 1:25 SL81 MESH IS NOT SHOWN FOR CLARITY



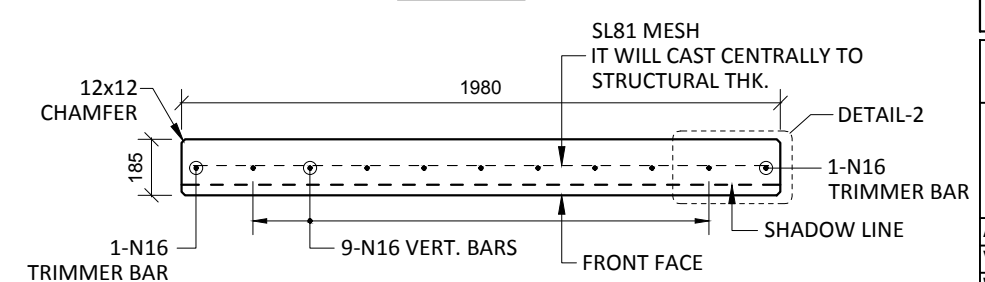
SECTION A-A
SCALE :- 1:25



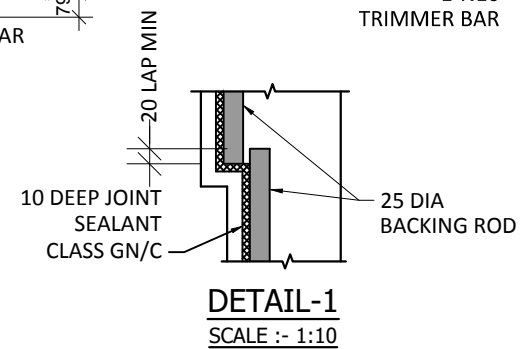
VIEWED AS CAST
SCALE :- 1:25



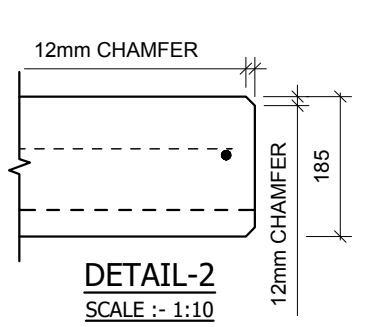
SECTION B-B
SCALE :- 1:25



SECTION C-C
SCALE :- 1:25



DETAIL-1
SCALE :- 1:10



DETAIL-2
SCALE :- 1:10

- NOTES.**
CONCRETE
- CONCRETE SHALL HAVE A MIN. 28 DAY COMPRESSIVE STRENGTH OF 40MPa.
 - PLACING AND CURING OF CONCRETE SHALL COMPLY WITH RMS D+C SPECIFICATION B80.
 - ALL CORNERS SHALL HAVE 12mmx12mm FILLETS OR CHAMFERS - U.N.O. ON DRAWINGS.
 - CONCRETE EXPOSURE CLASSIFICATION: B1 TO RMS D+C SPECIFICATION B80 UNO.
 - CONCRETE MIX SHALL BE IN ACCORDANCE WITH RMS D+C SPECIFICATION B80.
 - LIFTERS HDG & ALL FIXING ARE SS.

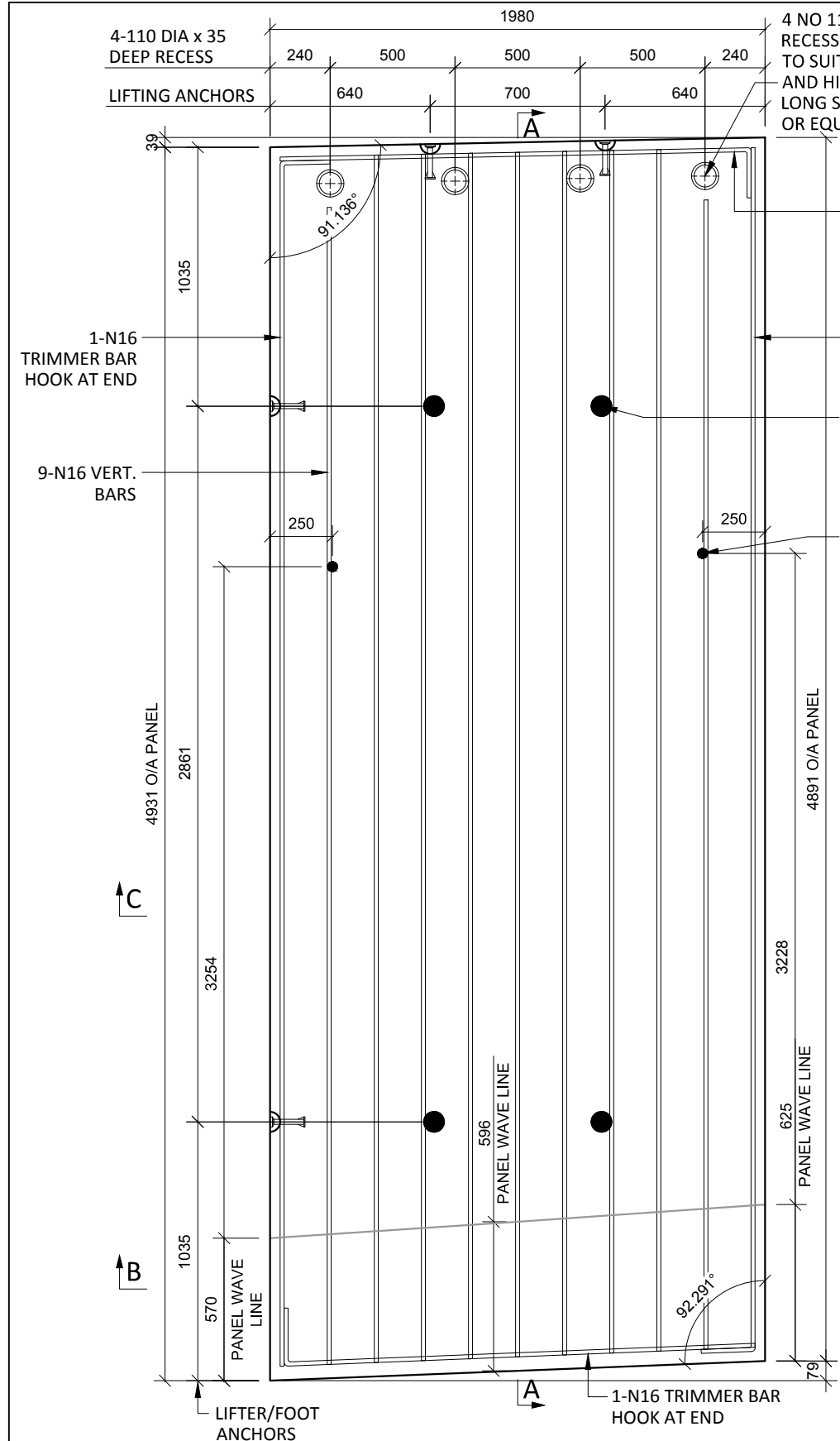
- REINFORCING**
- COVER: 40mm U.O.N
 - ALL REINFORCEMENT SHALL COMPLY WITH AS4671 GRADE D500N (TYPICAL).
 - SPACING: TO BE TAKEN AS EVEN UNLESS NOTED OTHERWISE.
 - BENDING: BAR BENDING & HOOK DETAILS SHALL BE IN ACCORDANCE WITH ASS100.5.
 - WHERE REBATES OR RECESSES ARE REQUIRED, MIN. CLEAR COVER TO THE REINFORCEMENT SHALL BE MAINTAINED.
 - N16 TRIMMER BARS TO BE PROVIDED ALL AROUND.
 - REINFORCEMENT MAY BE SHOWN DIAGRAMMATICALLY AND MAY NOT NECESSARILY BE IN TRUE PROJECTION. THE MINIMUM LAPPED SPLICE FOR MESH SHALL BE MADE SO THAT THE OUTERMOST CROSS BARS OF ONE SHEET OVERLAP THE TWO OUTERMOST BARS CROSS BARS OF THE SHEET BEING LAPPED AS SHOWN BELOW.
 - UNLESS OTHERWISE SPECIFIED, THE MINIMUM DEVELOPMENT LENGTHS AND LENGTHS OF LAPS SHALL BE AS FOLLOWS:

BAR SIZE:	N12	N16	N20	N24
a) HORIZONTAL BARS WITH >300mm OF CONCRETE CAST BELOW THE BAR	500	700	1000	1300
b) OTHER BARS	350	550	750	1000

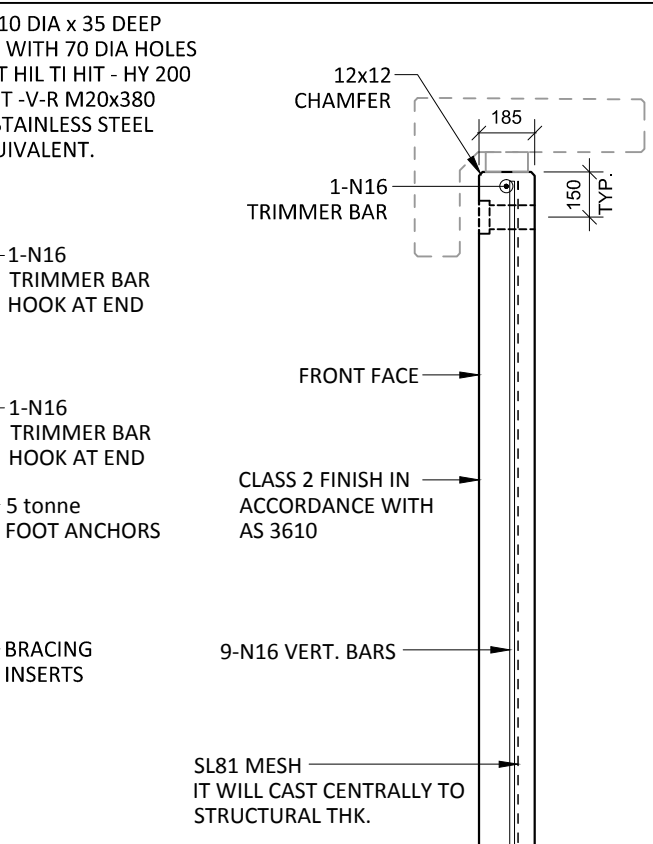
INSPECTION <input type="checkbox"/> TEST PLAN	
INSPECTED BY	
NAME OF FABRICATOR	
UNIT NO.	
CAST DATE	
CAST TIME	
CONCRETE DOCKET NO.	
CONCRETE SPECIF. (MPa)	
ITEM	FABRICATOR APPROVED INITIAL Y / N
MOULD CLEANLINESS	
RELEASE OIL	
DIMENSIONS	
FORMWORK FIXED	
OPENING / REBATES CORRECT <input type="checkbox"/> POSITION	
HOLD POINT	
REINFORCING CORRECT	
LAPS <input type="checkbox"/> SPLICES CORRECT	
SPACING <input type="checkbox"/> COVER CORRECT	
HOLD POINT	
LIFTERS POSITIONED CORRECTLY	
CAST - IN ITEMS	
STARTERS/CLACING BARS	
APPROVED FOR CASTING	
POST POUR INSPECTION	
INSPECTED BY	
DATE	
ITEM	APPROVED Y / N
SWIFTLIFTS POSITION	
SWIFTLIFTS RECESS CLEANED	
CAST-IN ITEMS CLEANED	
CONCRETE FINISH	
LABELLED (NUMBER / DATED)	
DAMAGE (CRACKS / CHIPPING)	
CLEANLINESS	
ANY ACTION REQUIRED: URBAN DESIGN PANEL FINISH/ BUBBLE EFFECT FINISH	
APPROVED FOR DISPATCH	
SLING ANGLE TO BE NOT LESS THAN 60° TO HORIZONTAL WHEN LIFTING	
40c TO ALL EDGES <input type="checkbox"/> FACES (UNO)	
Area (m ²)	9.64
Vol (m ³)	1.74
Wt. (t)	4.35
MPa	40MPa
FINISH	FRONT FACE URBAN DESIGN PANEL FINISH/ BUBBLE EFFECT FINISH
NO: OFF	1

REV.	DATE	DESCRIPTION	DRAWN	APPROVED
0	20/12/18	ISSUED FOR CONSTRUCTION	NG	

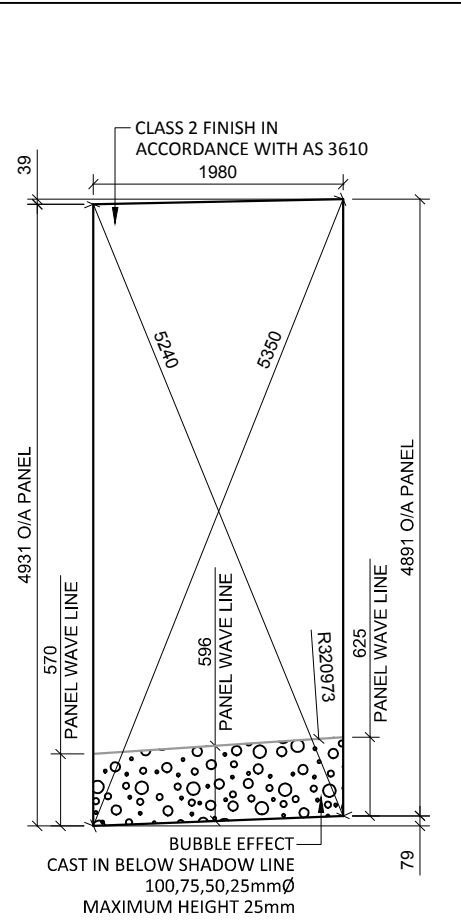
Contractor	Job	Project	Title	COPYRIGHT RESERVED	Drawn	NG	Date	20/12/18	Lot No.	163A
Designer	NORTHERN BEACHES COUNCIL NORTHERN BEACHES HOSPITAL CONNECTIVITY AND NETWORK ENHANCEMENT		BRIDGE OVER WARRINGAH ROAD AT HILMER STREET PRECAST FASCIA PANEL A5		Checked	HP	Scale (A3)	1:10 1:25 1:60	P-HS-A5	0



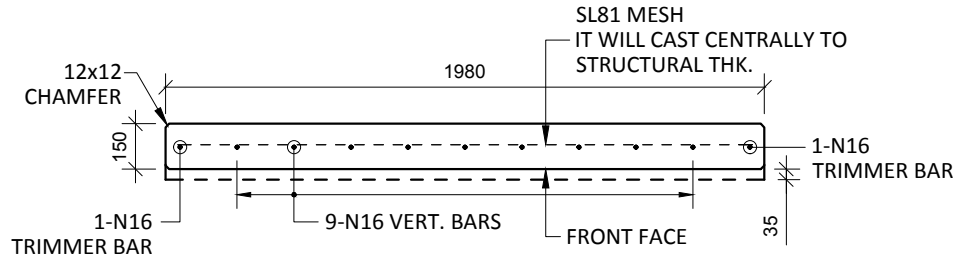
A6 PLAN AS CAST - 150/185 THK
SCALE :- 1:25 SL81 MESH IS NOT SHOWN FOR CLARITY



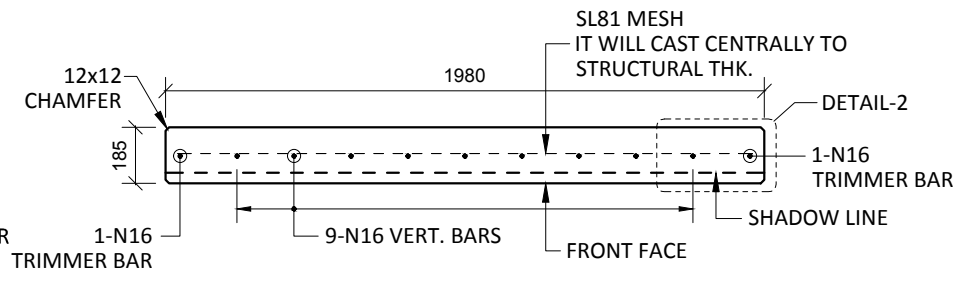
SECTION A-A
SCALE :- 1:25



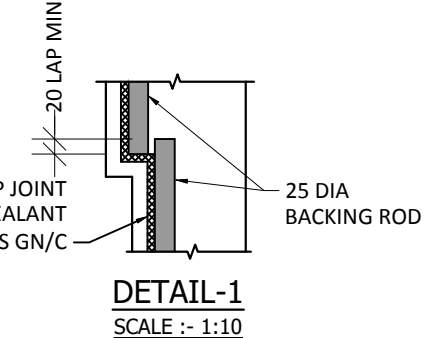
VIEWED AS CAST
SCALE :- 1:25



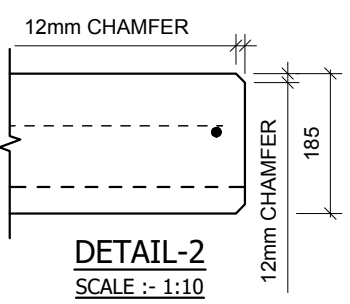
SECTION B-B
SCALE :- 1:25



SECTION C-C
SCALE :- 1:25



DETAIL-1
SCALE :- 1:10



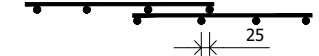
DETAIL-2
SCALE :- 1:10

NOTES.
CONCRETE

- CONCRETE SHALL HAVE A MIN. 28 DAY COMPRESSIVE STRENGTH OF 40MPa.
- PLACING AND CURING OF CONCRETE SHALL COMPLY WITH RMS D+C SPECIFICATION B80.
- ALL CORNERS SHALL HAVE 12mmx12mm FILLETS OR CHAMFERS - U.N.O. ON DRAWINGS.
- CONCRETE EXPOSURE CLASSIFICATION: B1 TO RMS D+C SPECIFICATION B80 UNO.
- CONCRETE MIX SHALL BE IN ACCORDANCE WITH RMS D+C SPECIFICATION B80.
- LIFTERS HDG & ALL FIXING ARE SS.

REINFORCING

- COVER: 40mm U.O.N
- ALL REINFORCEMENT SHALL COMPLY WITH AS4671 GRADE D500N (TYPICAL).
- SPACING: TO BE TAKEN AS EVEN UNLESS NOTED OTHERWISE.
- BENDING: BAR BENDING & HOOK DETAILS SHALL BE IN ACCORDANCE WITH ASS100.5.
- WHERE REBATES OR RECESSES ARE REQUIRED, MIN. CLEAR COVER TO THE REINFORCEMENT SHALL BE MAINTAINED.
- N16 TRIMMER BARS TO BE PROVIDED ALL AROUND.
- REINFORCEMENT MAY BE SHOWN DIAGMATICALLY AND MAY NOT NECESSARILY BE IN TRUE PROJECTION. THE MINIMUM LAPPED SPLICE FOR MESH SHALL BE MADE SO THAT THE OUTERMOST CROSS BARS OF ONE SHEET OVERLAP THE TWO OUTERMOST BARS CROSS BARS OF THE SHEET BEING LAPPED AS SHOWN BELOW.



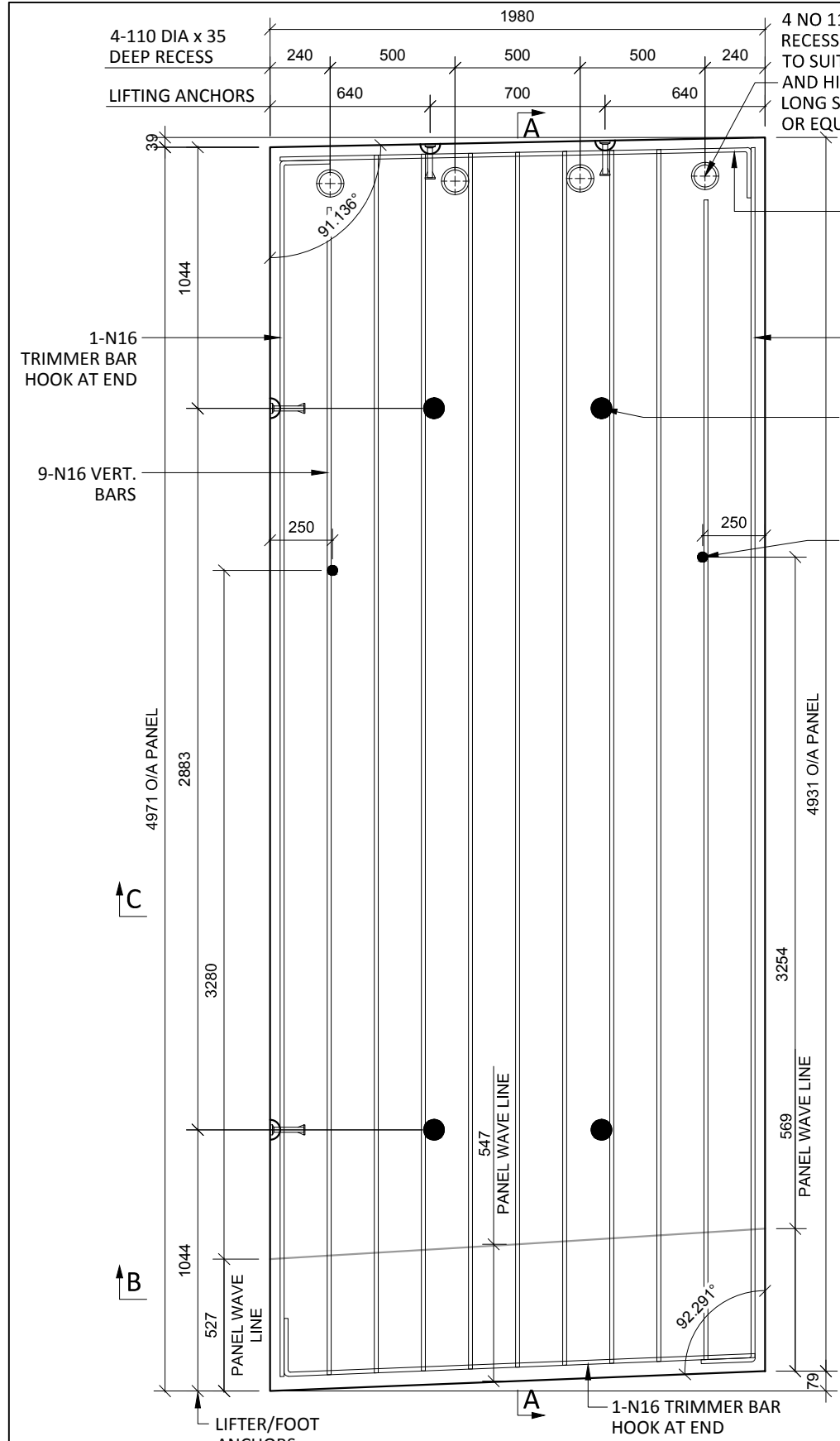
- UNLESS OTHERWISE SPECIFIED, THE MINIMUM DEVELOPMENT LENGTHS AND LENGTHS OF LAPS SHALL BE AS FOLLOWS:

BAR SIZE:	N12	N16	N20	N24
a) HORIZONTAL BARS WITH >300mm OF CONCRETE CAST BELOW THE BAR	500	700	1000	1300
b) OTHER BARS	350	550	750	1000

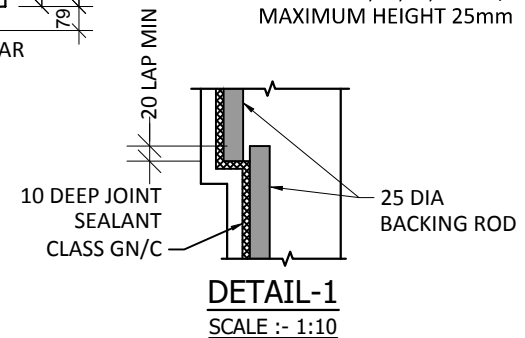
INSPECTION <input type="checkbox"/> TEST PLAN	
INSPECTED BY	
NAME OF FABRICATOR	
UNIT NO.	
CAST DATE	
CAST TIME	
CONCRETE DOCKET NO.	
CONCRETE SPECIF. (MPa)	
ITEM	FABRICATOR APPROVED INITIAL Y / N
MOULD CLEANLINESS	
RELEASE OIL	
DIMENSIONS	
FORMWORK FIXED	
OPENING / REBATES CORRECT <input type="checkbox"/> POSITION	
HOLD POINT	
REINFORCING CORRECT	
LAPS <input type="checkbox"/> SPLICES CORRECT	
SPACING <input type="checkbox"/> COVER CORRECT	
HOLD POINT	
LIFTERS POSITIONED CORRECTLY	
CAST - IN ITEMS	
STARTERS <input type="checkbox"/> CLACING BARS	
APPROVED FOR CASTING	
POST POUR INSPECTION	
INSPECTED BY	
DATE	
ITEM	APPROVED Y / N
SWIFTLIFTS POSITION	
SWIFTLIFTS RECESS CLEANED	
CAST-IN ITEMS CLEANED	
CONCRETE FINISH	
LABELLED (NUMBER / DATED)	
DAMAGE (CRACKS / CHIPPING)	
CLEANLINESS	
ANY ACTION REQUIRED: URBAN DESIGN PANEL FINISH/ BUBBLE EFFECT FINISH	
APPROVED FOR DISPATCH	
SLING ANGLE TO BE NOT LESS THAN 60° TO HORIZONTAL WHEN LIFTING	
40c TO ALL EDGES <input type="checkbox"/> FACES (UNO)	
Area (m ²)	9.72
Vol (m ³)	1.76
Wt. (t)	4.39
MPa	40MPa
FINISH	FRONT FACE URBAN DESIGN PANEL FINISH/ BUBBLE EFFECT FINISH
NO: OFF	1

REV.	DATE	DESCRIPTION	DRAWN	APPROVED
0	20/12/18	ISSUED FOR CONSTRUCTION	NG	

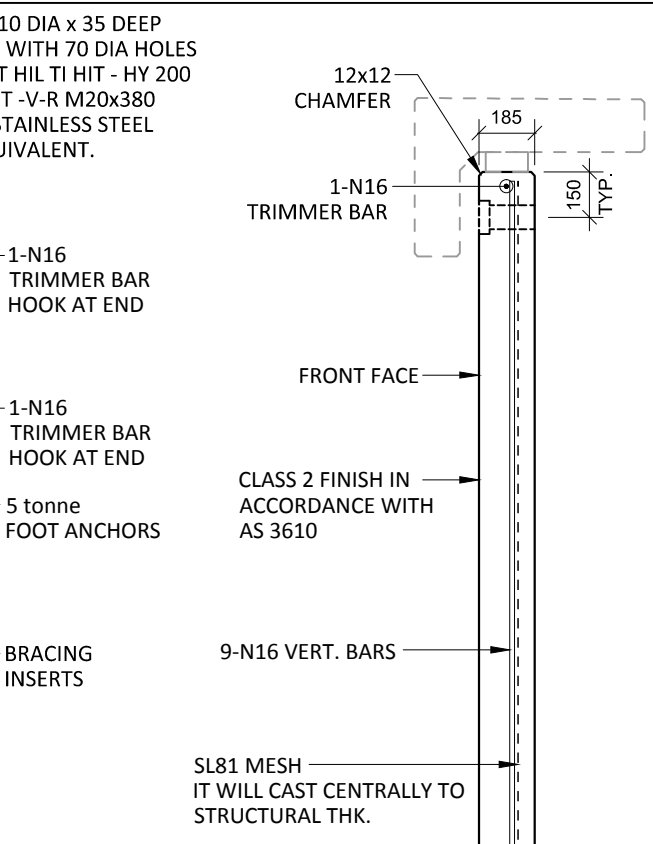
Contractor	Job	Project	Title	COPYRIGHT RESERVED	Drawn	NG	Date	20/12/18	Lot No.	163A
Designer	NORTHERN BEACHES COUNCIL NORTHERN BEACHES HOSPITAL CONNECTIVITY AND NETWORK ENHANCEMENT		BRIDGE OVER WARRINGAH ROAD AT HILMER STREET PRECAST FASCIA PANEL A6		Checked	HP	Scale (A3)	1:10 1:25 1:60	P-HS-A6	0



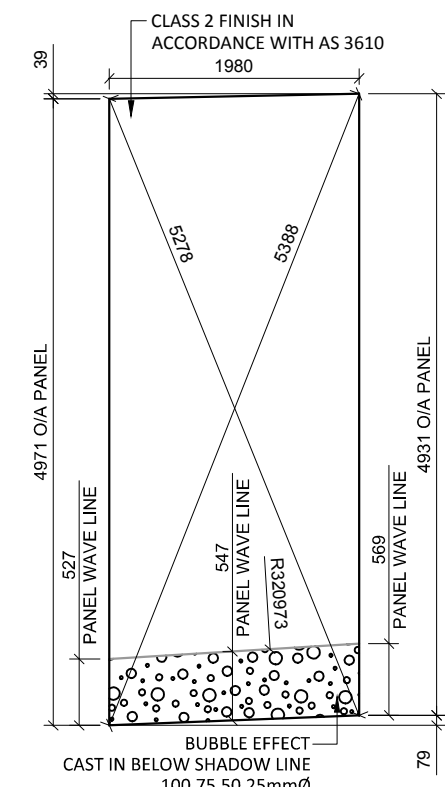
A7 PLAN AS CAST - 150/185 THK
SCALE :- 1:25 SL81 MESH IS NOT SHOWN FOR CLARITY



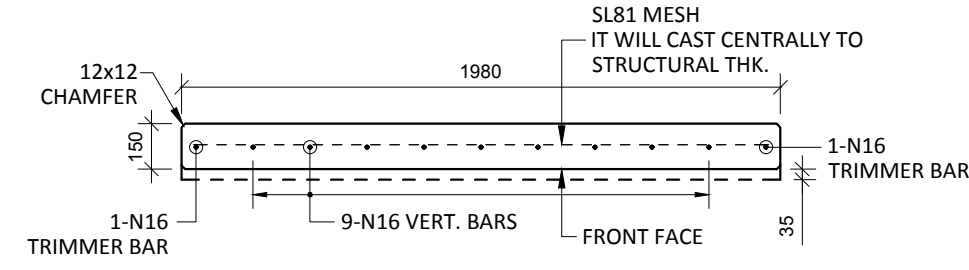
DETAIL-1
SCALE :- 1:10



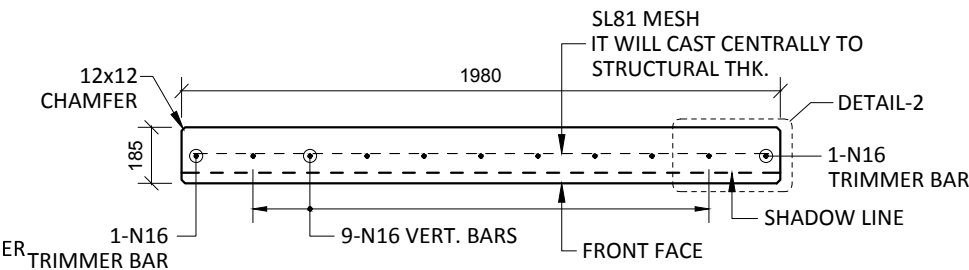
SECTION A-A
SCALE :- 1:25



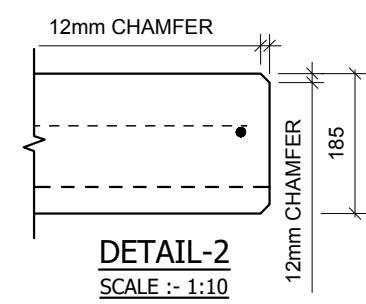
VIEWED AS CAST
SCALE :- 1:25



SECTION B-B
SCALE :- 1:25



SECTION C-C
SCALE :- 1:25



DETAIL-2
SCALE :- 1:10

- NOTES.**
CONCRETE
- CONCRETE SHALL HAVE A MIN. 28 DAY COMPRESSIVE STRENGTH OF 40MPa.
 - PLACING AND CURING OF CONCRETE SHALL COMPLY WITH RMS D+C SPECIFICATION B80.
 - ALL CORNERS SHALL HAVE 12mmx12mm FILLETS OR CHAMFERS - U.N.O. ON DRAWINGS.
 - CONCRETE EXPOSURE CLASSIFICATION: B1 TO RMS D+C SPECIFICATION B80 UNO.
 - CONCRETE MIX SHALL BE IN ACCORDANCE WITH RMS D+C SPECIFICATION B80.
 - LIFTERS HDG & ALL FIXING ARE SS.

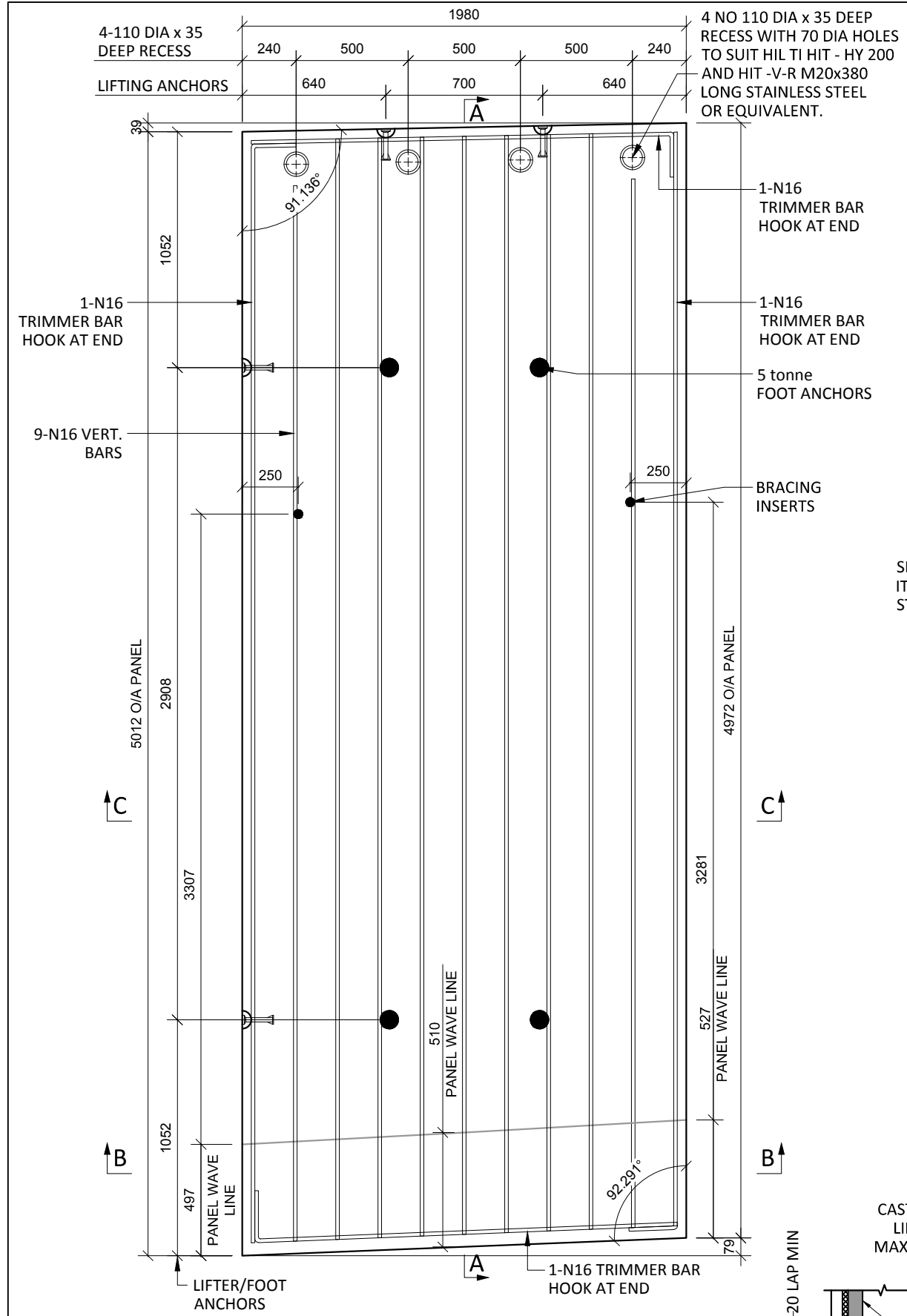
- REINFORCING**
- COVER: 40mm U.O.N
 - ALL REINFORCEMENT SHALL COMPLY WITH AS4671 GRADE D500N (TYPICAL).
 - SPACING: TO BE TAKEN AS EVEN UNLESS NOTED OTHERWISE.
 - BENDING: BAR BENDING & HOOK DETAILS SHALL BE IN ACCORDANCE WITH AS5100.5.
 - WHERE REBATES OR RECESSES ARE REQUIRED, MIN. CLEAR COVER TO THE REINFORCEMENT SHALL BE MAINTAINED.
 - N16 TRIMMER BARS TO BE PROVIDED ALL AROUND.
 - REINFORCEMENT MAY BE SHOWN DIAGMATICALLY AND MAY NOT NECESSARILY BE IN TRUE PROJECTION. THE MINIMUM LAPPED SPLICE FOR MESH SHALL BE MADE SO THAT THE OUTERMOST CROSS BARS OF ONE SHEET OVERLAP THE TWO OUTERMOST BARS CROSS BARS OF THE SHEET BEING LAPPED AS SHOWN BELOW.
 - UNLESS OTHERWISE SPECIFIED, THE MINIMUM DEVELOPMENT LENGTHS AND LENGTHS OF LAPS SHALL BE AS FOLLOWS:

BAR SIZE:	N12	N16	N20	N24
a) HORIZONTAL BARS WITH >300mm OF CONCRETE CAST BELOW THE BAR	500	700	1000	1300
b) OTHER BARS	350	550	750	1000

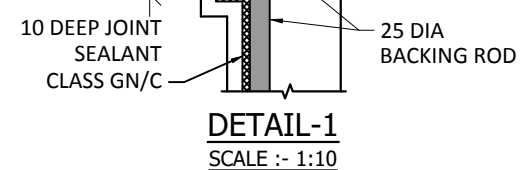
INSPECTION <input type="checkbox"/> TEST PLAN	
INSPECTED BY	
NAME OF FABRICATOR	
UNIT NO.	
CAST DATE	
CAST TIME	
CONCRETE DOCKET NO.	
CONCRETE SPECIF. (MPa)	
ITEM	FABRICATOR APPROVED INITIAL Y / N
MOULD CLEANLINESS	
RELEASE OIL	
DIMENSIONS	
FORMWORK FIXED	
OPENING / REBATES CORRECT <input type="checkbox"/> POSITION	
HOLD POINT	
REINFORCING CORRECT	
LAPS <input type="checkbox"/> SPLICES CORRECT	
SPACING <input type="checkbox"/> COVER CORRECT	
HOLD POINT	
LIFTERS POSITIONED CORRECTLY	
CAST - IN ITEMS	
STARTERS/CLACING BARS	
APPROVED FOR CASTING	
POST POUR INSPECTION	
INSPECTED BY	
DATE	
ITEM	APPROVED Y / N
SWIFTLIFTS POSITION	
SWIFTLIFTS RECESS CLEANED	
CAST-IN ITEMS CLEANED	
CONCRETE FINISH	
LABELLED (NUMBER / DATED)	
DAMAGE (CRACKS / CHIPPING)	
CLEANLINESS	
ANY ACTION REQUIRED: URBAN DESIGN PANEL FINISH/ BUBBLE EFFECT FINISH	
APPROVED FOR DISPATCH	
SLING ANGLE TO BE NOT LESS THAN 60° TO HORIZONTAL WHEN LIFTING	
40c TO ALL EDGES <input type="checkbox"/> FACES (UNO)	
Area (m ²)	9.80
Vol (m ³)	1.78
Wt. (t)	4.44
MPa	40MPa
FINISH	FRONT FACE URBAN DESIGN PANEL FINISH/ BUBBLE EFFECT FINISH
NO: OFF	1

REV.	DATE	DESCRIPTION	DRAWN	APPROVED
0	20/12/18	ISSUED FOR CONSTRUCTION	NG	

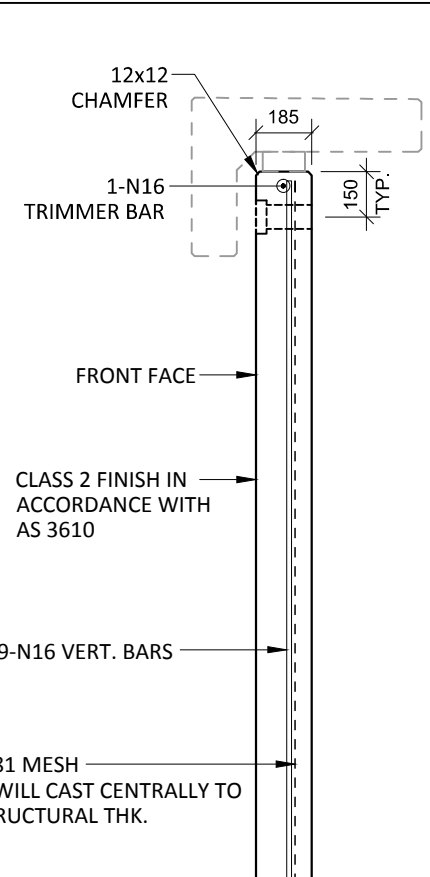
Contractor	Job	Project	Title	COPYRIGHT RESERVED	Drawn	NG	Date	20/12/18	Lot No.	163A
Designer	NORTHERN BEACHES COUNCIL NORTHERN BEACHES HOSPITAL CONNECTIVITY AND NETWORK ENHANCEMENT	BRIDGE OVER WARRINGAH ROAD AT HILMER STREET PRECAST FASCIA PANEL A7	Checked		HP	Scale (A3)	1:10 1:25 1:60	P-HS-A7	0	REV.



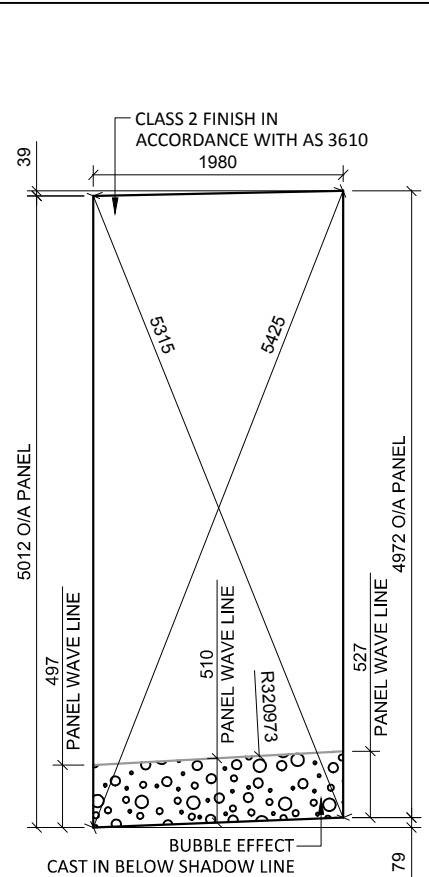
A8 PLAN AS CAST - 150/185 THK
SCALE :- 1:25



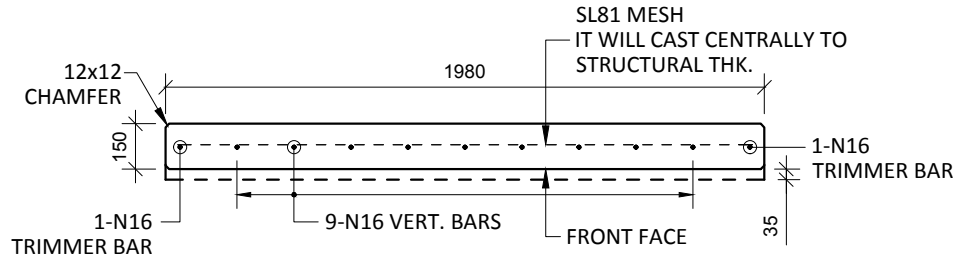
DETAIL-1
SCALE :- 1:10



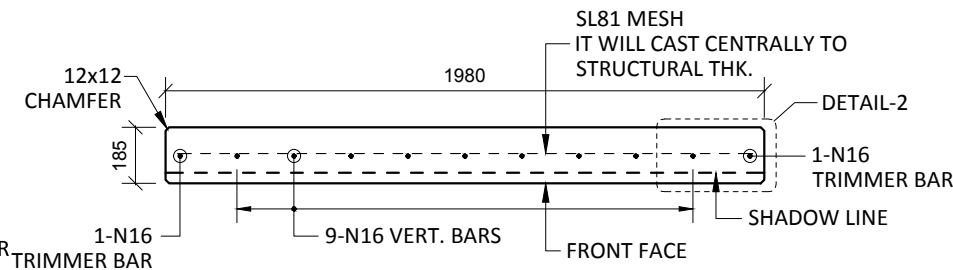
SECTION A-A
SCALE :- 1:25



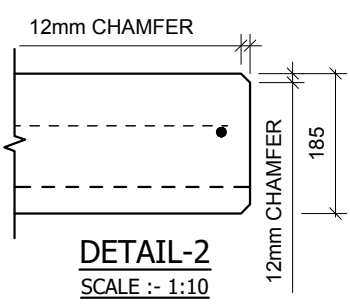
VIEWED AS CAST
SCALE :- 1:25



SECTION B-B
SCALE :- 1:25



SECTION C-C
SCALE :- 1:25



DETAIL-2
SCALE :- 1:10

- NOTES.**
- CONCRETE**
- CONCRETE SHALL HAVE A MIN. 28 DAY COMPRESSIVE STRENGTH OF 40MPa.
 - PLACING AND CURING OF CONCRETE SHALL COMPLY WITH RMS D+C SPECIFICATION B80.
 - ALL CORNERS SHALL HAVE 12mmx12mm FILLETS OR CHAMFERS - U.N.O. ON DRAWINGS.
 - CONCRETE EXPOSURE CLASSIFICATION: B1 TO RMS D+C SPECIFICATION B80 UNO.
 - CONCRETE MIX SHALL BE IN ACCORDANCE WITH RMS D+C SPECIFICATION B80.
 - LIFTERS HDG & ALL FIXING ARE SS.
- REINFORCING**
- COVER: 40mm U.O.N
 - ALL REINFORCEMENT SHALL COMPLY WITH AS4671 GRADE D500N (TYPICAL).
 - SPACING: TO BE TAKEN AS EVEN UNLESS NOTED OTHERWISE.
 - BENDING: BAR BENDING & HOOK DETAILS SHALL BE IN ACCORDANCE WITH AS5100.5.
 - WHERE REBATES OR RECESSES ARE REQUIRED, MIN. CLEAR COVER TO THE REINFORCEMENT SHALL BE MAINTAINED.
 - N16 TRIMMER BARS TO BE PROVIDED ALL AROUND.
 - REINFORCEMENT MAY BE SHOWN DIAGRAMMATICALLY AND MAY NOT NECESSARILY BE IN TRUE PROJECTION. THE MINIMUM LAPPED SPLICE FOR MESH SHALL BE MADE SO THAT THE OUTERMOST CROSS BARS OF ONE SHEET OVERLAP THE TWO OUTERMOST BARS CROSS BARS OF THE SHEET BEING LAPPED AS SHOWN BELOW.
 - UNLESS OTHERWISE SPECIFIED, THE MINIMUM DEVELOPMENT LENGTHS AND LENGTHS OF LAPS SHALL BE AS FOLLOWS:

BAR SIZE:	N12	N16	N20	N24
a) HORIZONTAL BARS WITH >300mm OF CONCRETE CAST BELOW THE BAR	500	700	1000	1300
b) OTHER BARS	350	550	750	1000

INSPECTION <input type="checkbox"/> TEST PLAN	
INSPECTED BY	
NAME OF FABRICATOR	
UNIT NO.	
CAST DATE	
CAST TIME	
CONCRETE DOCKET NO.	
CONCRETE SPECIF. (MPa)	

ITEM	FABRICATOR INITIAL	APPROVED Y / N
MOULD CLEANLINESS		
RELEASE OIL		
DIMENSIONS		
FORMWORK FIXED		
OPENING / REBATES CORRECT <input type="checkbox"/> POSITION		
HOLD POINT		
REINFORCING CORRECT		
LAPS <input type="checkbox"/> SPLICES CORRECT		
SPACING <input type="checkbox"/> COVER CORRECT		
HOLD POINT		
LIFTERS POSITIONED CORRECTLY		
CAST - IN ITEMS		
STARTERS/CLACING BARS		
APPROVED FOR CASTING		

POST POUR INSPECTION	
INSPECTED BY	
DATE	

ITEM	APPROVED Y / N
SWIFTLIFTS POSITION	
SWIFTLIFTS RECESS CLEANED	
CAST-IN ITEMS CLEANED	
CONCRETE FINISH	
LABELLED (NUMBER / DATED)	
DAMAGE (CRACKS / CHIPPING)	
CLEANLINESS	

ANY ACTION REQUIRED:
URBAN DESIGN PANEL FINISH/
BUBBLE EFFECT FINISH

APPROVED FOR DISPATCH

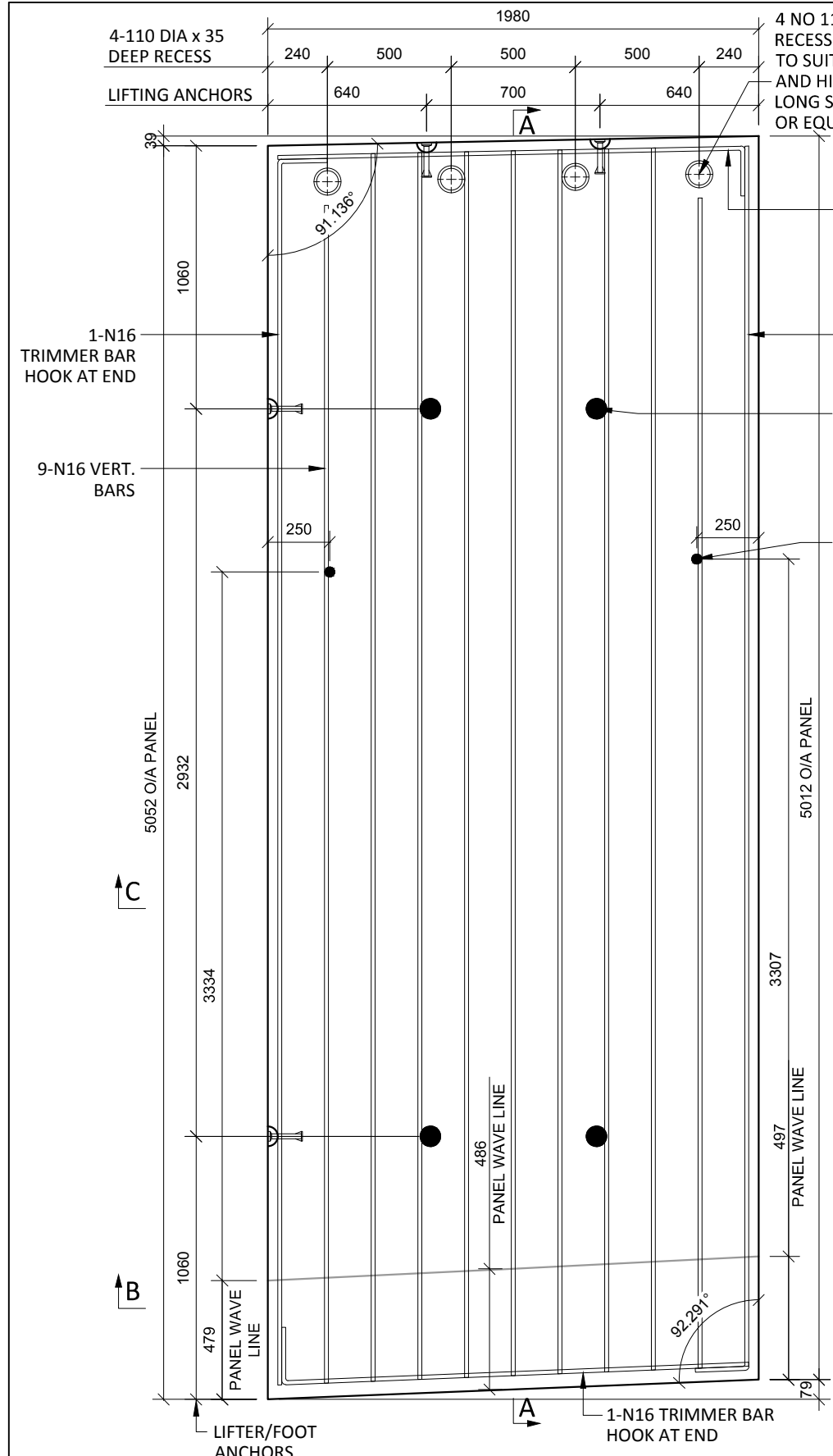
SLING ANGLE TO BE NOT LESS THAN 60° TO HORIZONTAL WHEN LIFTING

40c TO ALL EDGES FACES (UNO)

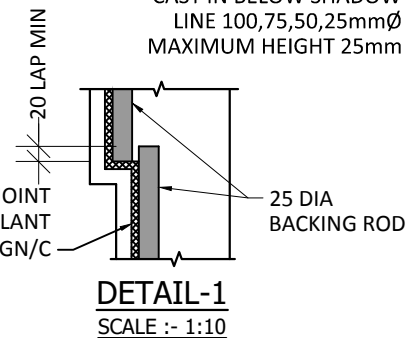
Area (m ²)	9.88
Vol (m ³)	1.79
Wt. (t)	4.48
MPa	40MPa
FINISH	FRONT FACE URBAN DESIGN PANEL FINISH/ BUBBLE EFFECT FINISH
NO: OFF	1

REV.	DATE	DESCRIPTION	DRAWN	APPROVED
0	20/12/18	ISSUED FOR CONSTRUCTION	NG	

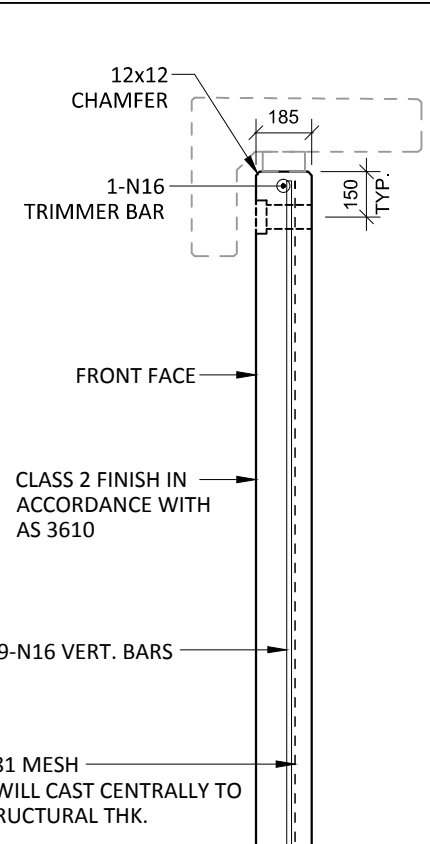
Contractor	Job	Project	Title	COPYRIGHT RESERVED	Drawn	NG	Date	20/12/18	Lot No.	163A
Designer	NORTHERN BEACHES COUNCIL NORTHERN BEACHES HOSPITAL CONNECTIVITY AND NETWORK ENHANCEMENT		BRIDGE OVER WARRINGAH ROAD AT HILMER STREET PRECAST FASCIA PANEL A8		Checked	HP	Scale (A3)	1:10 1:25 1:60	P-HS-A8	0



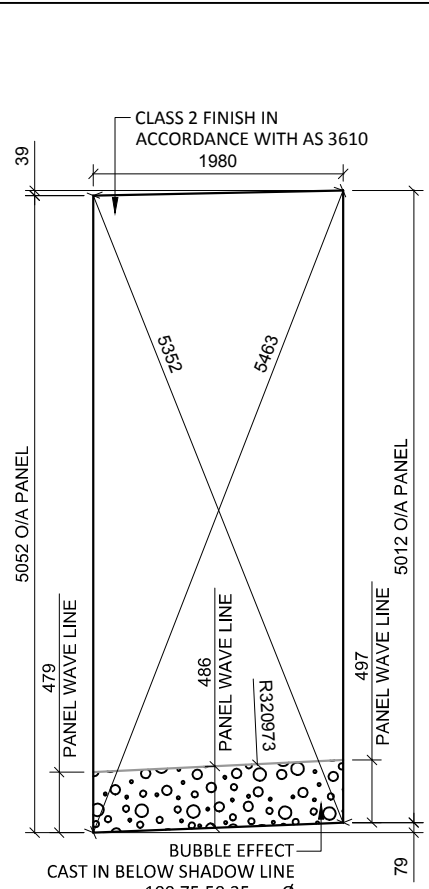
A9 PLAN AS CAST - 150/185 THK
SCALE :- 1:25
SL81 MESH IS NOT SHOWN FOR CLARITY



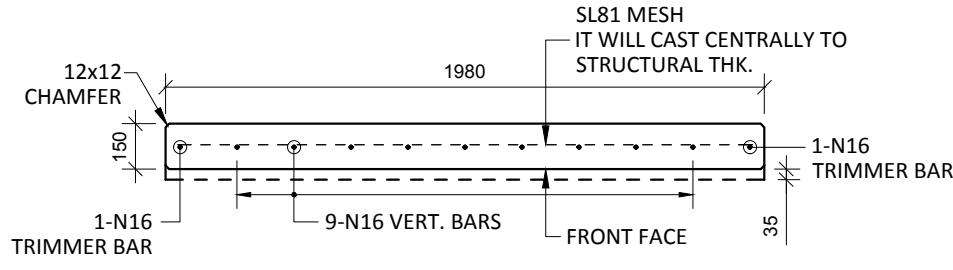
DETAIL-1
SCALE :- 1:10



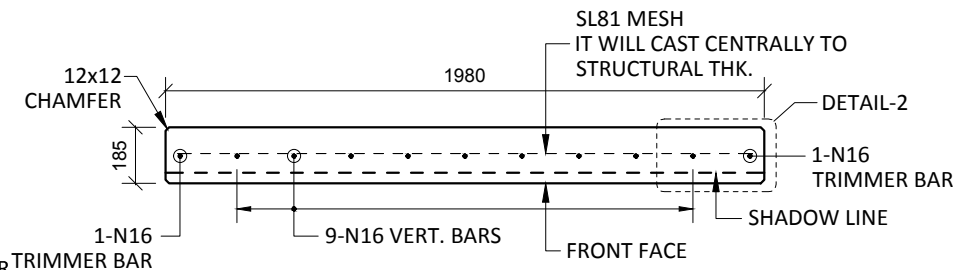
SECTION A-A
SCALE :- 1:25



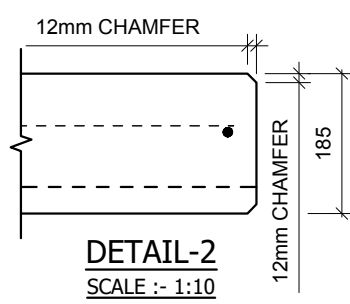
VIEWED AS CAST
SCALE :- 1:25



SECTION B-B
SCALE :- 1:25



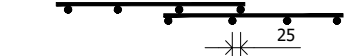
SECTION C-C
SCALE :- 1:25



DETAIL-2
SCALE :- 1:10

- NOTES.**
- CONCRETE**
- CONCRETE SHALL HAVE A MIN. 28 DAY COMPRESSIVE STRENGTH OF 40MPa.
 - PLACING AND CURING OF CONCRETE SHALL COMPLY WITH RMS D+C SPECIFICATION B80.
 - ALL CORNERS SHALL HAVE 12mmx12mm FILLETS OR CHAMFERS - U.N.O. ON DRAWINGS.
 - CONCRETE EXPOSURE CLASSIFICATION: B1 TO RMS D+C SPECIFICATION B80 UNO.
 - CONCRETE MIX SHALL BE IN ACCORDANCE WITH RMS D+C SPECIFICATION B80.
 - LIFTERS HDG & ALL FIXING ARE SS.

- REINFORCING**
- COVER: 40mm U.O.N
 - ALL REINFORCEMENT SHALL COMPLY WITH AS4671 GRADE D500N (TYPICAL).
 - SPACING: TO BE TAKEN AS EVEN UNLESS NOTED OTHERWISE.
 - BENDING: BAR BENDING & HOOK DETAILS SHALL BE IN ACCORDANCE WITH AS5100.5.
 - WHERE REBATES OR RECESSES ARE REQUIRED, MIN. CLEAR COVER TO THE REINFORCEMENT SHALL BE MAINTAINED.
 - N16 TRIMMER BARS TO BE PROVIDED ALL AROUND.
 - REINFORCEMENT MAY BE SHOWN DIAGMATICALLY AND MAY NOT NECESSARILY BE IN TRUE PROJECTION. THE MINIMUM LAPPED SPLICE FOR MESH SHALL BE MADE SO THAT THE OUTERMOST CROSS BARS OF ONE SHEET OVERLAP THE TWO OUTERMOST BARS CROSS BARS OF THE SHEET BEING LAPPED AS SHOWN BELOW.



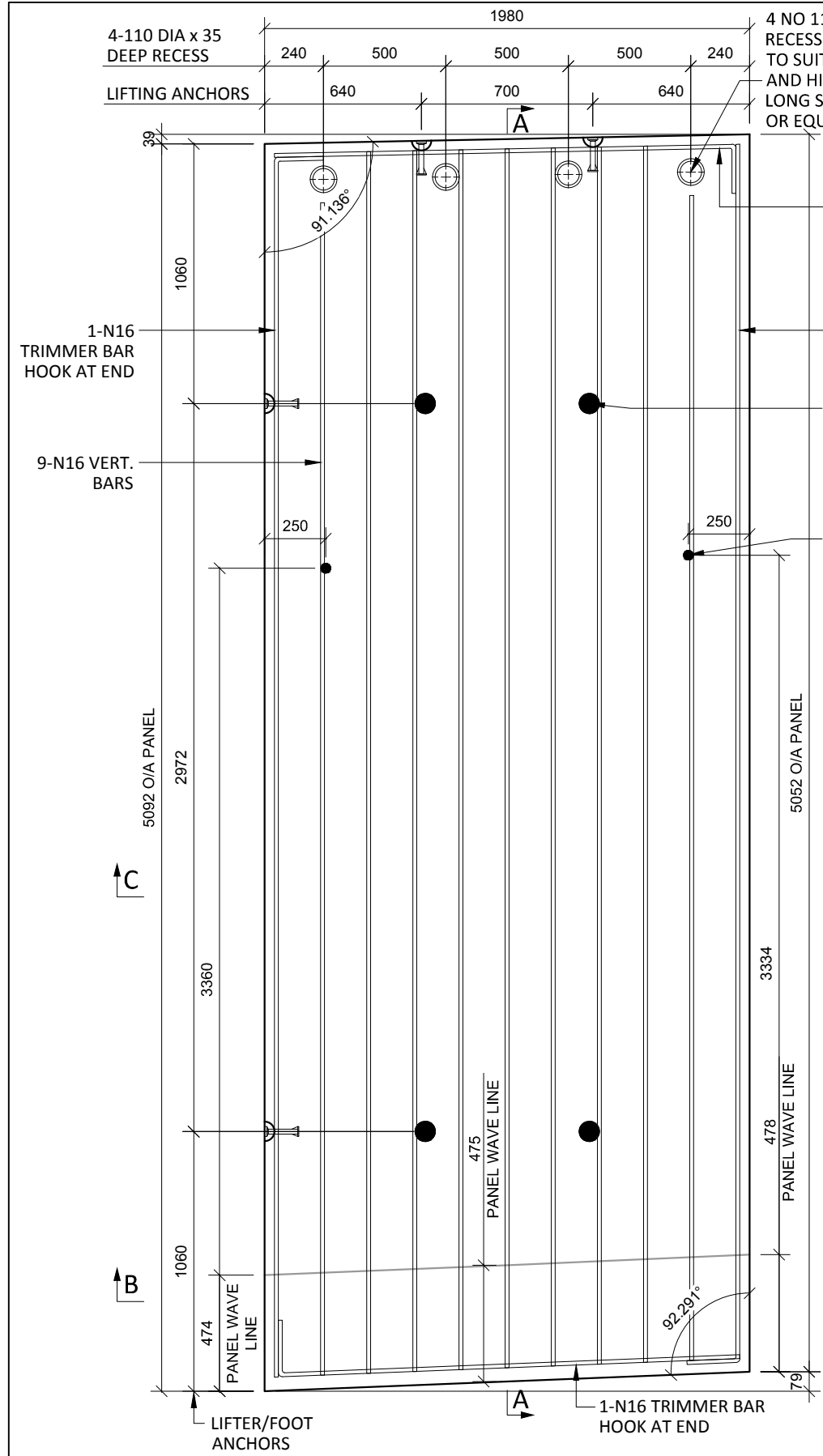
- UNLESS OTHERWISE SPECIFIED, THE MINIMUM DEVELOPMENT LENGTHS AND LENGTHS OF LAPS SHALL BE AS FOLLOWS:

BAR SIZE:	N12	N16	N20	N24
a) HORIZONTAL BARS WITH >300mm OF CONCRETE CAST BELOW THE BAR	500	700	1000	1300
b) OTHER BARS	350	550	750	1000

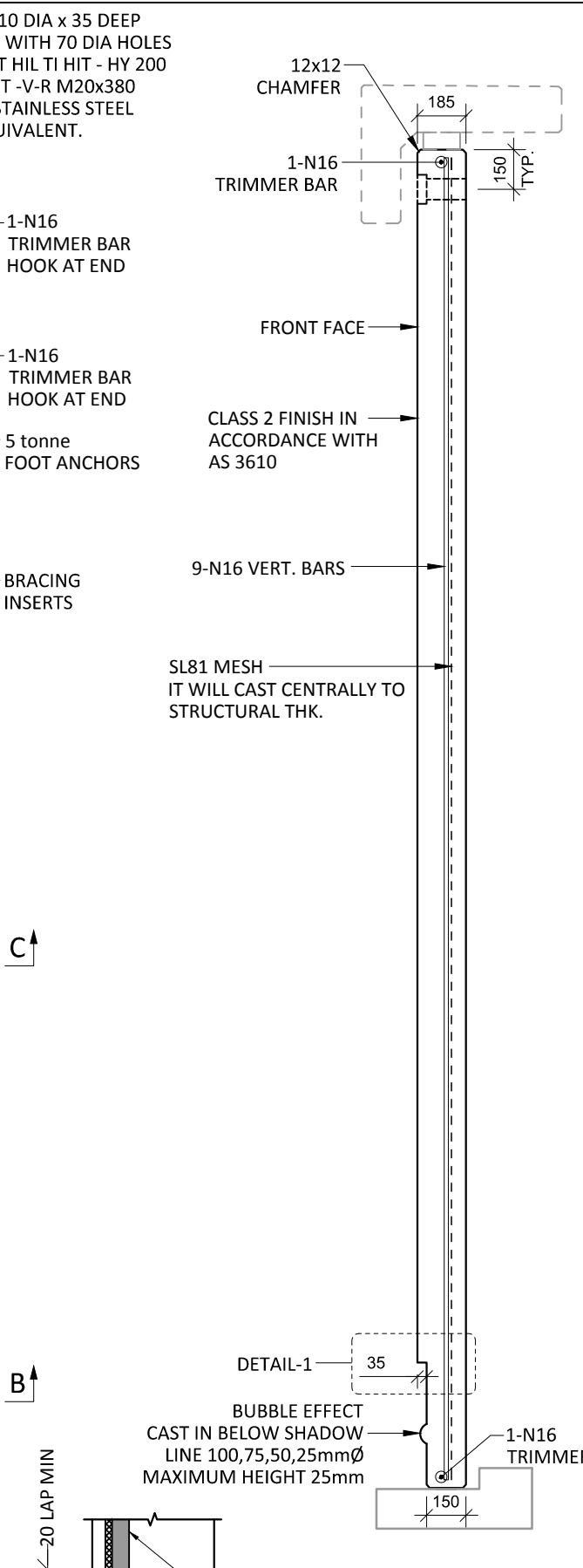
INSPECTION <input type="checkbox"/> TEST PLAN	
INSPECTED BY	
NAME OF FABRICATOR	
UNIT NO.	
CAST DATE	
CAST TIME	
CONCRETE DOCKET NO.	
CONCRETE SPECIF. (MPa)	
ITEM	FABRICATOR APPROVED INITIAL Y / N
MOULD CLEANLINESS	
RELEASE OIL	
DIMENSIONS	
FORMWORK FIXED	
OPENING / REBATES CORRECT <input type="checkbox"/> POSITION	
HOLD POINT	
REINFORCING CORRECT	
LAPS <input type="checkbox"/> SPLICES CORRECT	
SPACING <input type="checkbox"/> COVER CORRECT	
HOLD POINT	
LIFTERS POSITIONED CORRECTLY	
CAST - IN ITEMS	
STARTERS/CLACING BARS	
APPROVED FOR CASTING	
POST POUR INSPECTION	
INSPECTED BY	
DATE	
ITEM	APPROVED Y / N
SWIFTLIFTS POSITION	
SWIFTLIFTS RECESS CLEANED	
CAST-IN ITEMS CLEANED	
CONCRETE FINISH	
LABELLED (NUMBER / DATED)	
DAMAGE (CRACKS / CHIPPING)	
CLEANLINESS	
ANY ACTION REQUIRED: URBAN DESIGN PANEL FINISH/ BUBBLE EFFECT FINISH	
APPROVED FOR DISPATCH	
SLING ANGLE TO BE NOT LESS THAN 60° TO HORIZONTAL WHEN LIFTING	
40c TO ALL EDGES <input type="checkbox"/> FACES (UNO)	
Area (m ²)	9.96
Vol (m ³)	1.81
Wt. (t)	4.52
MPa	40MPa
FINISH	FRONT FACE URBAN DESIGN PANEL FINISH/ BUBBLE EFFECT FINISH
NO: OFF	1

REV.	DATE	DESCRIPTION	DRAWN	APPROVED
0	20/12/18	ISSUED FOR CONSTRUCTION	NG	

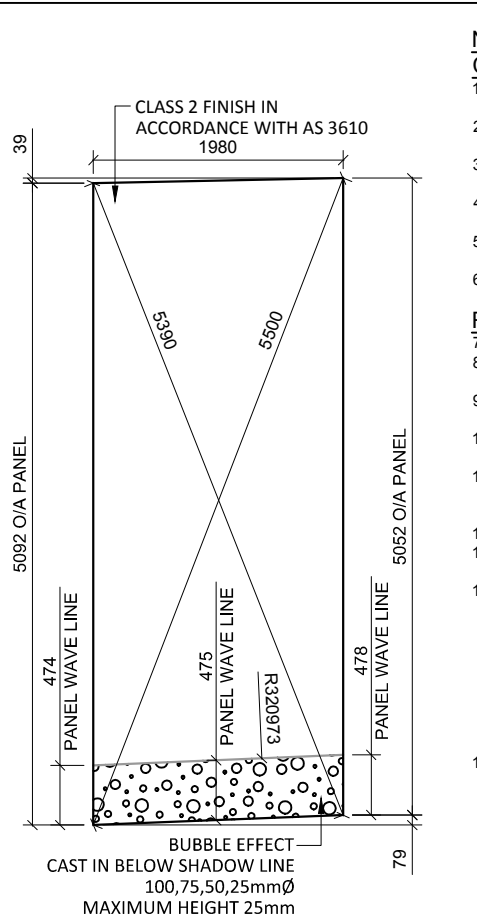
Contractor	Job	Project	Title	COPYRIGHT RESERVED	Drawn	NG	Date	20/12/18	Lot No. 163A
Designer	NORTHERN BEACHES COUNCIL NORTHERN BEACHES HOSPITAL CONNECTIVITY AND NETWORK ENHANCEMENT		BRIDGE OVER WARRINGAH ROAD AT HILMER STREET PRECAST FASCIA PANEL A9		Checked	HP	Scale (A3)	1:10 1:25 1:60	



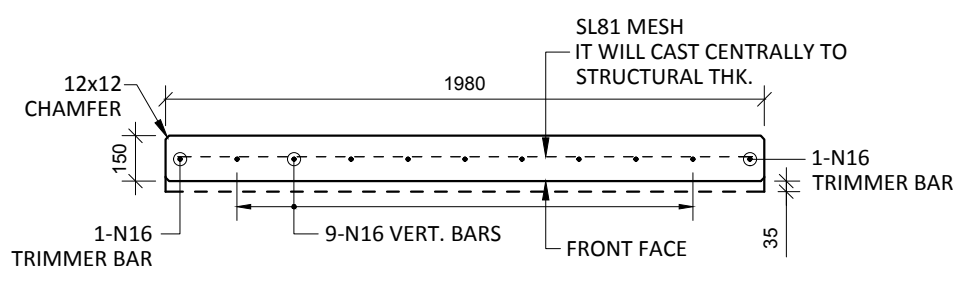
A10 PLAN AS CAST - 150/185 THK
 SCALE :- 1:25 SL81 MESH IS NOT SHOWN FOR CLARITY



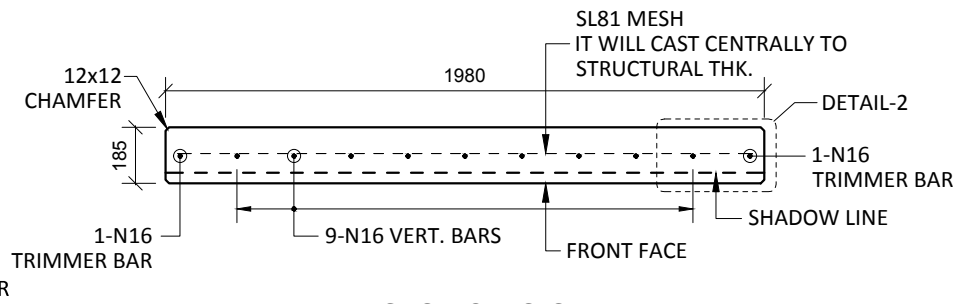
SECTION A-A
 SCALE :- 1:25



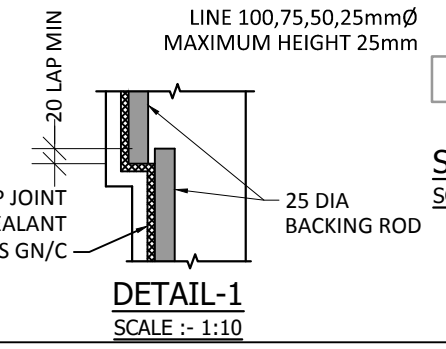
VIEWED AS CAST
 SCALE :- 1:25



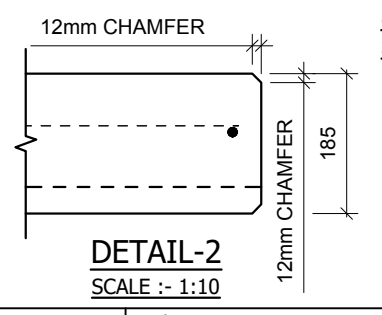
SECTION B-B
 SCALE :- 1:25



SECTION C-C
 SCALE :- 1:25



DETAIL-1
 SCALE :- 1:10



DETAIL-2
 SCALE :- 1:10

- NOTES.**
- CONCRETE**
- CONCRETE SHALL HAVE A MIN. 28 DAY COMPRESSIVE STRENGTH OF 40MPa.
 - PLACING AND CURING OF CONCRETE SHALL COMPLY WITH RMS D+C SPECIFICATION B80.
 - ALL CORNERS SHALL HAVE 12mmx12mm FILLETS OR CHAMFERS - U.N.O. ON DRAWINGS.
 - CONCRETE EXPOSURE CLASSIFICATION: B1 TO RMS D+C SPECIFICATION B80 UNO.
 - CONCRETE MIX SHALL BE IN ACCORDANCE WITH RMS D+C SPECIFICATION B80.
 - LIFTERS HDG & ALL FIXING ARE SS.
- REINFORCING**
- COVER: 40mm U.O.N
 - ALL REINFORCEMENT SHALL COMPLY WITH AS4671 GRADE D500N (TYPICAL).
 - SPACING: TO BE TAKEN AS EVEN UNLESS NOTED OTHERWISE.
 - BENDING: BAR BENDING & HOOK DETAILS SHALL BE IN ACCORDANCE WITH AS5100.5.
 - WHERE REBATES OR RECESSES ARE REQUIRED, MIN. CLEAR COVER TO THE REINFORCEMENT SHALL BE MAINTAINED.
 - N16 TRIMMER BARS TO BE PROVIDED ALL AROUND.
 - REINFORCEMENT MAY BE SHOWN DIAGRAMMATICALLY AND MAY NOT NECESSARILY BE IN TRUE PROJECTION. THE MINIMUM LAPPED SPLICE FOR MESH SHALL BE MADE SO THAT THE OUTERMOST CROSS BARS OF ONE SHEET OVERLAP THE TWO OUTERMOST BARS CROSS BARS OF THE SHEET BEING LAPPED AS SHOWN BELOW.
 - UNLESS OTHERWISE SPECIFIED, THE MINIMUM DEVELOPMENT LENGTHS AND LENGTHS OF LAPS SHALL BE AS FOLLOWS:

BAR SIZE:	N12	N16	N20	N24
a) HORIZONTAL BARS WITH >300mm OF CONCRETE CAST BELOW THE BAR	500	700	1000	1300
b) OTHER BARS	350	550	750	1000

INSPECTION <input type="checkbox"/> TEST PLAN	
INSPECTED BY	
NAME OF FABRICATOR	
UNIT NO.	
CAST DATE	
CAST TIME	
CONCRETE DOCKET NO.	
CONCRETE SPECIF. (MPa)	

ITEM	FABRICATOR INITIAL	APPROVED Y / N
MOULD CLEANLINESS		
RELEASE OIL		
DIMENSIONS		
FORMWORK FIXED		
OPENING / REBATES CORRECT <input type="checkbox"/> POSITION		
HOLD POINT		
REINFORCING CORRECT		
LAPS <input type="checkbox"/> SPLICES CORRECT		
SPACING <input type="checkbox"/> COVER CORRECT		
HOLD POINT		
LIFTERS POSITIONED CORRECTLY		
CAST - IN ITEMS		
STARTERS/CLACING BARS		
APPROVED FOR CASTING		

POST POUR INSPECTION	
INSPECTED BY	
DATE	

ITEM	APPROVED Y / N
SWIFTLIFTS POSITION	
SWIFTLIFTS RECESS CLEANED	
CAST-IN ITEMS CLEANED	
CONCRETE FINISH	
LABELLED (NUMBER / DATED)	
DAMAGE (CRACKS / CHIPPING)	
CLEANLINESS	

ANY ACTION REQUIRED:
 URBAN DESIGN PANEL FINISH/
 BUBBLE EFFECT FINISH

APPROVED FOR DISPATCH

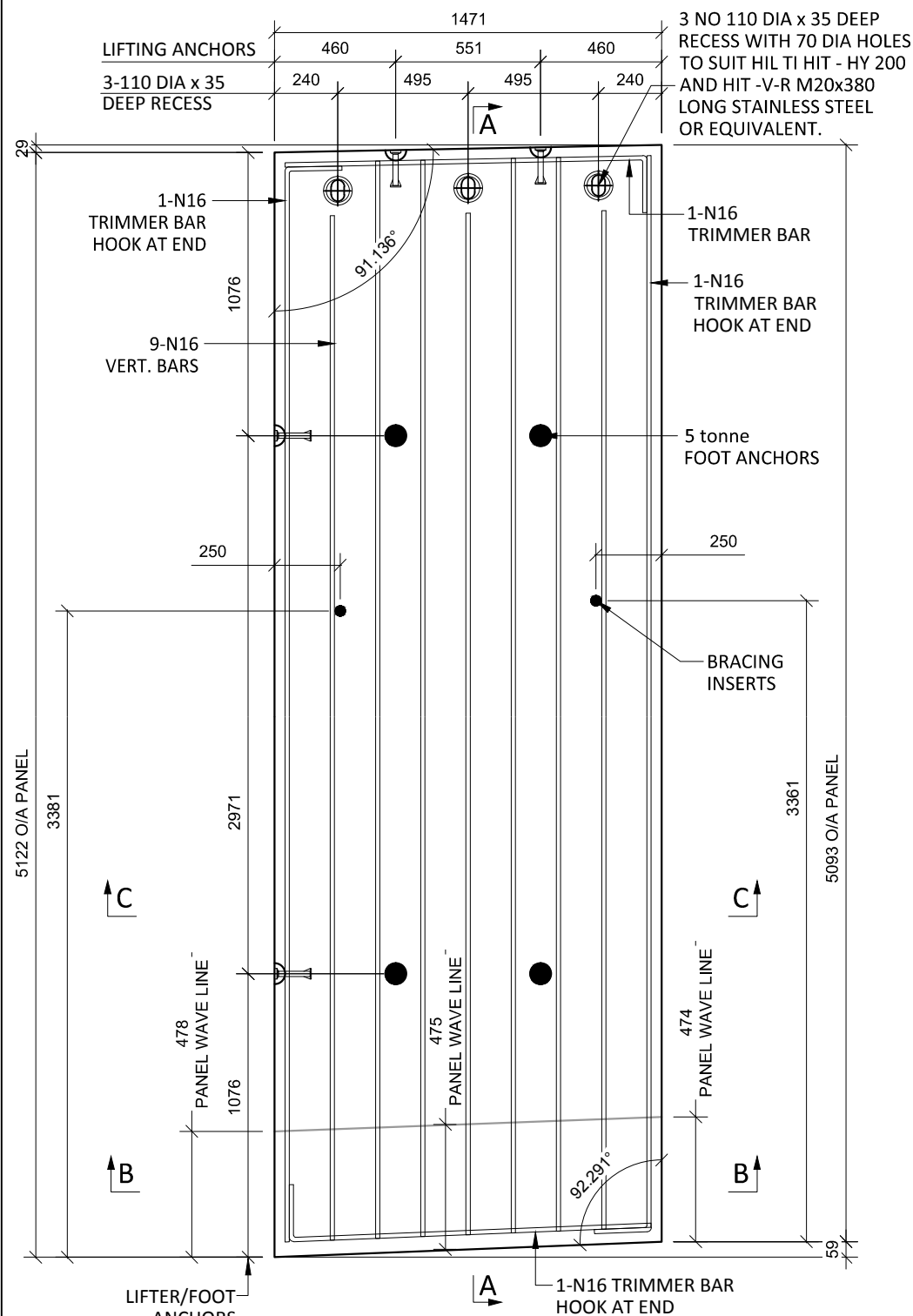
SLING ANGLE TO BE NOT LESS THAN 60° TO HORIZONTAL WHEN LIFTING

40c TO ALL EDGES FACES (UNO)

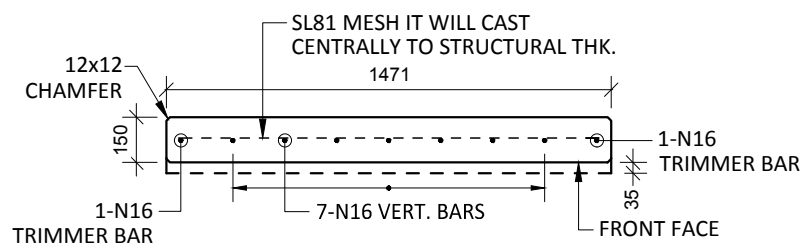
Area (m ²)	10.04
Vol (m ³)	1.83
Wt. (t)	4.56
MPa	40MPa
FINISH	FRONT FACE URBAN DESIGN PANEL FINISH/ BUBBLE EFFECT FINISH
NO: OFF	1

REV.	DATE	DESCRIPTION	DRAWN	APPROVED
0	20/12/18	ISSUED FOR CONSTRUCTION	NG	

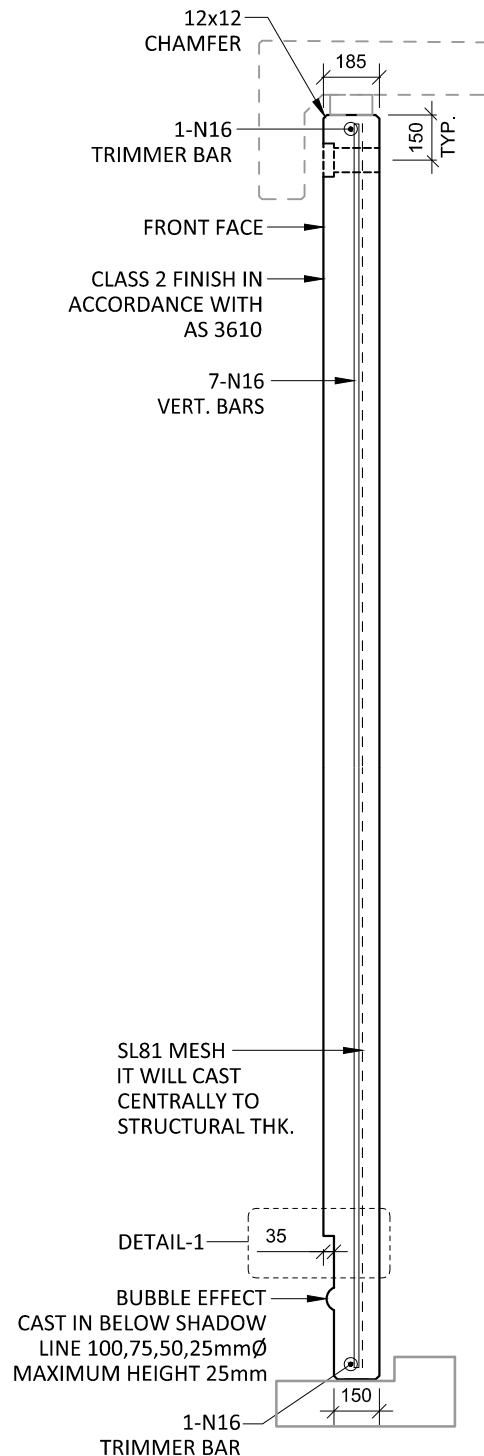
Contractor	Job	Project	Title	COPYRIGHT RESERVED	Drawn	NG	Date	20/12/18	Lot No. 163A
Designer	NORTHERN BEACHES COUNCIL NORTHERN BEACHES HOSPITAL CONNECTIVITY AND NETWORK ENHANCEMENT	BRIDGE OVER WARRINGAH ROAD AT HILMER STREET PRECAST FASCIA PANEL A10	Checked		HP	Scale (A3)	1:10 1:25 1:60	P-HS-A10 Dwg No.	



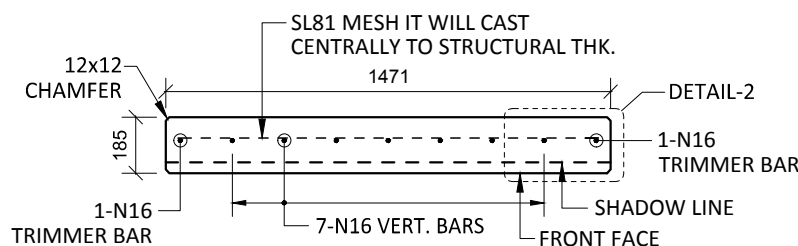
A11 PLAN AS CAST - 150/185 THK
SCALE :- 1:25



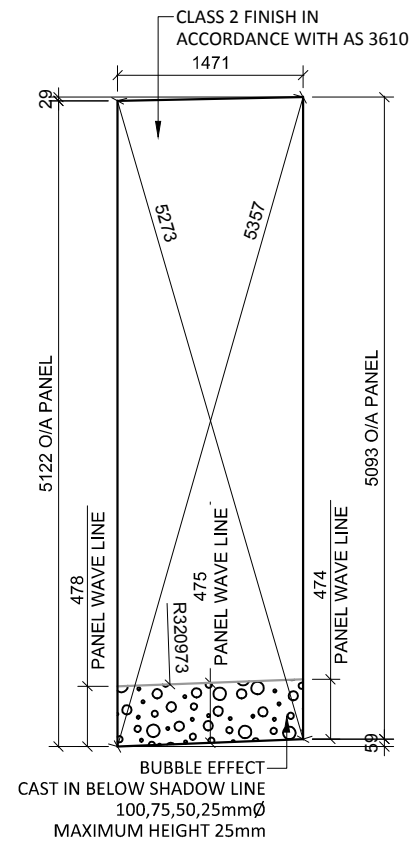
SECTION B-B
SCALE :- 1:25



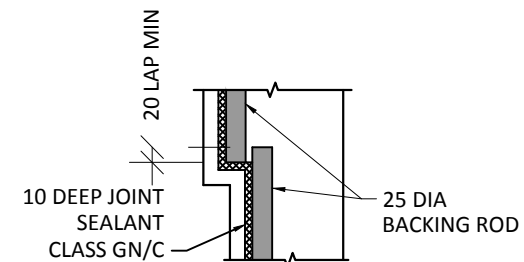
SECTION A-A
SCALE :- 1:25



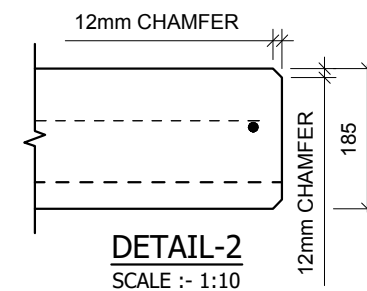
SECTION C-C
SCALE :- 1:25



VIEWED AS CAST
SCALE :- 1:25



DETAIL-1
SCALE :- 1:10



DETAIL-2
SCALE :- 1:10

NOTES.
CONCRETE

1. CONCRETE SHALL HAVE A MIN. 28 DAY COMPRESSIVE STRENGTH OF 40MPa.
2. PLACING AND CURING OF CONCRETE SHALL COMPLY WITH RMS D+C SPECIFICATION B80.
3. ALL CORNERS SHALL HAVE 12mmx12mm FILLETS OR CHAMFERS - U.N.O. ON DRAWINGS.
4. CONCRETE EXPOSURE CLASSIFICATION: B1 TO RMS D+C SPECIFICATION B80 UNO.
5. CONCRETE MIX SHALL BE IN ACCORDANCE WITH RMS D+C SPECIFICATION B80.
6. LIFTERS HDG & ALL FIXING ARE SS.

REINFORCING

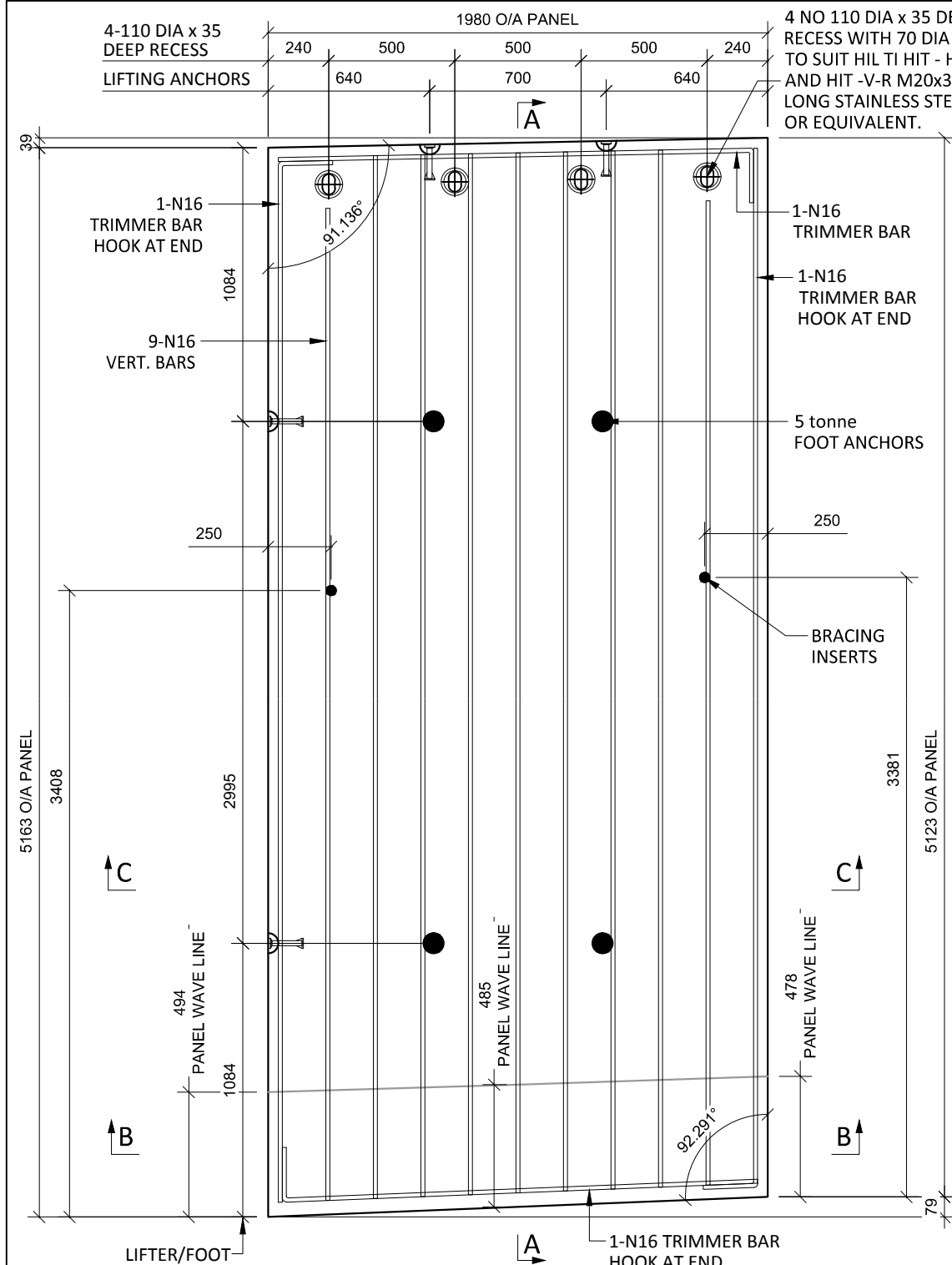
7. COVER: 40mm U.O.N
8. ALL REINFORCEMENT SHALL COMPLY WITH AS4671 GRADE D500N (TYPICAL).
9. SPACING: TO BE TAKEN AS EVEN UNLESS NOTED OTHERWISE.
10. BENDING: BAR BENDING & HOOK DETAILS SHALL BE IN ACCORDANCE WITH AS5100.5.
11. WHERE REBATES OR RECESSES ARE REQUIRED, MIN. CLEAR COVER TO THE REINFORCEMENT SHALL BE MAINTAINED.
12. N16 TRIMMER BARS TO BE PROVIDED ALL AROUND.
13. REINFORCEMENT MAY BE SHOWN DIAGRAMMATICALLY AND MAY NOT NECESSARILY BE IN TRUE PROJECTION.
14. THE MINIMUM LAPPED SPLICE FOR MESH SHALL BE MADE SO THAT THE OUTERMOST CROSS BARS OF ONE SHEET OVERLAP THE TWO OUTERMOST BARS CROSS BARS OF THE SHEET BEING LAPPED AS SHOWN BELOW.
15. UNLESS OTHERWISE SPECIFIED, THE MINIMUM DEVELOPMENT LENGTHS AND LENGTHS OF LAPS SHALL BE AS FOLLOWS:

BAR SIZE:	N12	N16	N20	N24
a) HORIZONTAL BARS WITH >300mm OF CONCRETE CAST BELOW THE BAR	500	700	1000	1300
b) OTHER BARS	350	550	750	1000

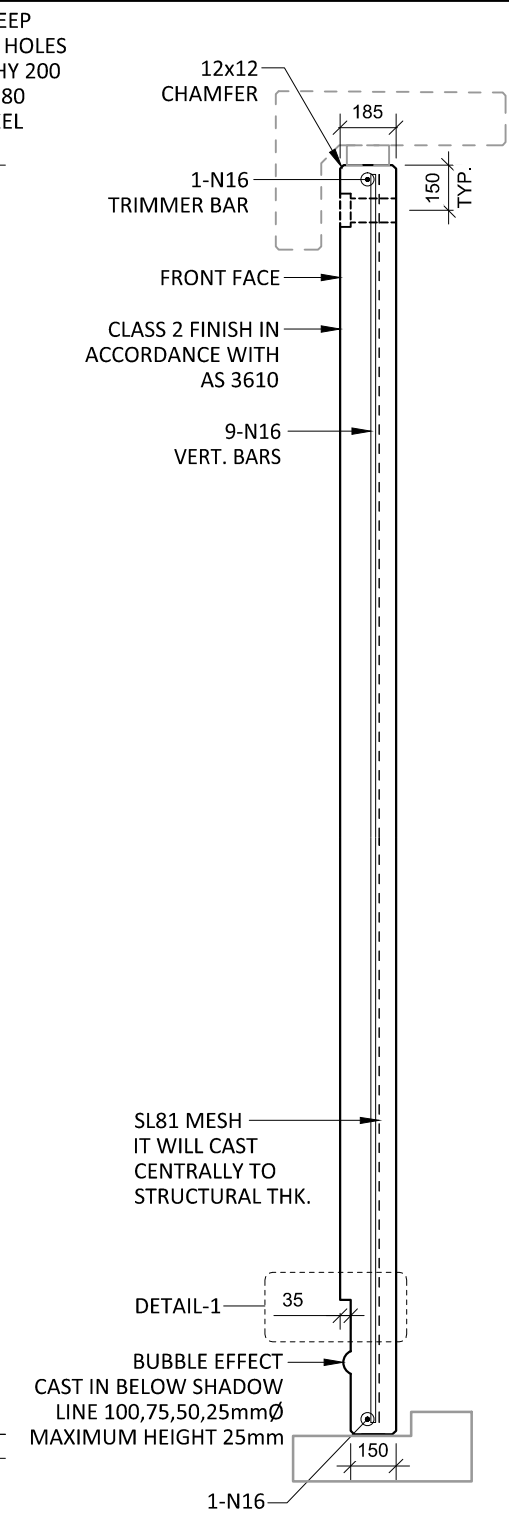
INSPECTION <input type="checkbox"/> TEST PLAN	
INSPECTED BY	
NAME OF FABRICATOR	
UNIT NO.	
CAST DATE	
CAST TIME	
CONCRETE DOCKET NO.	
CONCRETE SPECIF. (MPa)	
ITEM	FABRICATOR APPROVED INITIAL Y / N
MOULD CLEANLINESS	
RELEASE OIL	
DIMENSIONS	
FORMWORK FIXED	
OPENING / REBATES CORRECT <input type="checkbox"/> POSITION	
HOLD POINT	
REINFORCING CORRECT	
LAPS <input type="checkbox"/> SPLICES CORRECT	
SPACING <input type="checkbox"/> COVER CORRECT	
HOLD POINT	
LIFTERS POSITIONED CORRECTLY	
CAST - IN ITEMS	
STARTERS <input type="checkbox"/> CLACING BARS	
APPROVED FOR CASTING	
POST POUR INSPECTION	
INSPECTED BY	
DATE	
ITEM	APPROVED Y / N
SWIFTLIFTS POSITION	
SWIFTLIFTS RECESS CLEANED	
CAST-IN ITEMS CLEANED	
CONCRETE FINISH	
LABELLED (NUMBER / DATED)	
DAMAGE (CRACKS / CHIPPING)	
CLEANLINESS	
ANY ACTION REQUIRED:	URBAN DESIGN PANEL FINISH/ BUBBLE EFFECT FINISH
APPROVED FOR DISPATCH	
SLING ANGLE TO BE NOT LESS THAN 60° TO HORIZONTAL WHEN LIFTING	
40c <input type="checkbox"/> TO ALL EDGES <input type="checkbox"/> FACES (UNO)	
Area (m ²)	7.51
Vol (m ³)	1.37
Wt. (t)	3.41
MPa	40MPa
FINISH	FRONT FACE URBAN DESIGN PANEL FINISH/ BUBBLE EFFECT FINISH
NO: OFF	1

REV.	DATE	DESCRIPTION	DRAWN	APPROVED
0	20/12/18	ISSUED FOR CONSTRUCTION	JM	

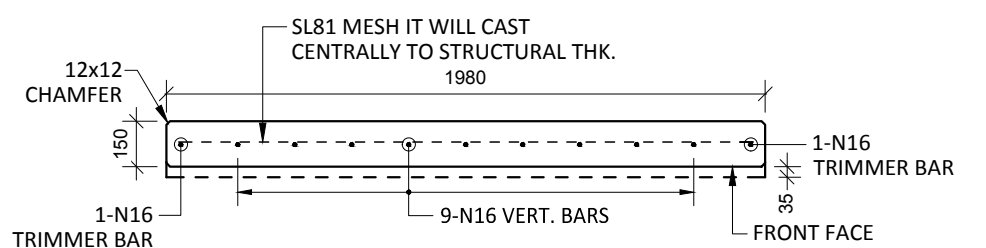
Contractor	Job	Project	Title	COPYRIGHT RESERVED	Drawn	JM	Date	20/12/18	Lot No.	163A
Designer	NORTHERN BEACHES COUNCIL NORTHERN BEACHES HOSPITAL CONNECTIVITY AND NETWORK ENHANCEMENT	BRIDGE OVER WARRINGAH ROAD AT HILMER STREET PRECAST FASCIA PANEL A11	Checked		HP	Scale (A3)	1:10 1:25 1:60	P-HS-A11	0	REV.



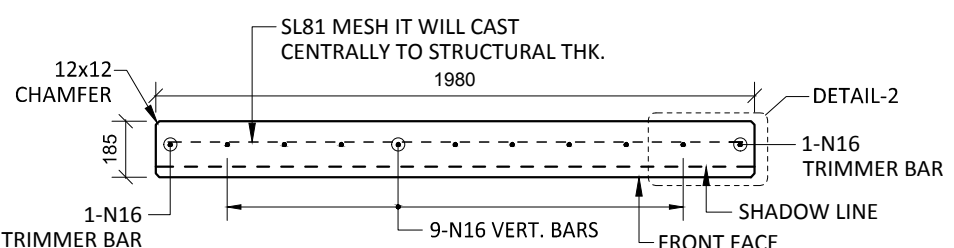
A12 PLAN AS CAST - 150/185 THK
SCALE :- 1:25



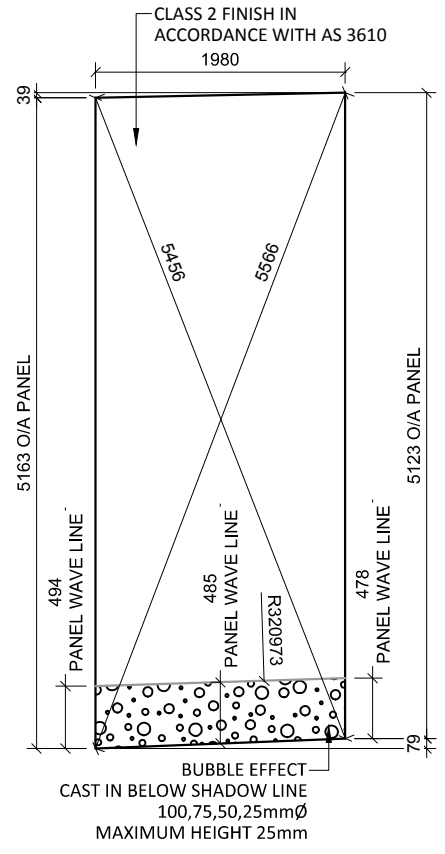
SECTION A-A
SCALE :- 1:25



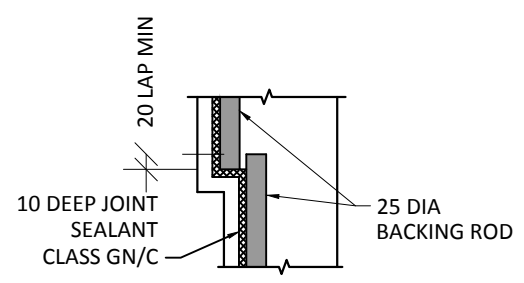
SECTION B-B
SCALE :- 1:25



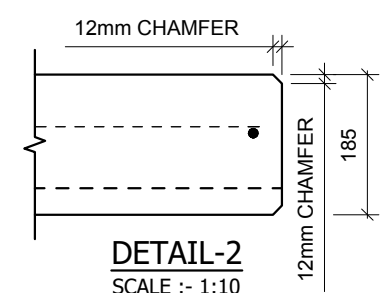
SECTION C-C
SCALE :- 1:25



VIEWED AS CAST
SCALE :- 1:25



DETAIL-1
SCALE :- 1:10



DETAIL-2
SCALE :- 1:10

NOTES.

- CONCRETE**
1. CONCRETE SHALL HAVE A MIN. 28 DAY COMPRESSIVE STRENGTH OF 40MPa.
 2. PLACING AND CURING OF CONCRETE SHALL COMPLY WITH RMS D+C SPECIFICATION B80.
 3. ALL CORNERS SHALL HAVE 12mmx12mm FILLETS OR CHAMFERS - U.N.O. ON DRAWINGS.
 4. CONCRETE EXPOSURE CLASSIFICATION: B1 TO RMS D+C SPECIFICATION B80 UNO.
 5. CONCRETE MIX SHALL BE IN ACCORDANCE WITH RMS D+C SPECIFICATION B80.
 6. LIFTERS HDG & ALL FIXING ARE SS.

REINFORCING

7. COVER: 40mm U.O.N
8. ALL REINFORCEMENT SHALL COMPLY WITH AS4671 GRADE D500N (TYPICAL).
9. SPACING: TO BE TAKEN AS EVEN UNLESS NOTED OTHERWISE.
10. BENDING: BAR BENDING & HOOK DETAILS SHALL BE IN ACCORDANCE WITH AS5100.5.
11. WHERE REBATES OR RECESSES ARE REQUIRED, MIN. CLEAR COVER TO THE REINFORCEMENT SHALL BE MAINTAINED.
12. N16 TRIMMER BARS TO BE PROVIDED ALL AROUND.
13. REINFORCEMENT MAY BE SHOWN DIAGRAMMATICALLY AND MAY NOT NECESSARILY BE IN TRUE PROJECTION.
14. THE MINIMUM LAPPED SPLICE FOR MESH SHALL BE MADE SO THAT THE OUTERMOST CROSS BARS OF ONE SHEET OVERLAP THE TWO OUTERMOST BARS CROSS BARS OF THE SHEET BEING LAPPED AS SHOWN BELOW.
15. UNLESS OTHERWISE SPECIFIED, THE MINIMUM DEVELOPMENT LENGTHS AND LENGTHS OF LAPS SHALL BE AS FOLLOWS:

BAR SIZE:	N12	N16	N20	N24
a) HORIZONTAL BARS WITH >300mm OF CONCRETE CAST BELOW THE BAR	500	700	1000	1300
b) OTHER BARS	350	550	750	1000

INSPECTION <input type="checkbox"/> TEST PLAN	
INSPECTED BY	
NAME OF FABRICATOR	
UNIT NO.	
CAST DATE	
CAST TIME	
CONCRETE DOCKET NO.	
CONCRETE SPECIF. (MPa)	

ITEM	FABRICATOR INITIAL	APPROVED Y / N
MOULD CLEANLINESS		
RELEASE OIL		
DIMENSIONS		
FORMWORK FIXED		
OPENING / REBATES CORRECT <input type="checkbox"/> POSITION		
HOLD POINT		
REINFORCING CORRECT		
LAPS <input type="checkbox"/> SPLICES CORRECT		
SPACING <input type="checkbox"/> COVER CORRECT		
HOLD POINT		
LIFTERS POSITIONED CORRECTLY		
CAST - IN ITEMS		
STARTERS/CLACING BARS		
APPROVED FOR CASTING		

POST POUR INSPECTION	
INSPECTED BY	
DATE	

ITEM	APPROVED Y / N
SWIFTLIFTS POSITION	
SWIFTLIFTS RECESS CLEANED	
CAST-IN ITEMS CLEANED	
CONCRETE FINISH	
LABELLED (NUMBER / DATED)	
DAMAGE (CRACKS / CHIPPING)	
CLEANLINESS	

ANY ACTION REQUIRED:
URBAN DESIGN PANEL FINISH/
BUBBLE EFFECT FINISH

APPROVED FOR DISPATCH

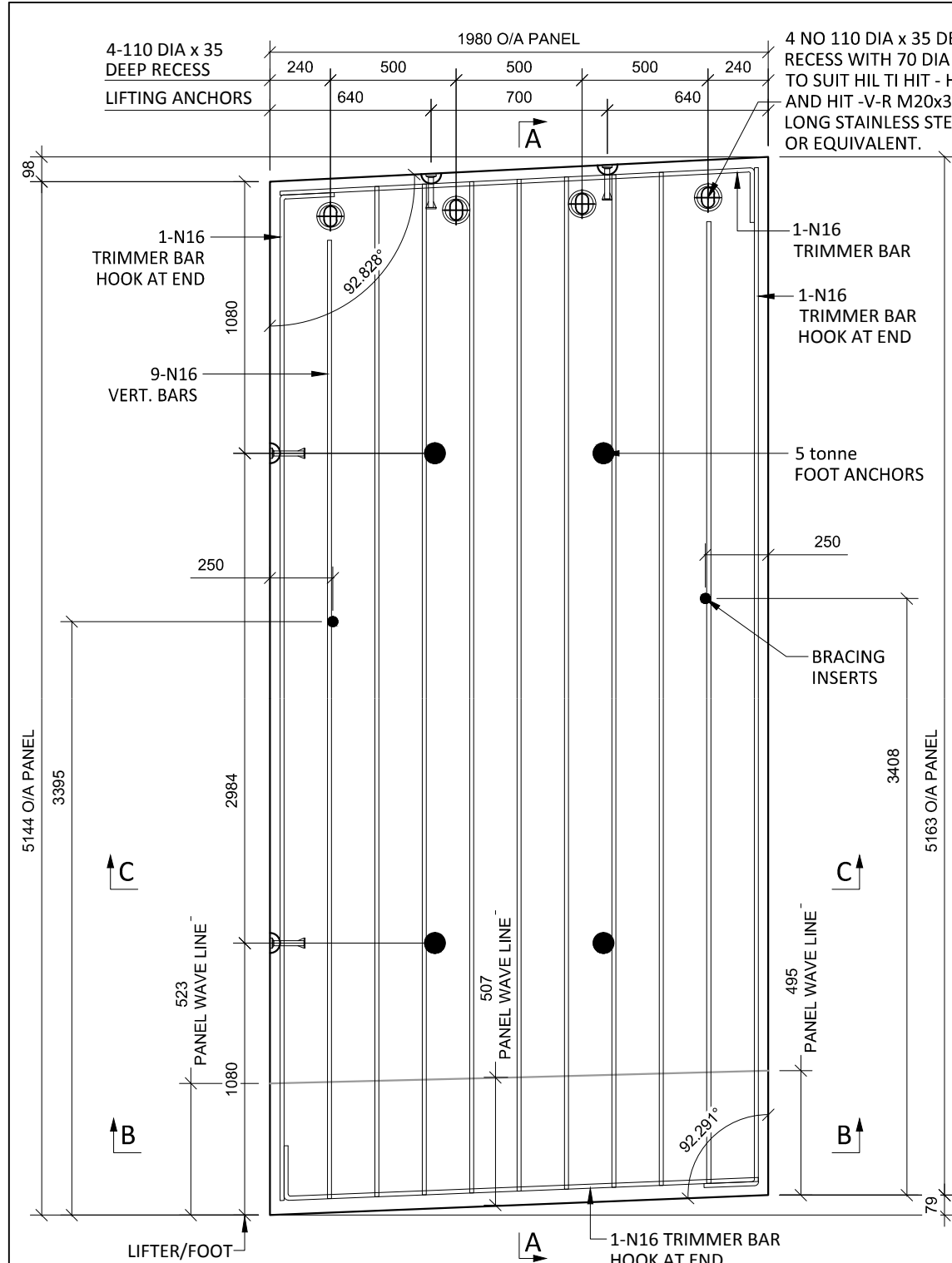
SLING ANGLE TO BE NOT LESS THAN 60° TO HORIZONTAL WHEN LIFTING

40c TO ALL EDGES FACES (UNO)

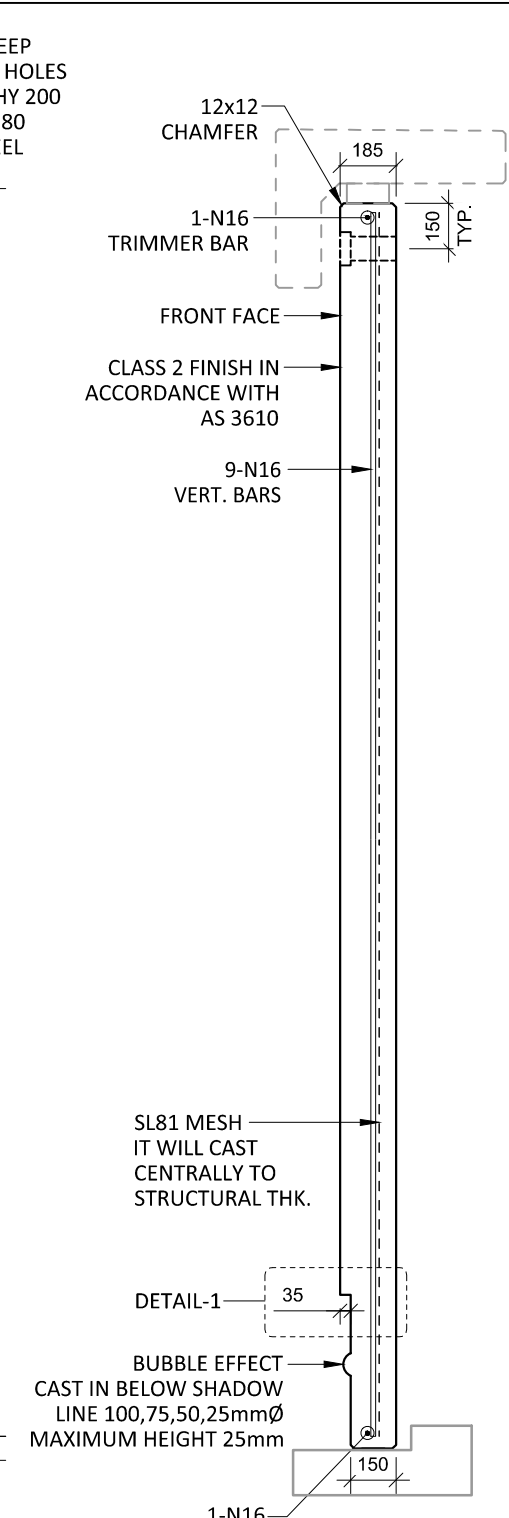
Area (m ²)	10.18
Vol (m ³)	1.85
Wt. (t)	4.63
MPa	40MPa
FINISH	FRONT FACE URBAN DESIGN PANEL FINISH/ BUBBLE EFFECT FINISH
NO: OFF	1

REV.	DATE	DESCRIPTION	DRAWN	APPROVED
0	20/12/18	ISSUED FOR CONSTRUCTION	JM	

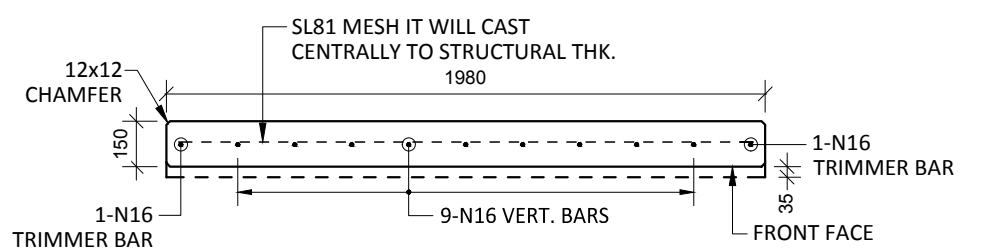
Contractor	Job	Project	Title	COPYRIGHT RESERVED	Drawn	JM	Date	20/12/18	Lot No.	163A
Designer	NORTHERN BEACHES COUNCIL NORTHERN BEACHES HOSPITAL CONNECTIVITY AND NETWORK ENHANCEMENT		BRIDGE OVER WARRINGAH ROAD AT HILMER STREET PRECAST FASCIA PANEL A12		Checked	HP	Scale (A3)	1:10 1:25 1:60	P-HS-A12	0



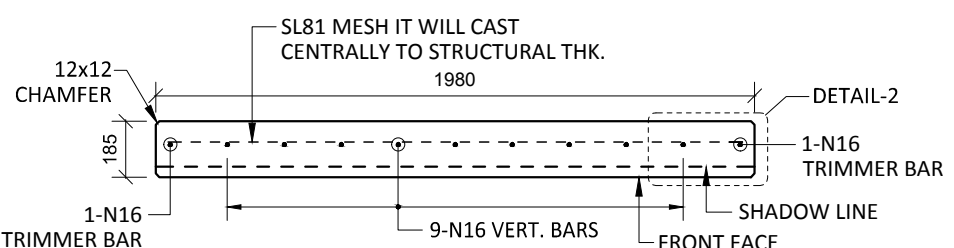
A13 PLAN AS CAST - 150/185 THK
SCALE :- 1:25



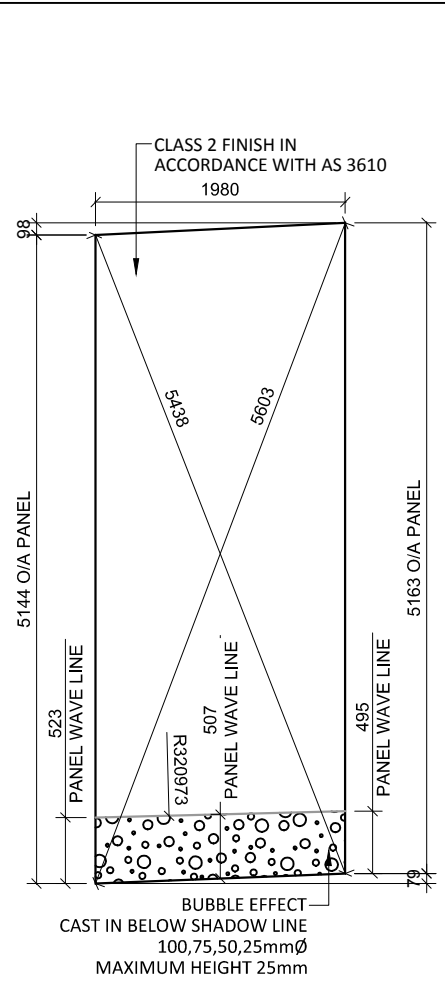
SECTION A-A
SCALE :- 1:25



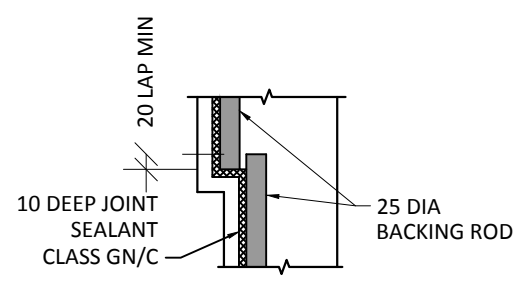
SECTION B-B
SCALE :- 1:25



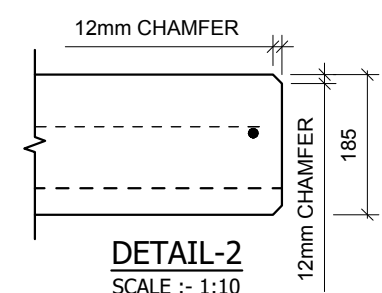
SECTION C-C
SCALE :- 1:25



VIEWED AS CAST
SCALE :- 1:25



DETAIL-1
SCALE :- 1:10



DETAIL-2
SCALE :- 1:10

- NOTES.**
- CONCRETE**
- CONCRETE SHALL HAVE A MIN. 28 DAY COMPRESSIVE STRENGTH OF 40MPa.
 - PLACING AND CURING OF CONCRETE SHALL COMPLY WITH RMS D+C SPECIFICATION B80.
 - ALL CORNERS SHALL HAVE 12mmx12mm FILLETS OR CHAMFERS - U.N.O. ON DRAWINGS.
 - CONCRETE EXPOSURE CLASSIFICATION: B1 TO RMS D+C SPECIFICATION B80 UNO.
 - CONCRETE MIX SHALL BE IN ACCORDANCE WITH RMS D+C SPECIFICATION B80.
 - LIFTERS HDG & ALL FIXING ARE SS.

- REINFORCING**
- COVER: 40mm U.O.N
 - ALL REINFORCEMENT SHALL COMPLY WITH AS4671 GRADE D500N (TYPICAL).
 - SPACING: TO BE TAKEN AS EVEN UNLESS NOTED OTHERWISE.
 - BENDING: BAR BENDING & HOOK DETAILS SHALL BE IN ACCORDANCE WITH AS5100.5.
 - WHERE REBATES OR RECESSES ARE REQUIRED, MIN. CLEAR COVER TO THE REINFORCEMENT SHALL BE MAINTAINED.
 - N16 TRIMMER BARS TO BE PROVIDED ALL AROUND.
 - REINFORCEMENT MAY BE SHOWN DIAGRAMMATICALLY AND MAY NOT NECESSARILY BE IN TRUE PROJECTION.
 - THE MINIMUM LAPPED SPLICE FOR MESH SHALL BE MADE SO THAT THE OUTERMOST CROSS BARS OF ONE SHEET OVERLAP THE TWO OUTERMOST BARS CROSS BARS OF THE SHEET BEING LAPPED AS SHOWN BELOW.

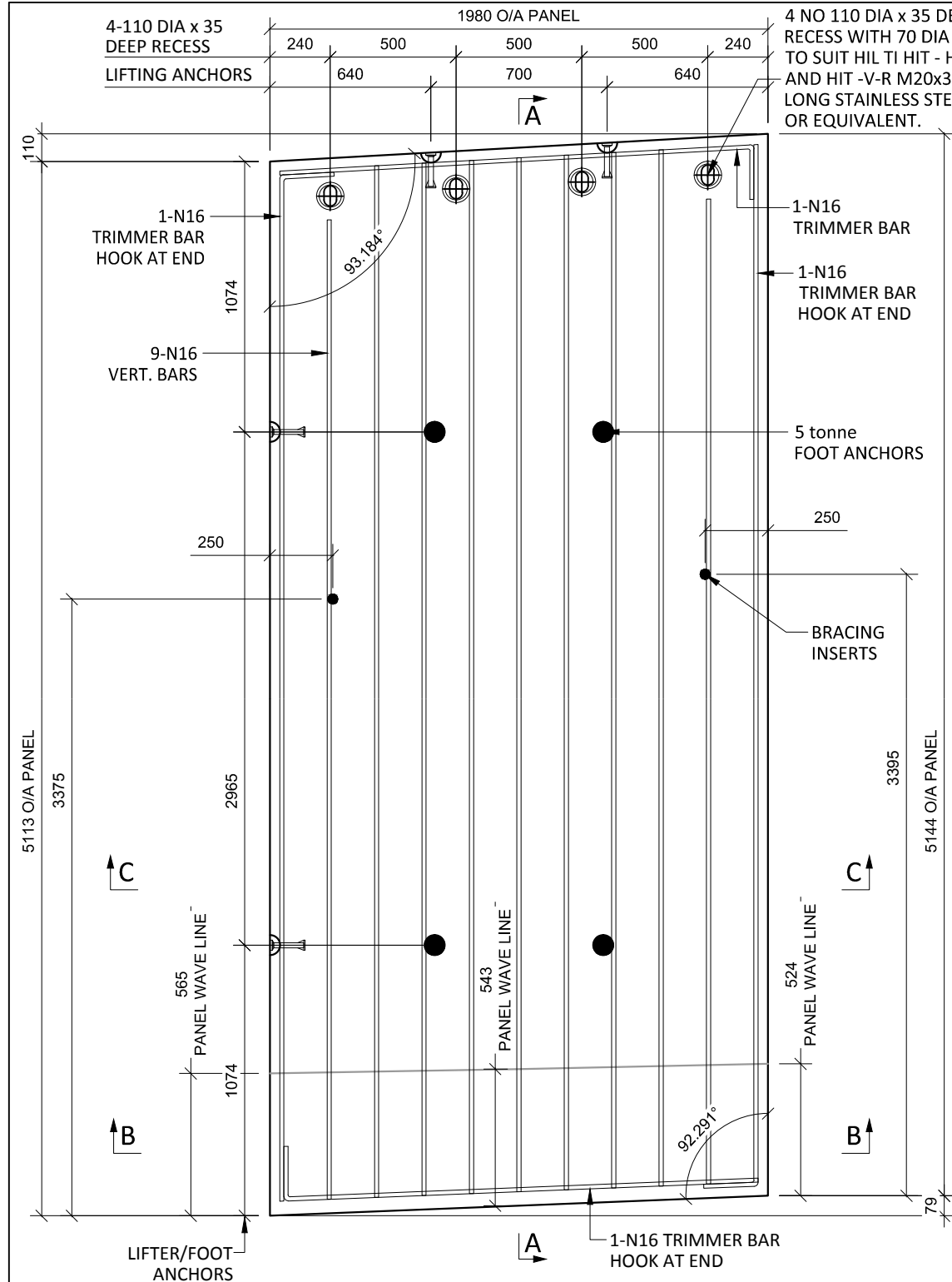
BAR SIZE:	N12	N16	N20	N24
a) HORIZONTAL BARS WITH >300mm OF CONCRETE CAST BELOW THE BAR	500	700	1000	1300
b) OTHER BARS	350	550	750	1000

INSPECTION <input type="checkbox"/> TEST PLAN		
INSPECTED BY		
NAME OF FABRICATOR		
UNIT NO.		
CAST DATE		
CAST TIME		
CONCRETE DOCKET NO.		
CONCRETE SPECIF. (MPa)		
ITEM	FABRICATOR INITIAL	APPROVED Y / N
MOULD CLEANLINESS		
RELEASE OIL		
DIMENSIONS		
FORMWORK FIXED		
OPENING / REBATES CORRECT <input type="checkbox"/> POSITION		
HOLD POINT		
REINFORCING CORRECT		
LAPS <input type="checkbox"/> SPLICES CORRECT		
SPACING <input type="checkbox"/> COVER CORRECT		
HOLD POINT		
LIFTERS POSITIONED CORRECTLY		
CAST - IN ITEMS		
STARTERS/CLACING BARS		
APPROVED FOR CASTING		
POST POUR INSPECTION		
INSPECTED BY		
DATE		
ITEM	APPROVED Y / N	
SWIFTLIFTS POSITION		
SWIFTLIFTS RECESS CLEANED		
CAST-IN ITEMS CLEANED		
CONCRETE FINISH		
LABELLED (NUMBER / DATED)		
DAMAGE (CRACKS / CHIPPING)		
CLEANLINESS		
ANY ACTION REQUIRED: URBAN DESIGN PANEL FINISH/ BUBBLE EFFECT FINISH		
APPROVED FOR DISPATCH		
SLING ANGLE TO BE NOT LESS THAN 60° TO HORIZONTAL WHEN LIFTING		
40c TO ALL EDGES <input type="checkbox"/> FACES (UNO)		
Area (m ²)	10.20	
Vol (m ³)	1.85	
Wt. (t)	4.63	
MPa	40MPa	
FINISH	FRONT FACE URBAN DESIGN PANEL FINISH/ BUBBLE EFFECT FINISH	
NO: OFF	1	

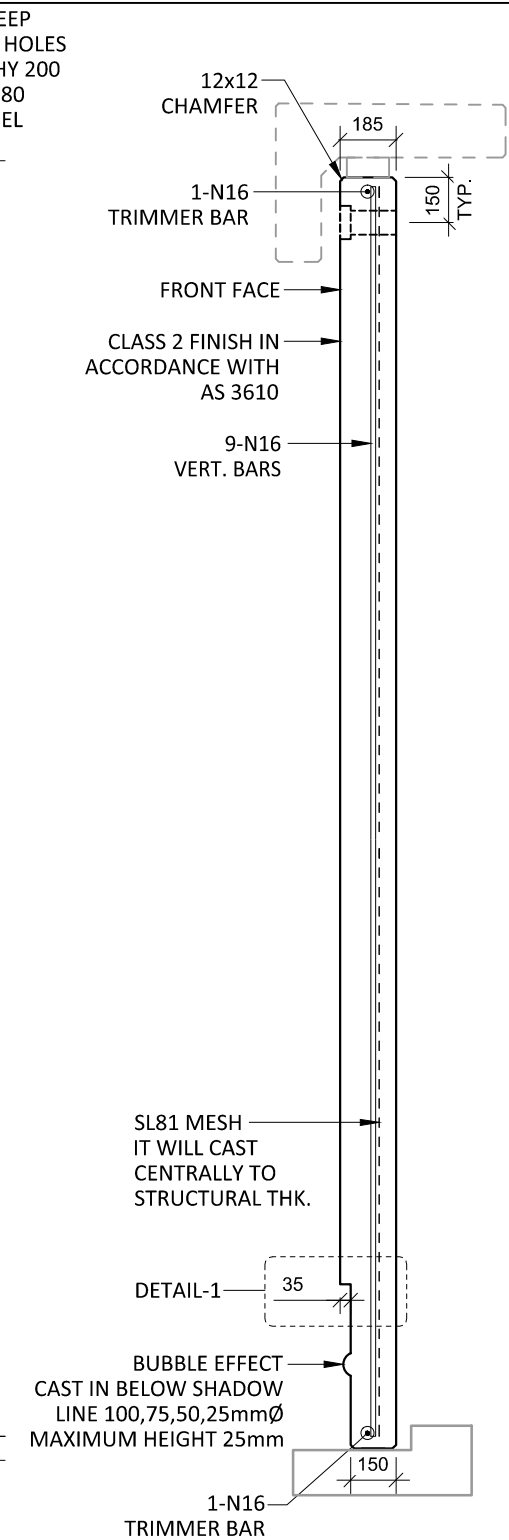
REV.	DATE	DESCRIPTION	DRAWN	APPROVED
0	20/12/18	ISSUED FOR CONSTRUCTION	JM	

Contractor	Job	Project	Title	DRAWN	Date	Lot No.	163A	
							Designer	NORTHERN BEACHES COUNCIL NORTHERN BEACHES HOSPITAL CONNECTIVITY AND NETWORK ENHANCEMENT

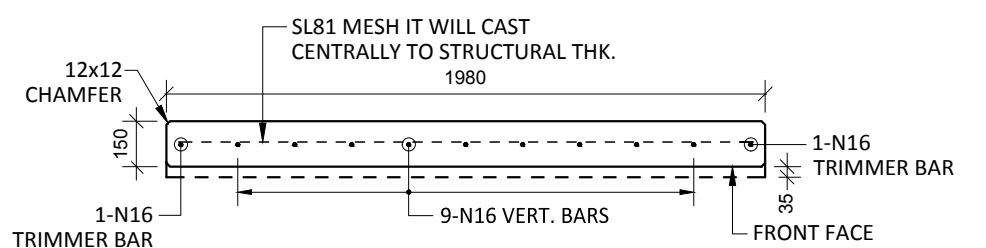
COPYRIGHT RESERVED



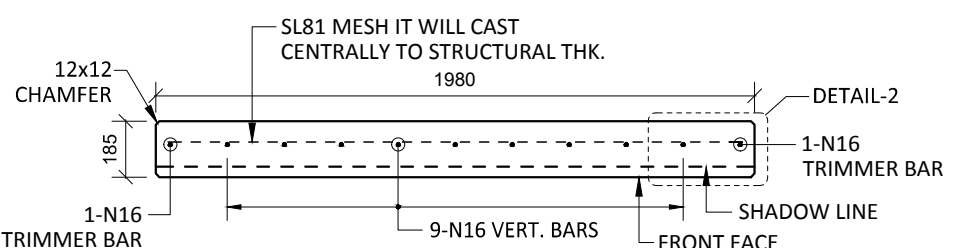
A14 PLAN AS CAST - 150/185 THK
SCALE :- 1:25



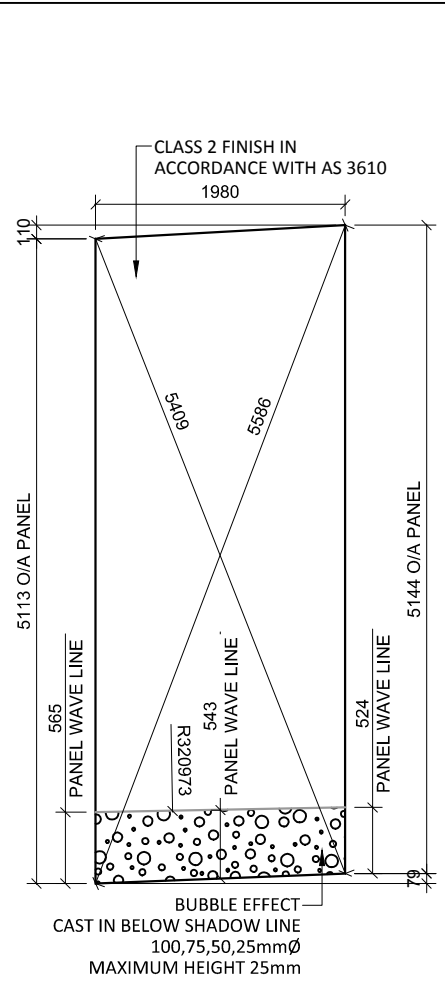
SECTION A-A
SCALE :- 1:25



SECTION B-B
SCALE :- 1:25



SECTION C-C
SCALE :- 1:25

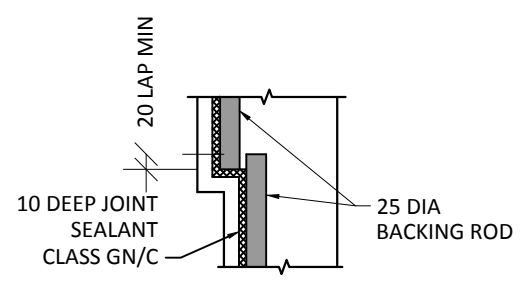


VIEWED AS CAST
SCALE :- 1:25

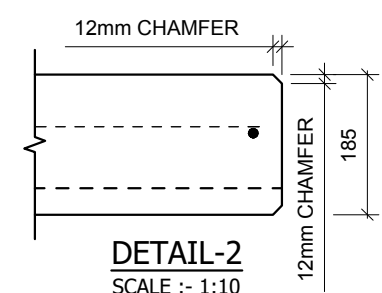
- NOTES. CONCRETE**
- CONCRETE SHALL HAVE A MIN. 28 DAY COMPRESSIVE STRENGTH OF 40MPa.
 - PLACING AND CURING OF CONCRETE SHALL COMPLY WITH RMS D+C SPECIFICATION B80.
 - ALL CORNERS SHALL HAVE 12mmx12mm FILLETS OR CHAMFERS - U.N.O. ON DRAWINGS.
 - CONCRETE EXPOSURE CLASSIFICATION: B1 TO RMS D+C SPECIFICATION B80 UNO.
 - CONCRETE MIX SHALL BE IN ACCORDANCE WITH RMS D+C SPECIFICATION B80.
 - LIFTERS HDG & ALL FIXING ARE SS.

- REINFORCING**
- COVER: 40mm U.O.N
 - ALL REINFORCEMENT SHALL COMPLY WITH AS4671 GRADE D500N (TYPICAL).
 - SPACING: TO BE TAKEN AS EVEN UNLESS NOTED OTHERWISE.
 - BENDING: BAR BENDING & HOOK DETAILS SHALL BE IN ACCORDANCE WITH AS5100.5.
 - WHERE REBATES OR RECESSES ARE REQUIRED, MIN. CLEAR COVER TO THE REINFORCEMENT SHALL BE MAINTAINED.
 - N16 TRIMMER BARS TO BE PROVIDED ALL AROUND.
 - REINFORCEMENT MAY BE SHOWN DIAGRAMMATICALLY AND MAY NOT NECESSARILY BE IN TRUE PROJECTION.
 - THE MINIMUM LAPPED SPLICE FOR MESH SHALL BE MADE SO THAT THE OUTERMOST CROSS BARS OF ONE SHEET OVERLAP THE TWO OUTERMOST BARS CROSS BARS OF THE SHEET BEING LAPPED AS SHOWN BELOW.
 - UNLESS OTHERWISE SPECIFIED, THE MINIMUM DEVELOPMENT LENGTHS AND LENGTHS OF LAPS SHALL BE AS FOLLOWS:

BAR SIZE:	N12	N16	N20	N24
a) HORIZONTAL BARS WITH >300mm OF CONCRETE CAST BELOW THE BAR	500	700	1000	1300
b) OTHER BARS	350	550	750	1000



DETAIL-1
SCALE :- 1:10



DETAIL-2
SCALE :- 1:10

INSPECTION <input type="checkbox"/> TEST PLAN	
INSPECTED BY	
NAME OF FABRICATOR	
UNIT NO.	
CAST DATE	
CAST TIME	
CONCRETE DOCKET NO.	
CONCRETE SPECIF. (MPa)	

ITEM	FABRICATOR INITIAL	APPROVED Y / N
MOULD CLEANLINESS		
RELEASE OIL		
DIMENSIONS		
FORMWORK FIXED		
OPENING / REBATES CORRECT <input type="checkbox"/> POSITION		
HOLD POINT		
REINFORCING CORRECT		
LAPS <input type="checkbox"/> SPLICES CORRECT		
SPACING <input type="checkbox"/> COVER CORRECT		
HOLD POINT		
LIFTERS POSITIONED CORRECTLY		
CAST - IN ITEMS		
STARTERS/CLACING BARS		
APPROVED FOR CASTING		

POST POUR INSPECTION	
INSPECTED BY	
DATE	

ITEM	APPROVED Y / N
SWIFTLIFTS POSITION	
SWIFTLIFTS RECESS CLEANED	
CAST-IN ITEMS CLEANED	
CONCRETE FINISH	
LABELLED (NUMBER / DATED)	
DAMAGE (CRACKS / CHIPPING)	
CLEANLINESS	

ANY ACTION REQUIRED:
URBAN DESIGN PANEL FINISH/
BUBBLE EFFECT FINISH

APPROVED FOR DISPATCH

SLING ANGLE TO BE NOT LESS THAN 60° TO HORIZONTAL WHEN LIFTING

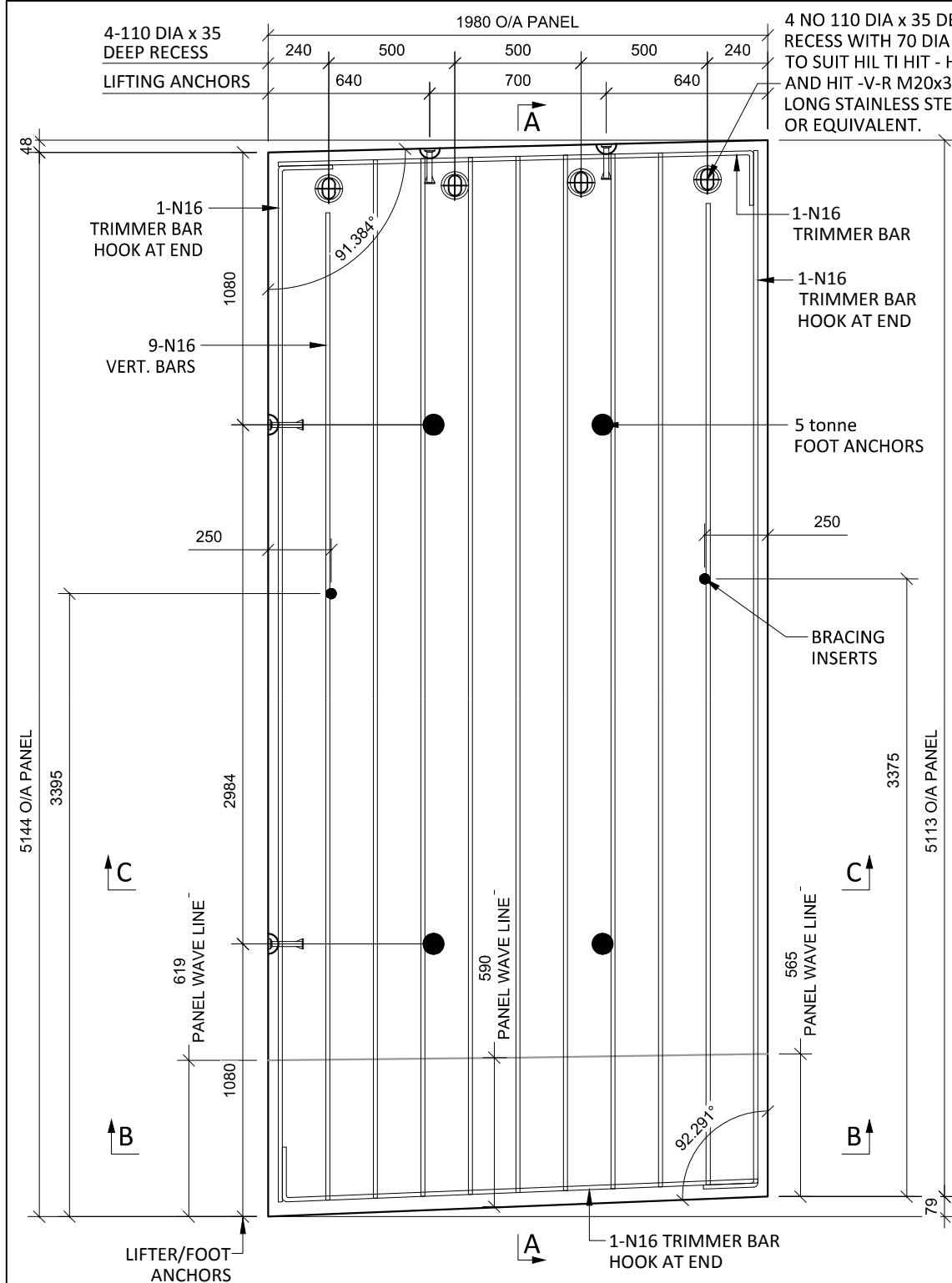
40c TO ALL EDGES FACES (UNO)

Area (m ²)	10.15
Vol (m ³)	1.84
Wt. (t)	4.60
MPa	40MPa
FINISH	FRONT FACE URBAN DESIGN PANEL FINISH/ BUBBLE EFFECT FINISH
NO: OFF	1

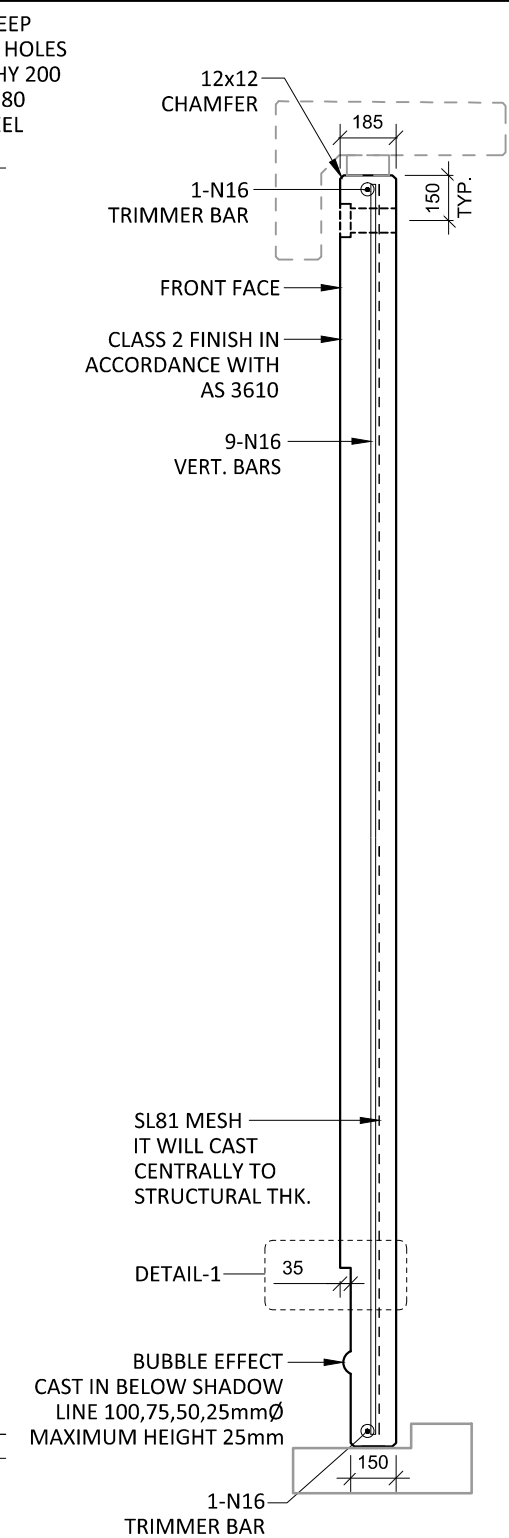
REV.	DATE	DESCRIPTION	DRAWN	APPROVED
0	20/12/18	ISSUED FOR CONSTRUCTION	JM	

Contractor	Job	Project	Title	Drawn	Checked	Date	Scale (A3)	Lot No.	REV.
Designer	NORTHERN BEACHES COUNCIL NORTHERN BEACHES HOSPITAL CONNECTIVITY AND NETWORK ENHANCEMENT		BRIDGE OVER WARRINGAH ROAD AT HILMER STREET PRECAST FASCIA PANEL A14	JM	HP	20/12/18	1:10 1:25 1:60	163A	0

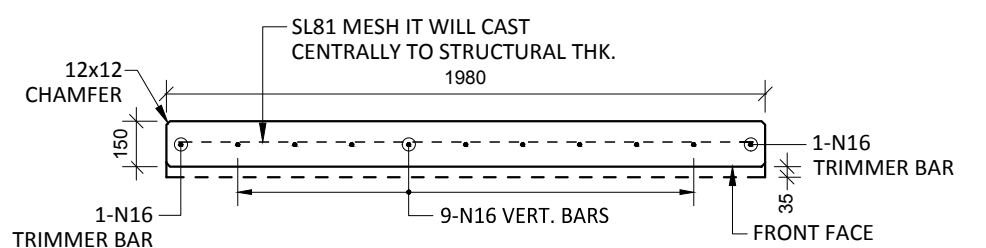
COPYRIGHT RESERVED



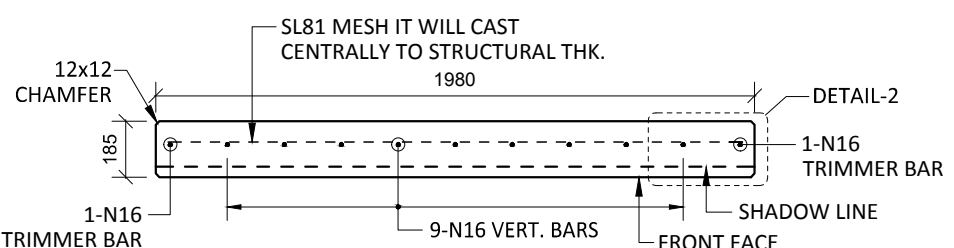
A15 PLAN AS CAST - 150/185 THK
SCALE :- 1:25



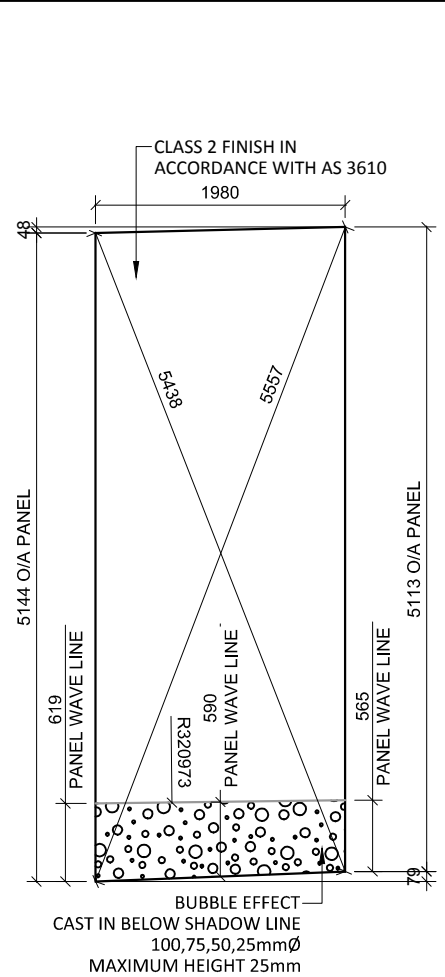
SECTION A-A
SCALE :- 1:25



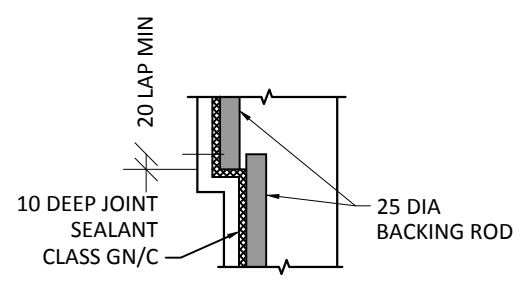
SECTION B-B
SCALE :- 1:25



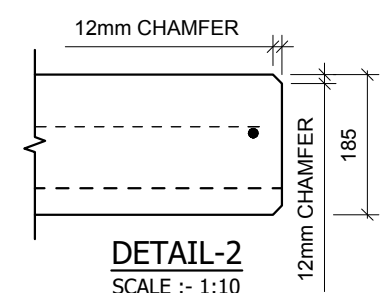
SECTION C-C
SCALE :- 1:25



VIEWED AS CAST
SCALE :- 1:25



DETAIL-1
SCALE :- 1:10



DETAIL-2
SCALE :- 1:10

- NOTES.**
- CONCRETE**
- CONCRETE SHALL HAVE A MIN. 28 DAY COMPRESSIVE STRENGTH OF 40MPa.
 - PLACING AND CURING OF CONCRETE SHALL COMPLY WITH RMS D+C SPECIFICATION B80.
 - ALL CORNERS SHALL HAVE 12mmx12mm FILLETS OR CHAMFERS - U.N.O. ON DRAWINGS.
 - CONCRETE EXPOSURE CLASSIFICATION: B1 TO RMS D+C SPECIFICATION B80 UNO.
 - CONCRETE MIX SHALL BE IN ACCORDANCE WITH RMS D+C SPECIFICATION B80.
 - LIFTERS HDG & ALL FIXING ARE SS.

- REINFORCING**
- COVER: 40mm U.O.N
 - ALL REINFORCEMENT SHALL COMPLY WITH AS4671 GRADE D500N (TYPICAL).
 - SPACING: TO BE TAKEN AS EVEN UNLESS NOTED OTHERWISE.
 - BENDING: BAR BENDING & HOOK DETAILS SHALL BE IN ACCORDANCE WITH AS5100.5.
 - WHERE REBATES OR RECESSES ARE REQUIRED, MIN. CLEAR COVER TO THE REINFORCEMENT SHALL BE MAINTAINED.
 - N16 TRIMMER BARS TO BE PROVIDED ALL AROUND.
 - REINFORCEMENT MAY BE SHOWN DIAGRAMMATICALLY AND MAY NOT NECESSARILY BE IN TRUE PROJECTION.
 - THE MINIMUM LAPPED SPLICE FOR MESH SHALL BE MADE SO THAT THE OUTERMOST CROSS BARS OF ONE SHEET OVERLAP THE TWO OUTERMOST BARS CROSS BARS OF THE SHEET BEING LAPPED AS SHOWN BELOW.

BAR SIZE:	N12	N16	N20	N24
a) HORIZONTAL BARS WITH >300mm OF CONCRETE CAST BELOW THE BAR	500	700	1000	1300
b) OTHER BARS	350	550	750	1000

INSPECTION <input type="checkbox"/> TEST PLAN	
INSPECTED BY	
NAME OF FABRICATOR	
UNIT NO.	
CAST DATE	
CAST TIME	
CONCRETE DOCKET NO.	
CONCRETE SPECIF. (MPa)	

ITEM	FABRICATOR INITIAL	APPROVED Y / N
MOULD CLEANLINESS		
RELEASE OIL		
DIMENSIONS		
FORMWORK FIXED		
OPENING / REBATES CORRECT <input type="checkbox"/> POSITION		
HOLD POINT		
REINFORCING CORRECT		
LAPS <input type="checkbox"/> SPLICES CORRECT		
SPACING <input type="checkbox"/> COVER CORRECT		
HOLD POINT		
LIFTERS POSITIONED CORRECTLY		
CAST - IN ITEMS		
STARTERS/CLACING BARS		
APPROVED FOR CASTING		

POST POUR INSPECTION	
INSPECTED BY	
DATE	

ITEM	APPROVED Y / N
SWIFTLIFTS POSITION	
SWIFTLIFTS RECESS CLEANED	
CAST-IN ITEMS CLEANED	
CONCRETE FINISH	
LABELLED (NUMBER / DATED)	
DAMAGE (CRACKS / CHIPPING)	
CLEANLINESS	

ANY ACTION REQUIRED:
URBAN DESIGN PANEL FINISH/
BUBBLE EFFECT FINISH

APPROVED FOR DISPATCH

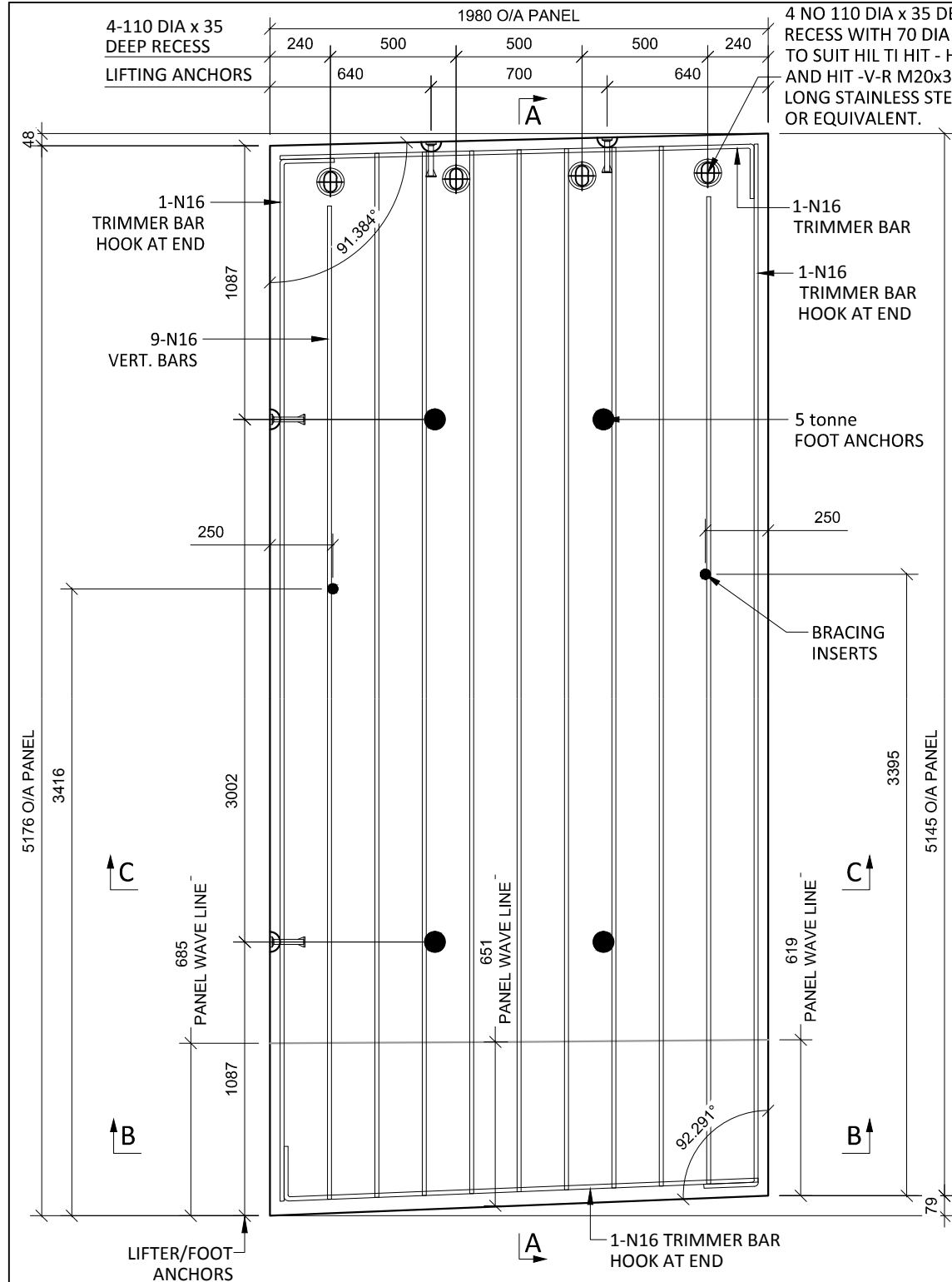
SLING ANGLE TO BE NOT LESS THAN 60° TO HORIZONTAL WHEN LIFTING

40c TO ALL EDGES FACES (UNO)

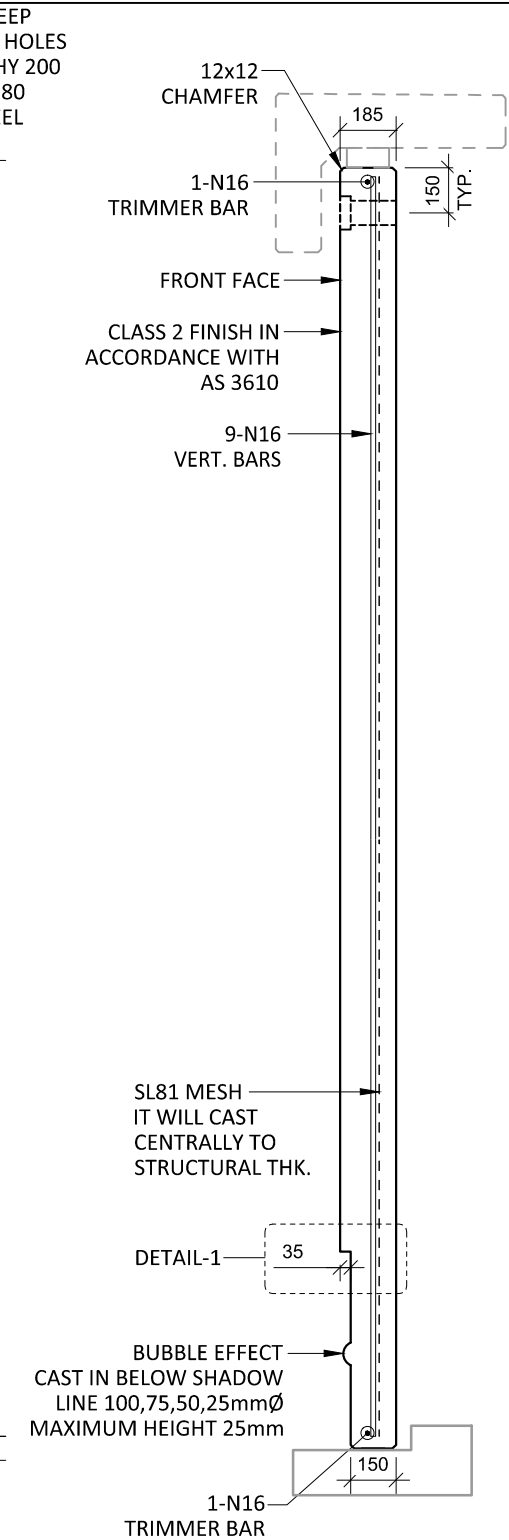
Area (m ²)	9.85
Vol (m ³)	1.79
Wt. (t)	4.48
MPa	40MPa
FINISH	FRONT FACE URBAN DESIGN PANEL FINISH/ BUBBLE EFFECT FINISH
NO: OFF	1

REV.	DATE	DESCRIPTION	DRAWN	APPROVED
0	20/12/18	ISSUED FOR CONSTRUCTION	JM	

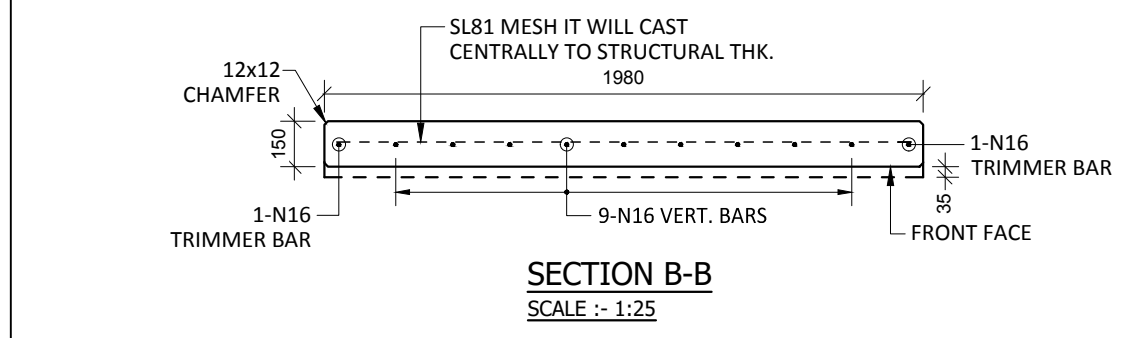
Contractor	Job	Project	Title	COPYRIGHT RESERVED	Drawn	JM	Date	20/12/18	Lot No.	163A
Designer	NORTHERN BEACHES COUNCIL NORTHERN BEACHES HOSPITAL CONNECTIVITY AND NETWORK ENHANCEMENT		BRIDGE OVER WARRINGAH ROAD AT HILMER STREET PRECAST FASCIA PANEL A15		Checked	HP	Scale (A3)	1:10 1:25 1:60	P-HS-A15	0



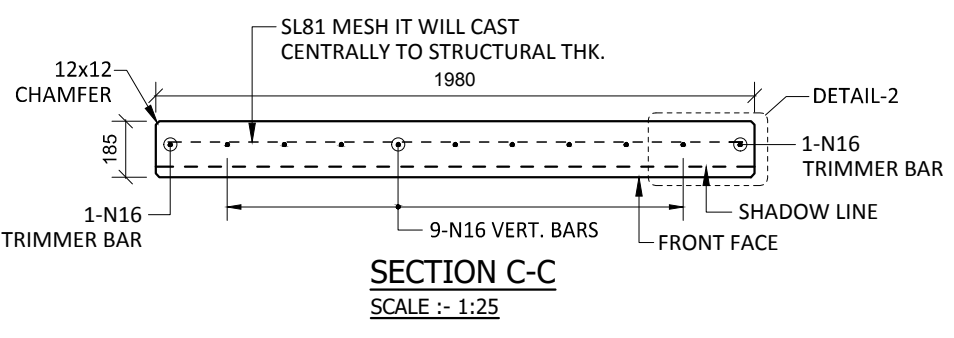
A16 PLAN AS CAST - 150/185 THK
SCALE :- 1:25



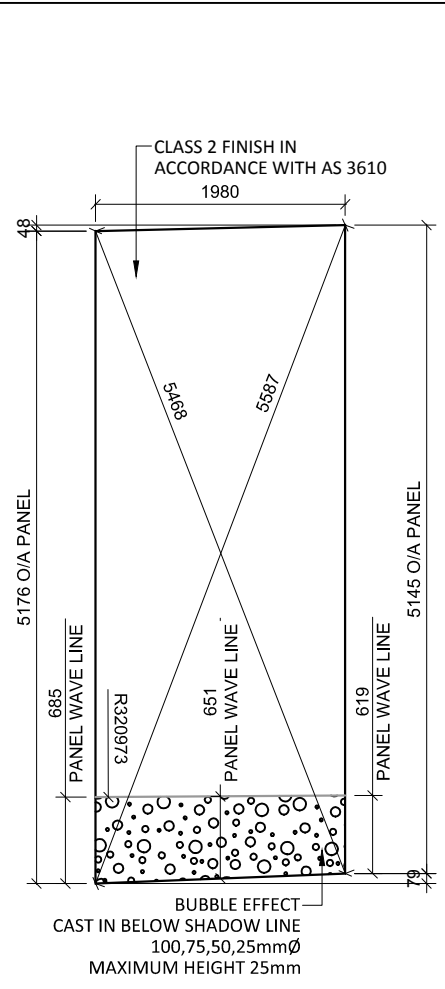
SECTION A-A
SCALE :- 1:25



SECTION B-B
SCALE :- 1:25



SECTION C-C
SCALE :- 1:25

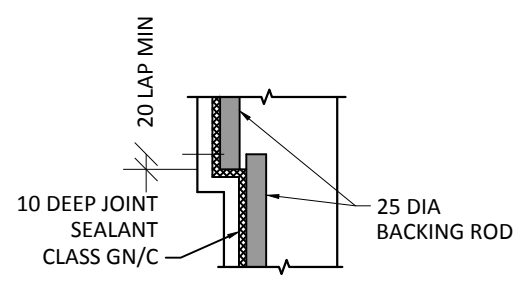


VIEWED AS CAST
SCALE :- 1:25

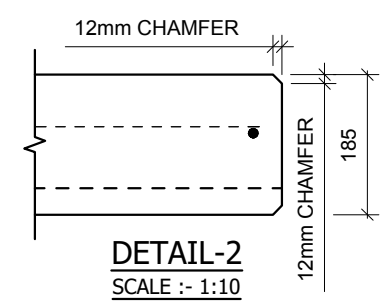
- NOTES. CONCRETE**
1. CONCRETE SHALL HAVE A MIN. 28 DAY COMPRESSIVE STRENGTH OF 40MPa.
 2. PLACING AND CURING OF CONCRETE SHALL COMPLY WITH RMS D+C SPECIFICATION B80.
 3. ALL CORNERS SHALL HAVE 12mmx12mm FILLETS OR CHAMFERS - U.N.O. ON DRAWINGS.
 4. CONCRETE EXPOSURE CLASSIFICATION: B1 TO RMS D+C SPECIFICATION B80 UNO.
 5. CONCRETE MIX SHALL BE IN ACCORDANCE WITH RMS D+C SPECIFICATION B80.
 6. LIFTERS HDG & ALL FIXING ARE SS.

- REINFORCING**
7. COVER: 40mm U.O.N
 8. ALL REINFORCEMENT SHALL COMPLY WITH AS4671 GRADE D500N (TYPICAL).
 9. SPACING: TO BE TAKEN AS EVEN UNLESS NOTED OTHERWISE.
 10. BENDING: BAR BENDING & HOOK DETAILS SHALL BE IN ACCORDANCE WITH AS5100.5.
 11. WHERE REBATES OR RECESSES ARE REQUIRED, MIN. CLEAR COVER TO THE REINFORCEMENT SHALL BE MAINTAINED.
 12. N16 TRIMMER BARS TO BE PROVIDED ALL AROUND.
 13. REINFORCEMENT MAY BE SHOWN DIAGRAMMATICALLY AND MAY NOT NECESSARILY BE IN TRUE PROJECTION.
 14. THE MINIMUM LAPPED SPLICE FOR MESH SHALL BE MADE SO THAT THE OUTERMOST CROSS BARS OF ONE SHEET OVERLAP THE TWO OUTERMOST BARS CROSS BARS OF THE SHEET BEING LAPPED AS SHOWN BELOW.

BAR SIZE:	N12	N16	N20	N24
a) HORIZONTAL BARS WITH >300mm OF CONCRETE CAST BELOW THE BAR	500	700	1000	1300
b) OTHER BARS	350	550	750	1000



DETAIL-1
SCALE :- 1:10



DETAIL-2
SCALE :- 1:10

INSPECTION <input type="checkbox"/> TEST PLAN	
INSPECTED BY	
NAME OF FABRICATOR	
UNIT NO.	
CAST DATE	
CAST TIME	
CONCRETE DOCKET NO.	
CONCRETE SPECIF. (MPa)	

ITEM	FABRICATOR INITIAL	APPROVED Y / N
MOULD CLEANLINESS		
RELEASE OIL		
DIMENSIONS		
FORMWORK FIXED		
OPENING / REBATES CORRECT <input type="checkbox"/> POSITION		
HOLD POINT		
REINFORCING CORRECT		
LAPS <input type="checkbox"/> SPLICES CORRECT		
SPACING <input type="checkbox"/> COVER CORRECT		
HOLD POINT		
LIFTERS POSITIONED CORRECTLY		
CAST - IN ITEMS		
STARTERS/CLACING BARS		
APPROVED FOR CASTING		

POST POUR INSPECTION	
INSPECTED BY	
DATE	

ITEM	APPROVED Y / N
SWIFTLIFTS POSITION	
SWIFTLIFTS RECESS CLEANED	
CAST-IN ITEMS CLEANED	
CONCRETE FINISH	
LABELLED (NUMBER / DATED)	
DAMAGE (CRACKS / CHIPPING)	
CLEANLINESS	

ANY ACTION REQUIRED:
URBAN DESIGN PANEL FINISH/
BUBBLE EFFECT FINISH

APPROVED FOR DISPATCH

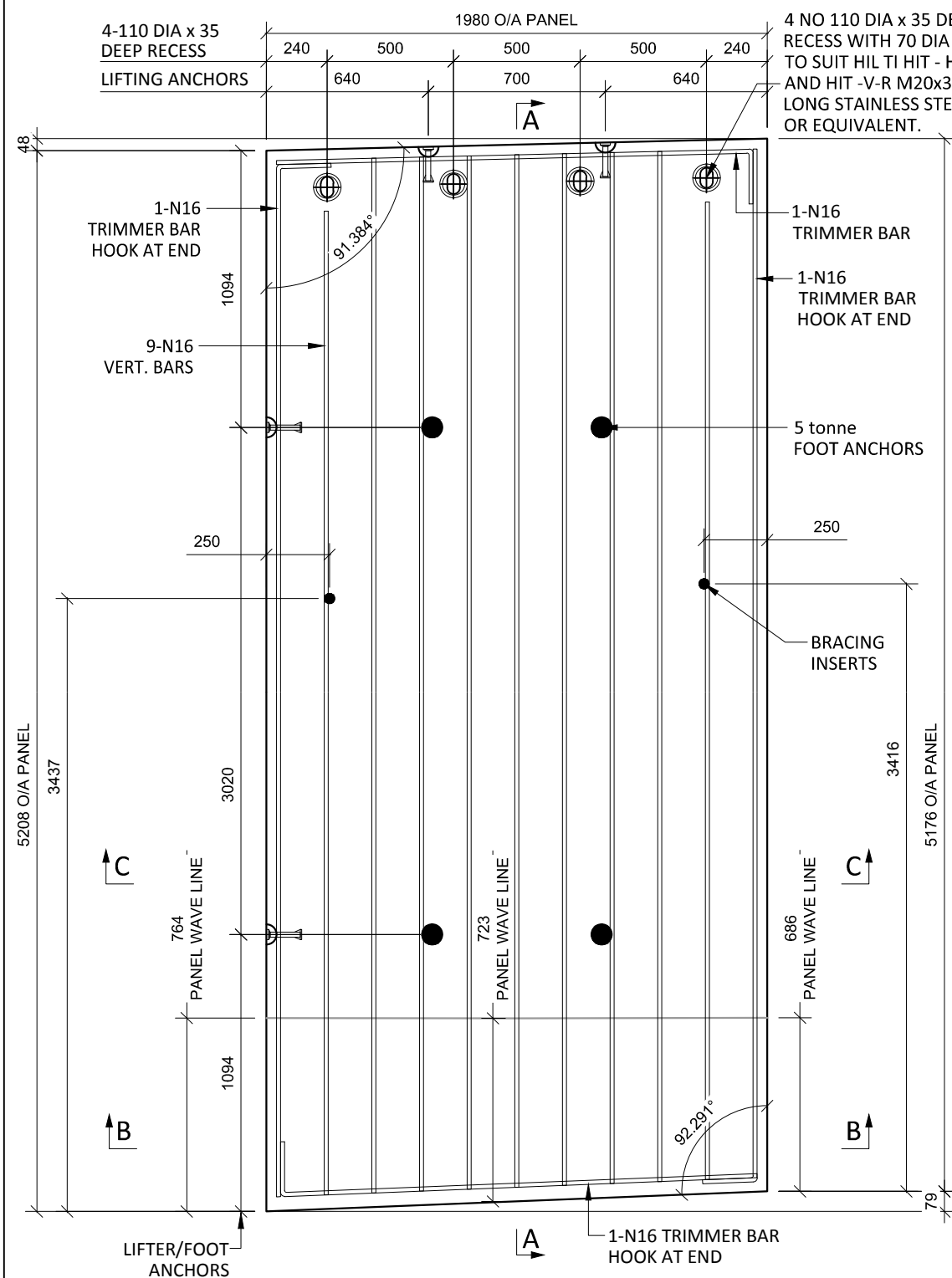
SLING ANGLE TO BE NOT LESS THAN 60° TO HORIZONTAL WHEN LIFTING

40c TO ALL EDGES FACES (UNO)

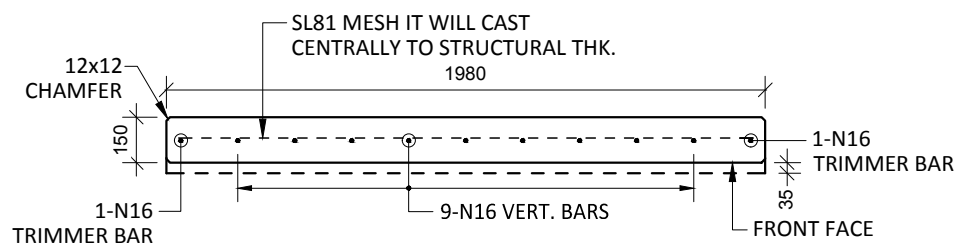
Area (m ²)	10.22
Vol (m ³)	1.85
Wt. (t)	4.61
MPa	40MPa
FINISH	FRONT FACE URBAN DESIGN PANEL FINISH/ BUBBLE EFFECT FINISH
NO: OFF	1

REV.	DATE	DESCRIPTION	DRAWN	APPROVED
0	20/12/18	ISSUED FOR CONSTRUCTION	JM	

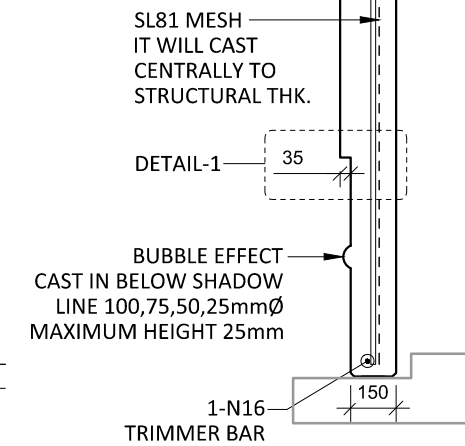
Contractor	Job	Project	Title	COPYRIGHT RESERVED	Drawn	JM	Date	20/12/18	Lot No.	163A
Designer	NORTHERN BEACHES COUNCIL NORTHERN BEACHES HOSPITAL CONNECTIVITY AND NETWORK ENHANCEMENT	BRIDGE OVER WARRINGAH ROAD AT HILMER STREET PRECAST FASCIA PANEL A16	Checked		HP	Scale (A3)	1:10 1:25 1:60	P-HS-A16	0	REV.



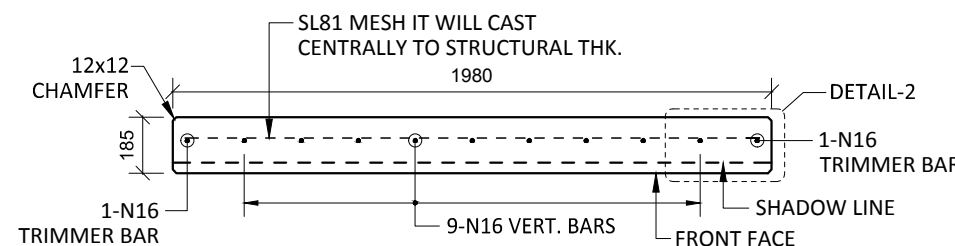
A17 PLAN AS CAST - 150/185 THK
SCALE :- 1:25



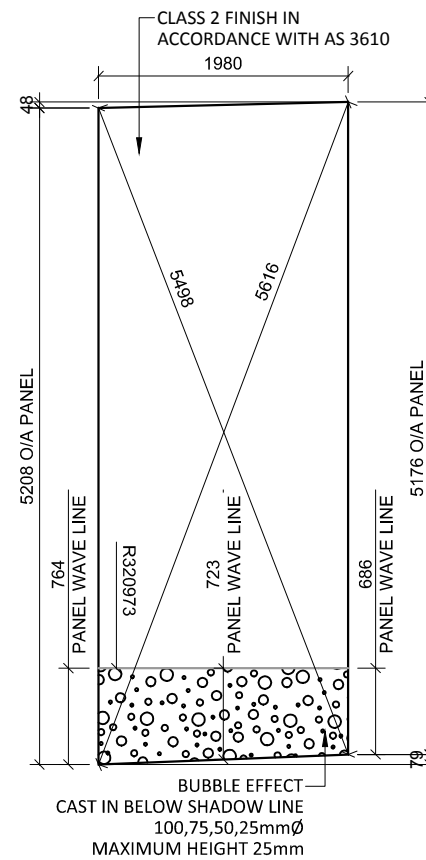
SECTION B-B
SCALE :- 1:25



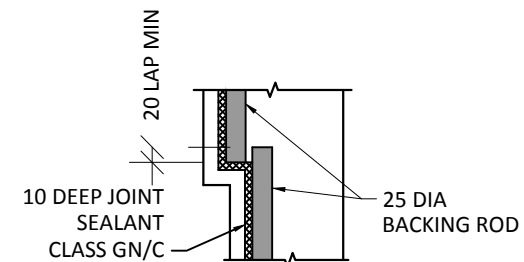
SECTION A-A
SCALE :- 1:25



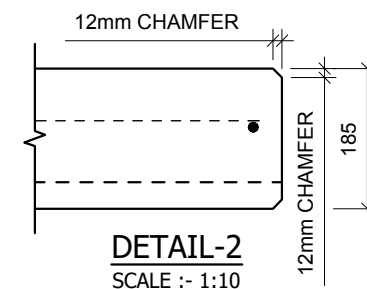
SECTION C-C
SCALE :- 1:25



VIEWED AS CAST
SCALE :- 1:25



DETAIL-1
SCALE :- 1:10



DETAIL-2
SCALE :- 1:10

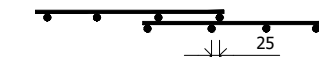
NOTES.
CONCRETE

- CONCRETE SHALL HAVE A MIN. 28 DAY COMPRESSIVE STRENGTH OF 40MPa.
- PLACING AND CURING OF CONCRETE SHALL COMPLY WITH RMS D+C SPECIFICATION B80.
- ALL CORNERS SHALL HAVE 12mmx12mm FILLETS OR CHAMFERS - U.N.O. ON DRAWINGS.
- CONCRETE EXPOSURE CLASSIFICATION: B1 TO RMS D+C SPECIFICATION B80 UNO.
- CONCRETE MIX SHALL BE IN ACCORDANCE WITH RMS D+C SPECIFICATION B80.
- LIFTERS HDG & ALL FIXING ARE SS.

REINFORCING

- COVER: 40mm U.O.N
- ALL REINFORCEMENT SHALL COMPLY WITH AS4671 GRADE D500N (TYPICAL).
- SPACING: TO BE TAKEN AS EVEN UNLESS NOTED OTHERWISE.
- BENDING: BAR BENDING & HOOK DETAILS SHALL BE IN ACCORDANCE WITH AS5100.5.
- WHERE REBATES OR RECESSES ARE REQUIRED, MIN. CLEAR COVER TO THE REINFORCEMENT SHALL BE MAINTAINED.
- N16 TRIMMER BARS TO BE PROVIDED ALL AROUND.
- REINFORCEMENT MAY BE SHOWN DIAGRAMMATICALLY AND MAY NOT NECESSARILY BE IN TRUE PROJECTION.
- THE MINIMUM LAPPED SPLICE FOR MESH SHALL BE MADE SO THAT THE OUTERMOST CROSS BARS OF ONE SHEET OVERLAP THE TWO OUTERMOST BARS CROSS BARS OF THE SHEET BEING LAPPED AS SHOWN BELOW.
- UNLESS OTHERWISE SPECIFIED, THE MINIMUM DEVELOPMENT LENGTHS AND LENGTHS OF LAPS SHALL BE AS FOLLOWS:

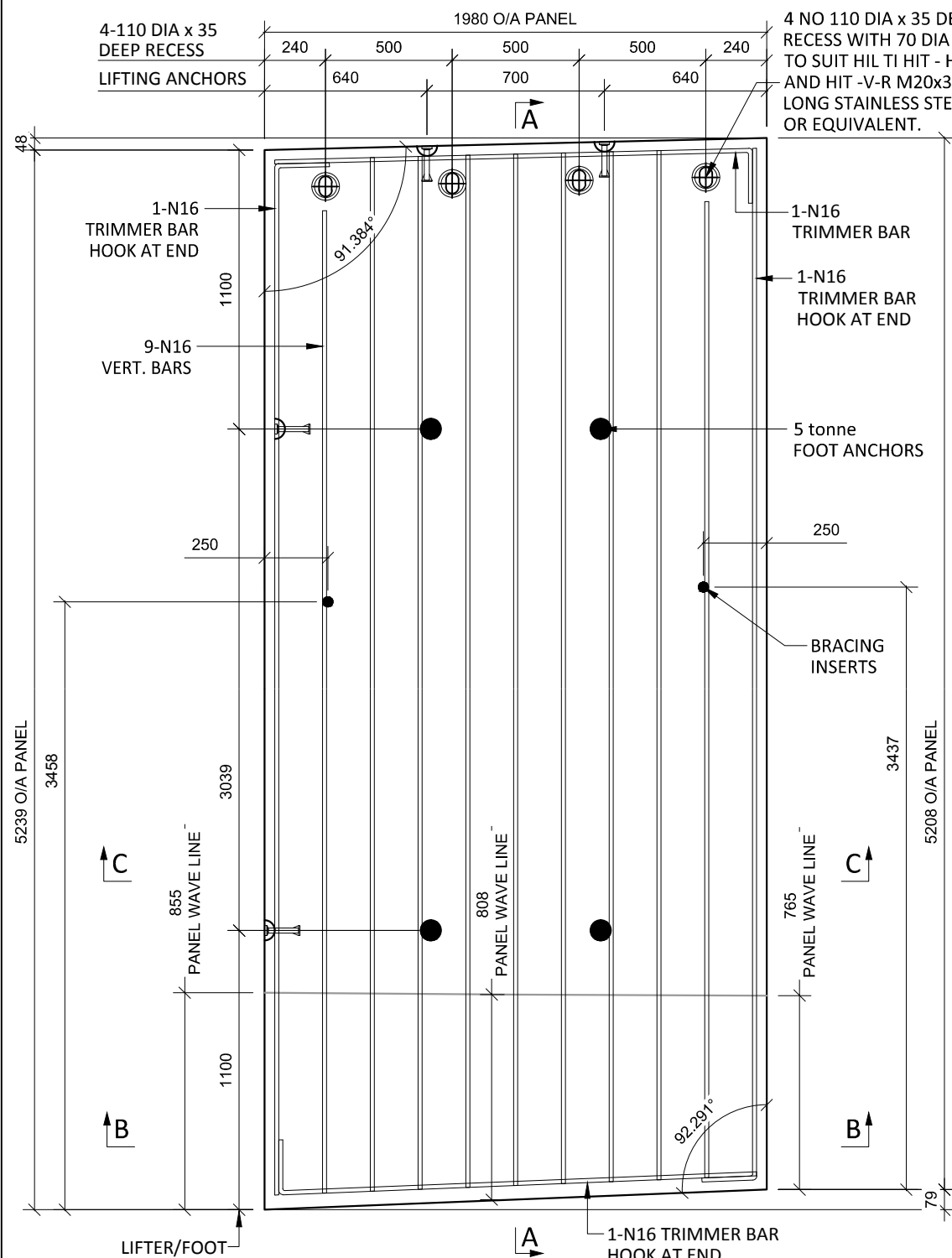
BAR SIZE:	N12	N16	N20	N24
a) HORIZONTAL BARS WITH >300mm OF CONCRETE CAST BELOW THE BAR	500	700	1000	1300
b) OTHER BARS	350	550	750	1000



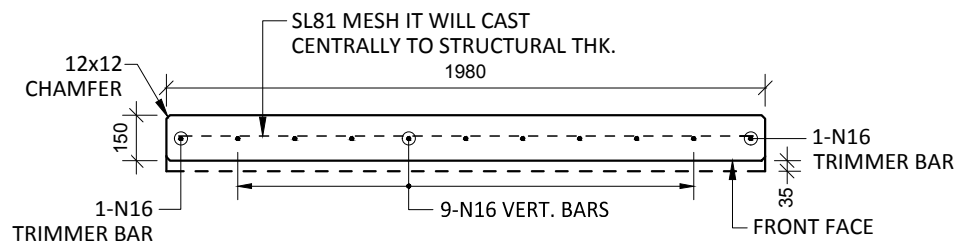
INSPECTION <input type="checkbox"/> TEST PLAN		
INSPECTED BY		
NAME OF FABRICATOR		
UNIT NO.		
CAST DATE		
CAST TIME		
CONCRETE DOCKET NO.		
CONCRETE SPECIF. (MPa)		
ITEM	FABRICATOR APPROVED	INITIAL Y / N
MOULD CLEANLINESS		
RELEASE OIL		
DIMENSIONS		
FORMWORK FIXED		
OPENING / REBATES CORRECT <input type="checkbox"/> POSITION		
HOLD POINT		
REINFORCING CORRECT		
LAPS <input type="checkbox"/> SPLICES CORRECT		
SPACING <input type="checkbox"/> COVER CORRECT		
HOLD POINT		
LIFTERS POSITIONED CORRECTLY		
CAST - IN ITEMS		
STARTERS/CLACING BARS		
APPROVED FOR CASTING		
POST POUR INSPECTION		
INSPECTED BY		
DATE		
ITEM	APPROVED Y / N	
SWIFTLIFTS POSITION		
SWIFTLIFTS RECESS CLEANED		
CAST-IN ITEMS CLEANED		
CONCRETE FINISH		
LABELLED (NUMBER / DATED)		
DAMAGE (CRACKS / CHIPPING)		
CLEANLINESS		
ANY ACTION REQUIRED: URBAN DESIGN PANEL FINISH/ BUBBLE EFFECT FINISH		
APPROVED FOR DISPATCH		
SLING ANGLE TO BE NOT LESS THAN 60° TO HORIZONTAL WHEN LIFTING		
40c TO ALL EDGES <input type="checkbox"/> FACES (UNO)		
Area (m ²)	10.28	
Vol (m ³)	1.85	
Wt. (t)	4.63	
MPa	40MPa	
FINISH	FRONT FACE URBAN DESIGN PANEL FINISH/ BUBBLE EFFECT FINISH	
NO: OFF	1	

REV.	DATE	DESCRIPTION	DRAWN	APPROVED
0	20/12/18	ISSUED FOR CONSTRUCTION	JM	

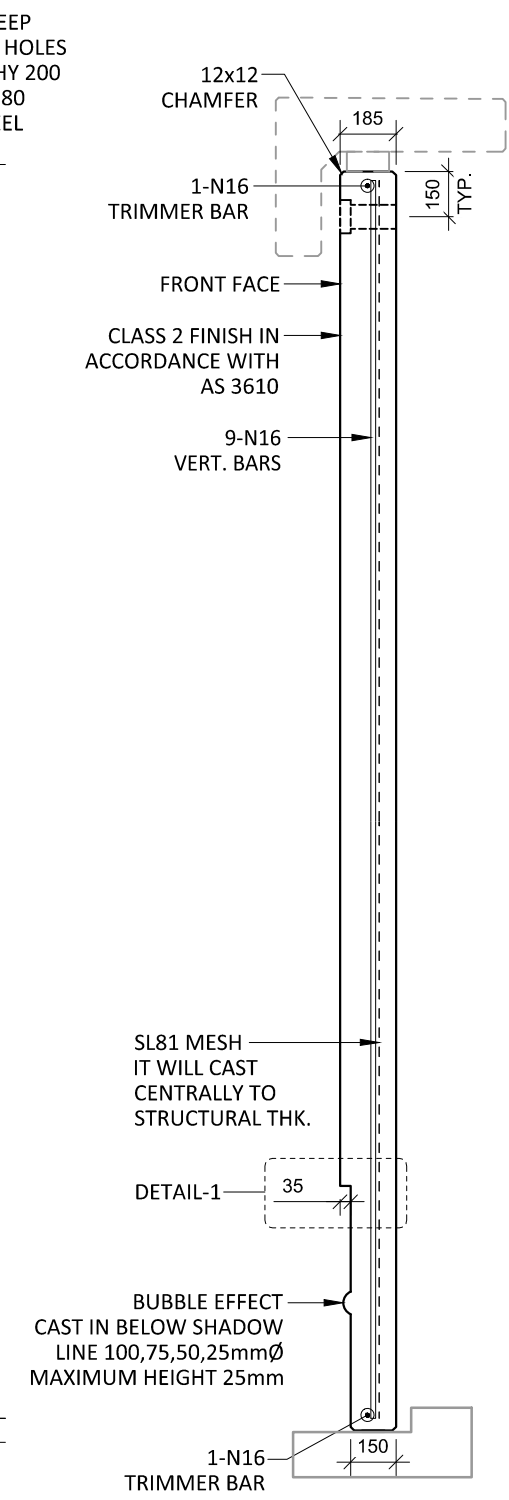
Contractor	Job	Project	Title	Copyright Reserved	Drawn	JM	Date	20/12/18	Lot No. 163A
					Designer	HP	Scale (A3)	1:10 1:25 1:60	
NORTHERN BEACHES COUNCIL NORTHERN BEACHES HOSPITAL CONNECTIVITY AND NETWORK ENHANCEMENT		BRIDGE OVER WARRINGAH ROAD AT HILMER STREET PRECAST FASCIA PANEL A17		Dwg No.		REV.			



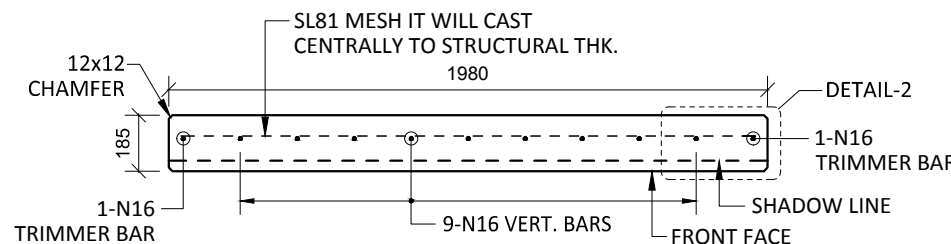
A18 PLAN AS CAST - 150/185 THK
SCALE :- 1:25



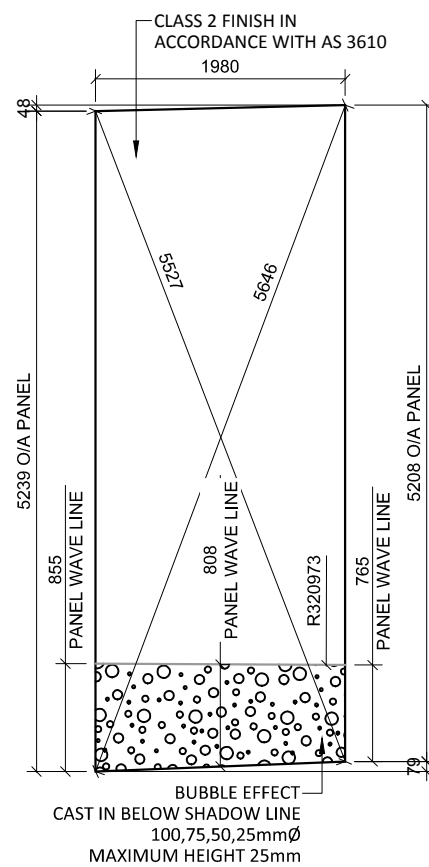
SECTION B-B
SCALE :- 1:25



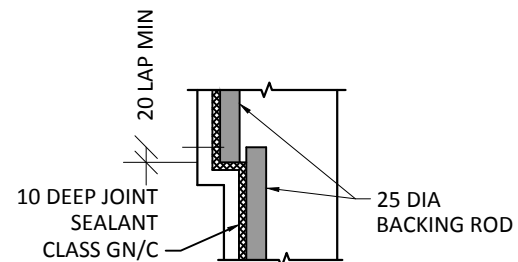
SECTION A-A
SCALE :- 1:25



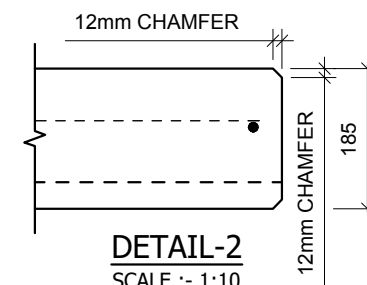
SECTION C-C
SCALE :- 1:25



VIEWED AS CAST
SCALE :- 1:25



DETAIL-1
SCALE :- 1:10



DETAIL-2
SCALE :- 1:10

NOTES.
CONCRETE

- CONCRETE SHALL HAVE A MIN. 28 DAY COMPRESSIVE STRENGTH OF 40MPa.
- PLACING AND CURING OF CONCRETE SHALL COMPLY WITH RMS D+C SPECIFICATION B80.
- ALL CORNERS SHALL HAVE 12mmx12mm FILLETS OR CHAMFERS - U.N.O. ON DRAWINGS.
- CONCRETE EXPOSURE CLASSIFICATION: B1 TO RMS D+C SPECIFICATION B80 UNO.
- CONCRETE MIX SHALL BE IN ACCORDANCE WITH RMS D+C SPECIFICATION B80.
- LIFTERS HDG & ALL FIXING ARE SS.

REINFORCING

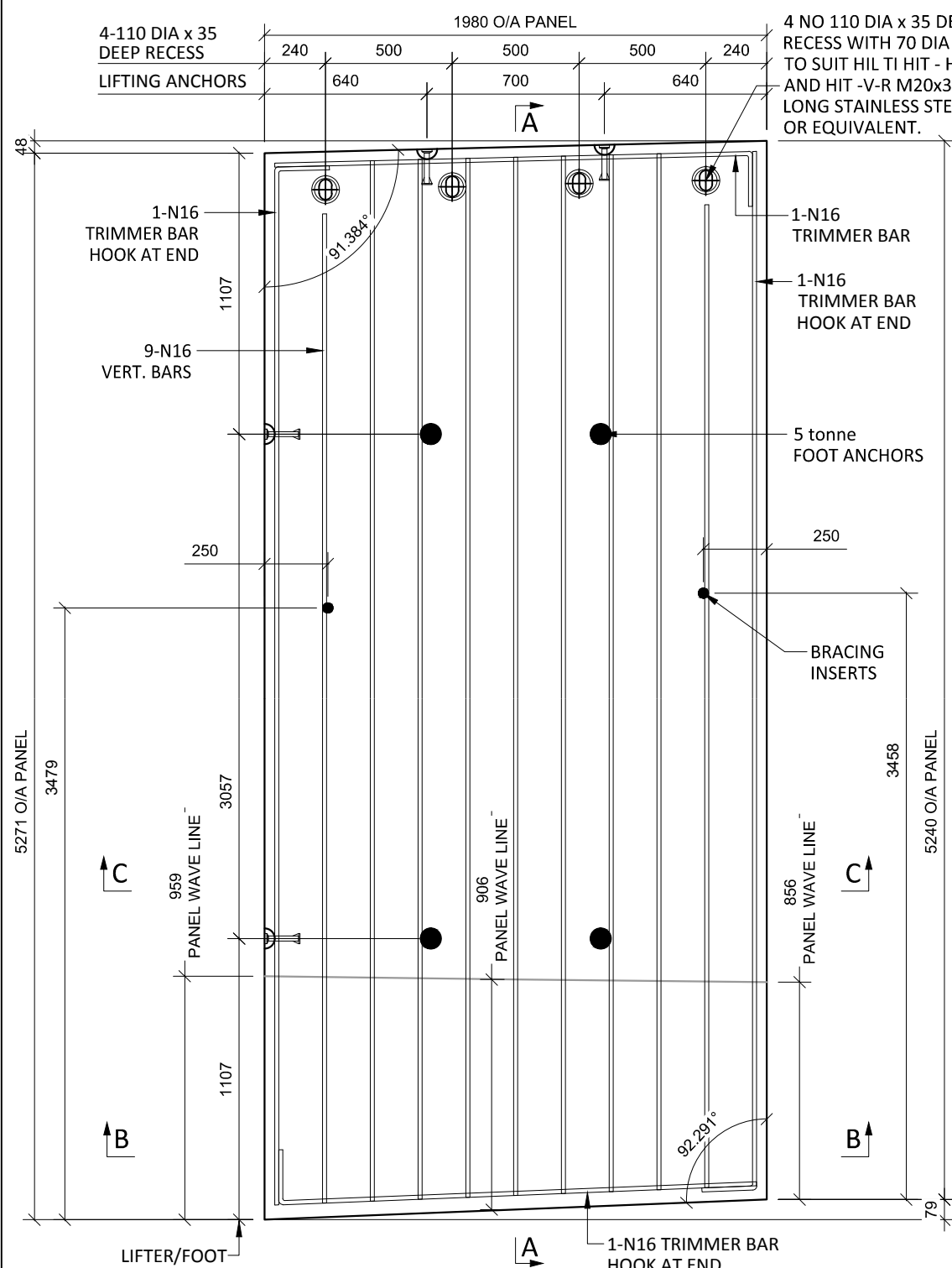
- COVER: 40mm U.O.N
- ALL REINFORCEMENT SHALL COMPLY WITH AS4671 GRADE D500N (TYPICAL).
- SPACING: TO BE TAKEN AS EVEN UNLESS NOTED OTHERWISE.
- BENDING: BAR BENDING & HOOK DETAILS SHALL BE IN ACCORDANCE WITH AS5100.5.
- WHERE REBATES OR RECESSES ARE REQUIRED, MIN. CLEAR COVER TO THE REINFORCEMENT SHALL BE MAINTAINED.
- N16 TRIMMER BARS TO BE PROVIDED ALL AROUND.
- REINFORCEMENT MAY BE SHOWN DIAGMATICALLY AND MAY NOT NECESSARILY BE IN TRUE PROJECTION.
- THE MINIMUM LAPPED SPLICE FOR MESH SHALL BE MADE SO THAT THE OUTERMOST CROSS BARS OF ONE SHEET OVERLAP THE TWO OUTERMOST BARS CROSS BARS OF THE SHEET BEING LAPPED AS SHOWN BELOW.
- UNLESS OTHERWISE SPECIFIED, THE MINIMUM DEVELOPMENT LENGTHS AND LENGTHS OF LAPS SHALL BE AS FOLLOWS:

BAR SIZE:	N12	N16	N20	N24
a) HORIZONTAL BARS WITH >300mm OF CONCRETE CAST BELOW THE BAR	500	700	1000	1300
b) OTHER BARS	350	550	750	1000

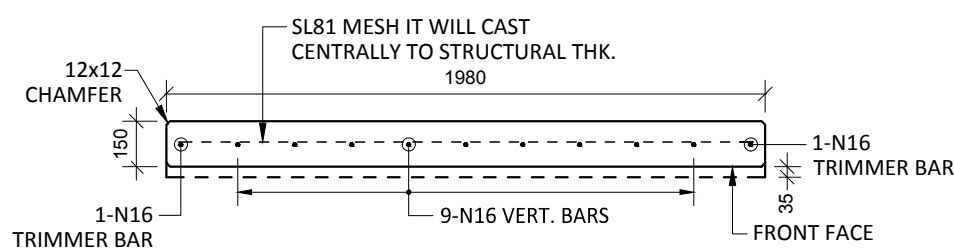
INSPECTION <input type="checkbox"/> TEST PLAN		
INSPECTED BY		
NAME OF FABRICATOR		
UNIT NO.		
CAST DATE		
CAST TIME		
CONCRETE DOCKET NO.		
CONCRETE SPECIF. (MPa)		
ITEM	FABRICATOR INITIAL	APPROVED Y / N
MOULD CLEANLINESS		
RELEASE OIL		
DIMENSIONS		
FORMWORK FIXED		
OPENING / REBATES CORRECT <input type="checkbox"/> POSITION		
HOLD POINT		
REINFORCING CORRECT		
LAPS <input type="checkbox"/> SPLICES CORRECT		
SPACING <input type="checkbox"/> COVER CORRECT		
HOLD POINT		
LIFTERS POSITIONED CORRECTLY		
CAST - IN ITEMS		
STARTERS <input type="checkbox"/> CLACING BARS		
APPROVED FOR CASTING		
POST POUR INSPECTION		
INSPECTED BY		
DATE		
ITEM	APPROVED Y / N	
SWIFTLIFTS POSITION		
SWIFTLIFTS RECESS CLEANED		
CAST-IN ITEMS CLEANED		
CONCRETE FINISH		
LABELLED (NUMBER / DATED)		
DAMAGE (CRACKS / CHIPPING)		
CLEANLINESS		
ANY ACTION REQUIRED: URBAN DESIGN PANEL FINISH/ BUBBLE EFFECT FINISH		
APPROVED FOR DISPATCH		
SLING ANGLE TO BE NOT LESS THAN 60° TO HORIZONTAL WHEN LIFTING		
40c <input type="checkbox"/> TO ALL EDGES <input type="checkbox"/> FACES (UNO)		
Area (m ²)	10.34	
Vol (m ³)	1.86	
Wt. (t)	4.64	
MPa	40MPa	
FINISH	FRONT FACE URBAN DESIGN PANEL FINISH/ BUBBLE EFFECT FINISH	
NO: OFF	1	

REV.	DATE	DESCRIPTION	DRAWN	APPROVED
0	20/12/18	ISSUED FOR CONSTRUCTION	JM	

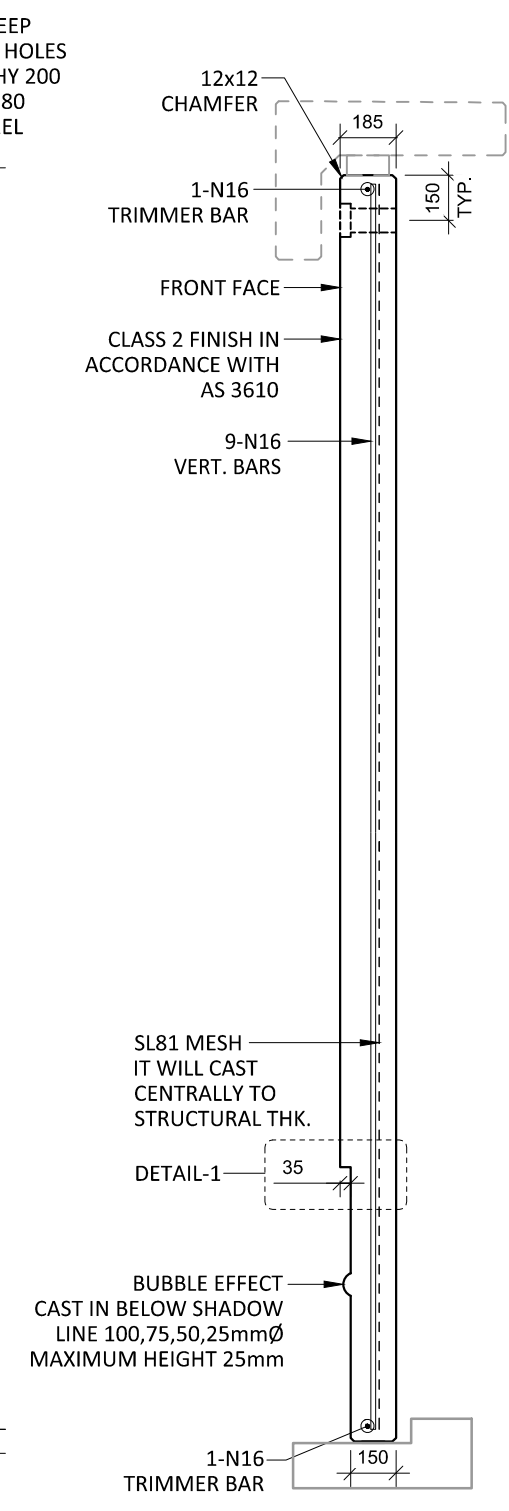
Contractor	Job	Project	Title	COPYRIGHT RESERVED	Drawn	JM	Date	20/12/18	Lot No.	163A
Designer	NORTHERN BEACHES COUNCIL NORTHERN BEACHES HOSPITAL CONNECTIVITY AND NETWORK ENHANCEMENT	BRIDGE OVER WARRINGAH ROAD AT HILMER STREET PRECAST FASCIA PANEL A18	Checked		HP	Scale (A3)	1:10 1:25 1:60	P-HS-A18	0	REV.



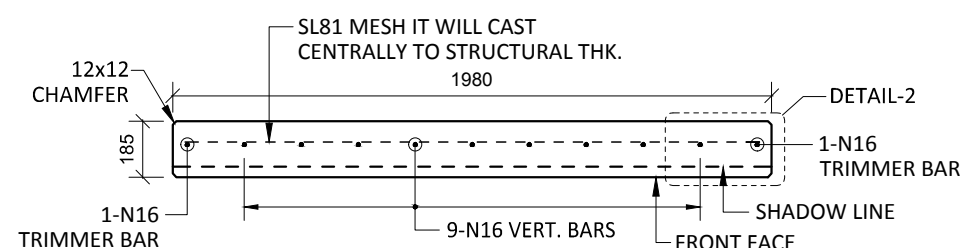
A19 PLAN AS CAST - 150/185 THK
SCALE :- 1:25



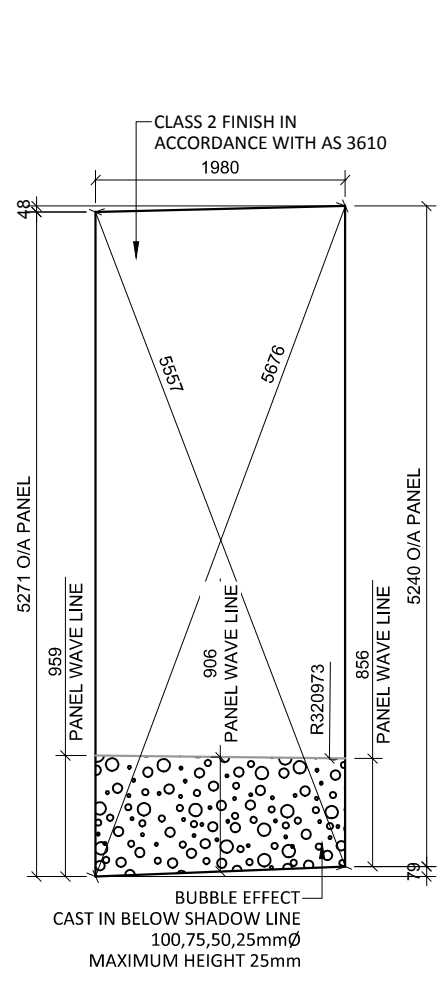
SECTION B-B
SCALE :- 1:25



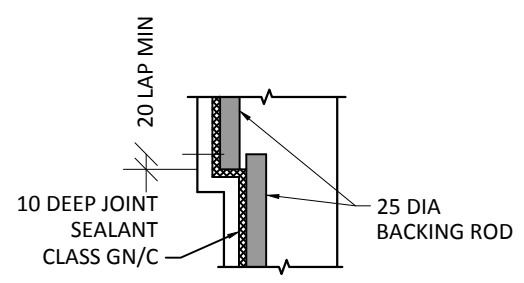
SECTION A-A
SCALE :- 1:25



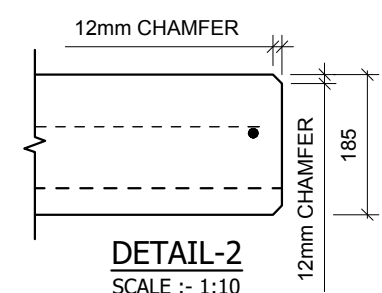
SECTION C-C
SCALE :- 1:25



VIEWED AS CAST
SCALE :- 1:25



DETAIL-1
SCALE :- 1:10



DETAIL-2
SCALE :- 1:10

NOTES.

- CONCRETE**
1. CONCRETE SHALL HAVE A MIN. 28 DAY COMPRESSIVE STRENGTH OF 40MPa.
 2. PLACING AND CURING OF CONCRETE SHALL COMPLY WITH RMS D+C SPECIFICATION B80.
 3. ALL CORNERS SHALL HAVE 12mmx12mm FILLETS OR CHAMFERS - U.N.O. ON DRAWINGS.
 4. CONCRETE EXPOSURE CLASSIFICATION: B1 TO RMS D+C SPECIFICATION B80 UNO.
 5. CONCRETE MIX SHALL BE IN ACCORDANCE WITH RMS D+C SPECIFICATION B80.
 6. LIFTERS HDG & ALL FIXING ARE SS.

REINFORCING

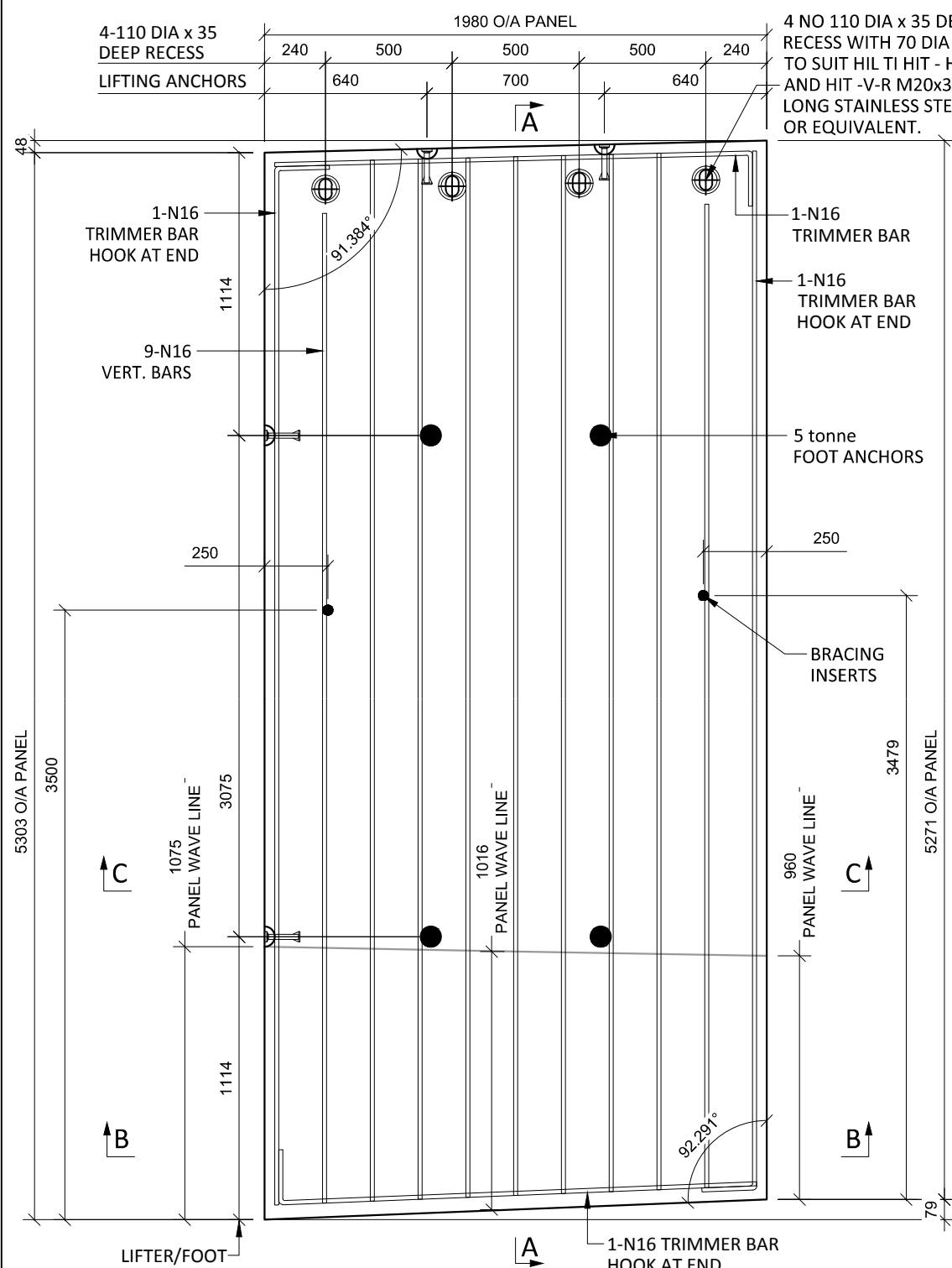
7. COVER: 40mm U.O.N
8. ALL REINFORCEMENT SHALL COMPLY WITH AS4671 GRADE D500N (TYPICAL).
9. SPACING: TO BE TAKEN AS EVEN UNLESS NOTED OTHERWISE.
10. BENDING: BAR BENDING & HOOK DETAILS SHALL BE IN ACCORDANCE WITH AS5100.5.
11. WHERE REBATES OR RECESSES ARE REQUIRED, MIN. CLEAR COVER TO THE REINFORCEMENT SHALL BE MAINTAINED.
12. N16 TRIMMER BARS TO BE PROVIDED ALL AROUND.
13. REINFORCEMENT MAY BE SHOWN DIAGRAMMATICALLY AND MAY NOT NECESSARILY BE IN TRUE PROJECTION.
14. THE MINIMUM LAPPED SPLICE FOR MESH SHALL BE MADE SO THAT THE OUTERMOST CROSS BARS OF ONE SHEET OVERLAP THE TWO OUTERMOST BARS CROSS BARS OF THE SHEET BEING LAPPED AS SHOWN BELOW.
15. UNLESS OTHERWISE SPECIFIED, THE MINIMUM DEVELOPMENT LENGTHS AND LENGTHS OF LAPS SHALL BE AS FOLLOWS:

BAR SIZE:	N12	N16	N20	N24
a) HORIZONTAL BARS WITH >300mm OF CONCRETE CAST BELOW THE BAR	500	700	1000	1300
b) OTHER BARS	350	550	750	1000

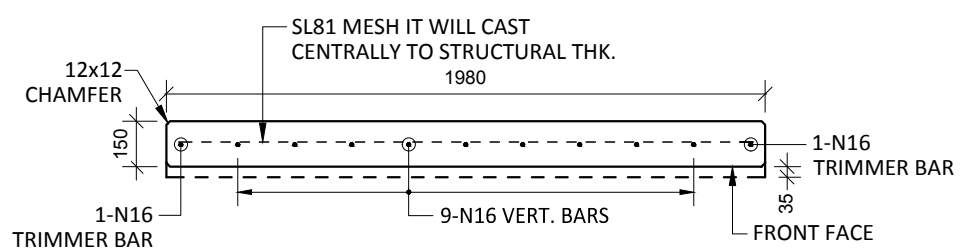
INSPECTION <input type="checkbox"/> TEST PLAN		
INSPECTED BY		
NAME OF FABRICATOR		
UNIT NO.		
CAST DATE		
CAST TIME		
CONCRETE DOCKET NO.		
CONCRETE SPECIF. (MPa)		
ITEM	FABRICATOR INITIAL	APPROVED Y / N
MOULD CLEANLINESS		
RELEASE OIL		
DIMENSIONS		
FORMWORK FIXED		
OPENING / REBATES CORRECT <input type="checkbox"/> POSITION		
HOLD POINT		
REINFORCING CORRECT		
LAPS <input type="checkbox"/> SPLICES CORRECT		
SPACING <input type="checkbox"/> COVER CORRECT		
HOLD POINT		
LIFTERS POSITIONED CORRECTLY		
CAST - IN ITEMS		
STARTERS/CLACING BARS		
APPROVED FOR CASTING		
POST POUR INSPECTION		
INSPECTED BY		
DATE		
ITEM	APPROVED Y / N	
SWIFTLIFTS POSITION		
SWIFTLIFTS RECESS CLEANED		
CAST-IN ITEMS CLEANED		
CONCRETE FINISH		
LABELLED (NUMBER / DATED)		
DAMAGE (CRACKS / CHIPPING)		
CLEANLINESS		
ANY ACTION REQUIRED: URBAN DESIGN PANEL FINISH/ BUBBLE EFFECT FINISH		
APPROVED FOR DISPATCH		
SLING ANGLE TO BE NOT LESS THAN 60° TO HORIZONTAL WHEN LIFTING		
40c <input type="checkbox"/> TO ALL EDGES <input type="checkbox"/> FACES (UNO)		
Area (m ²)	10.41	
Vol (m ³)	1.86	
Wt. (t)	4.66	
MPa	40MPa	
FINISH	FRONT FACE URBAN DESIGN PANEL FINISH/ BUBBLE EFFECT FINISH	
NO: OFF	1	

REV.	DATE	DESCRIPTION	DRAWN	APPROVED
0	20/12/18	ISSUED FOR CONSTRUCTION	JM	

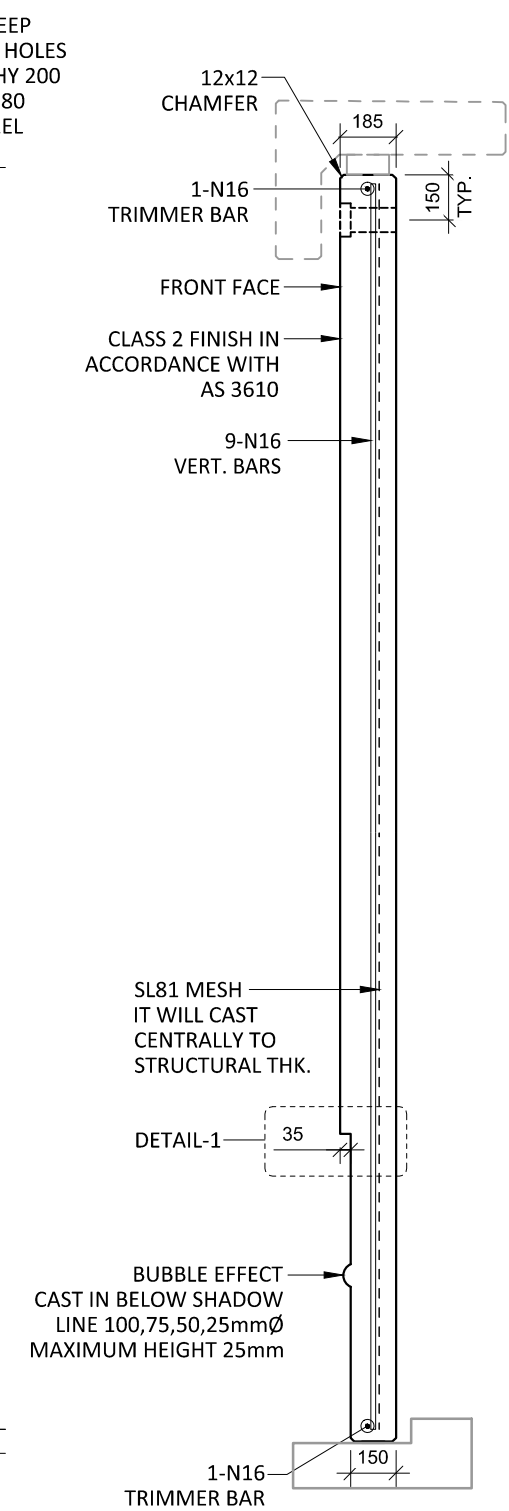
Contractor	Job	Project	Title	COPYRIGHT RESERVED	Drawn	JM	Date	20/12/18	Lot No.	163A
Designer	NORTHERN BEACHES COUNCIL NORTHERN BEACHES HOSPITAL CONNECTIVITY AND NETWORK ENHANCEMENT	BRIDGE OVER WARRINGAH ROAD AT HILMER STREET PRECAST FASCIA PANEL A19	Checked		HP	Scale (A3)	1:10 1:25 1:60	P-HS-A19	0	REV.



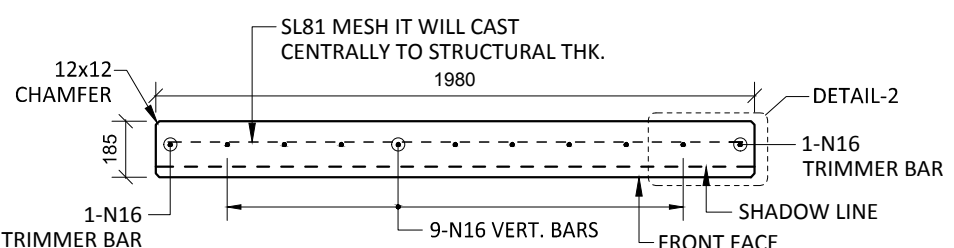
A20 PLAN AS CAST - 150/185 THK
SCALE :- 1:25



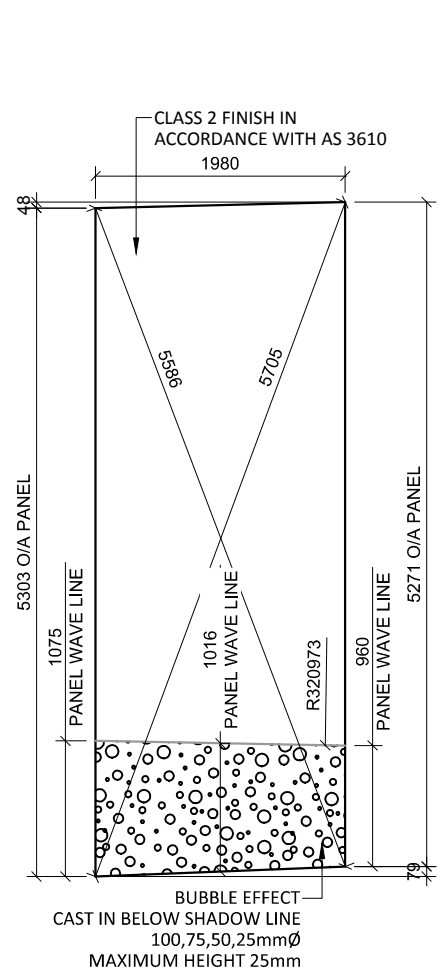
SECTION B-B
SCALE :- 1:25



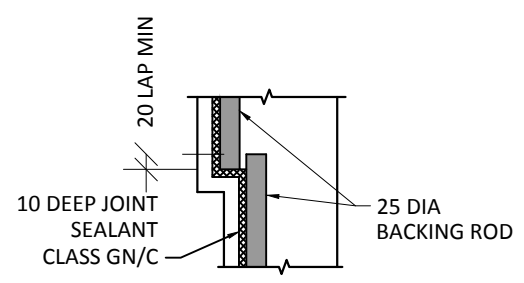
SECTION A-A
SCALE :- 1:25



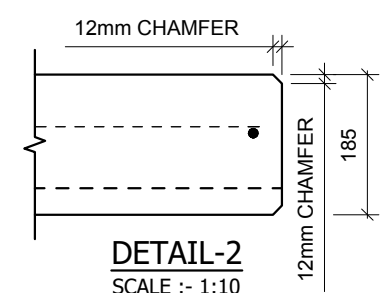
SECTION C-C
SCALE :- 1:25



VIEWED AS CAST
SCALE :- 1:25



DETAIL-1
SCALE :- 1:10



DETAIL-2
SCALE :- 1:10

NOTES.

- CONCRETE**
- CONCRETE SHALL HAVE A MIN. 28 DAY COMPRESSIVE STRENGTH OF 40MPa.
 - PLACING AND CURING OF CONCRETE SHALL COMPLY WITH RMS D+C SPECIFICATION B80.
 - ALL CORNERS SHALL HAVE 12mmx12mm FILLETS OR CHAMFERS - U.N.O. ON DRAWINGS.
 - CONCRETE EXPOSURE CLASSIFICATION: B1 TO RMS D+C SPECIFICATION B80 UNO.
 - CONCRETE MIX SHALL BE IN ACCORDANCE WITH RMS D+C SPECIFICATION B80.
 - LIFTERS HDG & ALL FIXING ARE SS.

REINFORCING

- COVER: 40mm U.O.N
- ALL REINFORCEMENT SHALL COMPLY WITH AS4671 GRADE D500N (TYPICAL).
- SPACING: TO BE TAKEN AS EVEN UNLESS NOTED OTHERWISE.
- BENDING: BAR BENDING & HOOK DETAILS SHALL BE IN ACCORDANCE WITH AS5100.5.
- WHERE REBATES OR RECESSES ARE REQUIRED, MIN. CLEAR COVER TO THE REINFORCEMENT SHALL BE MAINTAINED.
- N16 TRIMMER BARS TO BE PROVIDED ALL AROUND.
- REINFORCEMENT MAY BE SHOWN DIAGMATICALLY AND MAY NOT NECESSARILY BE IN TRUE PROJECTION.
- THE MINIMUM LAPPED SPLICE FOR MESH SHALL BE MADE SO THAT THE OUTERMOST CROSS BARS OF ONE SHEET OVERLAP THE TWO OUTERMOST BARS CROSS BARS OF THE SHEET BEING LAPPED AS SHOWN BELOW.
- UNLESS OTHERWISE SPECIFIED, THE MINIMUM DEVELOPMENT LENGTHS AND LENGTHS OF LAPS SHALL BE AS FOLLOWS:

BAR SIZE:	N12	N16	N20	N24
a) HORIZONTAL BARS WITH >300mm OF CONCRETE CAST BELOW THE BAR	500	700	1000	1300
b) OTHER BARS	350	550	750	1000

INSPECTION <input type="checkbox"/> TEST PLAN	
INSPECTED BY	
NAME OF FABRICATOR	
UNIT NO.	
CAST DATE	
CAST TIME	
CONCRETE DOCKET NO.	
CONCRETE SPECIF. (MPa)	

ITEM	FABRICATOR INITIAL	APPROVED Y / N
MOULD CLEANLINESS		
RELEASE OIL		
DIMENSIONS		
FORMWORK FIXED		
OPENING / REBATES CORRECT <input type="checkbox"/> POSITION		
HOLD POINT		
REINFORCING CORRECT		
LAPS <input type="checkbox"/> SPLICES CORRECT		
SPACING <input type="checkbox"/> COVER CORRECT		
HOLD POINT		
LIFTERS POSITIONED CORRECTLY		
CAST - IN ITEMS		
STARTERS/CLACING BARS		
APPROVED FOR CASTING		

POST POUR INSPECTION	
INSPECTED BY	
DATE	

ITEM	APPROVED Y / N
SWIFTLIFTS POSITION	
SWIFTLIFTS RECESS CLEANED	
CAST-IN ITEMS CLEANED	
CONCRETE FINISH	
LABELLED (NUMBER / DATED)	
DAMAGE (CRACKS / CHIPPING)	
CLEANLINESS	

ANY ACTION REQUIRED:
URBAN DESIGN PANEL FINISH/
BUBBLE EFFECT FINISH

APPROVED FOR DISPATCH

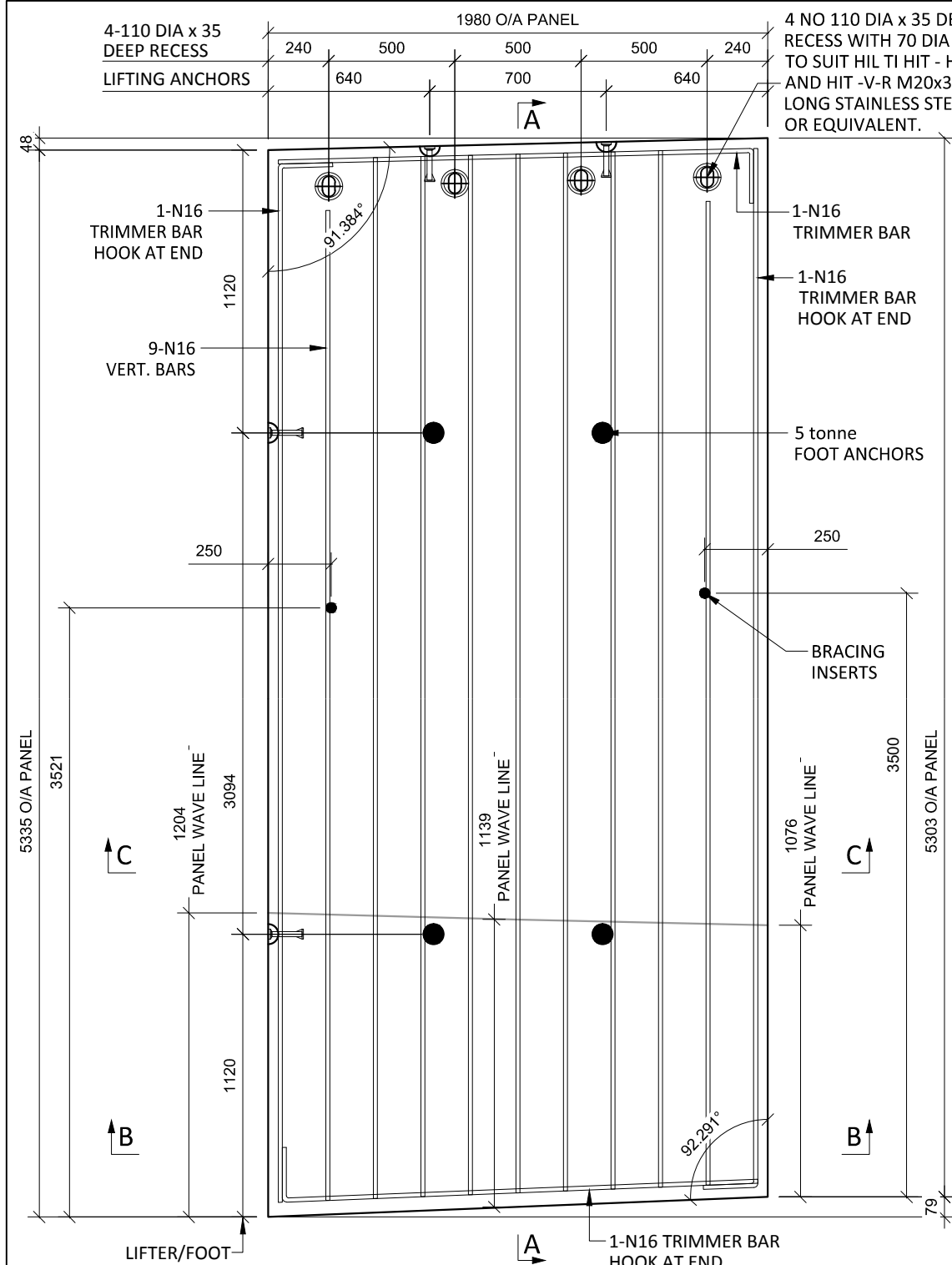
SLING ANGLE TO BE NOT LESS THAN 60° TO HORIZONTAL WHEN LIFTING

40c TO ALL EDGES FACES (UNO)

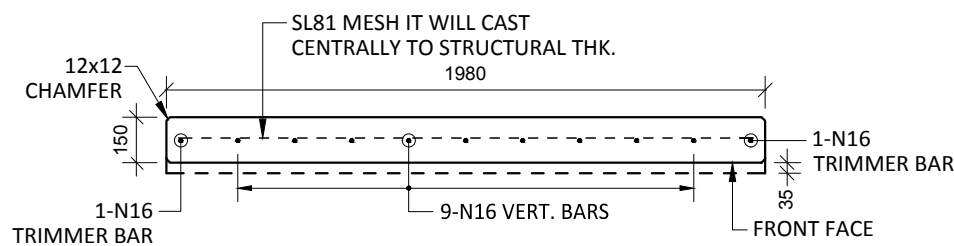
Area (m ²)	10.47
Vol (m ³)	1.87
Wt. (t)	4.67
MPa	40MPa
FINISH	FRONT FACE URBAN DESIGN PANEL FINISH/ BUBBLE EFFECT FINISH
NO: OFF	1

REV.	DATE	DESCRIPTION	DRAWN	APPROVED
0	20/12/18	ISSUED FOR CONSTRUCTION	JM	

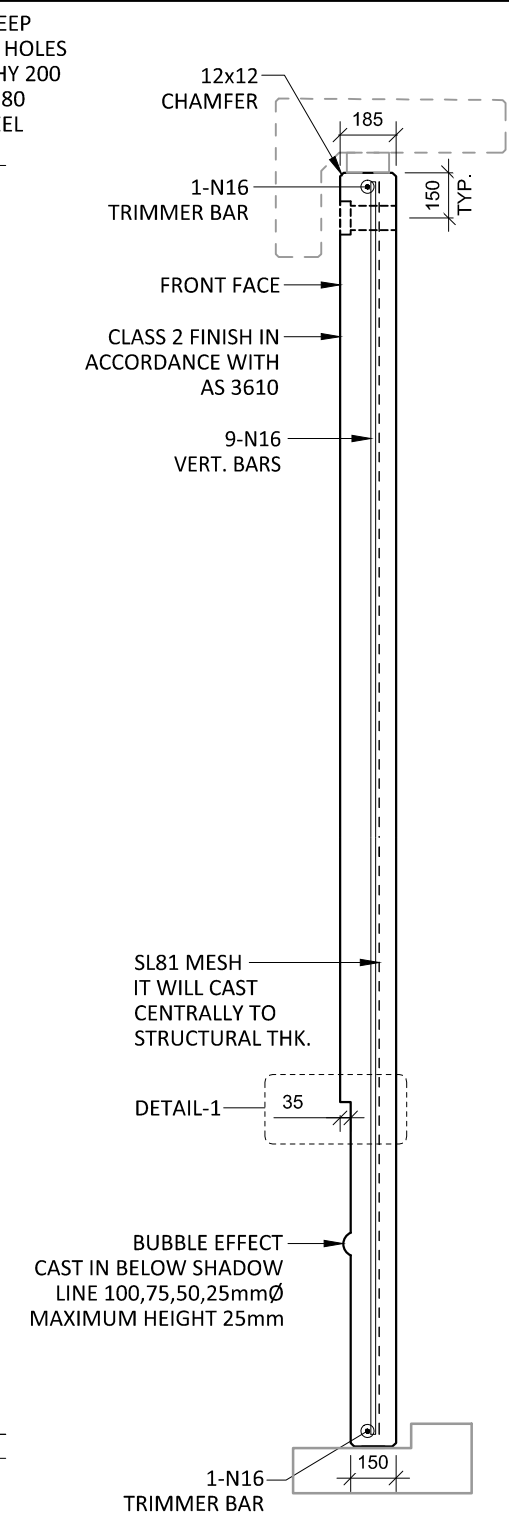
Contractor	Job	Project	Title	COPYRIGHT RESERVED	Drawn	JM	Date	20/12/18	Lot No.	163A
Designer	NORTHERN BEACHES COUNCIL NORTHERN BEACHES HOSPITAL CONNECTIVITY AND NETWORK ENHANCEMENT	BRIDGE OVER WARRINGAH ROAD AT HILMER STREET PRECAST FASCIA PANEL A20	Checked		HP	Scale (A3)	1:10 1:25 1:60	P-HS-A20	0	REV.



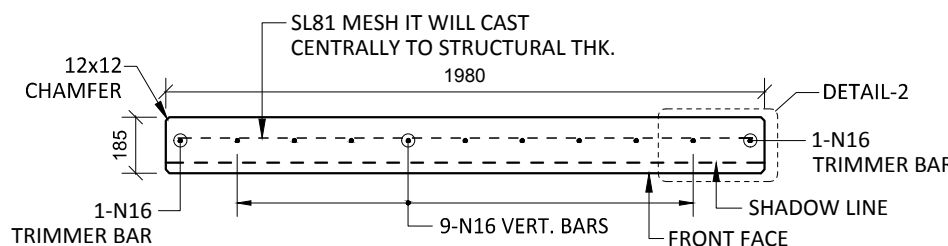
A21 PLAN AS CAST - 150/185 THK
SCALE :- 1:25



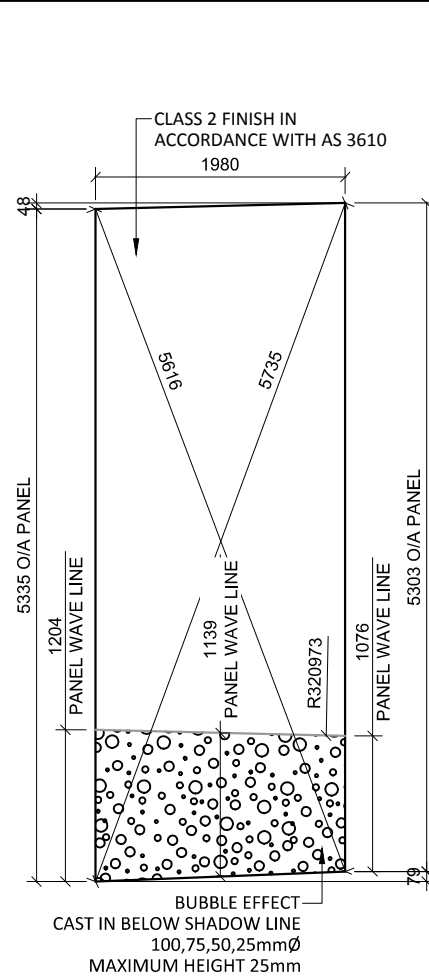
SECTION B-B
SCALE :- 1:25



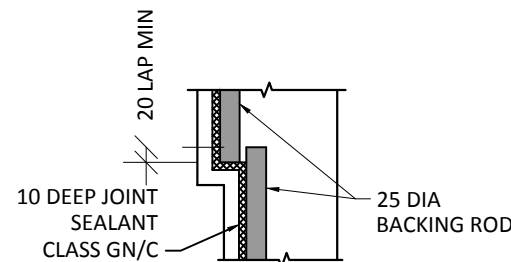
SECTION A-A
SCALE :- 1:25



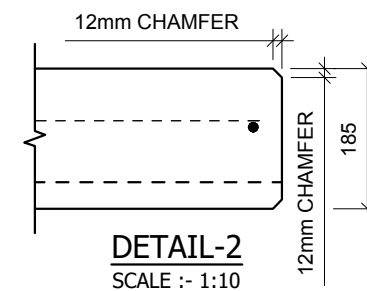
SECTION C-C
SCALE :- 1:25



VIEWED AS CAST
SCALE :- 1:25



DETAIL-1
SCALE :- 1:10



DETAIL-2
SCALE :- 1:10

- NOTES.**
- CONCRETE**
1. CONCRETE SHALL HAVE A MIN. 28 DAY COMPRESSIVE STRENGTH OF 40MPa.
 2. PLACING AND CURING OF CONCRETE SHALL COMPLY WITH RMS D+C SPECIFICATION B80.
 3. ALL CORNERS SHALL HAVE 12mmx12mm FILLETS OR CHAMFERS - U.N.O. ON DRAWINGS.
 4. CONCRETE EXPOSURE CLASSIFICATION: B1 TO RMS D+C SPECIFICATION B80 UNO.
 5. CONCRETE MIX SHALL BE IN ACCORDANCE WITH RMS D+C SPECIFICATION B80.
 6. LIFTERS HDG & ALL FIXING ARE SS.

- REINFORCING**
7. COVER: 40mm U.O.N
 8. ALL REINFORCEMENT SHALL COMPLY WITH AS4671 GRADE D500N (TYPICAL).
 9. SPACING: TO BE TAKEN AS EVEN UNLESS NOTED OTHERWISE.
 10. BENDING: BAR BENDING & HOOK DETAILS SHALL BE IN ACCORDANCE WITH AS5100.5.
 11. WHERE REBATES OR RECESSES ARE REQUIRED, MIN. CLEAR COVER TO THE REINFORCEMENT SHALL BE MAINTAINED.
 12. N16 TRIMMER BARS TO BE PROVIDED ALL AROUND.
 13. REINFORCEMENT MAY BE SHOWN DIAGRAMMATICALLY AND MAY NOT NECESSARILY BE IN TRUE PROJECTION.
 14. THE MINIMUM LAPPED SPLICE FOR MESH SHALL BE MADE SO THAT THE OUTERMOST CROSS BARS OF ONE SHEET OVERLAP THE TWO OUTERMOST BARS CROSS BARS OF THE SHEET BEING LAPPED AS SHOWN BELOW.
 15. UNLESS OTHERWISE SPECIFIED, THE MINIMUM DEVELOPMENT LENGTHS AND LENGTHS OF LAPS SHALL BE AS FOLLOWS:

BAR SIZE:	N12	N16	N20	N24
a) HORIZONTAL BARS WITH >300mm OF CONCRETE CAST BELOW THE BAR	500	700	1000	1300
b) OTHER BARS	350	550	750	1000

INSPECTION <input type="checkbox"/> TEST PLAN	
INSPECTED BY	
NAME OF FABRICATOR	
UNIT NO.	
CAST DATE	
CAST TIME	
CONCRETE DOCKET NO.	
CONCRETE SPECIF. (MPa)	

ITEM	FABRICATOR INITIAL	APPROVED Y / N
MOULD CLEANLINESS		
RELEASE OIL		
DIMENSIONS		
FORMWORK FIXED		
OPENING / REBATES CORRECT <input type="checkbox"/> POSITION		
HOLD POINT		
REINFORCING CORRECT		
LAPS <input type="checkbox"/> SPLICES CORRECT		
SPACING <input type="checkbox"/> COVER CORRECT		
HOLD POINT		
LIFTERS POSITIONED CORRECTLY		
CAST - IN ITEMS		
STARTERS/CLACING BARS		
APPROVED FOR CASTING		

POST POUR INSPECTION	
INSPECTED BY	
DATE	

ITEM	APPROVED Y / N
SWIFTLIFTS POSITION	
SWIFTLIFTS RECESS CLEANED	
CAST-IN ITEMS CLEANED	
CONCRETE FINISH	
LABELLED (NUMBER / DATED)	
DAMAGE (CRACKS / CHIPPING)	
CLEANLINESS	

ANY ACTION REQUIRED:
URBAN DESIGN PANEL FINISH/
BUBBLE EFFECT FINISH

APPROVED FOR DISPATCH

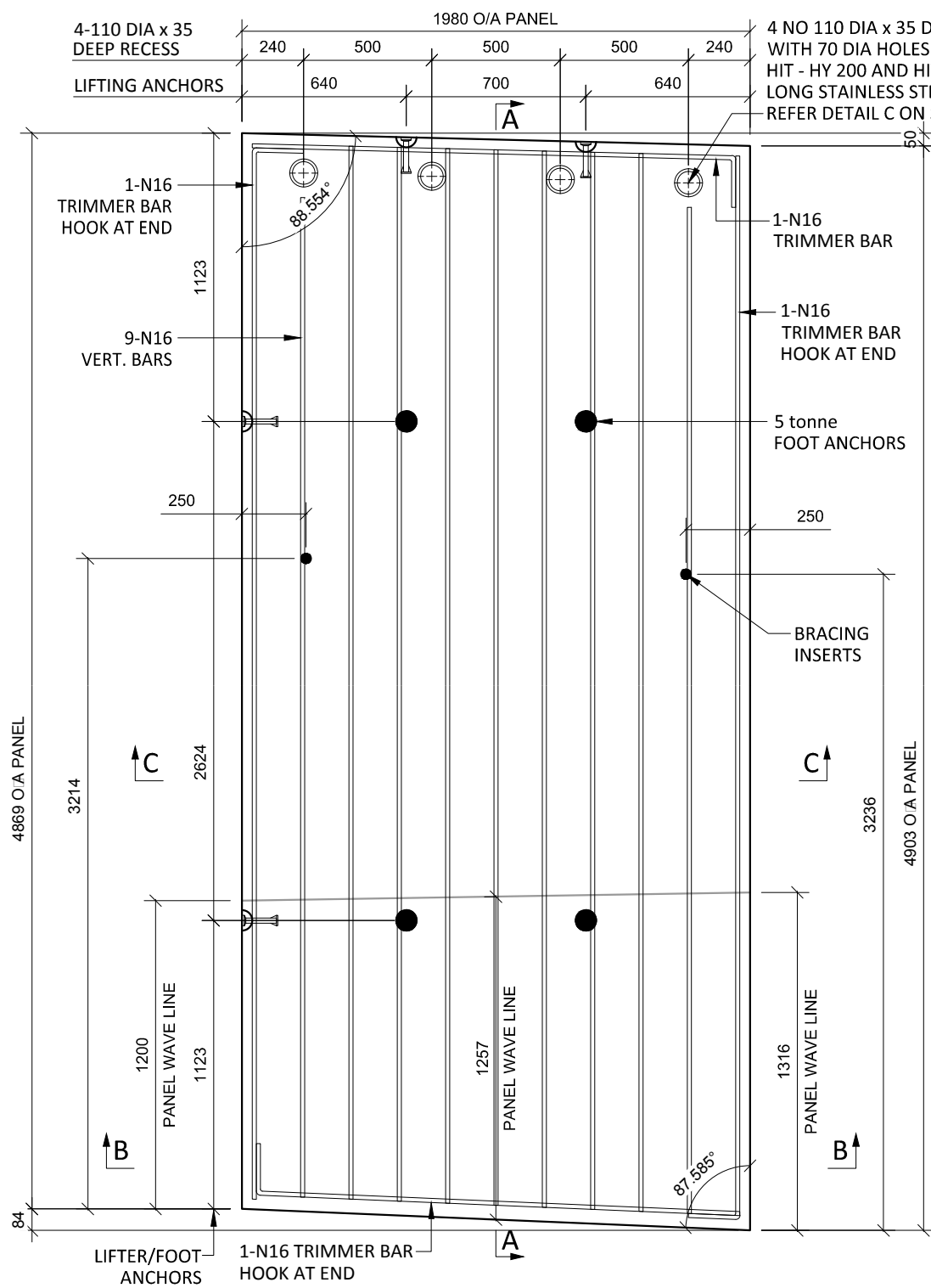
SLING ANGLE TO BE NOT LESS THAN 60° TO HORIZONTAL WHEN LIFTING

40c TO ALL EDGES FACES (UNO)

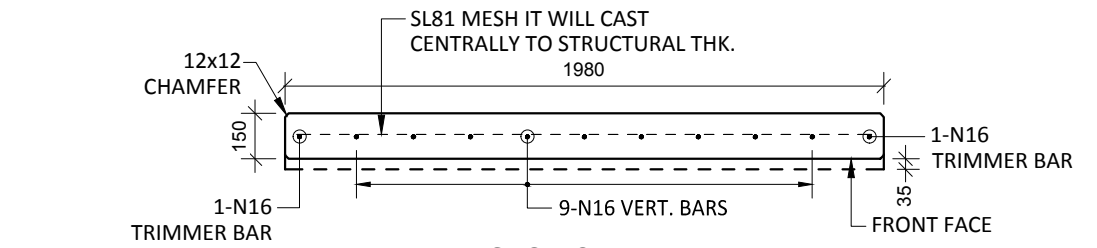
Area (m ²)	10.53
Vol (m ³)	1.87
Wt. (t)	4.67
MPa	40MPa
FINISH	FRONT FACE URBAN DESIGN PANEL FINISH/ BUBBLE EFFECT FINISH
NO: OFF	1

REV.	DATE	DESCRIPTION	DRAWN	APPROVED
0	20/12/18	ISSUED FOR CONSTRUCTION	JM	

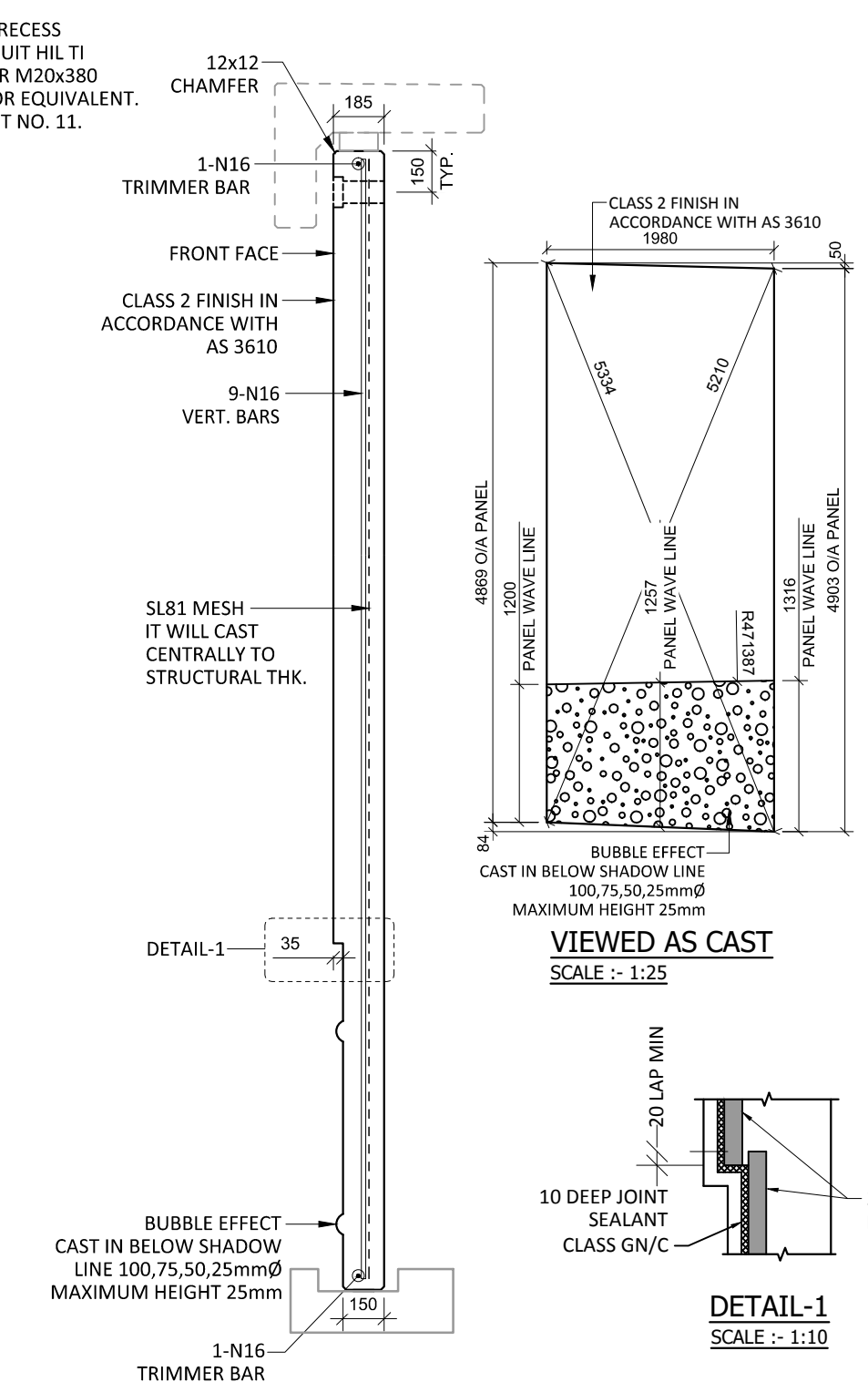
Contractor	Job	Project	Title	COPYRIGHT RESERVED	Drawn	JM	Date	20/12/18	Lot No.	163A
Designer	NORTHERN BEACHES COUNCIL NORTHERN BEACHES HOSPITAL CONNECTIVITY AND NETWORK ENHANCEMENT	BRIDGE OVER WARRINGAH ROAD AT HILMER STREET PRECAST FASCIA PANEL A21	Checked		HP	Scale (A3)	1:10 1:25 1:60	P-HS-A21	0	REV.



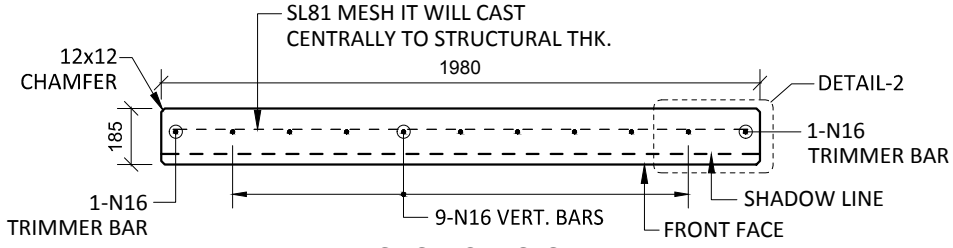
B1 PLAN AS CAST - 150/185 THK
SCALE :- 1:25 SL81 MESH IS NOT SHOWN FOR CLARITY



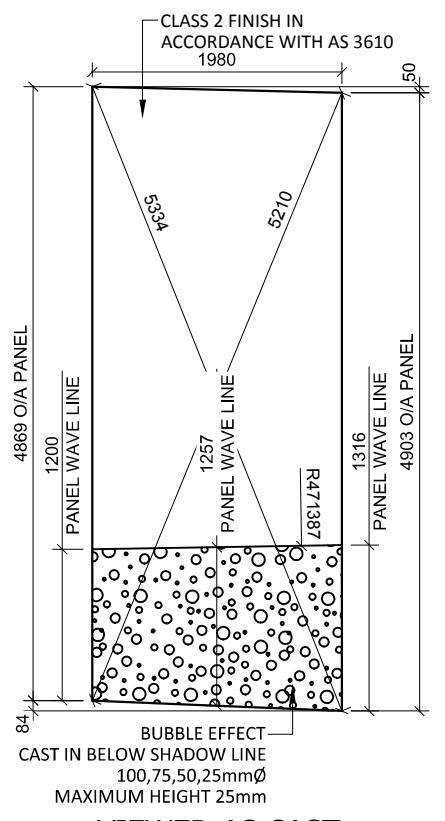
SECTION B-B
SCALE :- 1:25



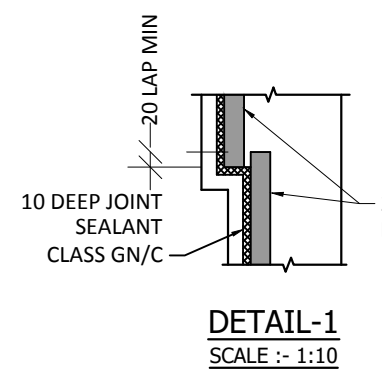
SECTION A-A
SCALE :- 1:25



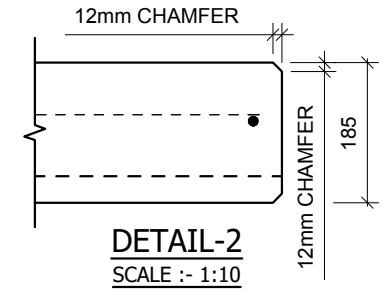
SECTION C-C
SCALE :- 1:25



VIEWED AS CAST
SCALE :- 1:25



DETAIL-1
SCALE :- 1:10



DETAIL-2
SCALE :- 1:10

NOTES.

- CONCRETE**
- CONCRETE SHALL HAVE A MIN. 28 DAY COMPRESSIVE STRENGTH OF 40MPa.
 - PLACING AND CURING OF CONCRETE SHALL COMPLY WITH RMS D+C SPECIFICATION B80.
 - ALL CORNERS SHALL HAVE 12mmx12mm FILLETS OR CHAMFERS - U.N.O. ON DRAWINGS.
 - CONCRETE EXPOSURE CLASSIFICATION: B1 TO RMS D+C SPECIFICATION B80 UNO.
 - CONCRETE MIX SHALL BE IN ACCORDANCE WITH RMS D+C SPECIFICATION B80.
 - LIFTERS HDG & ALL FIXING ARE SS.

REINFORCING

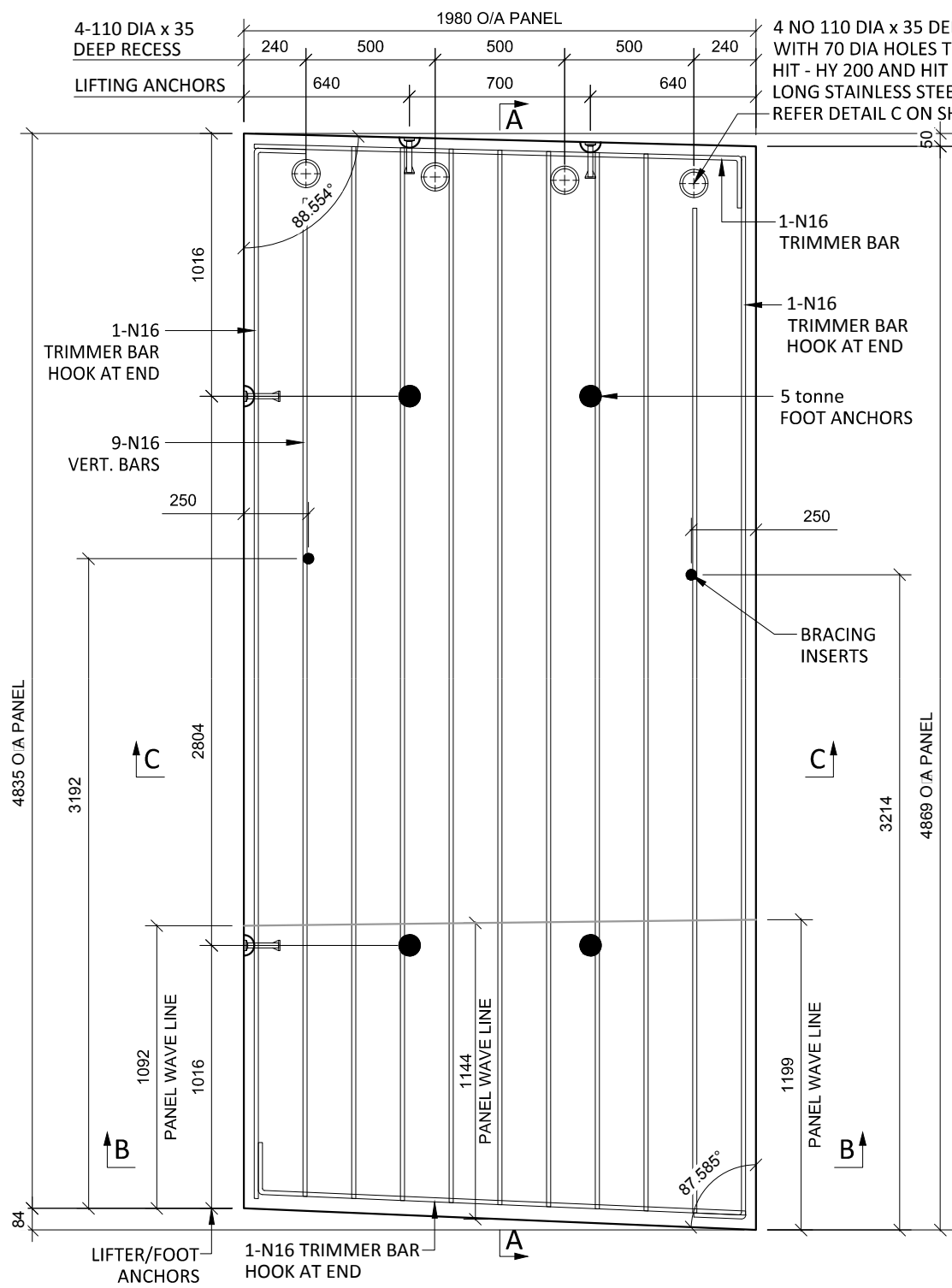
- COVER: 40mm U.O.N
- ALL REINFORCEMENT SHALL COMPLY WITH AS4671 GRADE D500N (TYPICAL).
- SPACING: TO BE TAKEN AS EVEN UNLESS NOTED OTHERWISE.
- BENDING: BAR BENDING & HOOK DETAILS SHALL BE IN ACCORDANCE WITH AS5100.5.
- WHERE REBATES OR RECESSES ARE REQUIRED, MIN. CLEAR COVER TO THE REINFORCEMENT SHALL BE MAINTAINED.
- N16 TRIMMER BARS TO BE PROVIDED ALL AROUND.
- REINFORCEMENT MAY BE SHOWN DIAGRAMMATICALLY AND MAY NOT NECESSARILY BE IN TRUE PROJECTION. THE MINIMUM LAPPED SPLICE FOR MESH SHALL BE MADE SO THAT THE OUTERMOST CROSS BARS OF ONE SHEET OVERLAP THE TWO OUTERMOST BARS CROSS BARS OF THE SHEET BEING LAPPED AS SHOWN BELOW.
- UNLESS OTHERWISE SPECIFIED, THE MINIMUM DEVELOPMENT LENGTHS AND LENGTHS OF LAPS SHALL BE AS FOLLOWS:

BAR SIZE:	N12	N16	N20	N24
a) HORIZONTAL BARS WITH >300mm OF CONCRETE CAST BELOW THE BAR	500	700	1000	1300
b) OTHER BARS	350	550	750	1000

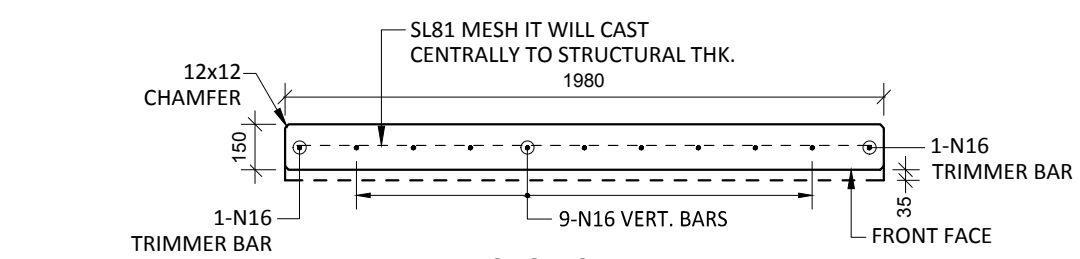
INSPECTION <input type="checkbox"/> TEST PLAN		
INSPECTED BY		
NAME OF FABRICATOR		
UNIT NO.		
CAST DATE		
CAST TIME		
CONCRETE DOCKET NO.		
CONCRETE SPECIF. (MPa)		
ITEM	FABRICATOR	APPROVED
MOULD CLEANLINESS		Y / N
RELEASE OIL		
DIMENSIONS		
FORMWORK FIXED		
OPENING / REBATES CORRECT <input type="checkbox"/> POSITION		
HOLD POINT		
REINFORCING CORRECT		
LAPS <input type="checkbox"/> SPLICES CORRECT		
SPACING <input type="checkbox"/> COVER CORRECT		
HOLD POINT		
LIFTERS POSITIONED CORRECTLY		
CAST - IN ITEMS		
STARTERS/CLACING BARS		
APPROVED FOR CASTING		
POST POUR INSPECTION		
INSPECTED BY		
DATE		
ITEM	APPROVED	Y / N
SWIFTLIFTS POSITION		
SWIFTLIFTS RECESS CLEANED		
CAST-IN ITEMS CLEANED		
CONCRETE FINISH		
LABELLED (NUMBER / DATED)		
DAMAGE (CRACKS / CHIPPING)		
CLEANLINESS		
ANY ACTION REQUIRED: URBAN DESIGN PANEL FINISH/ BUBBLE EFFECT FINISH		
APPROVED FOR DISPATCH		
SLING ANGLE TO BE NOT LESS THAN 60° TO HORIZONTAL WHEN LIFTING		
40c <input type="checkbox"/> TO ALL EDGES <input type="checkbox"/> FACES (UNO)		
Area (m ²)	9.67	
Vol (m ³)	1.70	
Wt. (t)	4.26	
MPa	40MPa	
FINISH	FRONT FACE URBAN DESIGN PANEL FINISH/ BUBBLE EFFECT FINISH	
NO: OFF	1	

REV.	DATE	DESCRIPTION	DRAWN	APPROVED
0	20/12/18	ISSUED FOR CONSTRUCTION	AS	

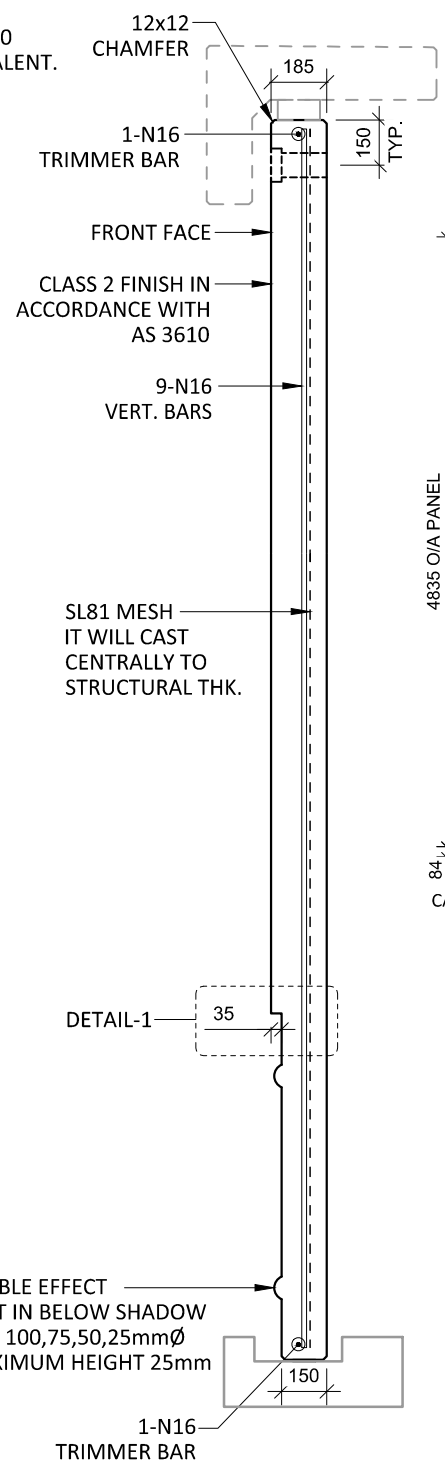
Contractor	Job	Project	Title	COPYRIGHT RESERVED	Drawn	AS	Date	20/12/18	Lot No.	163A
Designer	NORTHERN BEACHES COUNCIL NORTHERN BEACHES HOSPITAL CONNECTIVITY AND NETWORK ENHANCEMENT		BRIDGE OVER WARRINGAH ROAD AT HILMER STREET PRECAST FASCIA PANEL B1		Checked	HP	Scale (A3)	1:10 1:25 1:60	P-HS-B1	0



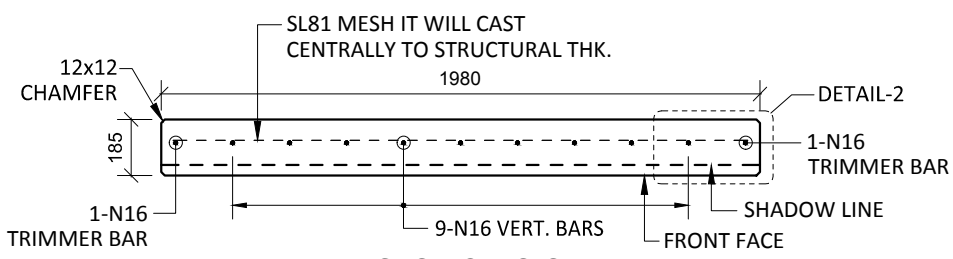
B2 PLAN AS CAST - 150/185 THK
SCALE :- 1:25 SL81 MESH IS NOT SHOWN FOR CLARITY



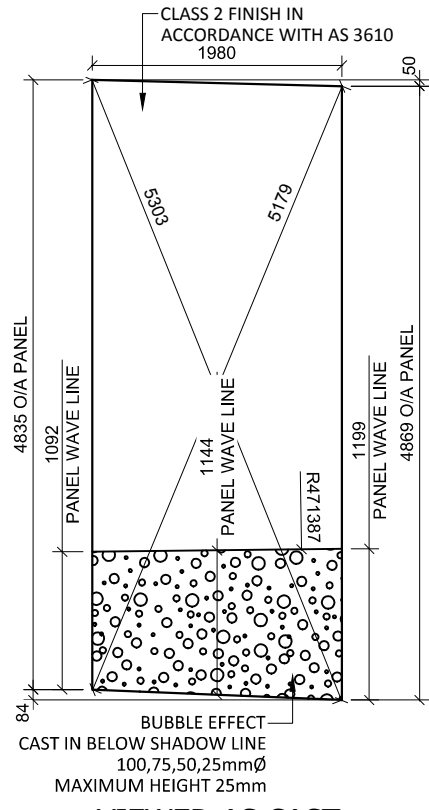
SECTION B-B
SCALE :- 1:25



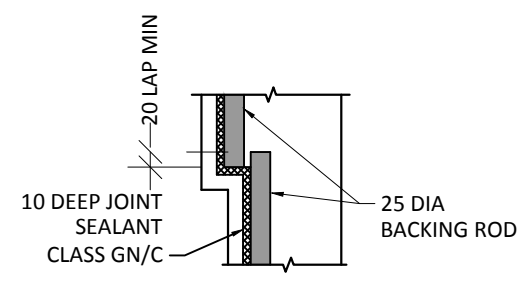
SECTION A-A
SCALE :- 1:25



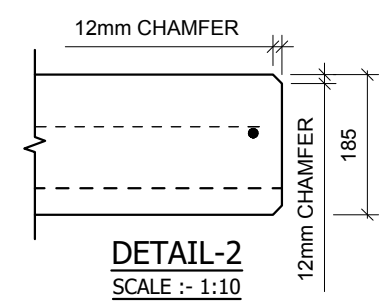
SECTION C-C
SCALE :- 1:25



VIEWED AS CAST
SCALE :- 1:25



DETAIL-1
SCALE :- 1:10



DETAIL-2
SCALE :- 1:10

NOTES.

- CONCRETE**
- CONCRETE SHALL HAVE A MIN. 28 DAY COMPRESSIVE STRENGTH OF 40MPa.
 - PLACING AND CURING OF CONCRETE SHALL COMPLY WITH RMS D+C SPECIFICATION B80.
 - ALL CORNERS SHALL HAVE 12mmx12mm FILLETS OR CHAMFERS - U.N.O. ON DRAWINGS.
 - CONCRETE EXPOSURE CLASSIFICATION: B1 TO RMS D+C SPECIFICATION B80 UNO.
 - CONCRETE MIX SHALL BE IN ACCORDANCE WITH RMS D+C SPECIFICATION B80.
 - LIFTERS HDG & ALL FIXING ARE SS.

REINFORCING

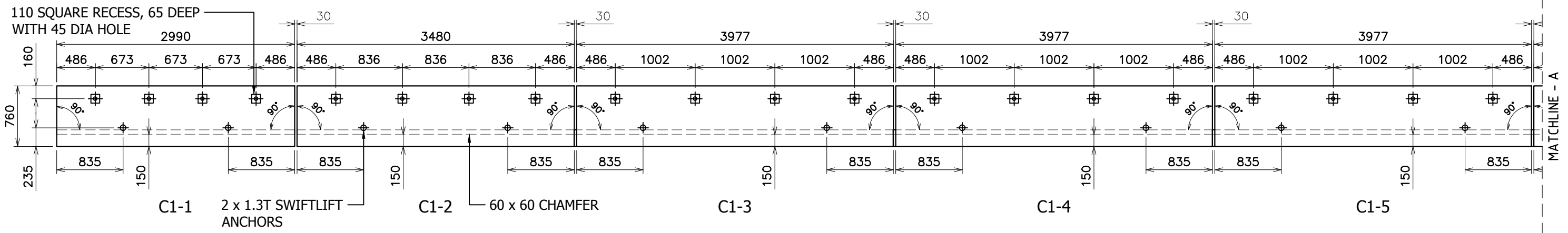
- COVER: 40mm U.O.N
- ALL REINFORCEMENT SHALL COMPLY WITH AS4671 GRADE D500N (TYPICAL).
- SPACING: TO BE TAKEN AS EVEN UNLESS NOTED OTHERWISE.
- BENDING: BAR BENDING & HOOK DETAILS SHALL BE IN ACCORDANCE WITH ASS100.5.
- WHERE REBATES OR RECESSES ARE REQUIRED, MIN. CLEAR COVER TO THE REINFORCEMENT SHALL BE MAINTAINED.
- N16 TRIMMER BARS TO BE PROVIDED ALL AROUND.
- REINFORCEMENT MAY BE SHOWN DIAGRAMMATICALLY AND MAY NOT NECESSARILY BE IN TRUE PROJECTION. THE MINIMUM LAPPED SPLICE FOR MESH SHALL BE MADE SO THAT THE OUTERMOST CROSS BARS OF ONE SHEET OVERLAP THE TWO OUTERMOST BARS CROSS BARS OF THE SHEET BEING LAPPED AS SHOWN BELOW.
- UNLESS OTHERWISE SPECIFIED, THE MINIMUM DEVELOPMENT LENGTHS AND LENGTHS OF LAPS SHALL BE AS FOLLOWS:

BAR SIZE:	N12	N16	N20	N24
a) HORIZONTAL BARS WITH >300mm OF CONCRETE CAST BELOW THE BAR	500	700	1000	1300
b) OTHER BARS	350	550	750	1000

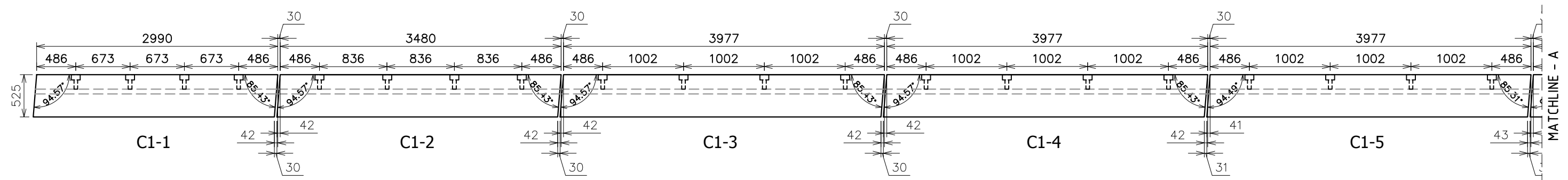
INSPECTION <input type="checkbox"/> TEST PLAN		
INSPECTED BY		
NAME OF FABRICATOR		
UNIT NO.		
CAST DATE		
CAST TIME		
CONCRETE DOCKET NO.		
CONCRETE SPECIF. (MPa)		
ITEM	FABRICATOR INITIAL	APPROVED Y / N
MOULD CLEANLINESS		
RELEASE OIL		
DIMENSIONS		
FORMWORK FIXED		
OPENING / REBATES CORRECT <input type="checkbox"/> POSITION		
HOLD POINT		
REINFORCING CORRECT		
LAPS <input type="checkbox"/> SPLICES CORRECT		
SPACING <input type="checkbox"/> COVER CORRECT		
HOLD POINT		
LIFTERS POSITIONED CORRECTLY		
CAST - IN ITEMS		
STARTERS/CLACING BARS		
APPROVED FOR CASTING		
POST POUR INSPECTION		
INSPECTED BY		
DATE		
ITEM	APPROVED Y / N	
SWIFTLIFTS POSITION		
SWIFTLIFTS RECESS CLEANED		
CAST-IN ITEMS CLEANED		
CONCRETE FINISH		
LABELLED (NUMBER / DATED)		
DAMAGE (CRACKS / CHIPPING)		
CLEANLINESS		
ANY ACTION REQUIRED: URBAN DESIGN PANEL FINISH/ BUBBLE EFFECT FINISH		
APPROVED FOR DISPATCH		
SLING ANGLE TO BE NOT LESS THAN 60° TO HORIZONTAL WHEN LIFTING		
40c <input type="checkbox"/> TO ALL EDGES <input type="checkbox"/> FACES (UNO)		
Area (m ²)	9.61	
Vol (m ³)	1.70	
Wt. (t)	4.25	
MPa	40MPa	
FINISH	FRONT FACE URBAN DESIGN PANEL FINISH/ BUBBLE EFFECT FINISH	
NO: OFF	1	

REV.	DATE	DESCRIPTION	DRAWN	APPROVED
0	20/12/18	ISSUED FOR CONSTRUCTION	AS	

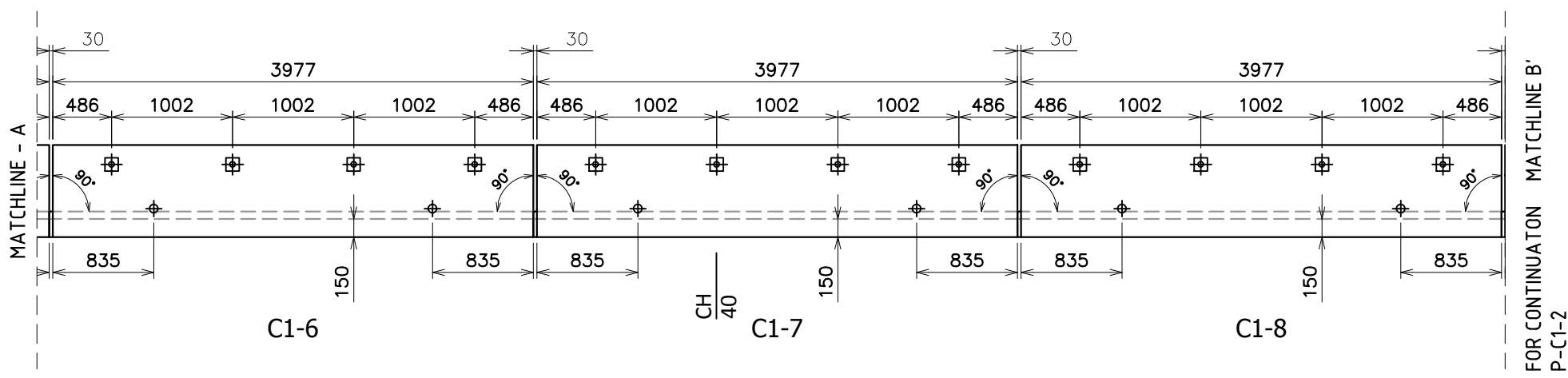
Contractor	Job	Project	Title	COPYRIGHT RESERVED	Drawn	AS	Date	20/12/18	Lot No.	163A
Designer	NORTHERN BEACHES COUNCIL NORTHERN BEACHES HOSPITAL CONNECTIVITY AND NETWORK ENHANCEMENT		BRIDGE OVER WARRINGAH ROAD AT HILMER STREET PRECAST FASCIA PANEL B2		Checked	HP	Scale (A3)	1:10 1:25 1:60	P-HS-B2	0



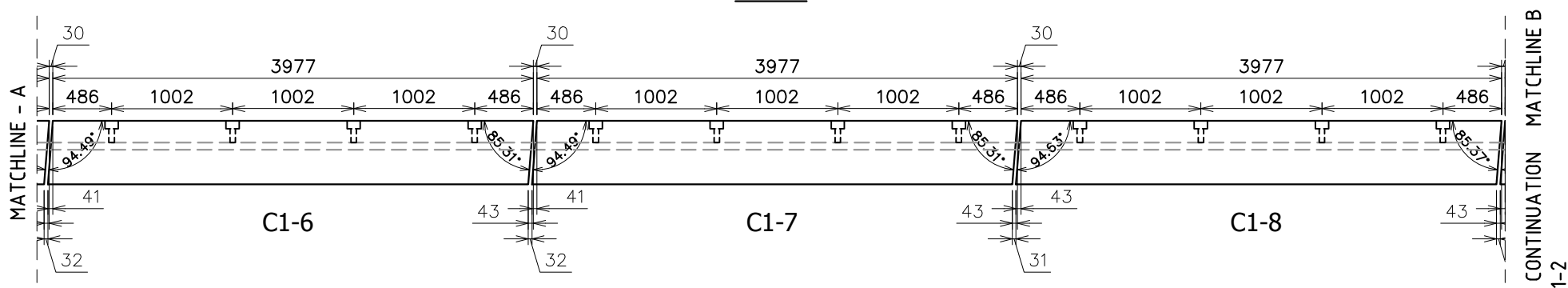
PLAN



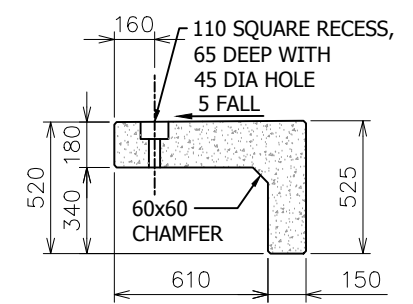
ELEVATION



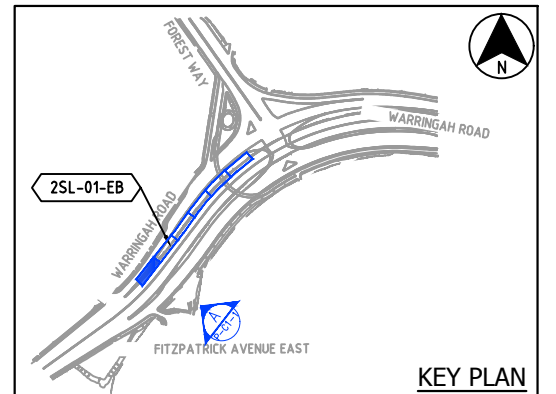
PLAN



ELEVATION



TYPICAL SECTION



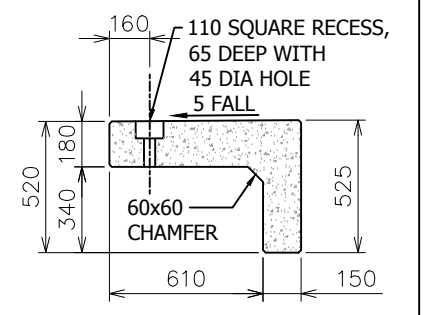
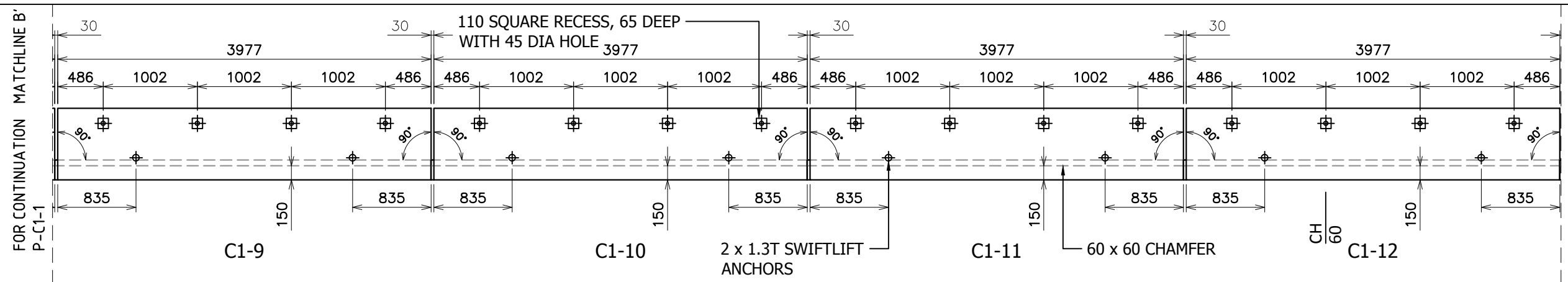
KEY PLAN

- LEGEND:**
- C1-XX = DENOTES PRECAST COPING PANEL NUMBER
 - = DENOTES BUBBLE EFFECT CAST IN SHADOW
LINE 100, 75, 50, 25mmφ MAXIMUM HEIGHT
25mm
 - = DENOTES CHAINAGE

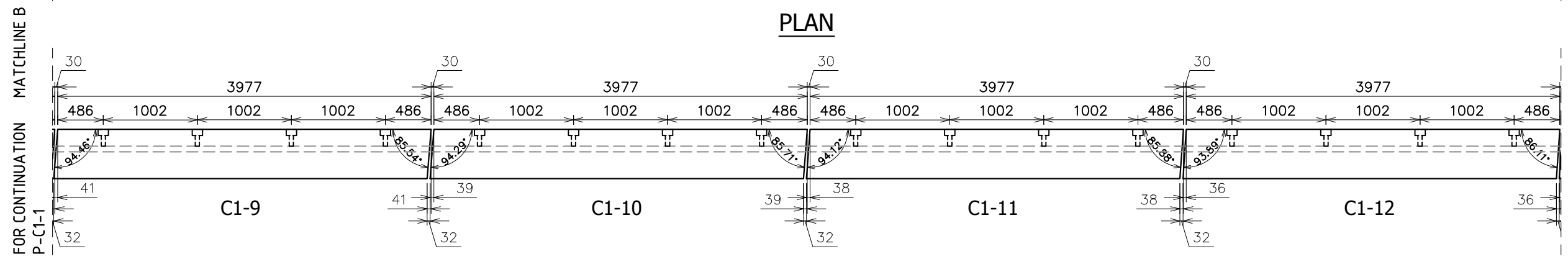
REV.	DATE	DESCRIPTION	DRAWN	APPROVED
1	25/01/19	REVISED PANEL TO SUIT AS PER GRADE %		N.G
0	10/12/18	FOR APPROVAL		JT

A COPING PANEL PLAN & FRONT ELEVATION (2SL-01-EB)
SCALE 1 : 50

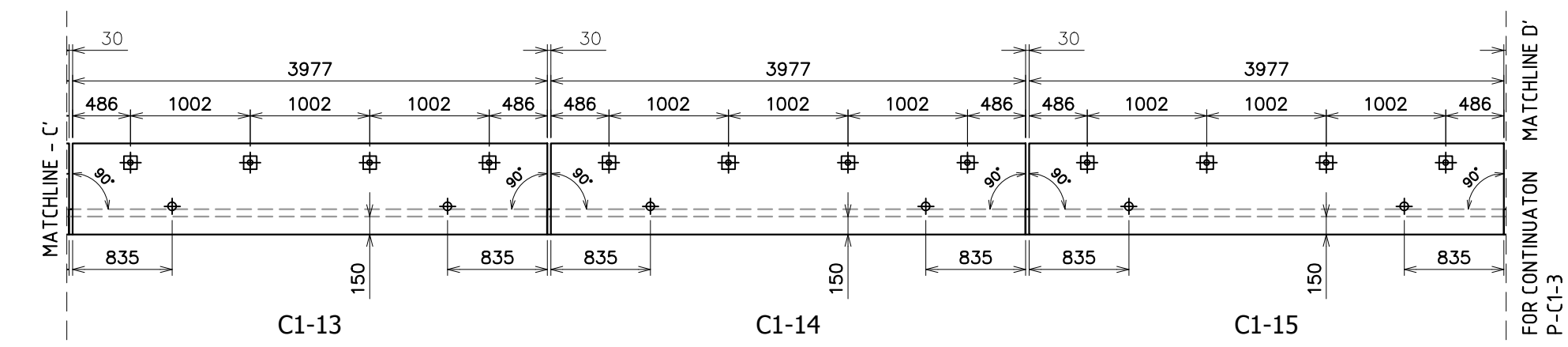
Contractor	NORTHERN BEACHES COUNCIL	Job	NORTHERN BEACHES HOSPITAL CONNECTIVITY AND NETWORK ENHANCEMENT	Project	Title	ZONE 2000 - STAGE 2 2SL-01-EB PRECAST COPING PANEL PLAN & ELEVATION	Copyright Reserved	Drawn	JT	Date	10/12/18	Lot No.	163A
	Designer							HP	Scale (A3)	1:50	P-C1-1		



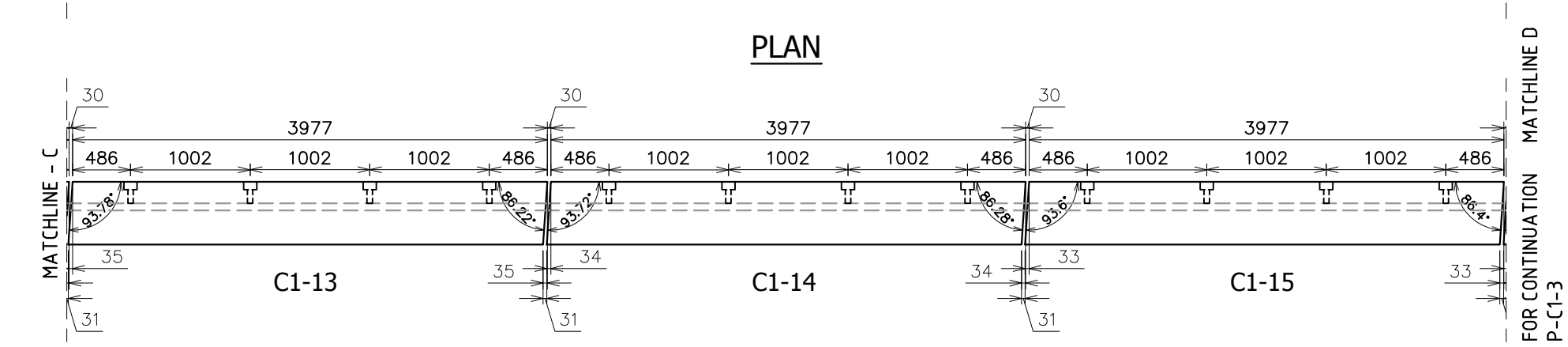
TYPICAL SECTION



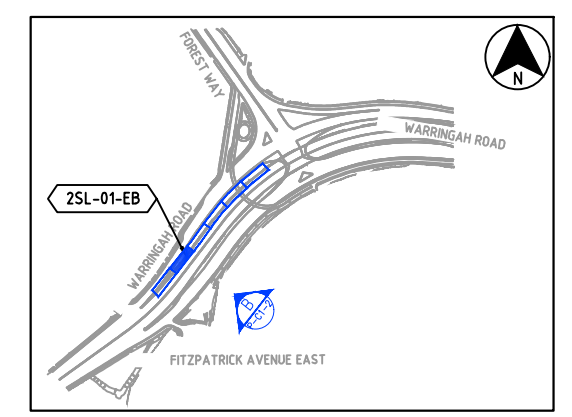
ELEVATION



PLAN



ELEVATION

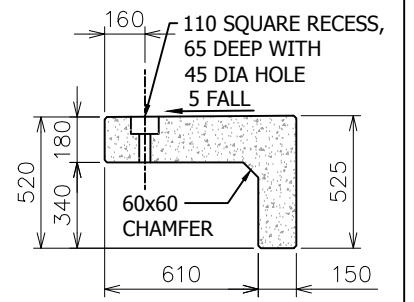
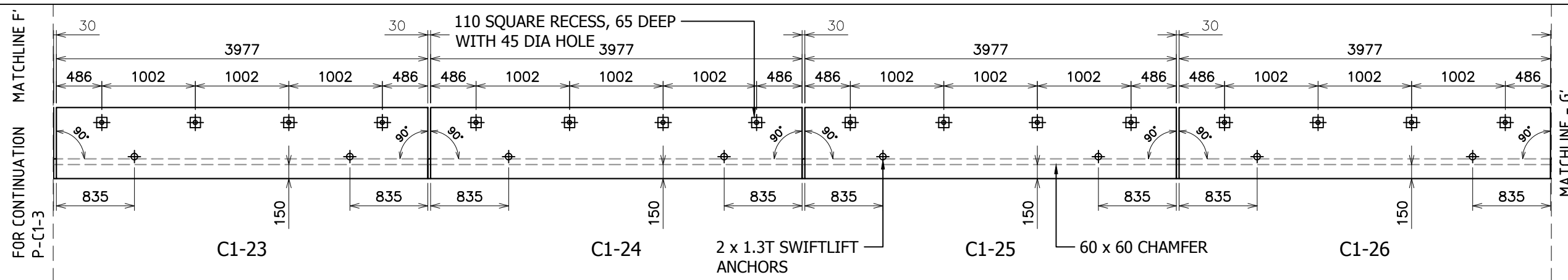


- LEGEND:**
- C1-XX = DENOTES PRECAST COPING PANEL NUMBER
 - = DENOTES BUBBLE EFFECT CAST IN SHADOW
LINE 100, 75, 50, 25mmφ MAXIMUM HEIGHT
25mm
 - = DENOTES CHAINAGE

B COPING PANEL PLAN & FRONT ELEVATION (2SL-01-EB)
SCALE 1 : 50

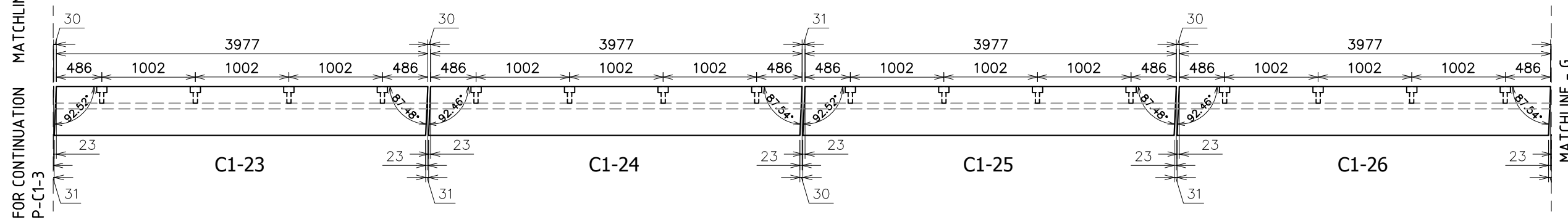
REV.	DATE	DESCRIPTION	DRAWN	APPROVED
1	25/01/19	REVISED PANEL TO SUIT AS PER GRADE %		N.G
0	10/12/18	FOR APPROVAL	JT	

Contractor	Designer	Job	Project	Title	ZONE 2000 - STAGE 2 2SL-01-EB PRECAST COPING PANEL PLAN & ELEVATION	COPYRIGHT RESERVED	Drawn	JT	Date	10/12/18	Lot No. 163A
		NORTHERN BEACHES COUNCIL NORTHERN BEACHES HOSPITAL CONNECTIVITY AND NETWORK ENHANCEMENT					Checked	HP	Scale (A3)	1:50	

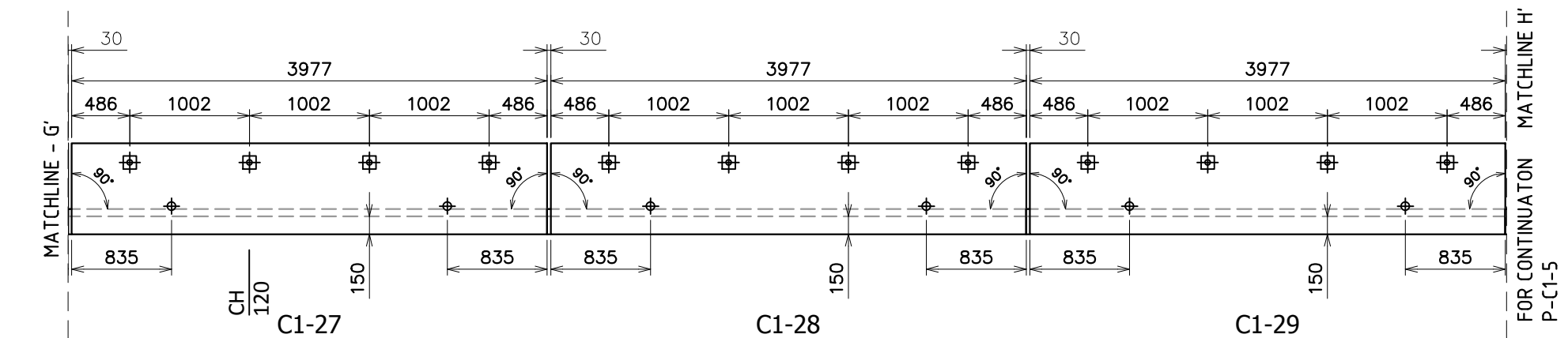


TYPICAL SECTION

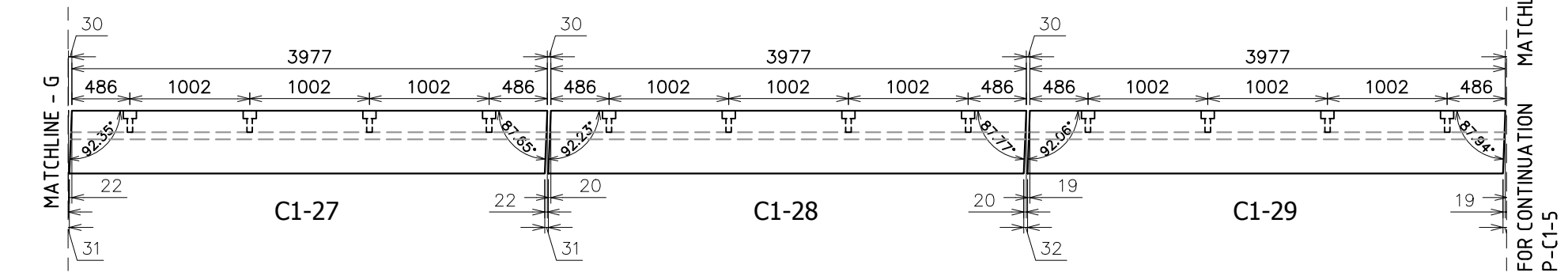
PLAN



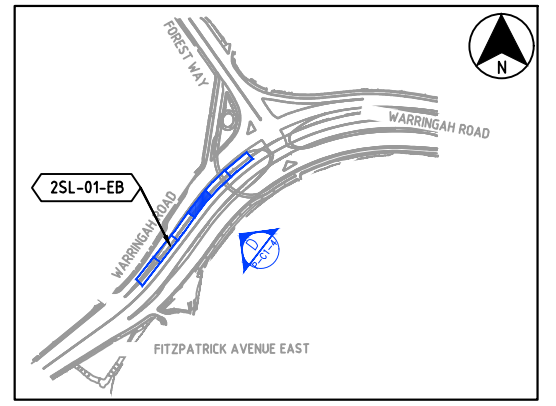
ELEVATION



PLAN



ELEVATION

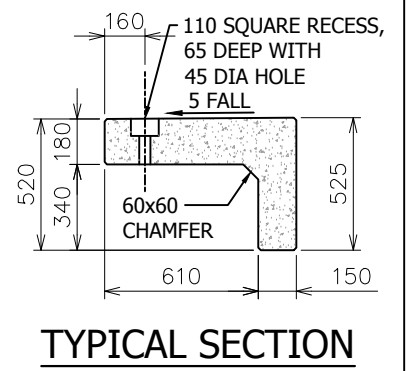
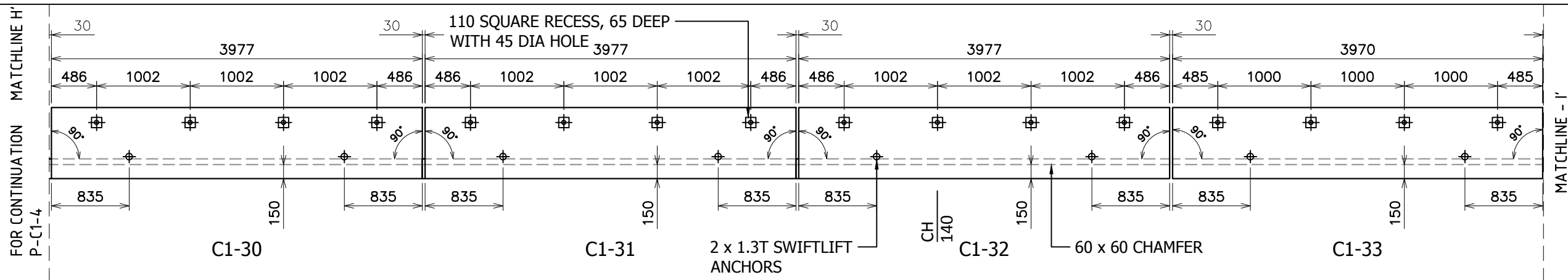


- LEGEND:**
- C1-XX = DENOTES PRECAST COPING PANEL NUMBER
 - = DENOTES BUBBLE EFFECT CAST IN SHADOW
LINE 100, 75, 50, 25mmφ MAXIMUM HEIGHT 25mm
 - = DENOTES CHAINAGE

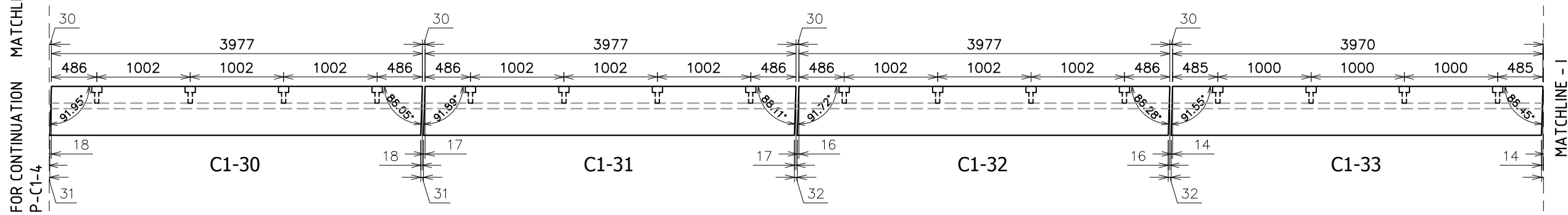
D COPING PANEL PLAN & FRONT ELEVATION (2SL-01-EB)
SCALE 1 : 50

REV.	DATE	DESCRIPTION	DRAWN	APPROVED
1	25/01/19	REVISED PANEL TO SUIT AS PER GRADE %		N.G
0	10/12/18	FOR APPROVAL	JT	

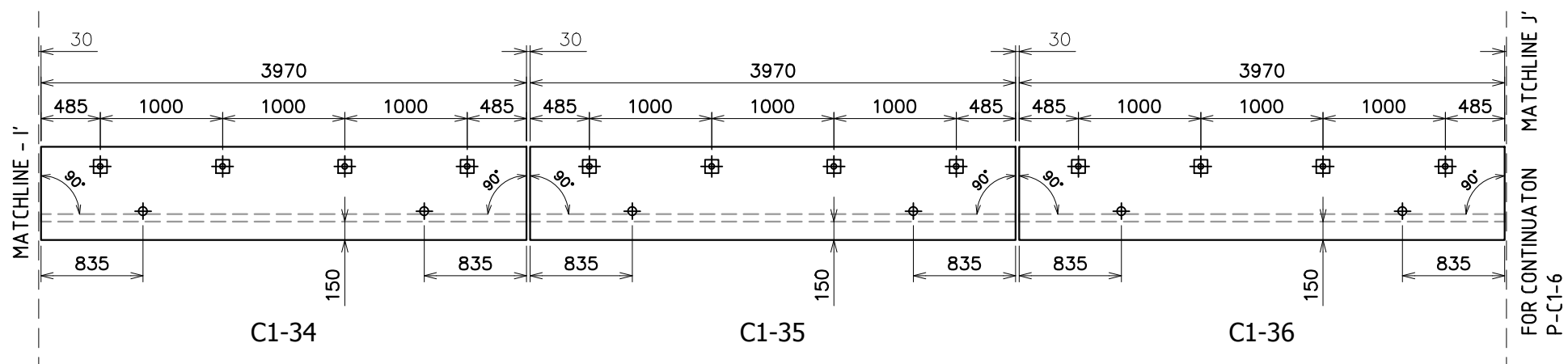
Contractor	Job	Project	Title	Zone 2000 - STAGE 2 2SL-01-EB PRECAST COPING PANEL PLAN & ELEVATION	Copyright Reserved	Drawn	JT	Date	10/12/18	Lot No. 163A	
						Designer	HP	Scale (A3)	1:50		P-C1-4
NORTHERN BEACHES COUNCIL NORTHERN BEACHES HOSPITAL CONNECTIVITY AND NETWORK ENHANCEMENT										Dwg No.	REV.



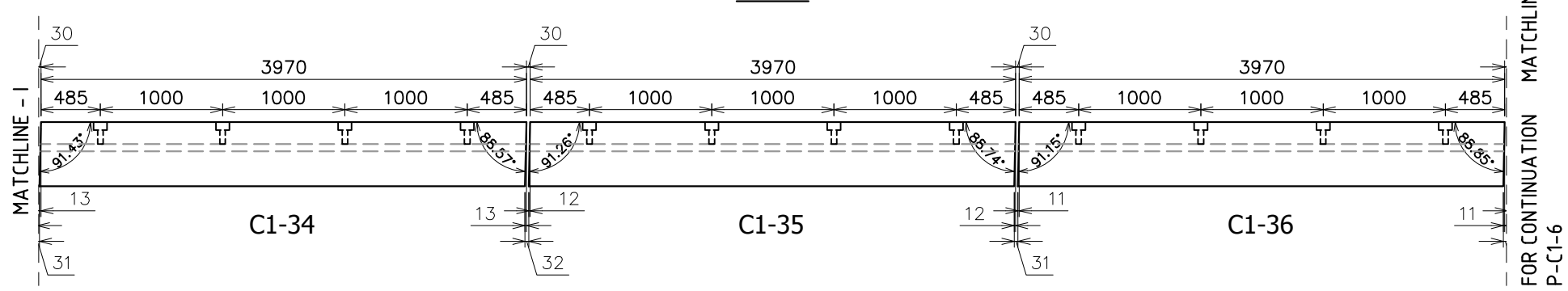
PLAN



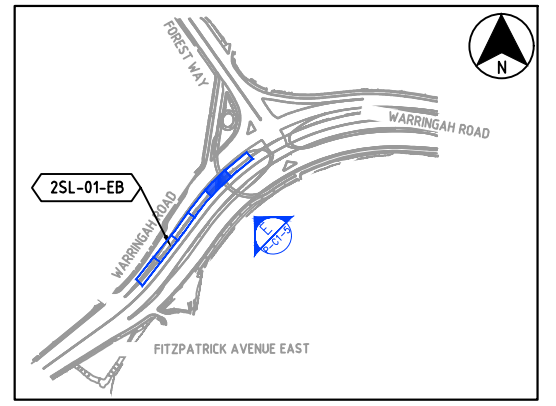
ELEVATION



PLAN



ELEVATION

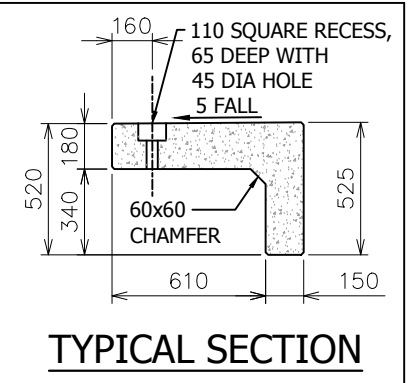
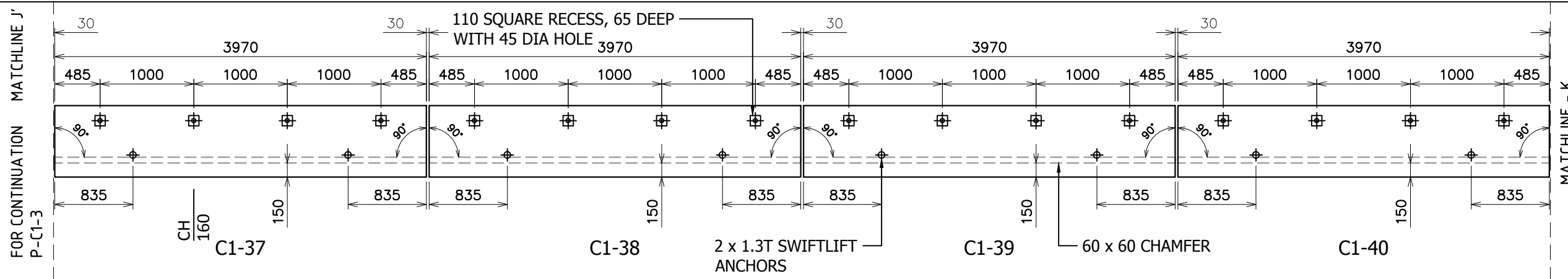


- LEGEND:**
- C1-XX = DENOTES PRECAST COPING PANEL NUMBER
 - = DENOTES BUBBLE EFFECT CAST IN SHADOW
LINE 100, 75, 50, 25mmφ MAXIMUM HEIGHT 25mm
 - = DENOTES CHAINAGE

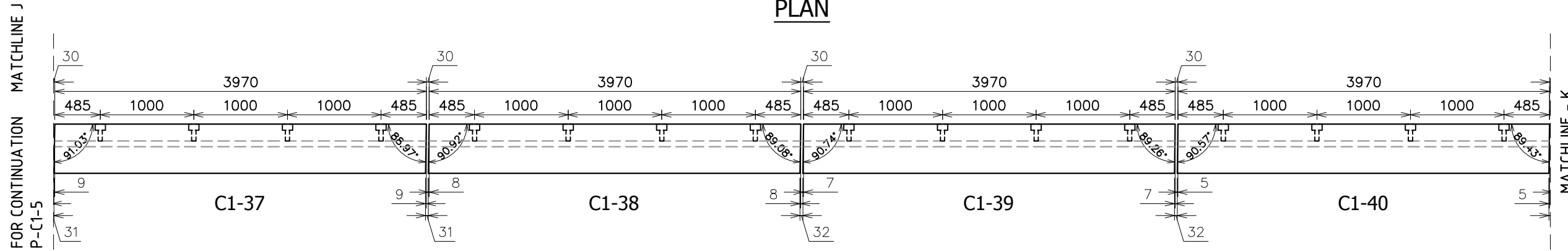
E COPING PANEL PLAN & FRONT ELEVATION (2SL-01-EB)
SCALE 1 : 50

REV.	DATE	DESCRIPTION	DRAWN	APPROVED
1	25/01/19	REVISED PANEL TO SUIT AS PER GRADE %		N.G
0	10/12/18	FOR APPROVAL	JT	

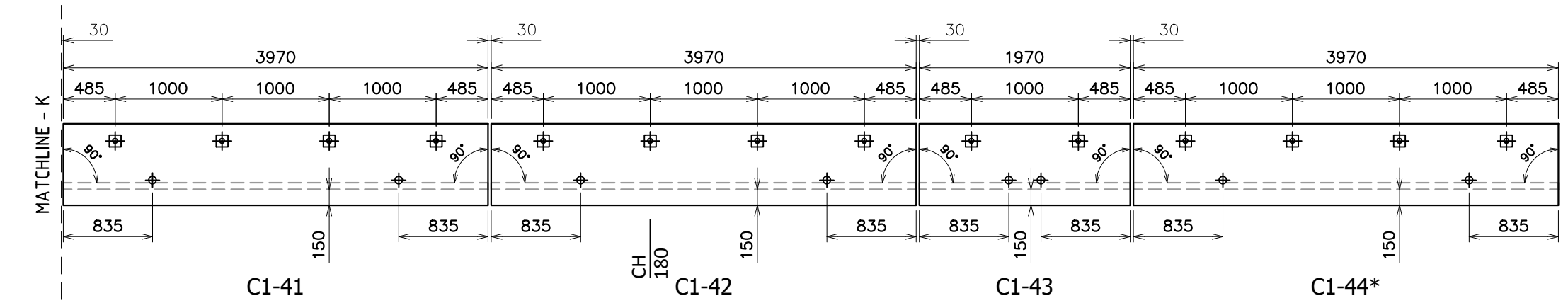
Contractor	NORTHERN BEACHES COUNCIL	Job	NORTHERN BEACHES HOSPITAL CONNECTIVITY AND NETWORK ENHANCEMENT	Project	Title	ZONE 2000 - STAGE 2 2SL-01-EB PRECAST COPING PANEL PLAN & ELEVATION	COPYRIGHT RESERVED	Drawn	JT	Date	10/12/18	Lot No.	163A
	Designer							HP	Scale (A3)	1:50	P-C1-5		



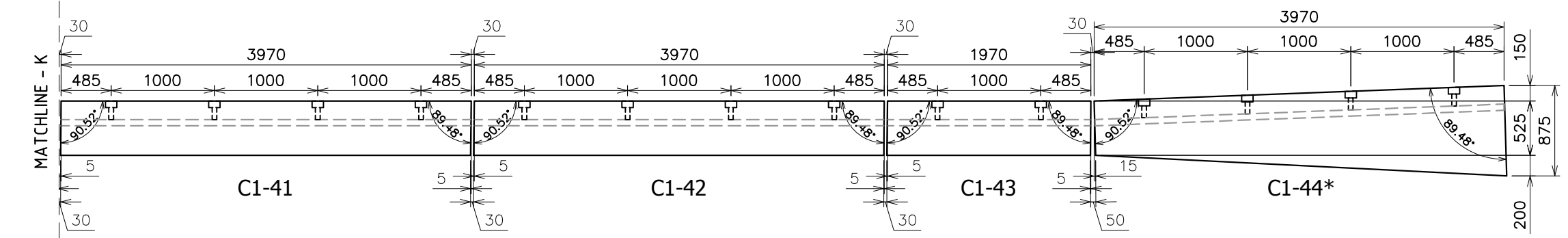
PLAN



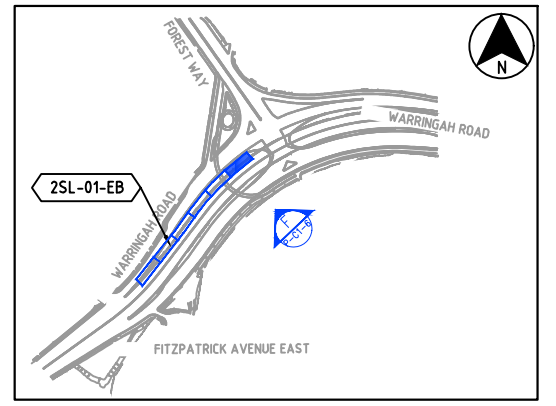
ELEVATION



PLAN



ELEVATION

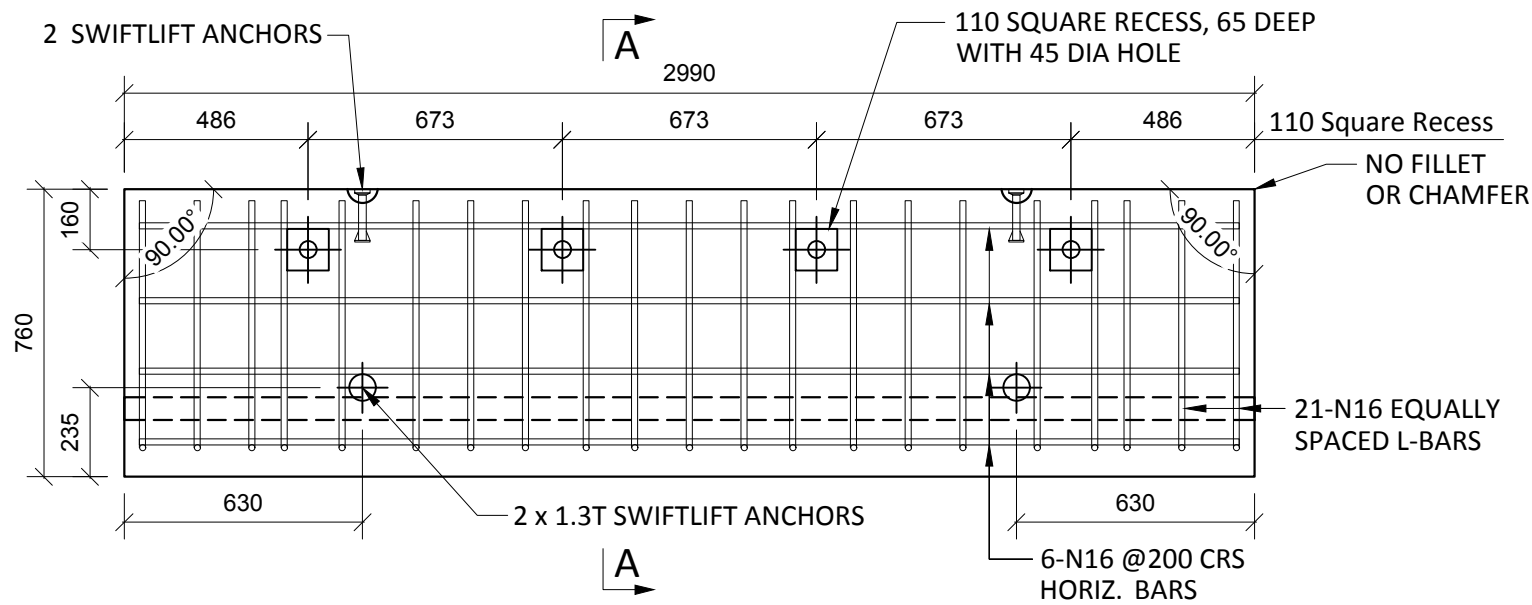


- LEGEND:**
- C1-XX = DENOTES PRECAST COPING PANEL NUMBER
 - = DENOTES BUBBLE EFFECT CAST IN SHADOW
LINE 100, 75, 50, 25mmφ MAXIMUM HEIGHT
25mm
 - = DENOTES CHAINAGE

REV.	DATE	DESCRIPTION	DRAWN	APPROVED
1	25/01/19	REVISED PANEL TO SUIT AS PER GRADE %		N.G
0	10/12/18	FOR APPROVAL		JT

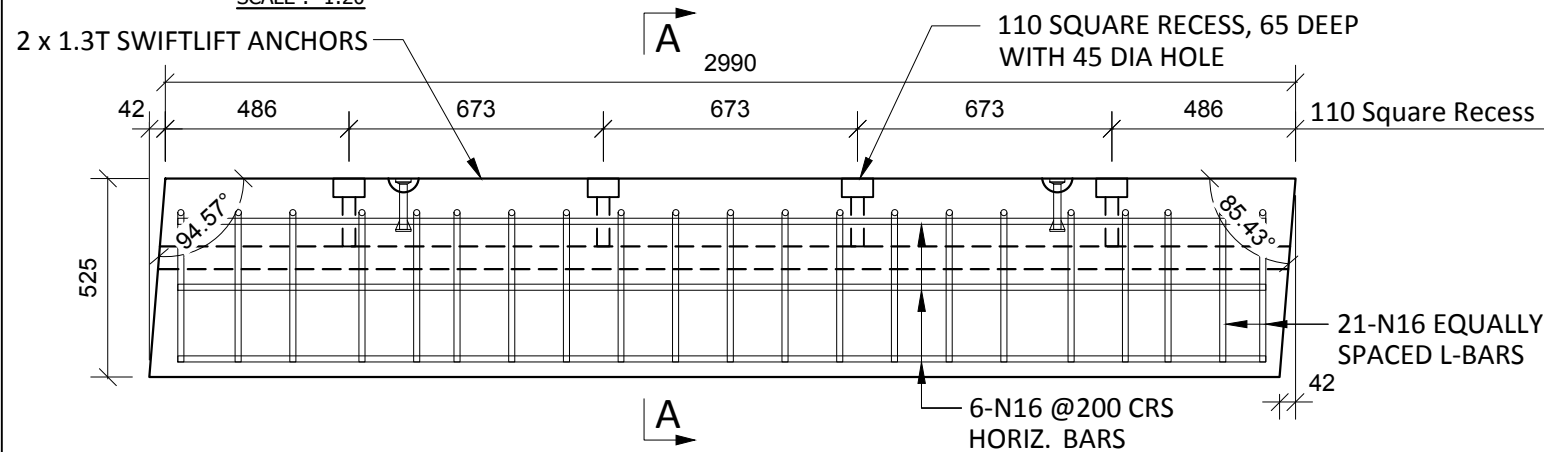
F COPING PANEL PLAN & FRONT ELEVATION (2SL-01-EB)
SCALE 1 : 50

Contractor Designer	Job NORTHERN BEACHES COUNCIL NORTHERN BEACHES HOSPITAL CONNECTIVITY AND NETWORK ENHANCEMENT	Project	Title ZONE 2000 - STAGE 2 2SL-01-EB PRECAST COPING PANEL PLAN & ELEVATION	COPYRIGHT RESERVED	Drawn	JT	Date	10/12/18	Lot No. 163A
					Checked	HP	Scale (A3)	1:50	



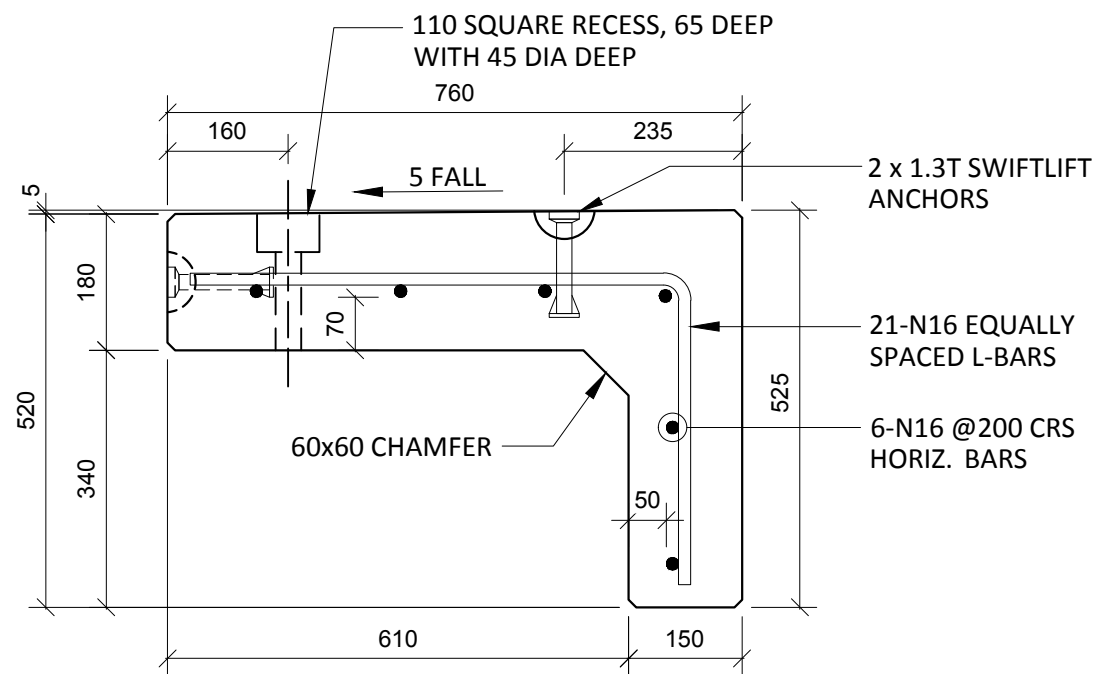
NON-STANDARD PRECAST COPING PANEL PLAN - C1-1

SCALE :- 1:20



NON-STANDARD PRECAST COPING PANEL ELEVATION - C1-1 150/180 THK.

SCALE :- 1:20



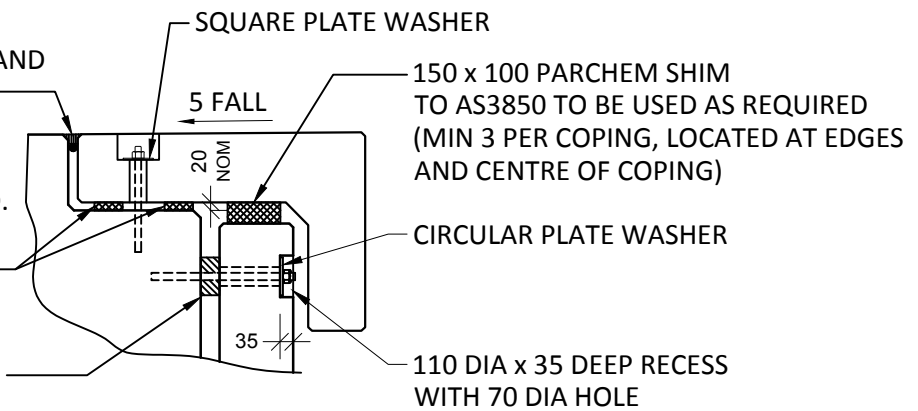
SECTION A-A

SCALE :- 1:10

SEAL GAP WITH MIN 10 DEEP JOINT SEALANT CLASS GN/C AND BACKING ROD TO SUIT

100 x 75 PARCHEM SHIMS TO AS3850 TO BE USED AS REQUIRED. (MIN 3 PER COPING, LOCATED AT EDGES AND CENTRE OF COPING)

PROVIDE SPACER TO ALIGN THE FASCIA PANELS AFTER COMPLETION OF SOIL NAIL AND SHOTCRETE WALLS



TYPICAL FIXING AND SHIM DETAIL

SCALE :- 1:20

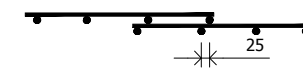
NOTES.

CONCRETE

- CONCRETE SHALL HAVE A MIN. 28 DAY COMPRESSIVE STRENGTH OF 40MPa.
- PLACING AND CURING OF CONCRETE SHALL COMPLY WITH RMS D+C SPECIFICATION B80.
- ALL CORNERS SHALL HAVE 12mmx12mm FILLETS OR CHAMFERS - U.N.O. ON DRAWINGS.
- CONCRETE EXPOSURE CLASSIFICATION: B1 TO RMS D+C SPECIFICATION B80 UNO.
- CONCRETE MIX SHALL BE IN ACCORDANCE WITH RMS D+C SPECIFICATION B80.
- LIFTERS HDG & ALL FIXING ARE SS.

REINFORCING

- COVER: 40mm U.O.N
- ALL REINFORCEMENT SHALL COMPLY WITH AS4671 GRADE D500N (TYPICAL).
- SPACING: TO BE TAKEN AS EVEN UNLESS NOTED OTHERWISE.
- BENDING: BAR BENDING & HOOK DETAILS SHALL BE IN ACCORDANCE WITH AS5100.5.
- WHERE REBATES OR RECESSES ARE REQUIRED, MIN. CLEAR COVER TO THE REINFORCEMENT SHALL BE MAINTAINED.
- REINFORCEMENT MAY BE SHOWN DIAGRAMMATICALLY AND MAY NOT NECESSARILY BE IN TRUE PROJECTION.
- THE MINIMUM LAPPED SPLICE FOR MESH SHALL BE MADE SO THAT THE OUTERMOST CROSS BARS OF ONE SHEET OVERLAP THE TWO OUTERMOST BARS CROSS BARS OF THE SHEET BEING LAPPED AS SHOWN BELOW.



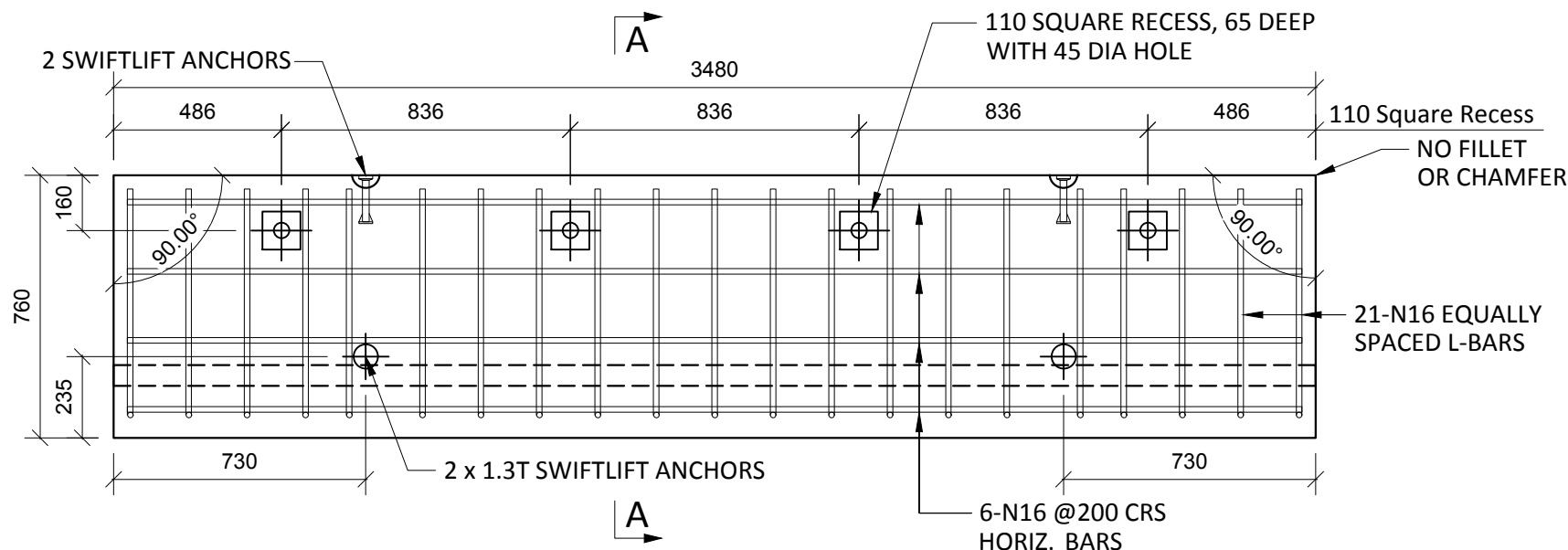
- UNLESS OTHERWISE SPECIFIED, THE MINIMUM DEVELOPMENT LENGTHS AND LENGTHS OF LAPS SHALL BE AS FOLLOWS:

BAR SIZE:	N12	N16	N20	N24
a) HORIZONTAL BARS WITH >300mm OF CONCRETE CAST BELOW THE BAR	500	700	1000	1300
b) OTHER BARS	350	550	750	1000

INSPECTION & TEST PLAN		
INSPECTED BY		
NAME OF FABRICATOR		
UNIT NO.		
CAST DATE		
CAST TIME		
CONCRETE DOCKET NO.		
CONCRETE SPECIF. (MPa)		
ITEM	FABRICATOR INITIAL	APPROVED Y/N
MOULD CLEANLINESS		
RELEASE OIL		
DIMENSIONS		
FORMWORK FIXED		
OPENING / REBATES CORRECT & POSITION		
HOLD POINT		
REINFORCING CORRECT		
LAPS & SPLICES CORRECT		
SPACING & COVER CORRECT		
HOLD POINT		
LIFTERS POSITIONED CORRECTLY		
CAST - IN ITEMS		
STARTERS, LACING BARS		
APPROVED FOR CASTING		
POST POUR INSPECTION		
INSPECTED BY		
DATE		
ITEM	APPROVED Y/N	
SWIFTLIFTS POSITION		
SWIFTLIFTS RECESS CLEANED		
CAST-IN ITEMS CLEANED		
CONCRETE FINISH		
LABELLED (NUMBER / DATED)		
DAMAGE (CRACKS / CHIPPING)		
CLEANLINESS		
ANY ACTION REQUIRED:		
-		
APPROVED FOR DISPATCH		
SLING ANGLE TO BE NOT LESS THAN 60° TO HORIZONTAL WHEN LIFTING		
40cvr TO ALL EDGES & FACES (UNO)		
Area (m ²)	3.84	
Vol (m ³)	0.57	
Wt. (t)	1.43	
MPa	40MPa	
FINISH	-	
NO: OFF	1	

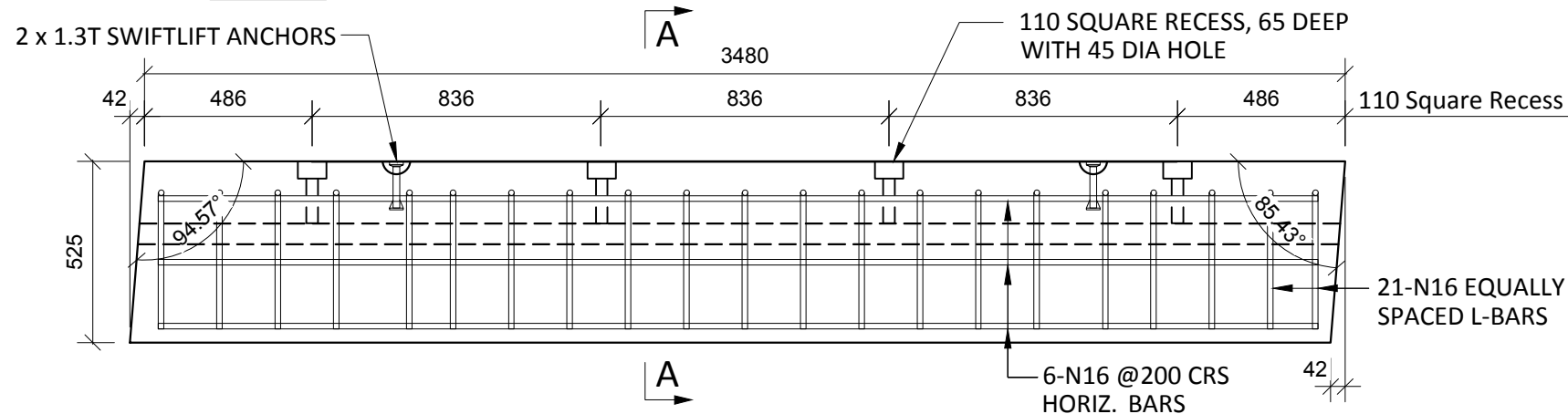
REV.	DATE	DESCRIPTION	DRAWN	APPROVED
1	05/02/19	REVISED PANEL TO SUIT GRADE%	NG	
0	10/12/18	FOR APPROVAL	NG	

Contractor	Job	Project	Title	COPYRIGHT RESERVED	Drawn	NG	Date	10/12/18	Lot No.	163A
Designer	NORTHERN BEACHES COUNCIL NORTHERN BEACHES HOSPITAL CONNECTIVITY AND NETWORK ENHANCEMENT		ZONE 2000 - STAGE 2 2SL-01-EB NON-STANDARD PRECAST COPING PANEL C1-1		Checked	HP	Scale (A3)	1:10 1:20	P- C1-1 Dwg No.	1 REV.



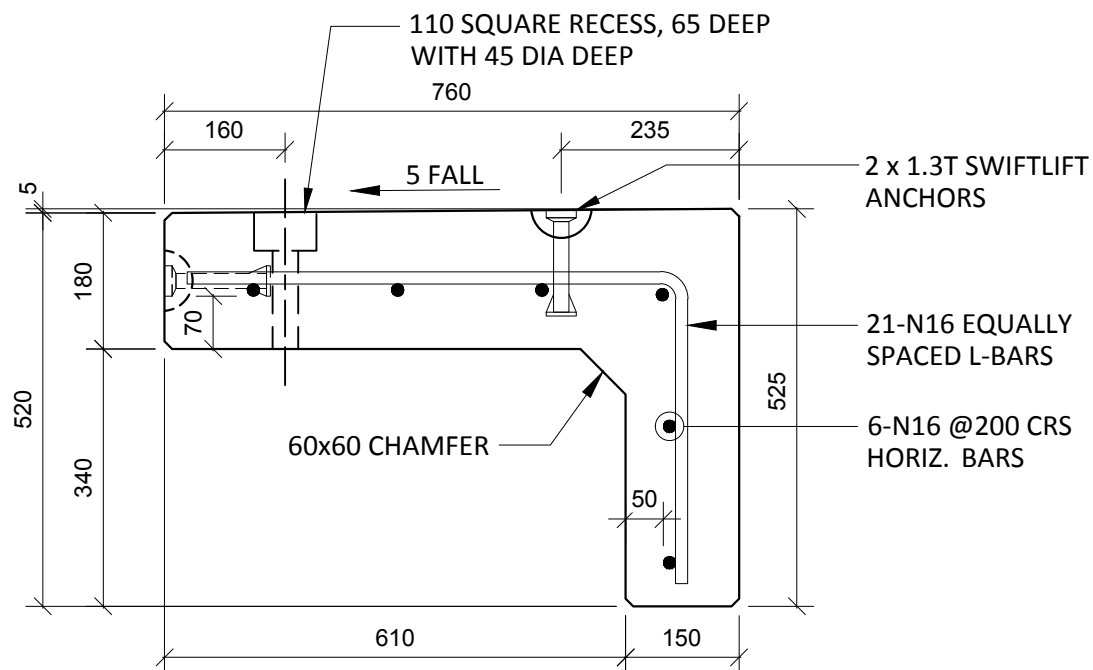
NON-STANDARD PRECAST COPING PANEL PLAN - C1-2

SCALE :- 1:20



NON-STANDARD PRECAST COPING PANEL ELEVATION - C1-2 150/180 THK.

SCALE :- 1:20

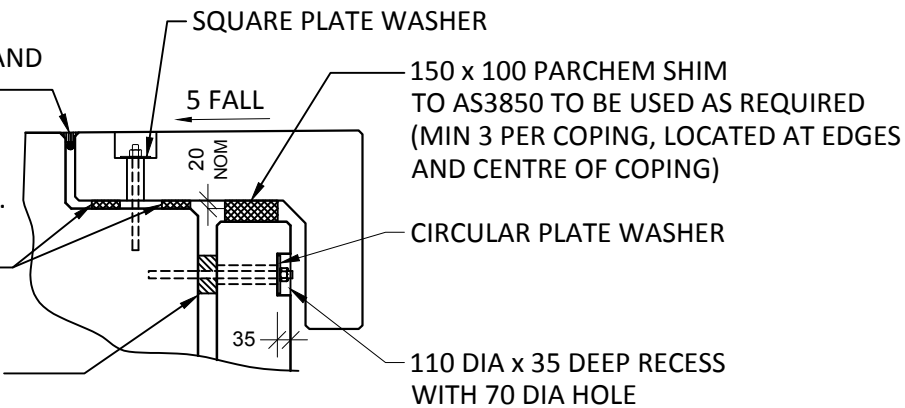


SECTION A-A

SCALE :- 1:10

SEAL GAP WITH MIN 10 DEEP JOINT SEALANT CLASS GN/C AND BACKING ROD TO SUIT

100 x 75 PARCHEM SHIMS TO AS3850 TO BE USED AS REQUIRED. (MIN 3 PER COPING, LOCATED AT EDGES AND CENTRE OF COPING)
PROVIDE SPACER TO ALIGN THE FASCIA PANELS AFTER COMPLETION OF SOIL NAIL AND SHOTCRETE WALLS



TYPICAL FIXING AND SHIM DETAIL

SCALE :- 1:20

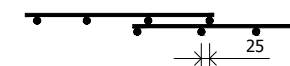
NOTES.

CONCRETE

- CONCRETE SHALL HAVE A MIN. 28 DAY COMPRESSIVE STRENGTH OF 40MPa.
- PLACING AND CURING OF CONCRETE SHALL COMPLY WITH RMS D+C SPECIFICATION B80.
- ALL CORNERS SHALL HAVE 12mmx12mm FILLETS OR CHAMFERS - U.N.O. ON DRAWINGS.
- CONCRETE EXPOSURE CLASSIFICATION: B1 TO RMS D+C SPECIFICATION B80 UNO.
- CONCRETE MIX SHALL BE IN ACCORDANCE WITH RMS D+C SPECIFICATION B80.
- LIFTERS HDG & ALL FIXING ARE SS.

REINFORCING

- COVER: 40mm U.O.N
- ALL REINFORCEMENT SHALL COMPLY WITH AS4671 GRADE D500N (TYPICAL).
- SPACING: TO BE TAKEN AS EVEN UNLESS NOTED OTHERWISE.
- BENDING: BAR BENDING & HOOK DETAILS SHALL BE IN ACCORDANCE WITH AS5100.5.
- WHERE REBATES OR RECESSES ARE REQUIRED, MIN. CLEAR COVER TO THE REINFORCEMENT SHALL BE MAINTAINED.
- REINFORCEMENT MAY BE SHOWN DIAGRAMMATICALLY AND MAY NOT NECESSARILY BE IN TRUE PROJECTION.
- THE MINIMUM LAPPED SPLICE FOR MESH SHALL BE MADE SO THAT THE OUTERMOST CROSS BARS OF ONE SHEET OVERLAP THE TWO OUTERMOST BARS CROSS BARS OF THE SHEET BEING LAPPED AS SHOWN BELOW.



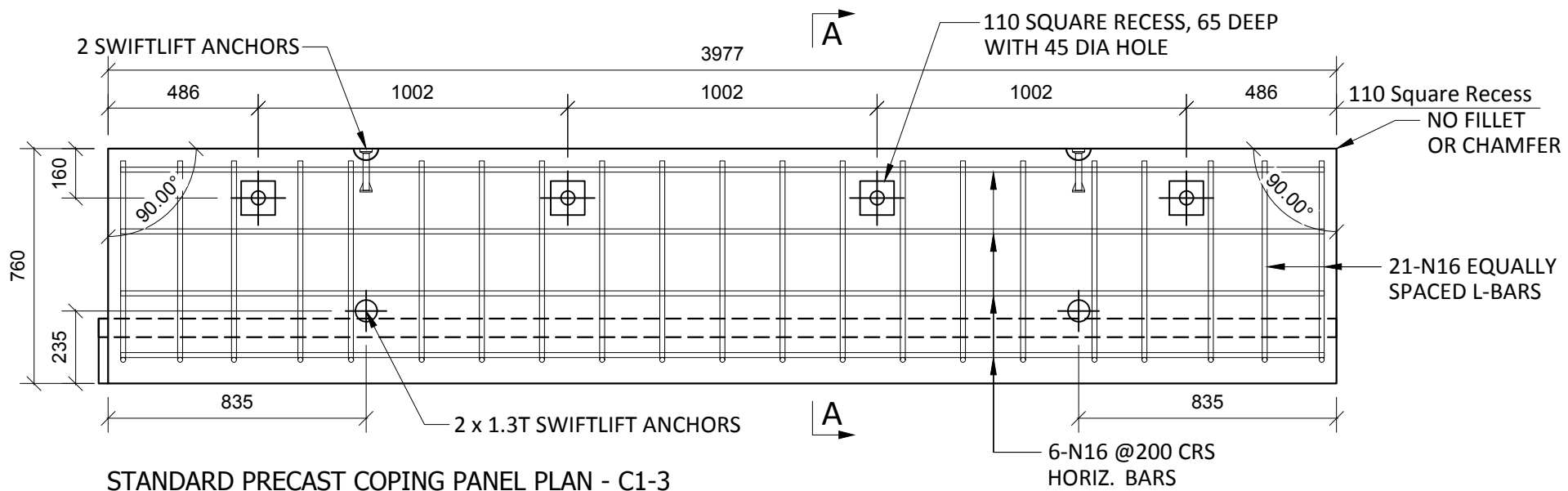
- UNLESS OTHERWISE SPECIFIED, THE MINIMUM DEVELOPMENT LENGTHS AND LENGTHS OF LAPS SHALL BE AS FOLLOWS:

BAR SIZE:	N12	N16	N20	N24
a) HORIZONTAL BARS WITH >300mm OF CONCRETE CAST BELOW THE BAR	500	700	1000	1300
b) OTHER BARS	350	550	750	1000

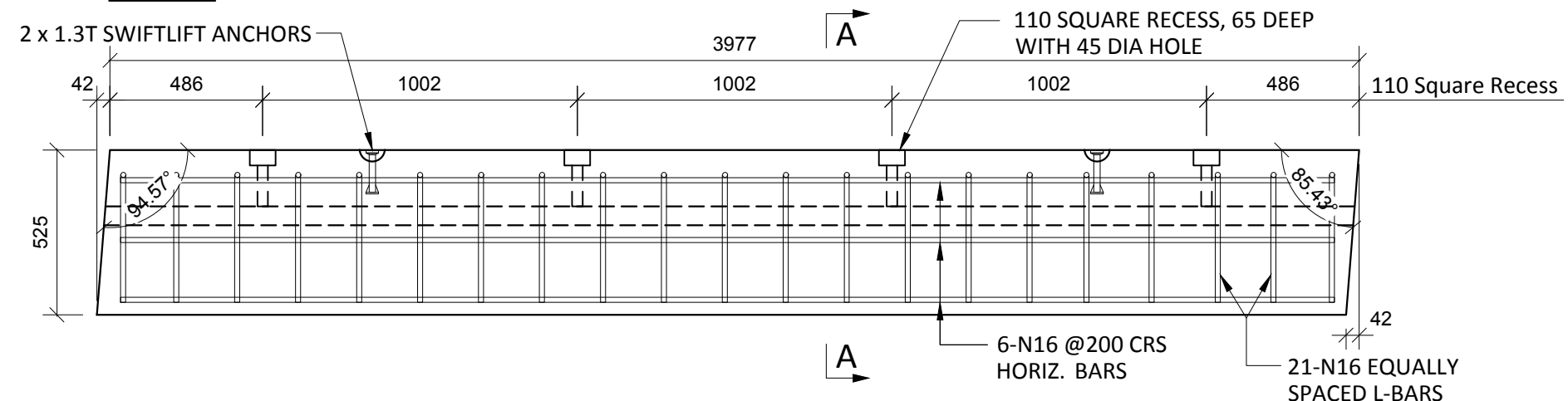
INSPECTION & TEST PLAN		
INSPECTED BY		
NAME OF FABRICATOR		
UNIT NO.		
CAST DATE		
CAST TIME		
CONCRETE DOCKET NO.		
CONCRETE SPECIF. (MPa)		
ITEM	FABRICATOR INITIAL	APPROVED Y / N
MOULD CLEANLINESS		
RELEASE OIL		
DIMENSIONS		
FORMWORK FIXED		
OPENING / REBATES CORRECT & POSITION		
HOLD POINT		
REINFORCING CORRECT		
LAPS & SPLICES CORRECT		
SPACING & COVER CORRECT		
HOLD POINT		
LIFTERS POSITIONED CORRECTLY		
CAST - IN ITEMS		
STARTERS, LACING BARS		
APPROVED FOR CASTING		
POST POUR INSPECTION		
INSPECTED BY		
DATE		
ITEM	APPROVED Y / N	
SWIFTLIFTS POSITION		
SWIFTLIFTS RECESS CLEANED		
CAST-IN ITEMS CLEANED		
CONCRETE FINISH		
LABELLED (NUMBER / DATED)		
DAMAGE (CRACKS / CHIPPING)		
CLEANLINESS		
ANY ACTION REQUIRED:		
-		
APPROVED FOR DISPATCH		
SLING ANGLE TO BE NOT LESS THAN 60° TO HORIZONTAL WHEN LIFTING		
40cvt TO ALL EDGES & FACES (UNO)		
Area (m ²)	4.47	
Vol (m ³)	0.67	
Wt. (t)	1.66	
MPa	40MPa	
FINISH	-	
NO: OFF	1	

REV.	DATE	DESCRIPTION	DRAWN	APPROVED
1	05/02/19	REVISED PANEL TO SUIT GRADE%	NG	
0	10/12/18	FOR APPROVAL	NG	

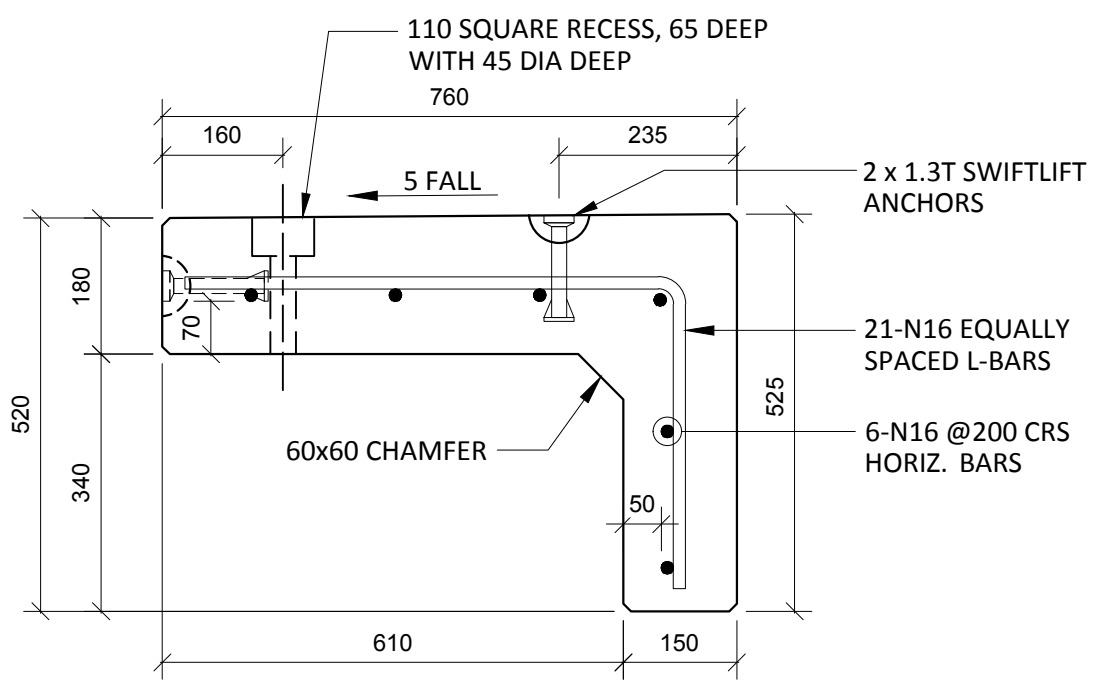
Contractor	Job	Project	Title	COPYRIGHT RESERVED	Drawn	NG	Date	10/12/18	Lot No.	163A
Designer	NORTHERN BEACHES COUNCIL NORTHERN BEACHES HOSPITAL CONNECTIVITY AND NETWORK ENHANCEMENT		ZONE 2000 - STAGE 2 2SL-01-EB NON-STANDARD PRECAST COPING PANEL C1-2		Checked	HP	Scale (A3)	1:10 1:20	P- C1-2 Dwg No.	1 REV.



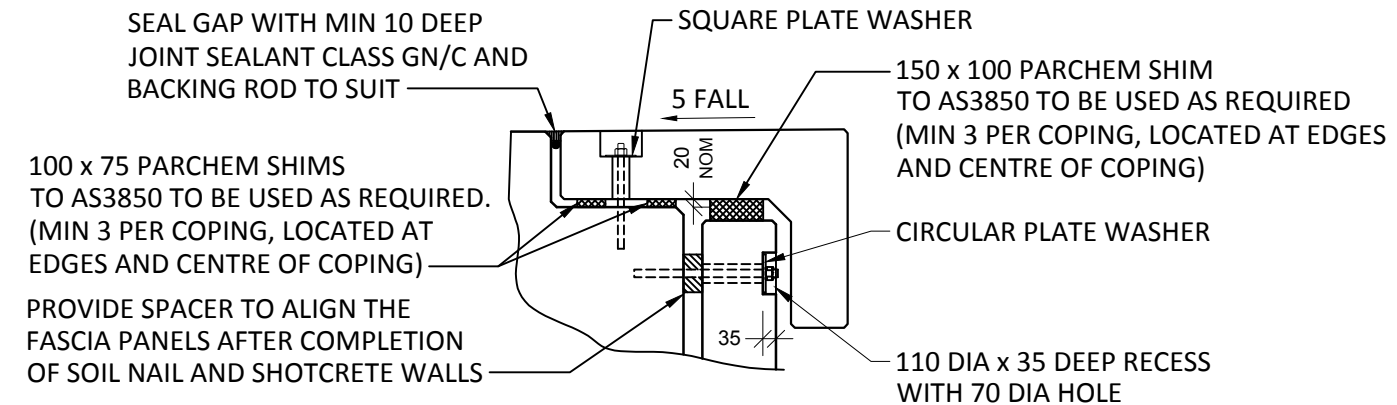
STANDARD PRECAST COPING PANEL PLAN - C1-3
SCALE :- 1:20



STANDARD PRECAST COPING PANEL ELEVATION - C1-3 150/180 THK.
SCALE :- 1:20



SECTION A-A
SCALE :- 1:10



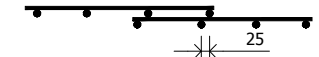
TYPICAL FIXING AND SHIM DETAIL
SCALE :- 1:20

NOTES.
CONCRETE

- CONCRETE SHALL HAVE A MIN. 28 DAY COMPRESSIVE STRENGTH OF 40MPa.
- PLACING AND CURING OF CONCRETE SHALL COMPLY WITH RMS D+C SPECIFICATION B80.
- ALL CORNERS SHALL HAVE 12mmx12mm FILLETS OR CHAMFERS - U.N.O. ON DRAWINGS.
- CONCRETE EXPOSURE CLASSIFICATION: B1 TO RMS D+C SPECIFICATION B80 UNO.
- CONCRETE MIX SHALL BE IN ACCORDANCE WITH RMS D+C SPECIFICATION B80.
- LIFTERS HDG & ALL FIXING ARE SS.

REINFORCING

- COVER: 40mm U.O.N
- ALL REINFORCEMENT SHALL COMPLY WITH AS4671 GRADE D500N (TYPICAL).
- SPACING: TO BE TAKEN AS EVEN UNLESS NOTED OTHERWISE.
- BENDING: BAR BENDING & HOOK DETAILS SHALL BE IN ACCORDANCE WITH AS5100.5.
- WHERE REBATES OR RECESSES ARE REQUIRED, MIN. CLEAR COVER TO THE REINFORCEMENT SHALL BE MAINTAINED.
- REINFORCEMENT MAY BE SHOWN DIAGRAMMATICALLY AND MAY NOT NECESSARILY BE IN TRUE PROJECTION.
- THE MINIMUM LAPPED SPLICE FOR MESH SHALL BE MADE SO THAT THE OUTERMOST CROSS BARS OF ONE SHEET OVERLAP THE TWO OUTERMOST BARS CROSS BARS OF THE SHEET BEING LAPPED AS SHOWN BELOW.



- UNLESS OTHERWISE SPECIFIED, THE MINIMUM DEVELOPMENT LENGTHS AND LENGTHS OF LAPS SHALL BE AS FOLLOWS:

BAR SIZE:	N12	N16	N20	N24
a) HORIZONTAL BARS WITH >300mm OF CONCRETE CAST BELOW THE BAR	500	700	1000	1300
b) OTHER BARS	350	550	750	1000

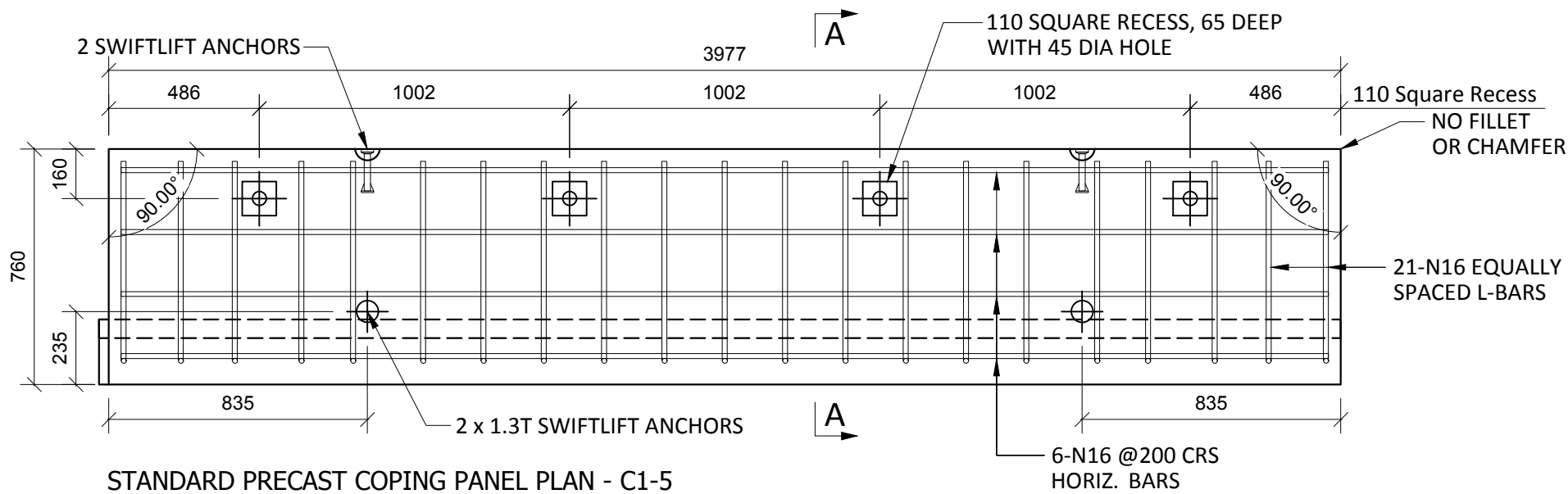
INSPECTION & TEST PLAN		
INSPECTED BY		
NAME OF FABRICATOR		
UNIT NO.		
CAST DATE		
CAST TIME		
CONCRETE DOCKET NO.		
CONCRETE SPECIF. (MPa)		
ITEM	FABRICATOR INITIAL	APPROVED Y / N
MOULD CLEANLINESS		
RELEASE OIL		
DIMENSIONS		
FORMWORK FIXED		
OPENING / REBATES CORRECT & POSITION		
HOLD POINT		
REINFORCING CORRECT		
LAPS & SPLICES CORRECT		
SPACING & COVER CORRECT		
HOLD POINT		
LIFTERS POSITIONED CORRECTLY		
CAST - IN ITEMS		
STARTERS, LACING BARS		
APPROVED FOR CASTING		
POST POUR INSPECTION		
INSPECTED BY		
DATE		
ITEM		APPROVED Y / N
SWIFTLIFTS POSITION		
SWIFTLIFTS RECESS CLEANED		
CAST-IN ITEMS CLEANED		
CONCRETE FINISH		
LABELLED (NUMBER / DATED)		
DAMAGE (CRACKS / CHIPPING)		
CLEANLINESS		
ANY ACTION REQUIRED:		
APPROVED FOR DISPATCH		
SLING ANGLE TO BE NOT LESS THAN 60° TO HORIZONTAL WHEN LIFTING		
40cvr TO ALL EDGES & FACES (UNO)		
Area (m ²)	5.11	
Vol (m ³)	0.76	
Wt. (t)	1.90	
MPa	40MPa	
FINISH	-	
NO: OFF	2	

TYPICAL PANEL LIST

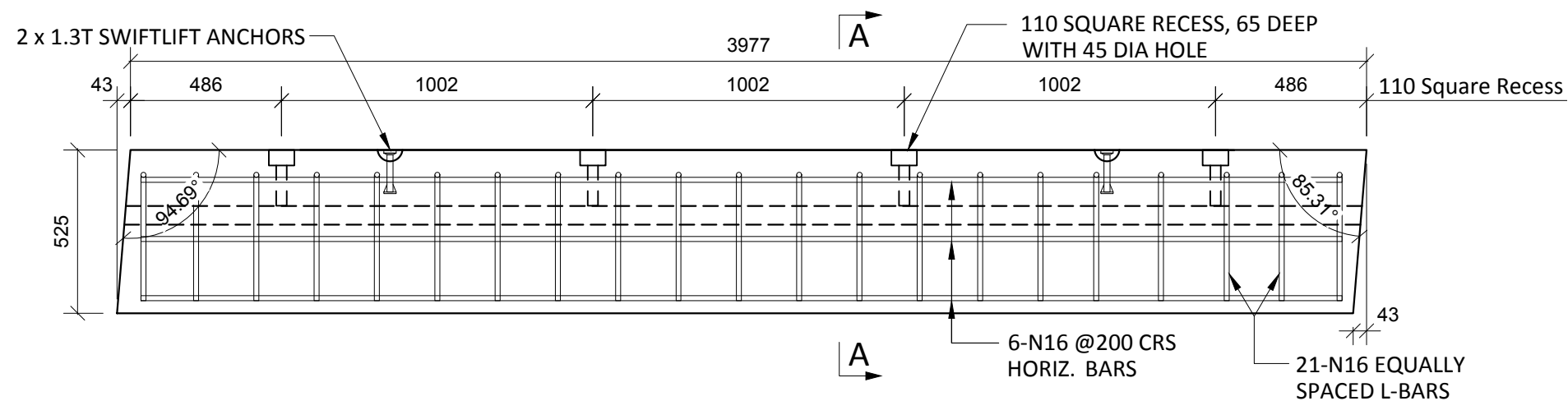
PANEL NO.	LENGTH	NUMBER REQUIRED
C1-3 & C1-4	3977	2

REV.	DATE	DESCRIPTION	DRAWN	APPROVED
1	05/02/19	REVISED PANEL TO SUIT GRADE%	NG	
0	10/12/18	FOR APPROVAL	NG	

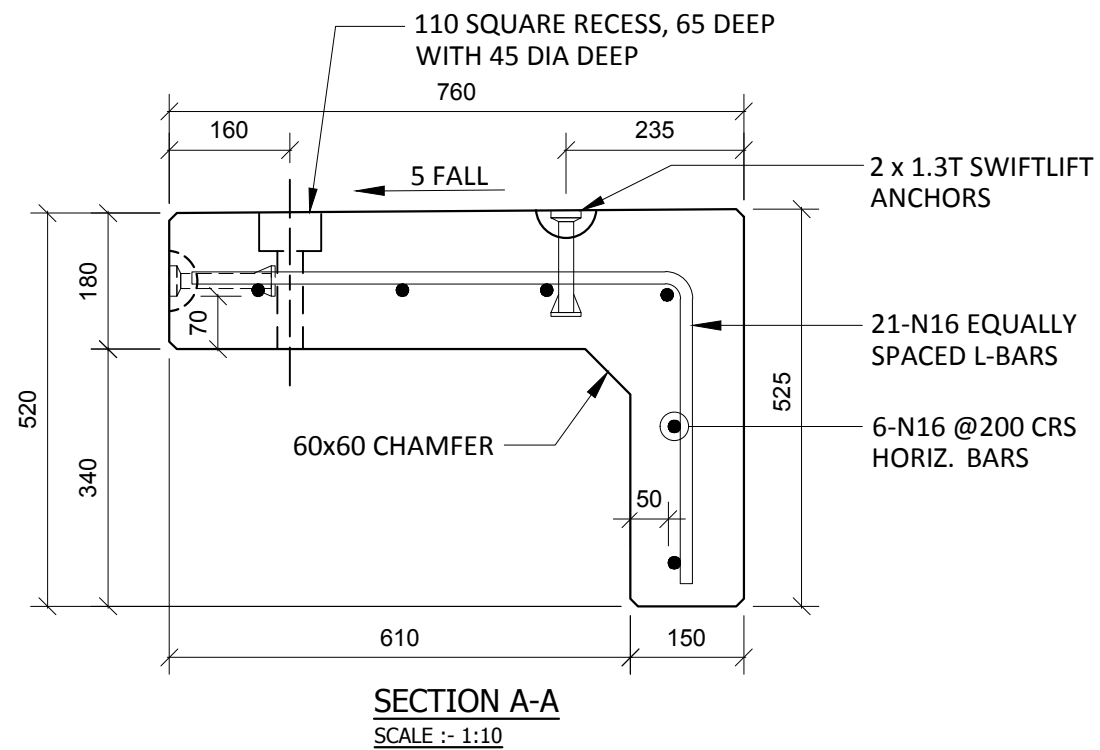
Contractor	Job	Project	Title	DRAWN	NG	Date	10/12/18	Lot No.	163A
Designer	NORTHERN BEACHES COUNCIL NORTHERN BEACHES HOSPITAL CONNECTIVITY AND NETWORK ENHANCEMENT		ZONE 2000 - STAGE 2 2SL-01-EB PRECAST COPING PANEL C1-3						
				CHECKED	HP	Scale (A3)	1:10 1:20	P- C1-3	1
								Dwg No.	REV.



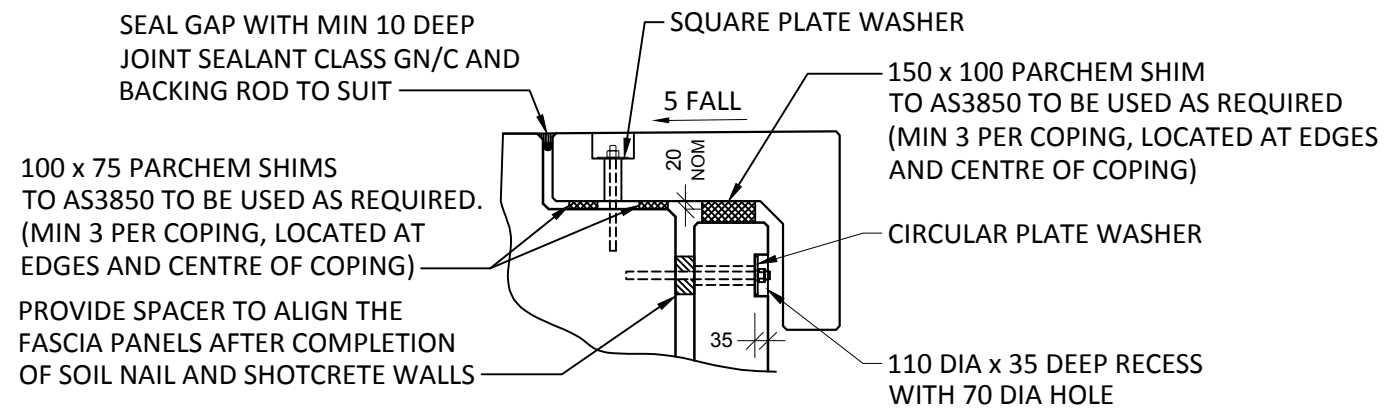
STANDARD PRECAST COPING PANEL PLAN - C1-5
SCALE :- 1:20



STANDARD PRECAST COPING PANEL ELEVATION - C1-5 150/180 THK.
SCALE :- 1:20



SECTION A-A
SCALE :- 1:10



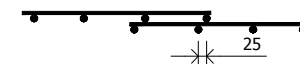
TYPICAL FIXING AND SHIM DETAIL
SCALE :- 1:20

NOTES.
CONCRETE

- CONCRETE SHALL HAVE A MIN. 28 DAY COMPRESSIVE STRENGTH OF 40MPa.
- PLACING AND CURING OF CONCRETE SHALL COMPLY WITH RMS D+C SPECIFICATION B80.
- ALL CORNERS SHALL HAVE 12mmx12mm FILLETS OR CHAMFERS - U.N.O. ON DRAWINGS.
- CONCRETE EXPOSURE CLASSIFICATION: B1 TO RMS D+C SPECIFICATION B80 UNO.
- CONCRETE MIX SHALL BE IN ACCORDANCE WITH RMS D+C SPECIFICATION B80.
- LIFTERS HDG & ALL FIXING ARE SS.

REINFORCING

- COVER: 40mm U.O.N
- ALL REINFORCEMENT SHALL COMPLY WITH AS4671 GRADE D500N (TYPICAL).
- SPACING: TO BE TAKEN AS EVEN UNLESS NOTED OTHERWISE.
- BENDING: BAR BENDING & HOOK DETAILS SHALL BE IN ACCORDANCE WITH AS5100.5.
- WHERE REBATES OR RECESSES ARE REQUIRED, MIN. CLEAR COVER TO THE REINFORCEMENT SHALL BE MAINTAINED.
- REINFORCEMENT MAY BE SHOWN DIAGRAMMATICALLY AND MAY NOT NECESSARILY BE IN TRUE PROJECTION.
- THE MINIMUM LAPPED SPLICE FOR MESH SHALL BE MADE SO THAT THE OUTERMOST CROSS BARS OF ONE SHEET OVERLAP THE TWO OUTERMOST BARS CROSS BARS OF THE SHEET BEING LAPPED AS SHOWN BELOW.



- UNLESS OTHERWISE SPECIFIED, THE MINIMUM DEVELOPMENT LENGTHS AND LENGTHS OF LAPS SHALL BE AS FOLLOWS:

BAR SIZE:	N12	N16	N20	N24
a) HORIZONTAL BARS WITH >300mm OF CONCRETE CAST BELOW THE BAR	500	700	1000	1300
b) OTHER BARS	350	550	750	1000

INSPECTION & TEST PLAN		
INSPECTED BY		
NAME OF FABRICATOR		
UNIT NO.		
CAST DATE		
CAST TIME		
CONCRETE DOCKET NO.		
CONCRETE SPECIF. (MPa)		
ITEM	FABRICATOR INITIAL	APPROVED Y / N
MOULD CLEANLINESS		
RELEASE OIL		
DIMENSIONS		
FORMWORK FIXED		
OPENING / REBATES CORRECT & POSITION		
HOLD POINT		
REINFORCING CORRECT		
LAPS & SPLICES CORRECT		
SPACING & COVER CORRECT		
HOLD POINT		
LIFTERS POSITIONED CORRECTLY		
CAST - IN ITEMS		
STARTERS, LACING BARS		
APPROVED FOR CASTING		
POST POUR INSPECTION		
INSPECTED BY		
DATE		
ITEM	APPROVED Y / N	
SWIFTLIFTS POSITION		
SWIFTLIFTS RECESS CLEANED		
CAST-IN ITEMS CLEANED		
CONCRETE FINISH		
LABELLED (NUMBER / DATED)		
DAMAGE (CRACKS / CHIPPING)		
CLEANLINESS		
ANY ACTION REQUIRED:		
-		
APPROVED FOR DISPATCH		
SLING ANGLE TO BE NOT LESS THAN 60° TO HORIZONTAL WHEN LIFTING		
40cvr TO ALL EDGES & FACES (UNO)		
Area (m ²)	5.11	
Vol (m ³)	0.76	
Wt. (t)	1.90	
MPa	40MPa	
FINISH	-	
NO: OFF	3	

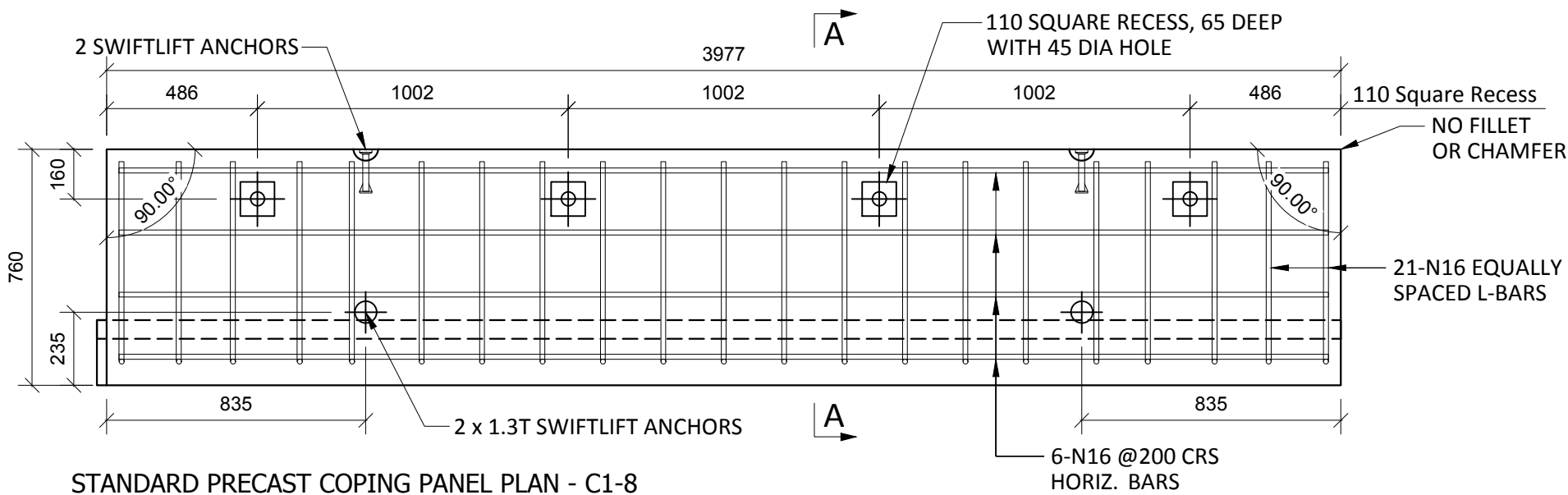
TYPICAL PANEL LIST

PANEL NO.	LENGTH	NUMBER REQUIRED
C1-5,C1-6&C1-7	3977	3

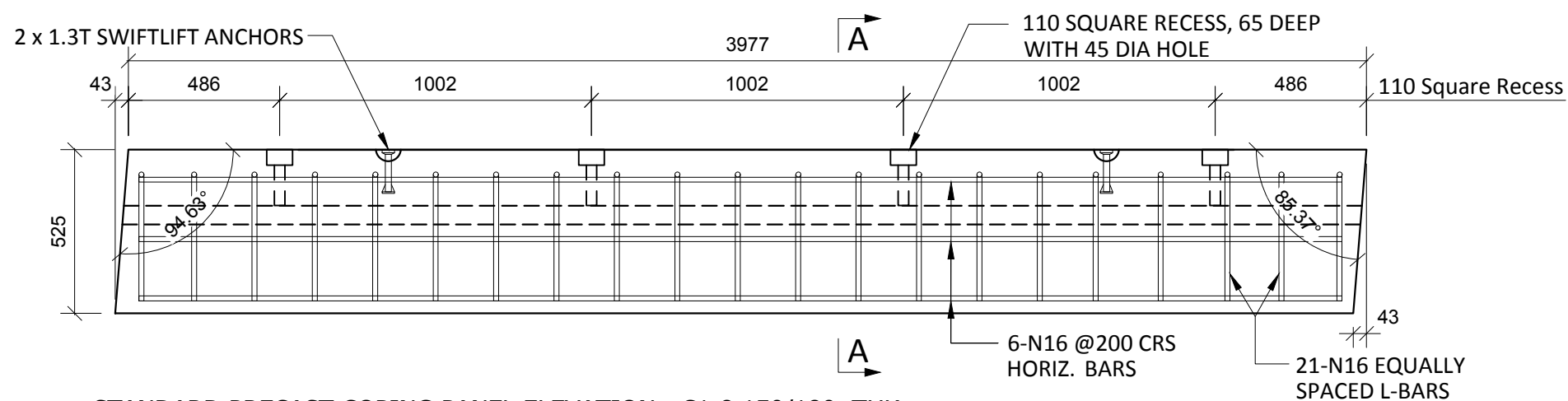
REV.	DATE	DESCRIPTION	DRAWN	APPROVED
1	05/02/19	REVISED PANEL TO SUIT GRADE%	NG	
0	10/12/18	FOR APPROVAL	NG	

Contractor	Job	Project	Title	DRAWN	NG	Date	10/12/18	Lot No.	163A
Designer	NORTHERN BEACHES COUNCIL NORTHERN BEACHES HOSPITAL CONNECTIVITY AND NETWORK ENHANCEMENT		ZONE 2000 - STAGE 2 2SL-01-EB PRECAST COPING PANEL C1-5						
				Checked	HP	Scale (A3)	1:10 1:20	P- C1-5	1
								Dwg No.	REV.

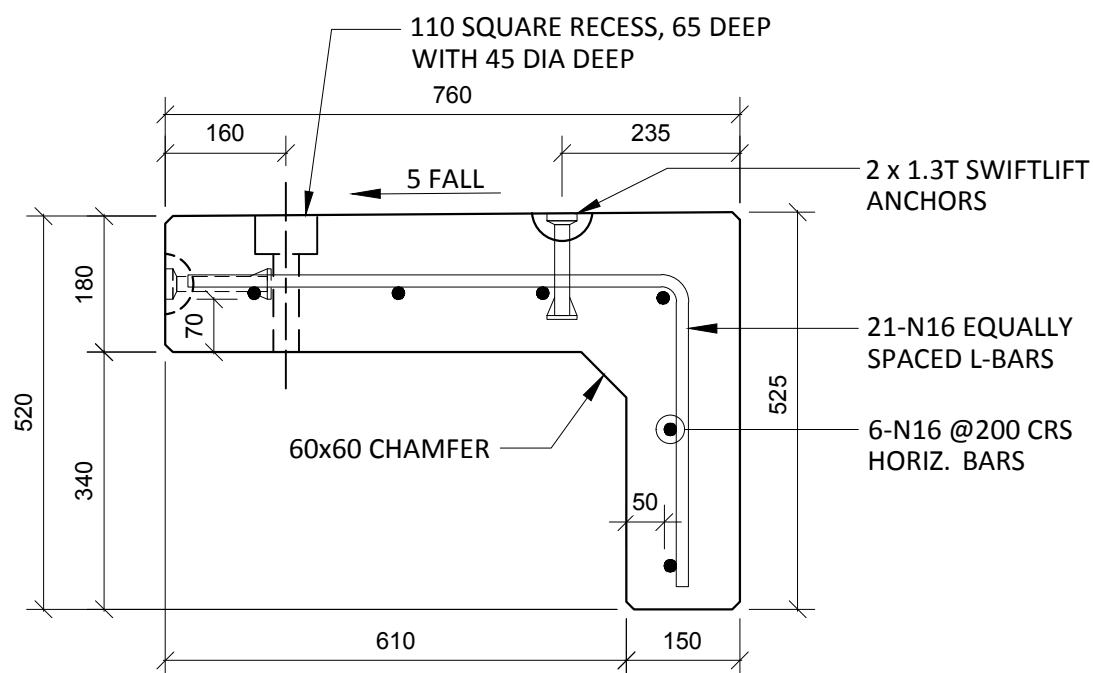
COPYRIGHT RESERVED



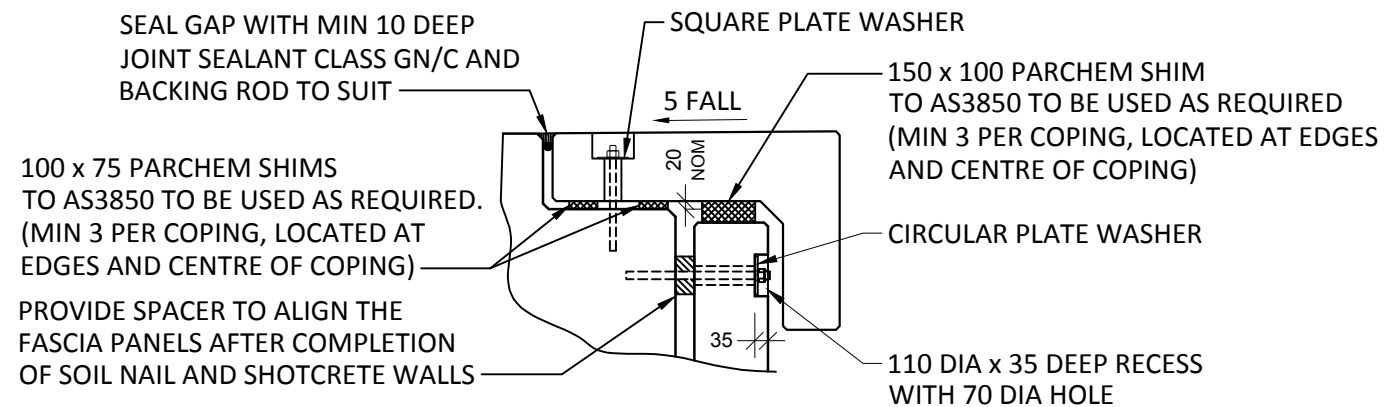
STANDARD PRECAST COPING PANEL PLAN - C1-8
SCALE :- 1:20



STANDARD PRECAST COPING PANEL ELEVATION - C1-8 150/180 THK.
SCALE :- 1:20



SECTION A-A
SCALE :- 1:10



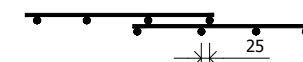
TYPICAL FIXING AND SHIM DETAIL
SCALE :- 1:20

NOTES.
CONCRETE

- CONCRETE SHALL HAVE A MIN. 28 DAY COMPRESSIVE STRENGTH OF 40MPa.
- PLACING AND CURING OF CONCRETE SHALL COMPLY WITH RMS D+C SPECIFICATION B80.
- ALL CORNERS SHALL HAVE 12mmx12mm FILLETS OR CHAMFERS - U.N.O. ON DRAWINGS.
- CONCRETE EXPOSURE CLASSIFICATION: B1 TO RMS D+C SPECIFICATION B80 UNO.
- CONCRETE MIX SHALL BE IN ACCORDANCE WITH RMS D+C SPECIFICATION B80.
- LIFTERS HDG & ALL FIXING ARE SS.

REINFORCING

- COVER: 40mm U.O.N
- ALL REINFORCEMENT SHALL COMPLY WITH AS4671 GRADE D500N (TYPICAL).
- SPACING: TO BE TAKEN AS EVEN UNLESS NOTED OTHERWISE.
- BENDING: BAR BENDING & HOOK DETAILS SHALL BE IN ACCORDANCE WITH AS5100.5.
- WHERE REBATES OR RECESSES ARE REQUIRED, MIN. CLEAR COVER TO THE REINFORCEMENT SHALL BE MAINTAINED.
- REINFORCEMENT MAY BE SHOWN DIAGRAMMATICALLY AND MAY NOT NECESSARILY BE IN TRUE PROJECTION.
- THE MINIMUM LAPPED SPLICE FOR MESH SHALL BE MADE SO THAT THE OUTERMOST CROSS BARS OF ONE SHEET OVERLAP THE TWO OUTERMOST BARS CROSS BARS OF THE SHEET BEING LAPPED AS SHOWN BELOW.



- UNLESS OTHERWISE SPECIFIED, THE MINIMUM DEVELOPMENT LENGTHS AND LENGTHS OF LAPS SHALL BE AS FOLLOWS:

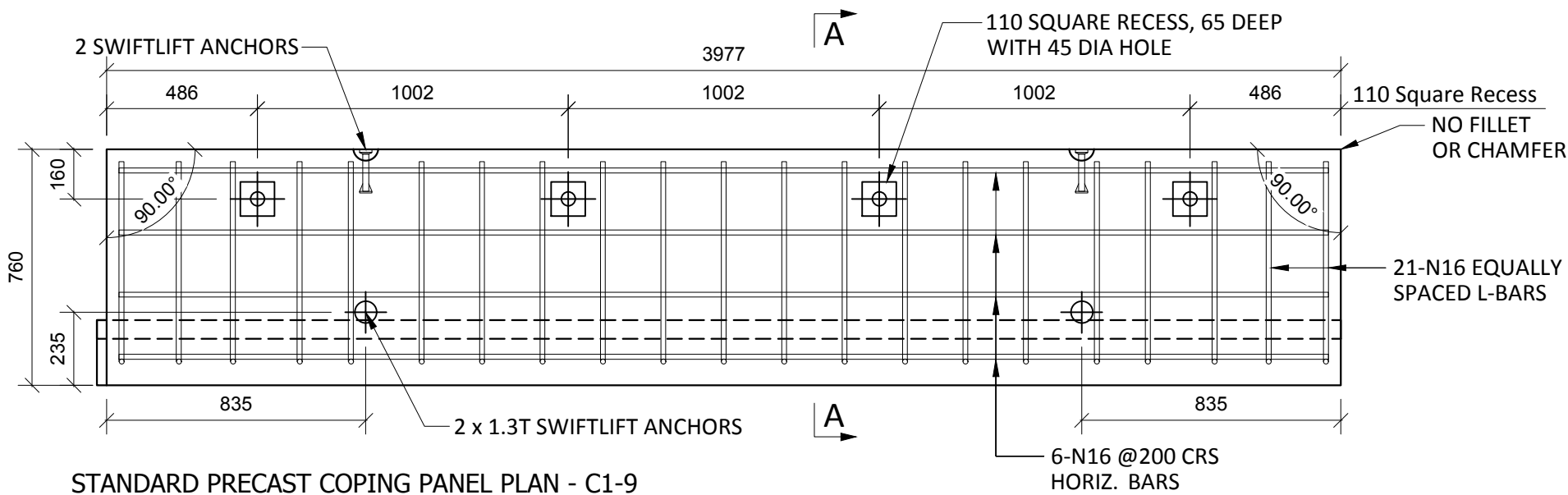
BAR SIZE:	N12	N16	N20	N24
a) HORIZONTAL BARS WITH >300mm OF CONCRETE CAST BELOW THE BAR	500	700	1000	1300
b) OTHER BARS	350	550	750	1000

INSPECTION & TEST PLAN		
INSPECTED BY		
NAME OF FABRICATOR		
UNIT NO.		
CAST DATE		
CAST TIME		
CONCRETE DOCKET NO.		
CONCRETE SPECIF. (MPa)		
ITEM	FABRICATOR INITIAL	APPROVED Y / N
MOULD CLEANLINESS		
RELEASE OIL		
DIMENSIONS		
FORMWORK FIXED		
OPENING / REBATES CORRECT & POSITION		
HOLD POINT		
REINFORCING CORRECT		
LAPS & SPLICES CORRECT		
SPACING & COVER CORRECT		
HOLD POINT		
LIFTERS POSITIONED CORRECTLY		
CAST - IN ITEMS		
STARTERS, LACING BARS		
APPROVED FOR CASTING		
POST POUR INSPECTION		
INSPECTED BY		
DATE		
ITEM	APPROVED Y / N	
SWIFTLIFTS POSITION		
SWIFTLIFTS RECESS CLEANED		
CAST-IN ITEMS CLEANED		
CONCRETE FINISH		
LABELLED (NUMBER / DATED)		
DAMAGE (CRACKS / CHIPPING)		
CLEANLINESS		
ANY ACTION REQUIRED:		
-		
APPROVED FOR DISPATCH		
SLING ANGLE TO BE NOT LESS THAN 60° TO HORIZONTAL WHEN LIFTING		
40cvr TO ALL EDGES & FACES (UNO)		
Area (m ²)	5.11	
Vol (m ³)	0.76	
Wt. (t)	1.90	
MPa	40MPa	
FINISH	-	
NO: OFF	1	

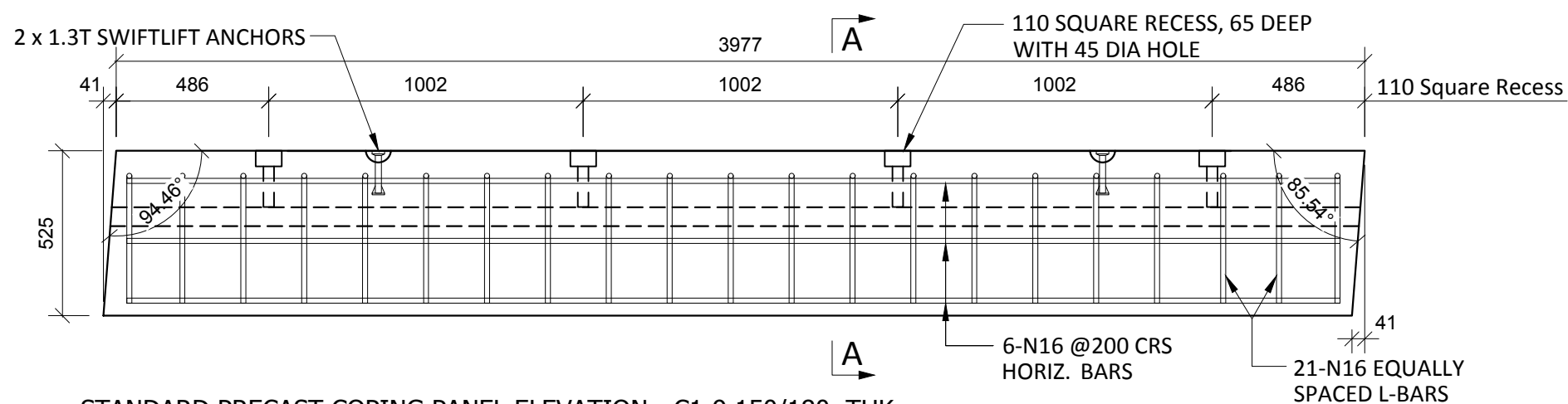
REV.	DATE	DESCRIPTION	DRAWN	APPROVED
1	05/02/19	REVISED PANEL TO SUIT GRADE%	NG	
0	10/12/18	FOR APPROVAL	NG	

Contractor	Job	Project	Title	DRAWN	NG	Date	10/12/18	Lot No.	163A
Designer	NORTHERN BEACHES COUNCIL NORTHERN BEACHES HOSPITAL CONNECTIVITY AND NETWORK ENHANCEMENT		ZONE 2000 - STAGE 2 2SL-01-EB PRECAST COPING PANEL C1-8						
				CHECKED	HP	Scale (A3)	1:10 1:20	P- C1-8	1
								Dwg No.	REV.

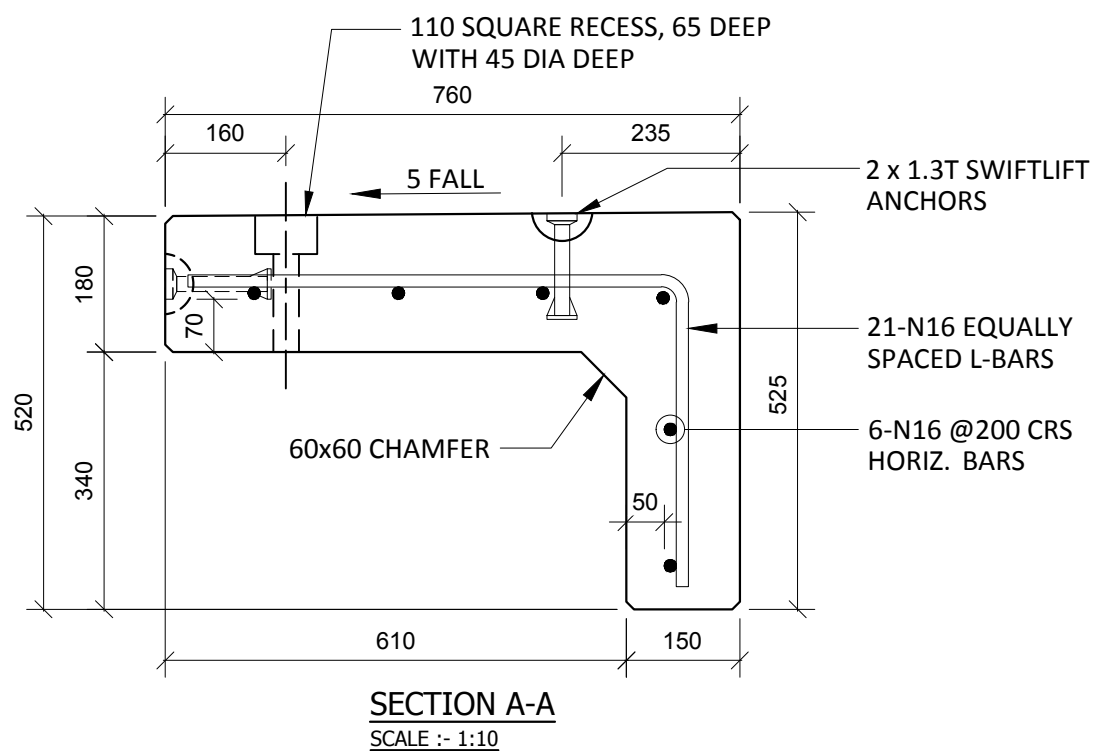
COPYRIGHT RESERVED



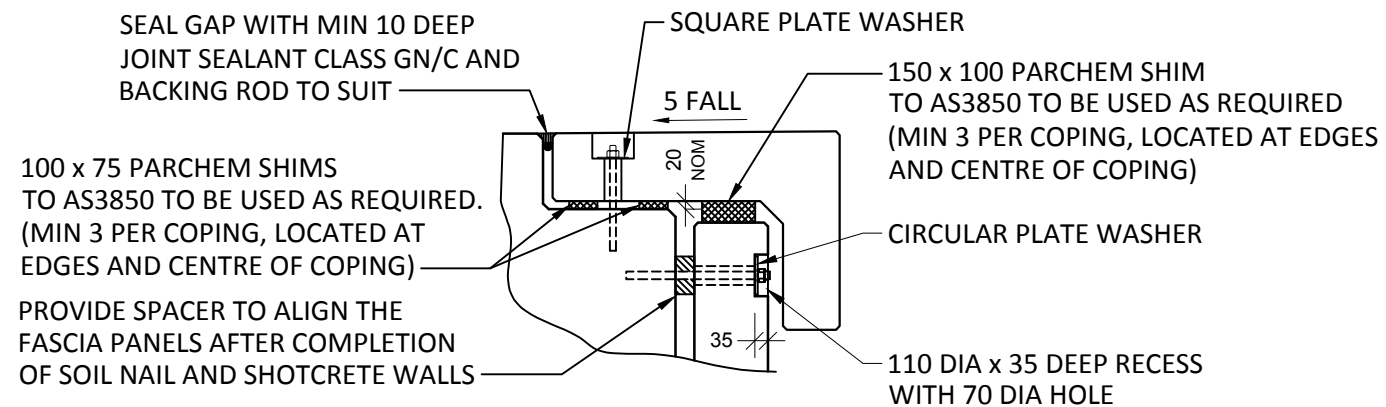
STANDARD PRECAST COPING PANEL PLAN - C1-9
SCALE :- 1:20



STANDARD PRECAST COPING PANEL ELEVATION - C1-9 150/180 THK.
SCALE :- 1:20



SECTION A-A
SCALE :- 1:10



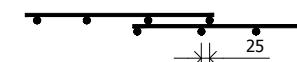
TYPICAL FIXING AND SHIM DETAIL
SCALE :- 1:20

NOTES.
CONCRETE

- CONCRETE SHALL HAVE A MIN. 28 DAY COMPRESSIVE STRENGTH OF 40MPa.
- PLACING AND CURING OF CONCRETE SHALL COMPLY WITH RMS D+C SPECIFICATION B80.
- ALL CORNERS SHALL HAVE 12mmx12mm FILLETS OR CHAMFERS - U.N.O. ON DRAWINGS.
- CONCRETE EXPOSURE CLASSIFICATION: B1 TO RMS D+C SPECIFICATION B80 UNO.
- CONCRETE MIX SHALL BE IN ACCORDANCE WITH RMS D+C SPECIFICATION B80.
- LIFTERS HDG & ALL FIXING ARE SS.

REINFORCING

- COVER: 40mm U.O.N
- ALL REINFORCEMENT SHALL COMPLY WITH AS4671 GRADE D500N (TYPICAL).
- SPACING: TO BE TAKEN AS EVEN UNLESS NOTED OTHERWISE.
- BENDING: BAR BENDING & HOOK DETAILS SHALL BE IN ACCORDANCE WITH AS5100.5.
- WHERE REBATES OR RECESSES ARE REQUIRED, MIN. CLEAR COVER TO THE REINFORCEMENT SHALL BE MAINTAINED.
- REINFORCEMENT MAY BE SHOWN DIAGRAMMATICALLY AND MAY NOT NECESSARILY BE IN TRUE PROJECTION.
- THE MINIMUM LAPPED SPLICE FOR MESH SHALL BE MADE SO THAT THE OUTERMOST CROSS BARS OF ONE SHEET OVERLAP THE TWO OUTERMOST BARS CROSS BARS OF THE SHEET BEING LAPPED AS SHOWN BELOW.



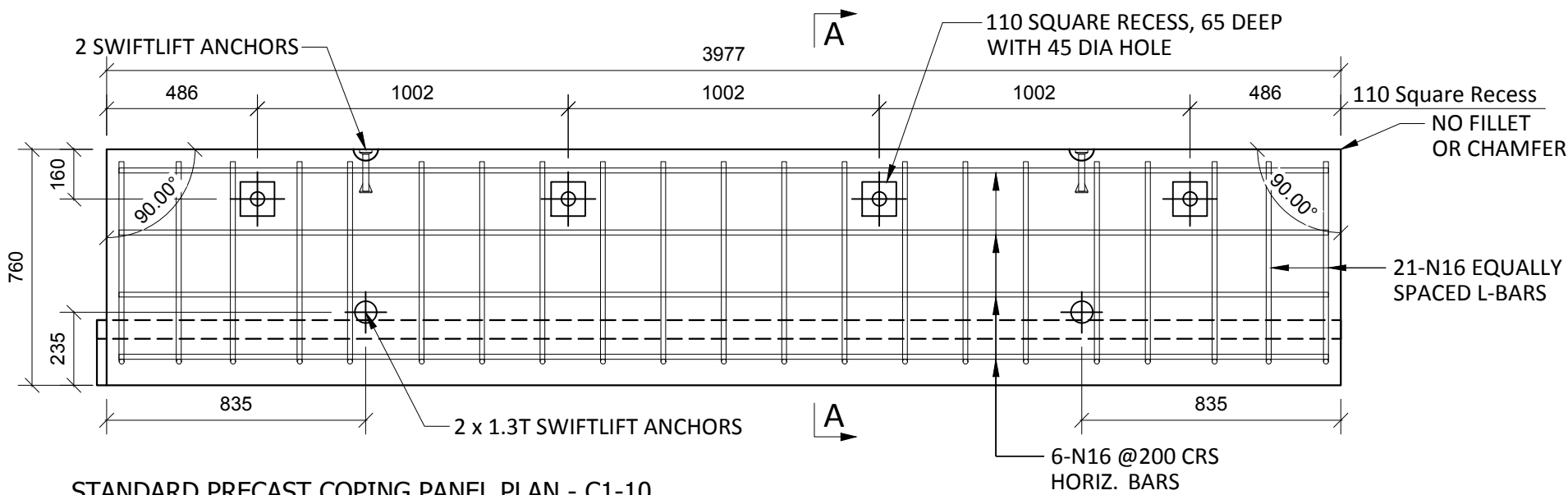
- UNLESS OTHERWISE SPECIFIED, THE MINIMUM DEVELOPMENT LENGTHS AND LENGTHS OF LAPS SHALL BE AS FOLLOWS:

BAR SIZE:	N12	N16	N20	N24
a) HORIZONTAL BARS WITH >300mm OF CONCRETE CAST BELOW THE BAR	500	700	1000	1300
b) OTHER BARS	350	550	750	1000

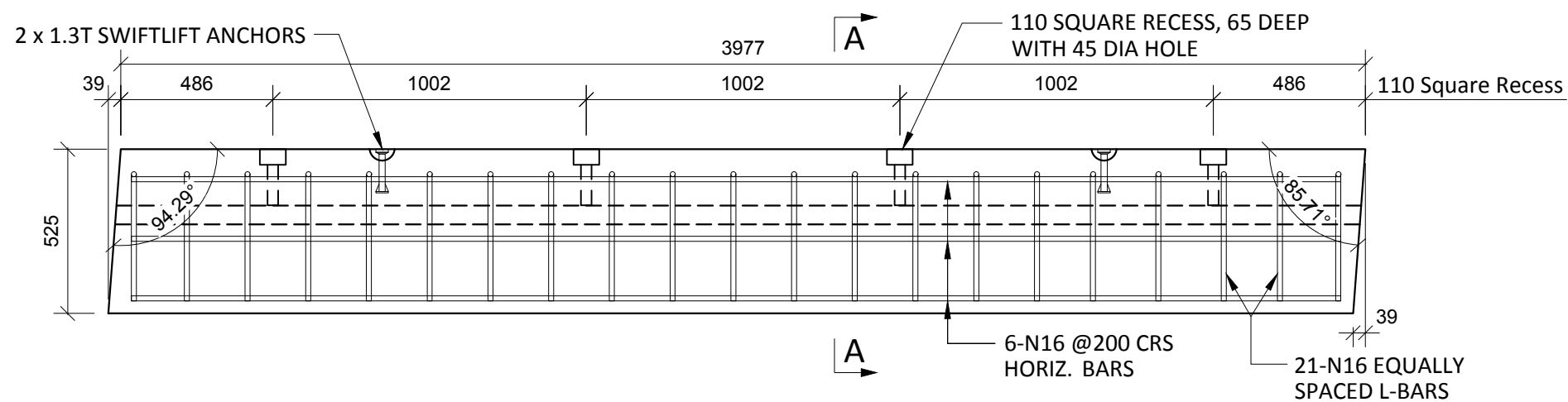
INSPECTION & TEST PLAN		
INSPECTED BY		
NAME OF FABRICATOR		
UNIT NO.		
CAST DATE		
CAST TIME		
CONCRETE DOCKET NO.		
CONCRETE SPECIF. (MPa)		
ITEM	FABRICATOR INITIAL	APPROVED Y / N
MOULD CLEANLINESS		
RELEASE OIL		
DIMENSIONS		
FORMWORK FIXED		
OPENING / REBATES CORRECT & POSITION		
HOLD POINT		
REINFORCING CORRECT		
LAPS & SPLICES CORRECT		
SPACING & COVER CORRECT		
HOLD POINT		
LIFTERS POSITIONED CORRECTLY		
CAST - IN ITEMS		
STARTERS, LACING BARS		
APPROVED FOR CASTING		
POST POUR INSPECTION		
INSPECTED BY		
DATE		
ITEM	APPROVED Y / N	
SWIFTLIFTS POSITION		
SWIFTLIFTS RECESS CLEANED		
CAST-IN ITEMS CLEANED		
CONCRETE FINISH		
LABELLED (NUMBER / DATED)		
DAMAGE (CRACKS / CHIPPING)		
CLEANLINESS		
ANY ACTION REQUIRED:		
-		
APPROVED FOR DISPATCH		
SLING ANGLE TO BE NOT LESS THAN 60° TO HORIZONTAL WHEN LIFTING		
40cvr TO ALL EDGES & FACES (UNO)		
Area (m ²)	5.11	
Vol (m ³)	0.76	
Wt. (t)	1.90	
MPa	40MPa	
FINISH	-	
NO: OFF	1	

REV.	DATE	DESCRIPTION	DRAWN	APPROVED
1	05/02/19	REVISED PANEL TO SUIT GRADE%	NG	
0	10/12/18	FOR APPROVAL	NG	

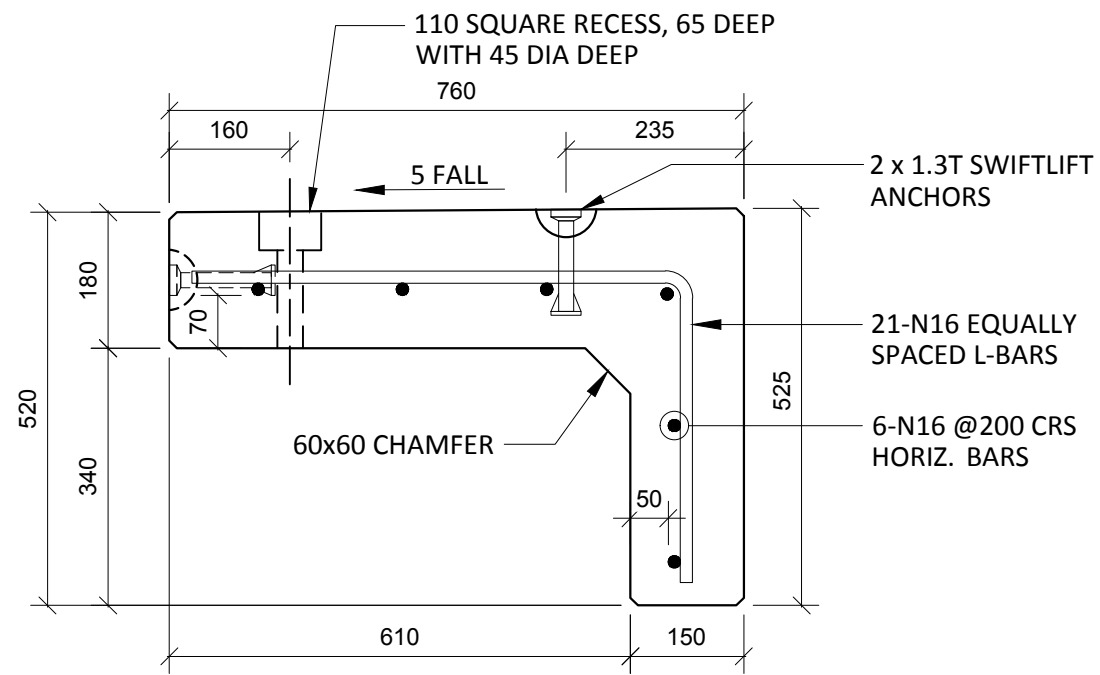
Contractor	Job	Project	Title	COPYRIGHT RESERVED	Drawn	NG	Date	10/12/18	Lot No.	163A
Designer	NORTHERN BEACHES COUNCIL NORTHERN BEACHES HOSPITAL CONNECTIVITY AND NETWORK ENHANCEMENT		ZONE 2000 - STAGE 2 2SL-01-EB PRECAST COPING PANEL C1-9		Checked	HP	Scale (A3)	1:10 1:20	P- C1-9 Dwg No.	1 REV.



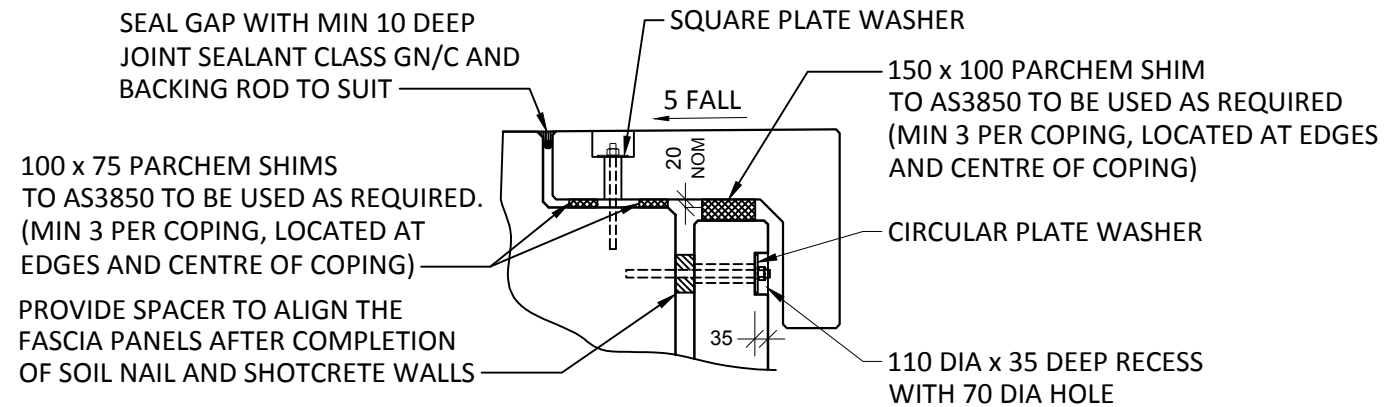
STANDARD PRECAST COPING PANEL PLAN - C1-10
SCALE :- 1:20



STANDARD PRECAST COPING PANEL ELEVATION - C1-10 150/180 THK.
SCALE :- 1:20



SECTION A-A
SCALE :- 1:10



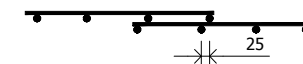
TYPICAL FIXING AND SHIM DETAIL
SCALE :- 1:20

NOTES.
CONCRETE

- CONCRETE SHALL HAVE A MIN. 28 DAY COMPRESSIVE STRENGTH OF 40MPa.
- PLACING AND CURING OF CONCRETE SHALL COMPLY WITH RMS D+C SPECIFICATION B80.
- ALL CORNERS SHALL HAVE 12mmx12mm FILLETS OR CHAMFERS - U.N.O. ON DRAWINGS.
- CONCRETE EXPOSURE CLASSIFICATION: B1 TO RMS D+C SPECIFICATION B80 UNO.
- CONCRETE MIX SHALL BE IN ACCORDANCE WITH RMS D+C SPECIFICATION B80.
- LIFTERS HDG & ALL FIXING ARE SS.

REINFORCING

- COVER: 40mm U.O.N
- ALL REINFORCEMENT SHALL COMPLY WITH AS4671 GRADE D500N (TYPICAL).
- SPACING: TO BE TAKEN AS EVEN UNLESS NOTED OTHERWISE.
- BENDING: BAR BENDING & HOOK DETAILS SHALL BE IN ACCORDANCE WITH AS5100.5.
- WHERE REBATES OR RECESSES ARE REQUIRED, MIN. CLEAR COVER TO THE REINFORCEMENT SHALL BE MAINTAINED.
- REINFORCEMENT MAY BE SHOWN DIAGRAMMATICALLY AND MAY NOT NECESSARILY BE IN TRUE PROJECTION.
- THE MINIMUM LAPPED SPLICE FOR MESH SHALL BE MADE SO THAT THE OUTERMOST CROSS BARS OF ONE SHEET OVERLAP THE TWO OUTERMOST BARS CROSS BARS OF THE SHEET BEING LAPPED AS SHOWN BELOW.



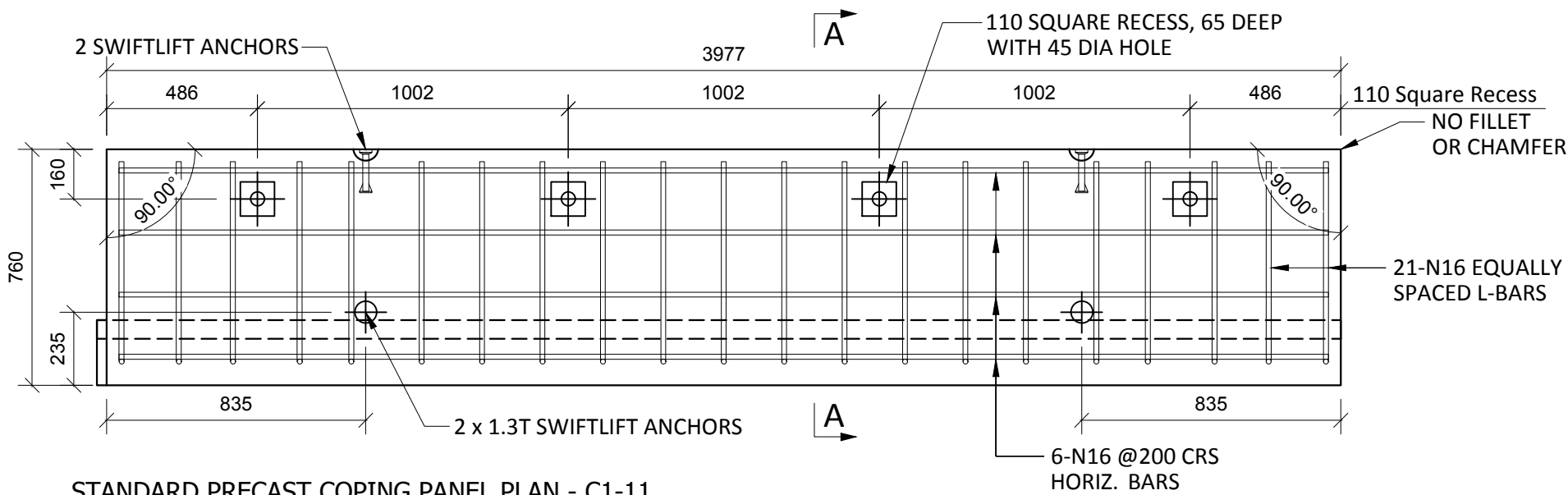
- UNLESS OTHERWISE SPECIFIED, THE MINIMUM DEVELOPMENT LENGTHS AND LENGTHS OF LAPS SHALL BE AS FOLLOWS:

BAR SIZE:	N12	N16	N20	N24
a) HORIZONTAL BARS WITH >300mm OF CONCRETE CAST BELOW THE BAR	500	700	1000	1300
b) OTHER BARS	350	550	750	1000

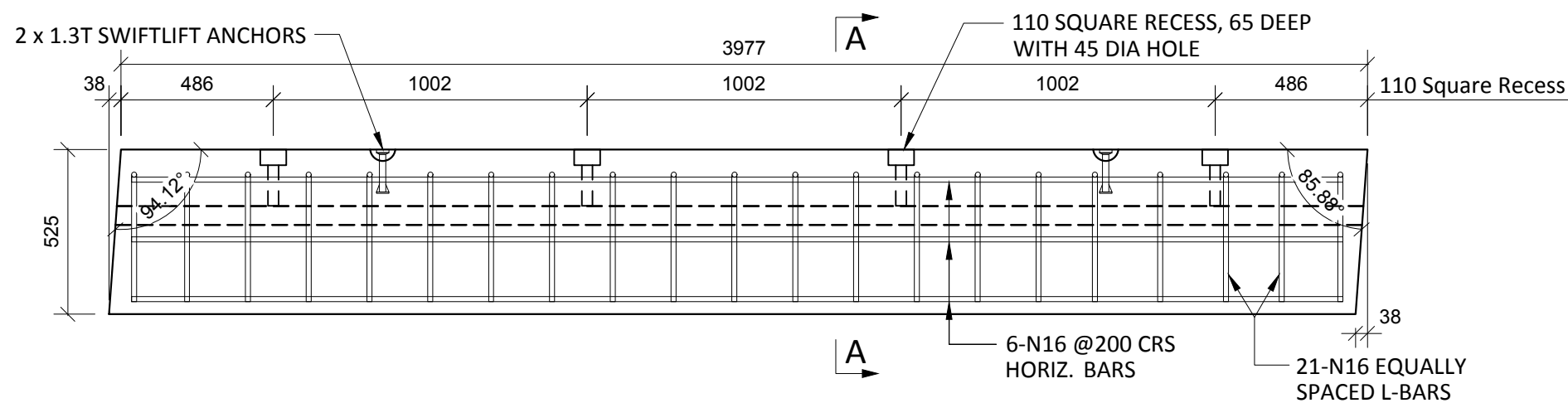
INSPECTION & TEST PLAN	
INSPECTED BY	
NAME OF FABRICATOR	
UNIT NO.	
CAST DATE	
CAST TIME	
CONCRETE DOCKET NO.	
CONCRETE SPECIF. (MPa)	
ITEM	FABRICATOR APPROVED INITIAL Y / N
MOULD CLEANLINESS	
RELEASE OIL	
DIMENSIONS	
FORMWORK FIXED	
OPENING / REBATES CORRECT & POSITION	
HOLD POINT	
REINFORCING CORRECT	
LAPS & SPLICES CORRECT	
SPACING & COVER CORRECT	
HOLD POINT	
LIFTERS POSITIONED CORRECTLY	
CAST - IN ITEMS	
STARTERS, LACING BARS	
APPROVED FOR CASTING	
POST POUR INSPECTION	
INSPECTED BY	
DATE	
ITEM	APPROVED Y / N
SWIFTLIFTS POSITION	
SWIFTLIFTS RECESS CLEANED	
CAST-IN ITEMS CLEANED	
CONCRETE FINISH	
LABELLED (NUMBER / DATED)	
DAMAGE (CRACKS / CHIPPING)	
CLEANLINESS	
ANY ACTION REQUIRED:	
-	
APPROVED FOR DISPATCH	
SLING ANGLE TO BE NOT LESS THAN 60° TO HORIZONTAL WHEN LIFTING	
40cvr TO ALL EDGES & FACES (UNO)	
Area (m ²)	5.11
Vol (m ³)	0.76
Wt. (t)	1.90
MPa	40MPa
FINISH	-
NO: OFF	1

REV.	DATE	DESCRIPTION	DRAWN	APPROVED
1	05/02/19	REVISED PANEL TO SUIT GRADE%	NG	
0	10/12/18	FOR APPROVAL	NG	

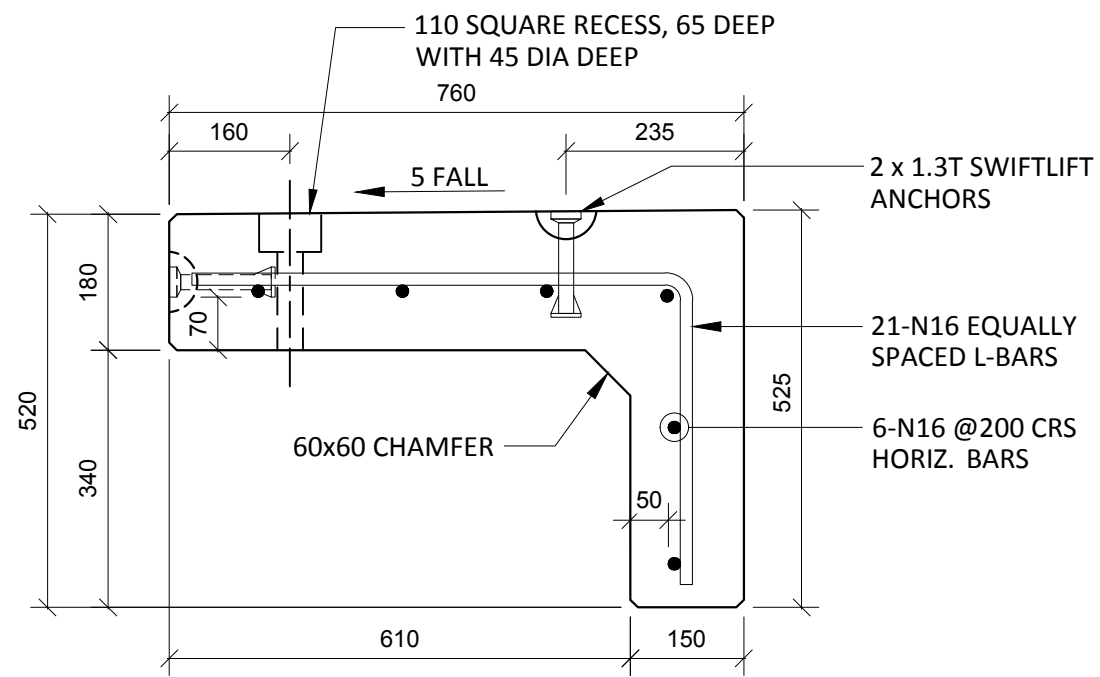
Contractor	Job	Project	Title	COPYRIGHT RESERVED	Drawn	NG	Date	10/12/18	Lot No.	163A
Designer	NORTHERN BEACHES COUNCIL NORTHERN BEACHES HOSPITAL CONNECTIVITY AND NETWORK ENHANCEMENT		ZONE 2000 - STAGE 2 2SL-01-EB PRECAST COPING PANEL C1-10		Checked	HP	Scale (A3)	1:10 1:20	P- C1-10 Dwg No.	1 REV.



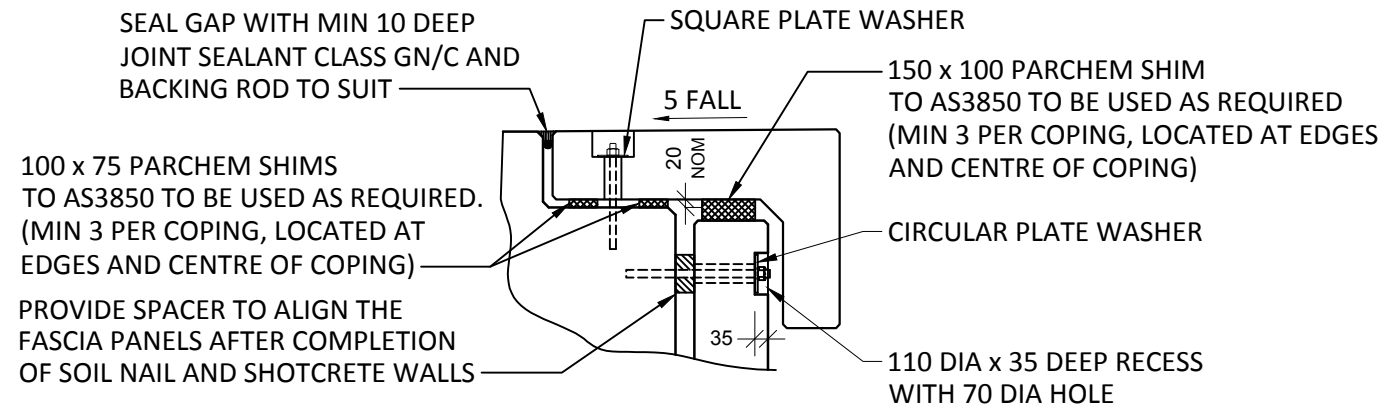
STANDARD PRECAST COPING PANEL PLAN - C1-11
SCALE :- 1:20



STANDARD PRECAST COPING PANEL ELEVATION - C1-11 150/180 THK.
SCALE :- 1:20



SECTION A-A
SCALE :- 1:10



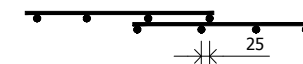
TYPICAL FIXING AND SHIM DETAIL
SCALE :- 1:20

NOTES.
CONCRETE

- CONCRETE SHALL HAVE A MIN. 28 DAY COMPRESSIVE STRENGTH OF 40MPa.
- PLACING AND CURING OF CONCRETE SHALL COMPLY WITH RMS D+C SPECIFICATION B80.
- ALL CORNERS SHALL HAVE 12mmx12mm FILLETS OR CHAMFERS - U.N.O. ON DRAWINGS.
- CONCRETE EXPOSURE CLASSIFICATION: B1 TO RMS D+C SPECIFICATION B80 UNO.
- CONCRETE MIX SHALL BE IN ACCORDANCE WITH RMS D+C SPECIFICATION B80.
- LIFTERS HDG & ALL FIXING ARE SS.

REINFORCING

- COVER: 40mm U.O.N
- ALL REINFORCEMENT SHALL COMPLY WITH AS4671 GRADE D500N (TYPICAL).
- SPACING: TO BE TAKEN AS EVEN UNLESS NOTED OTHERWISE.
- BENDING: BAR BENDING & HOOK DETAILS SHALL BE IN ACCORDANCE WITH AS5100.5.
- WHERE REBATES OR RECESSES ARE REQUIRED, MIN. CLEAR COVER TO THE REINFORCEMENT SHALL BE MAINTAINED.
- REINFORCEMENT MAY BE SHOWN DIAGRAMMATICALLY AND MAY NOT NECESSARILY BE IN TRUE PROJECTION.
- THE MINIMUM LAPPED SPLICE FOR MESH SHALL BE MADE SO THAT THE OUTERMOST CROSS BARS OF ONE SHEET OVERLAP THE TWO OUTERMOST BARS CROSS BARS OF THE SHEET BEING LAPPED AS SHOWN BELOW.



- UNLESS OTHERWISE SPECIFIED, THE MINIMUM DEVELOPMENT LENGTHS AND LENGTHS OF LAPS SHALL BE AS FOLLOWS:

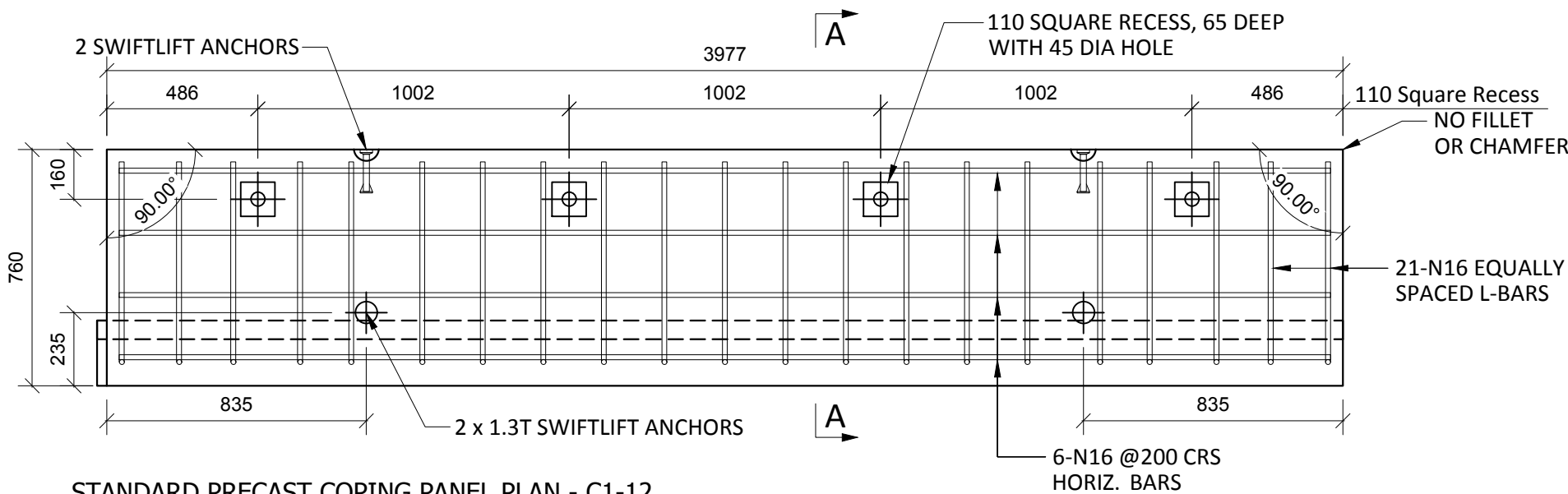
BAR SIZE:	N12	N16	N20	N24
a) HORIZONTAL BARS WITH >300mm OF CONCRETE CAST BELOW THE BAR	500	700	1000	1300
b) OTHER BARS	350	550	750	1000

INSPECTION & TEST PLAN		
INSPECTED BY		
NAME OF FABRICATOR		
UNIT NO.		
CAST DATE		
CAST TIME		
CONCRETE DOCKET NO.		
CONCRETE SPECIF. (MPa)		
ITEM	FABRICATOR INITIAL	APPROVED Y / N
MOULD CLEANLINESS		
RELEASE OIL		
DIMENSIONS		
FORMWORK FIXED		
OPENING / REBATES CORRECT & POSITION		
HOLD POINT		
REINFORCING CORRECT		
LAPS & SPLICES CORRECT		
SPACING & COVER CORRECT		
HOLD POINT		
LIFTERS POSITIONED CORRECTLY		
CAST - IN ITEMS		
STARTERS, LACING BARS		
APPROVED FOR CASTING		
POST POUR INSPECTION		
INSPECTED BY		
DATE		
ITEM	APPROVED Y / N	
SWIFTLIFTS POSITION		
SWIFTLIFTS RECESS CLEANED		
CAST-IN ITEMS CLEANED		
CONCRETE FINISH		
LABELLED (NUMBER / DATED)		
DAMAGE (CRACKS / CHIPPING)		
CLEANLINESS		
ANY ACTION REQUIRED:		
APPROVED FOR DISPATCH		
SLING ANGLE TO BE NOT LESS THAN 60° TO HORIZONTAL WHEN LIFTING		
40cvr TO ALL EDGES & FACES (UNO)		
Area (m ²)	5.11	
Vol (m ³)	0.76	
Wt. (t)	1.90	
MPa	40MPa	
FINISH		
NO: OFF	1	

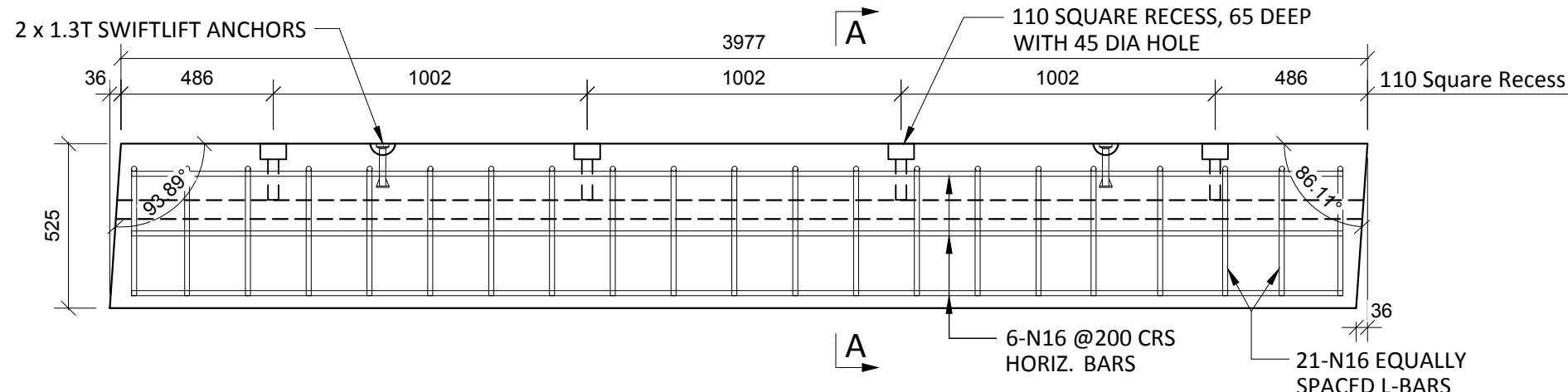
REV.	DATE	DESCRIPTION	DRAWN	APPROVED
1	05/02/19	REVISED PANEL TO SUIT GRADE%	NG	
0	10/12/18	FOR APPROVAL	NG	

Contractor	Job	Project	Title	DRAWN	NG	Date	10/12/18	Lot No.	163A
Designer	NORTHERN BEACHES COUNCIL NORTHERN BEACHES HOSPITAL CONNECTIVITY AND NETWORK ENHANCEMENT		ZONE 2000 - STAGE 2 2SL-01-EB PRECAST COPING PANEL C1-11						
				Checked	HP	Scale (A3)	1:10 1:20	P- C1-11	1
								Dwg No.	REV.

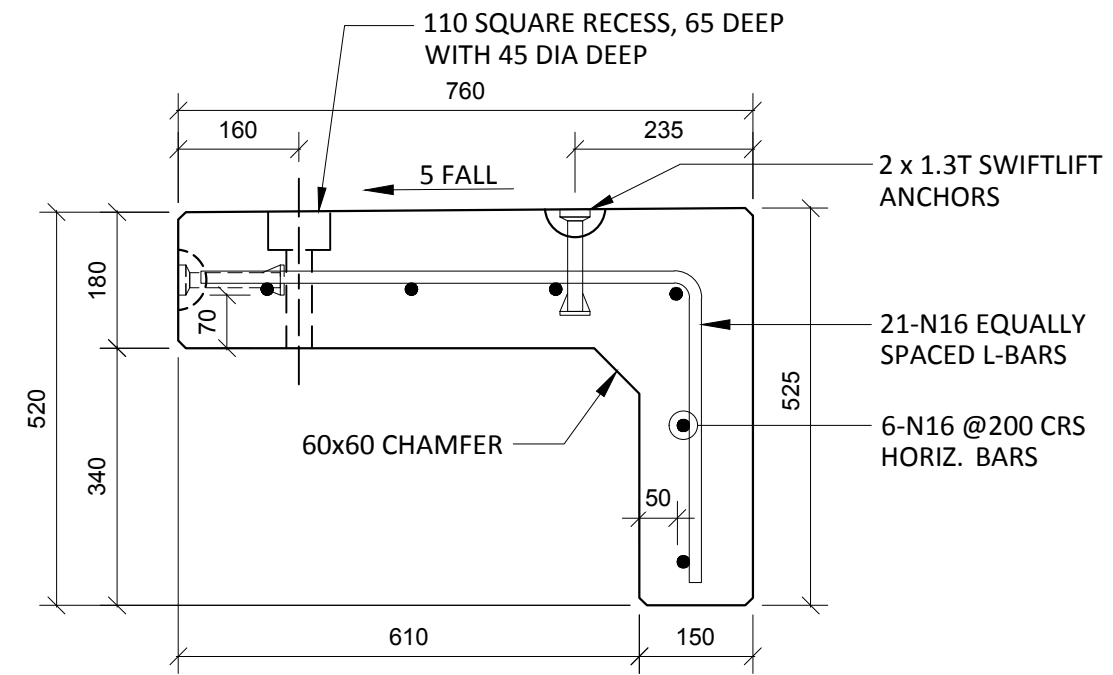
COPYRIGHT RESERVED



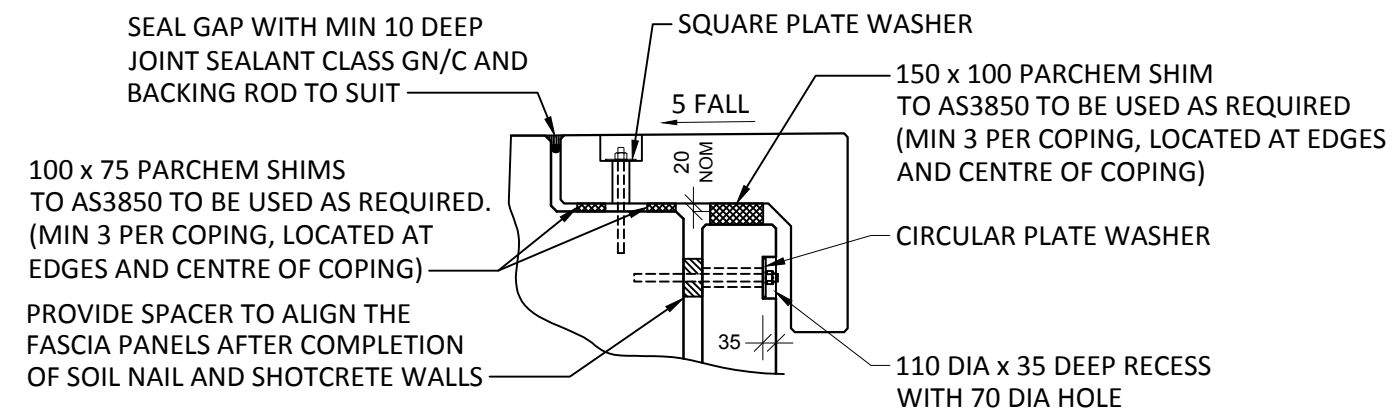
STANDARD PRECAST COPING PANEL PLAN - C1-12
SCALE :- 1:20



STANDARD PRECAST COPING PANEL ELEVATION - C1-12 150/180 THK.
SCALE :- 1:20



SECTION A-A
SCALE :- 1:10



TYPICAL FIXING AND SHIM DETAIL
SCALE :- 1:20

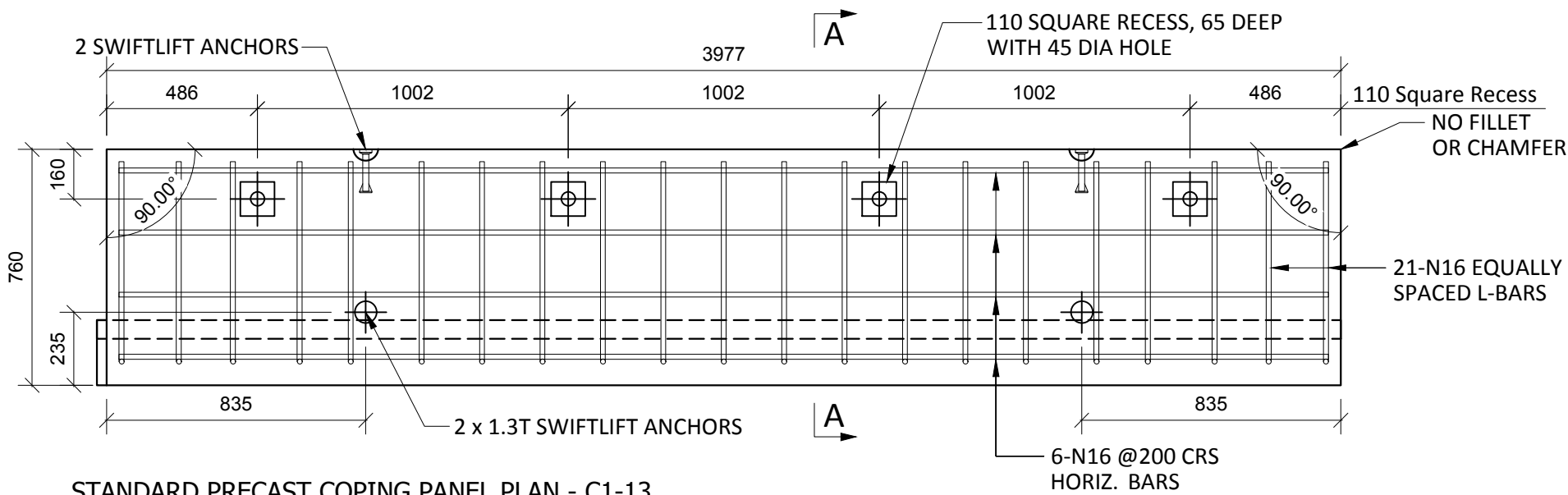
- NOTES.**
CONCRETE
- CONCRETE SHALL HAVE A MIN. 28 DAY COMPRESSIVE STRENGTH OF 40MPa.
 - PLACING AND CURING OF CONCRETE SHALL COMPLY WITH RMS D+C SPECIFICATION B80.
 - ALL CORNERS SHALL HAVE 12mmx12mm FILLETS OR CHAMFERS - U.N.O. ON DRAWINGS.
 - CONCRETE EXPOSURE CLASSIFICATION: B1 TO RMS D+C SPECIFICATION B80 UNO.
 - CONCRETE MIX SHALL BE IN ACCORDANCE WITH RMS D+C SPECIFICATION B80.
 - LIFTERS HDG & ALL FIXING ARE SS.
- REINFORCING**
- COVER: 40mm U.O.N
 - ALL REINFORCEMENT SHALL COMPLY WITH AS4671 GRADE D500N (TYPICAL).
 - SPACING: TO BE TAKEN AS EVEN UNLESS NOTED OTHERWISE.
 - BENDING: BAR BENDING & HOOK DETAILS SHALL BE IN ACCORDANCE WITH AS5100.5.
 - WHERE REBATES OR RECESSES ARE REQUIRED, MIN. CLEAR COVER TO THE REINFORCEMENT SHALL BE MAINTAINED.
 - REINFORCEMENT MAY BE SHOWN DIAGRAMMATICALLY AND MAY NOT NECESSARILY BE IN TRUE PROJECTION.
 - THE MINIMUM LAPPED SPLICE FOR MESH SHALL BE MADE SO THAT THE OUTERMOST CROSS BARS OF ONE SHEET OVERLAP THE TWO OUTERMOST BARS CROSS BARS OF THE SHEET BEING LAPPED AS SHOWN BELOW.

BAR SIZE:	N12	N16	N20	N24
a) HORIZONTAL BARS WITH >300mm OF CONCRETE CAST BELOW THE BAR	500	700	1000	1300
b) OTHER BARS	350	550	750	1000

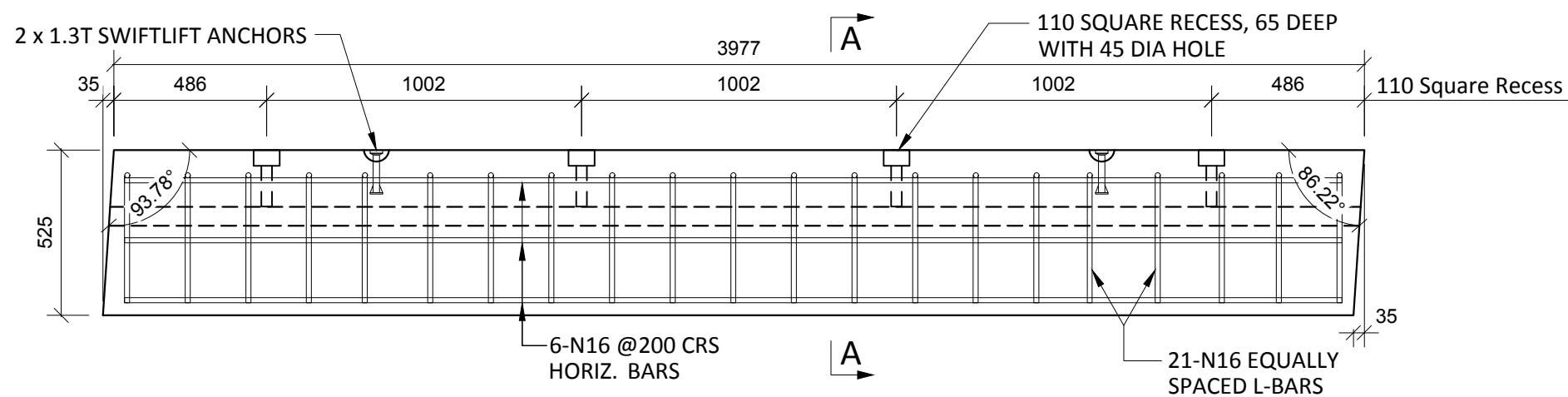
INSPECTION & TEST PLAN		
INSPECTED BY		
NAME OF FABRICATOR		
UNIT NO.		
CAST DATE		
CAST TIME		
CONCRETE DOCKET NO.		
CONCRETE SPECIF. (MPa)		
ITEM	FABRICATOR INITIAL	APPROVED Y/N
MOULD CLEANLINESS		
RELEASE OIL		
DIMENSIONS		
FORMWORK FIXED		
OPENING / REBATES CORRECT & POSITION		
HOLD POINT		
REINFORCING CORRECT		
LAPS & SPLICES CORRECT		
SPACING & COVER CORRECT		
HOLD POINT		
LIFTERS POSITIONED CORRECTLY		
CAST - IN ITEMS		
STARTERS, LACING BARS		
APPROVED FOR CASTING		
POST POUR INSPECTION		
INSPECTED BY		
DATE		
ITEM		APPROVED Y/N
SWIFTLIFTS POSITION		
SWIFTLIFTS RECESS CLEANED		
CAST-IN ITEMS CLEANED		
CONCRETE FINISH		
LABELLED (NUMBER / DATED)		
DAMAGE (CRACKS / CHIPPING)		
CLEANLINESS		
ANY ACTION REQUIRED:		
-		
APPROVED FOR DISPATCH		
SLING ANGLE TO BE NOT LESS THAN 60° TO HORIZONTAL WHEN LIFTING		
40cvr TO ALL EDGES & FACES (UNO)		
Area (m ²)	5.11	
Vol (m ³)	0.76	
Wt. (t)	1.90	
MPa	40MPa	
FINISH	-	
NO: OFF	1	

REV.	DATE	DESCRIPTION	DRAWN	APPROVED
1	05/02/19	REVISED PANEL TO SUIT GRADE%	NG	
0	10/12/18	FOR APPROVAL	NG	

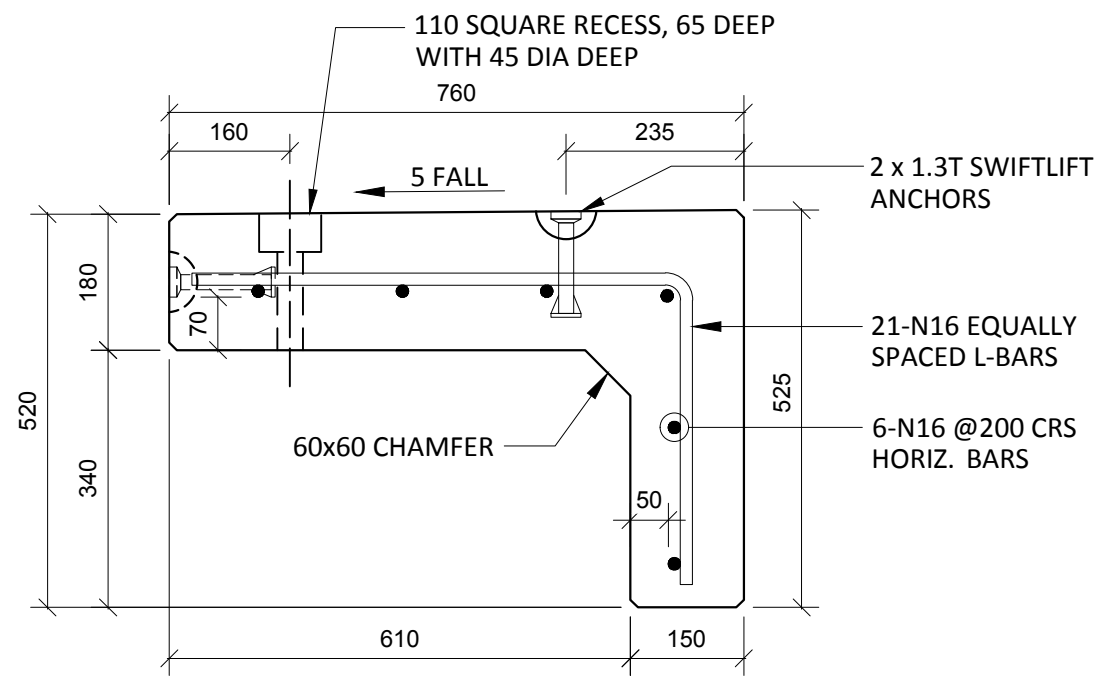
Contractor	Job	Project	Title	COPYRIGHT RESERVED	Drawn	NG	Date	10/12/18	Lot No.	163A
Designer	NORTHERN BEACHES COUNCIL NORTHERN BEACHES HOSPITAL CONNECTIVITY AND NETWORK ENHANCEMENT		ZONE 2000 - STAGE 2 2SL-01-EB PRECAST COPING PANEL C1-12		Checked	HP	Scale (A3)	1:10 1:20	P- C1-12 Dwg No.	1 REV.



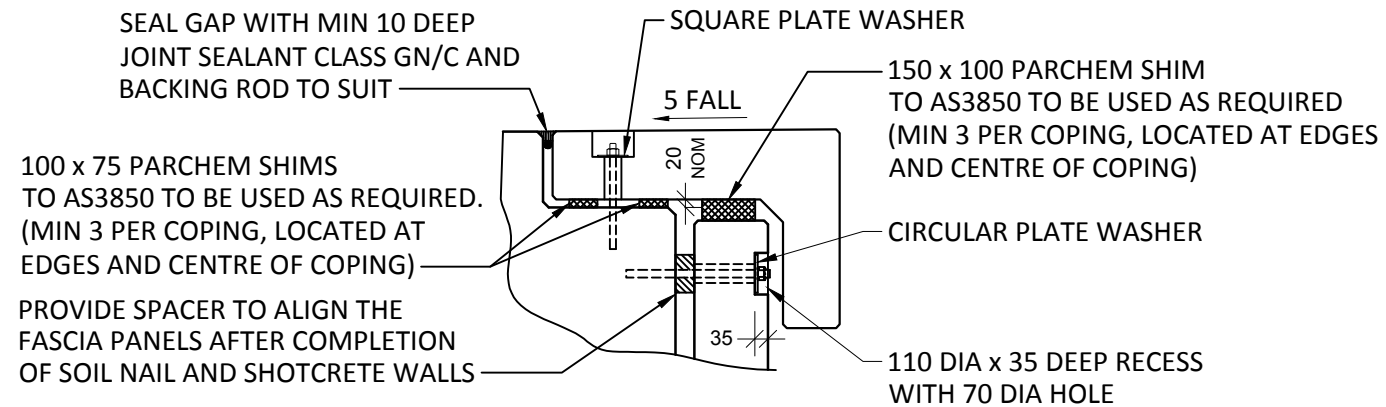
STANDARD PRECAST COPING PANEL PLAN - C1-13
SCALE :- 1:20



STANDARD PRECAST COPING PANEL ELEVATION - C1-13 150/180 THK.
SCALE :- 1:20



SECTION A-A
SCALE :- 1:10



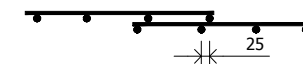
TYPICAL FIXING AND SHIM DETAIL
SCALE :- 1:20

NOTES.
CONCRETE

- CONCRETE SHALL HAVE A MIN. 28 DAY COMPRESSIVE STRENGTH OF 40MPa.
- PLACING AND CURING OF CONCRETE SHALL COMPLY WITH RMS D+C SPECIFICATION B80.
- ALL CORNERS SHALL HAVE 12mmx12mm FILLETS OR CHAMFERS - U.N.O. ON DRAWINGS.
- CONCRETE EXPOSURE CLASSIFICATION: B1 TO RMS D+C SPECIFICATION B80 UNO.
- CONCRETE MIX SHALL BE IN ACCORDANCE WITH RMS D+C SPECIFICATION B80.
- LIFTERS HDG & ALL FIXING ARE SS.

REINFORCING

- COVER: 40mm U.O.N
- ALL REINFORCEMENT SHALL COMPLY WITH AS4671 GRADE D500N (TYPICAL).
- SPACING: TO BE TAKEN AS EVEN UNLESS NOTED OTHERWISE.
- BENDING: BAR BENDING & HOOK DETAILS SHALL BE IN ACCORDANCE WITH AS5100.5.
- WHERE REBATES OR RECESSES ARE REQUIRED, MIN. CLEAR COVER TO THE REINFORCEMENT SHALL BE MAINTAINED.
- REINFORCEMENT MAY BE SHOWN DIAGRAMMATICALLY AND MAY NOT NECESSARILY BE IN TRUE PROJECTION.
- THE MINIMUM LAPPED SPLICE FOR MESH SHALL BE MADE SO THAT THE OUTERMOST CROSS BARS OF ONE SHEET OVERLAP THE TWO OUTERMOST BARS CROSS BARS OF THE SHEET BEING LAPPED AS SHOWN BELOW.



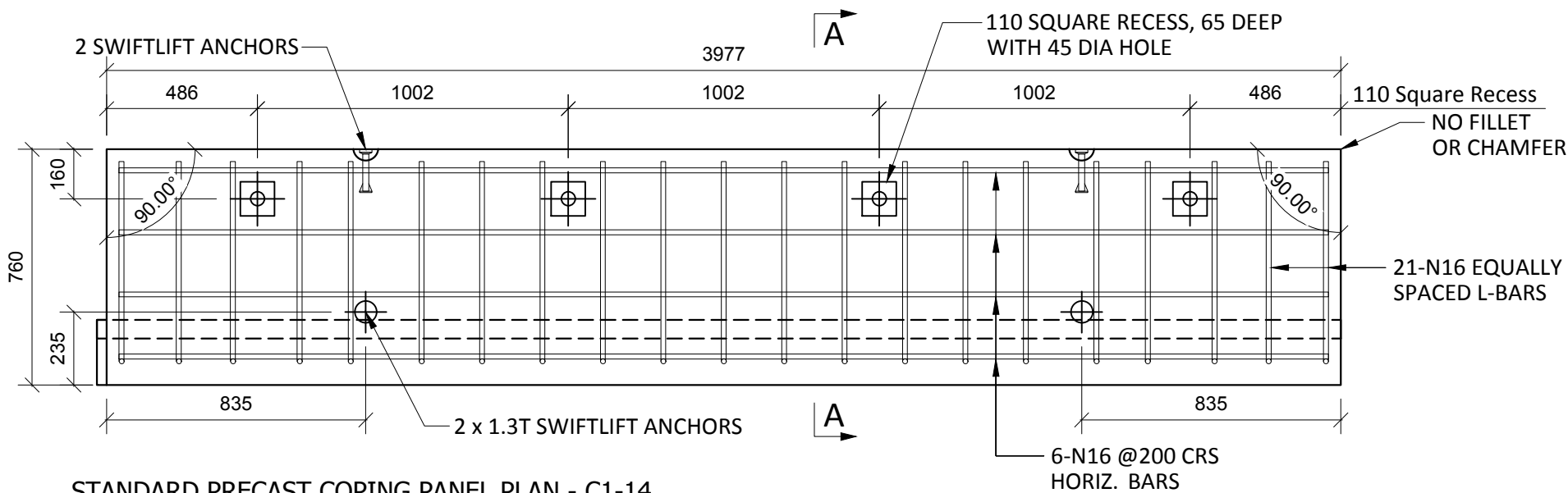
- UNLESS OTHERWISE SPECIFIED, THE MINIMUM DEVELOPMENT LENGTHS AND LENGTHS OF LAPS SHALL BE AS FOLLOWS:

BAR SIZE:	N12	N16	N20	N24
a) HORIZONTAL BARS WITH >300mm OF CONCRETE CAST BELOW THE BAR	500	700	1000	1300
b) OTHER BARS	350	550	750	1000

INSPECTION & TEST PLAN	
INSPECTED BY	
NAME OF FABRICATOR	
UNIT NO.	
CAST DATE	
CAST TIME	
CONCRETE DOCKET NO.	
CONCRETE SPECIF. (MPa)	
ITEM	FABRICATOR APPROVED INITIAL Y / N
MOULD CLEANLINESS	
RELEASE OIL	
DIMENSIONS	
FORMWORK FIXED	
OPENING / REBATES CORRECT & POSITION	
HOLD POINT	
REINFORCING CORRECT	
LAPS & SPLICES CORRECT	
SPACING & COVER CORRECT	
HOLD POINT	
LIFTERS POSITIONED CORRECTLY	
CAST - IN ITEMS	
STARTERS, LACING BARS	
APPROVED FOR CASTING	
POST POUR INSPECTION	
INSPECTED BY	
DATE	
ITEM	APPROVED Y / N
SWIFTLIFTS POSITION	
SWIFTLIFTS RECESS CLEANED	
CAST-IN ITEMS CLEANED	
CONCRETE FINISH	
LABELLED (NUMBER / DATED)	
DAMAGE (CRACKS / CHIPPING)	
CLEANLINESS	
ANY ACTION REQUIRED:	
APPROVED FOR DISPATCH	
SLING ANGLE TO BE NOT LESS THAN 60° TO HORIZONTAL WHEN LIFTING	
40cvr TO ALL EDGES & FACES (UNO)	
Area (m ²)	5.11
Vol (m ³)	0.76
Wt. (t)	1.90
MPa	40MPa
FINISH	-
NO: OFF	1

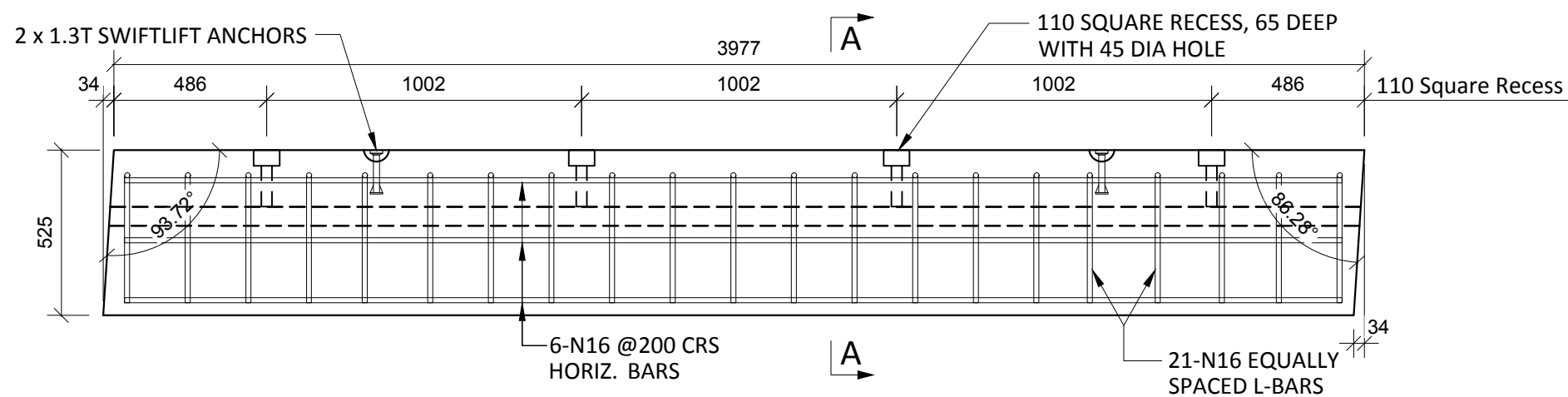
REV.	DATE	DESCRIPTION	DRAWN	APPROVED
1	05/02/19	REVISED PANEL TO SUIT GRADE%	NG	
0	10/12/18	FOR APPROVAL	NG	

Contractor	Job	Project	Title	COPYRIGHT RESERVED	Drawn	NG	Date	10/12/18	Lot No.	163A
Designer	NORTHERN BEACHES COUNCIL NORTHERN BEACHES HOSPITAL CONNECTIVITY AND NETWORK ENHANCEMENT		ZONE 2000 - STAGE 2 2SL-01-EB PRECAST COPING PANEL C1-13		Checked	HP	Scale (A3)	1:10 1:20	P- C1-13 Dwg No.	1 REV.



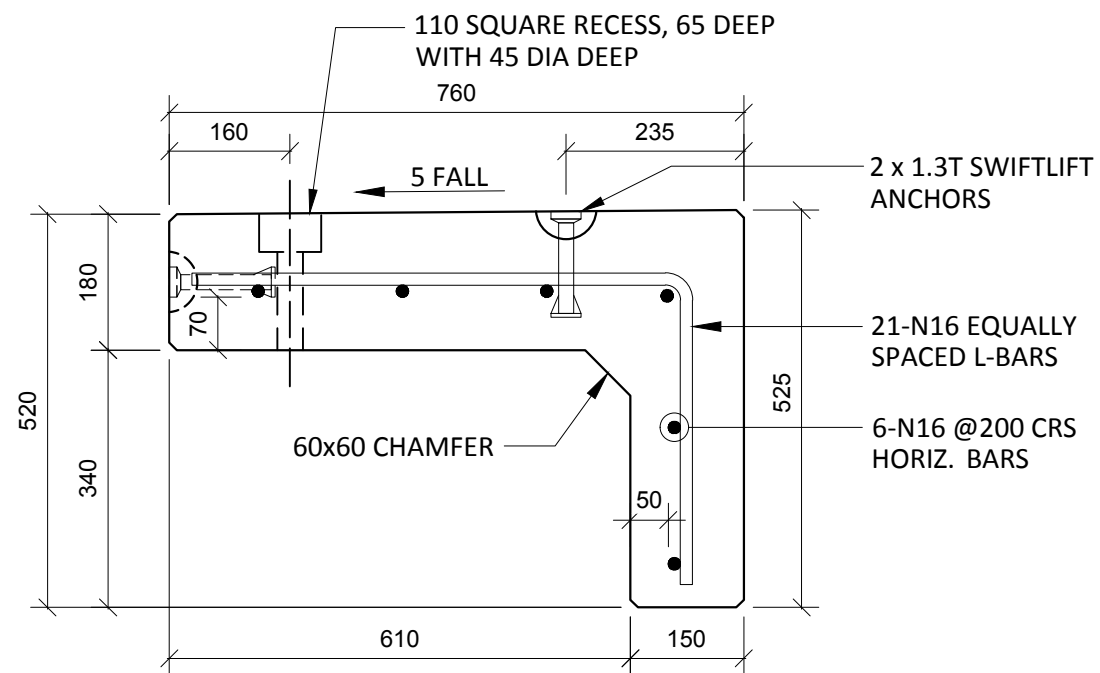
STANDARD PRECAST COPING PANEL PLAN - C1-14

SCALE :- 1:20



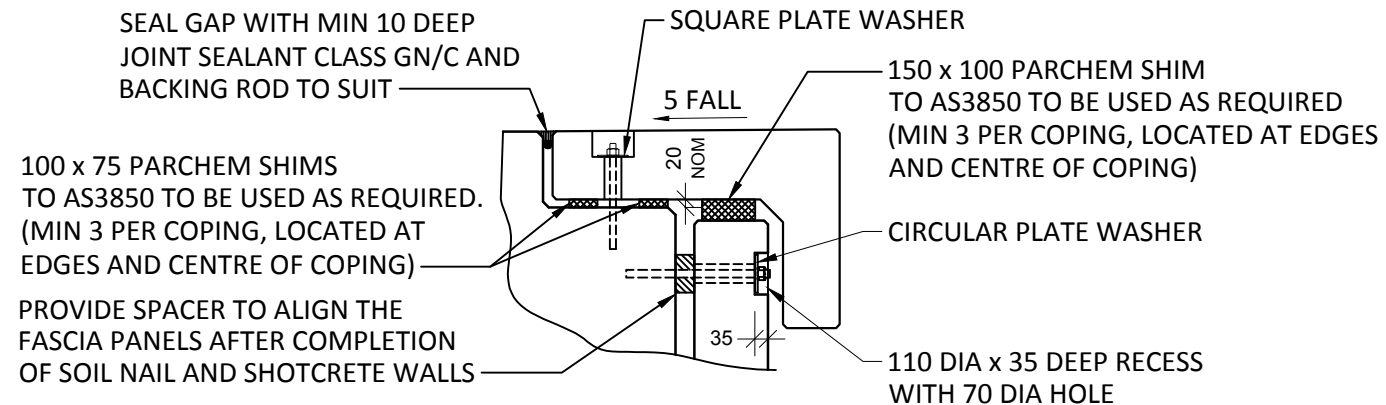
STANDARD PRECAST COPING PANEL ELEVATION - C1-14 150/180 THK.

SCALE :- 1:20



SECTION A-A

SCALE :- 1:10



TYPICAL FIXING AND SHIM DETAIL

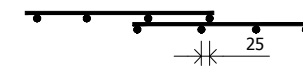
SCALE :- 1:20

NOTES.
CONCRETE

1. CONCRETE SHALL HAVE A MIN. 28 DAY COMPRESSIVE STRENGTH OF 40MPa.
2. PLACING AND CURING OF CONCRETE SHALL COMPLY WITH RMS D+C SPECIFICATION B80.
3. ALL CORNERS SHALL HAVE 12mmx12mm FILLETS OR CHAMFERS - U.N.O. ON DRAWINGS.
4. CONCRETE EXPOSURE CLASSIFICATION: B1 TO RMS D+C SPECIFICATION B80 UNO.
5. CONCRETE MIX SHALL BE IN ACCORDANCE WITH RMS D+C SPECIFICATION B80.
6. LIFTERS HDG & ALL FIXING ARE SS.

REINFORCING

7. COVER: 40mm U.O.N
8. ALL REINFORCEMENT SHALL COMPLY WITH AS4671 GRADE D500N (TYPICAL).
9. SPACING: TO BE TAKEN AS EVEN UNLESS NOTED OTHERWISE.
10. BENDING: BAR BENDING & HOOK DETAILS SHALL BE IN ACCORDANCE WITH AS5100.5.
11. WHERE REBATES OR RECESSES ARE REQUIRED, MIN. CLEAR COVER TO THE REINFORCEMENT SHALL BE MAINTAINED.
12. REINFORCEMENT MAY BE SHOWN DIAGRAMMATICALLY AND MAY NOT NECESSARILY BE IN TRUE PROJECTION.
13. THE MINIMUM LAPPED SPLICE FOR MESH SHALL BE MADE SO THAT THE OUTERMOST CROSS BARS OF ONE SHEET OVERLAP THE TWO OUTERMOST BARS CROSS BARS OF THE SHEET BEING LAPPED AS SHOWN BELOW.



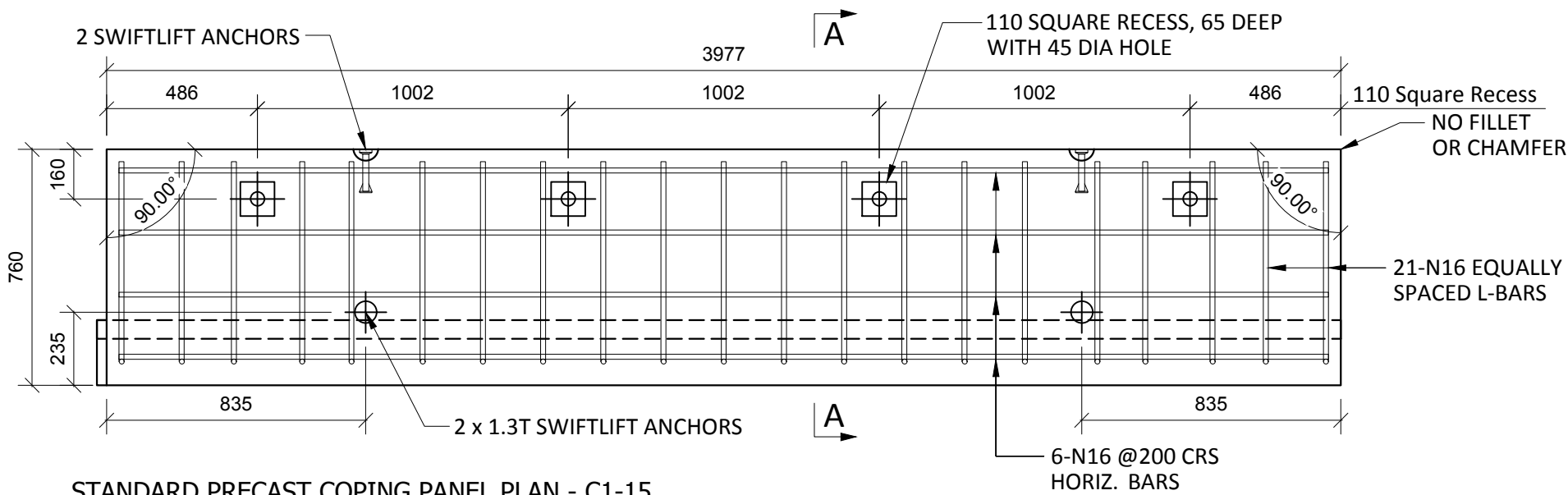
14. UNLESS OTHERWISE SPECIFIED, THE MINIMUM DEVELOPMENT LENGTHS AND LENGTHS OF LAPS SHALL BE AS FOLLOWS:

BAR SIZE:	N12	N16	N20	N24
a) HORIZONTAL BARS WITH >300mm OF CONCRETE CAST BELOW THE BAR	500	700	1000	1300
b) OTHER BARS	350	550	750	1000

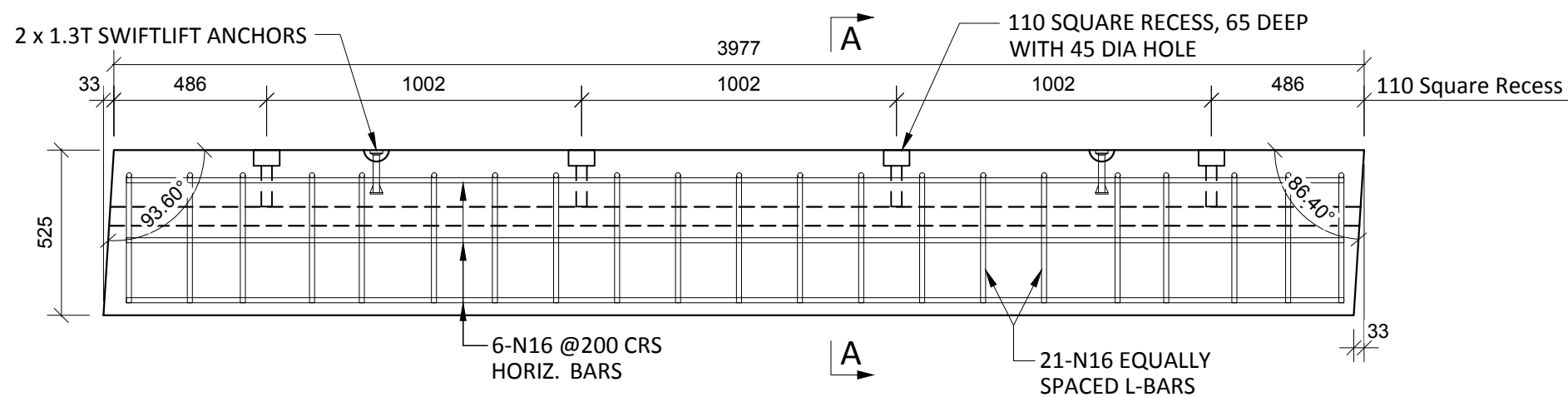
INSPECTION & TEST PLAN		
INSPECTED BY		
NAME OF FABRICATOR		
UNIT NO.		
CAST DATE		
CAST TIME		
CONCRETE DOCKET NO.		
CONCRETE SPECIF. (MPa)		
ITEM	FABRICATOR INITIAL	APPROVED Y / N
MOULD CLEANLINESS		
RELEASE OIL		
DIMENSIONS		
FORMWORK FIXED		
OPENING / REBATES CORRECT & POSITION		
HOLD POINT		
REINFORCING CORRECT		
LAPS & SPLICES CORRECT		
SPACING & COVER CORRECT		
HOLD POINT		
LIFTERS POSITIONED CORRECTLY		
CAST - IN ITEMS		
STARTERS, LACING BARS		
APPROVED FOR CASTING		
POST POUR INSPECTION		
INSPECTED BY		
DATE		
ITEM	APPROVED Y / N	
SWIFTLIFTS POSITION		
SWIFTLIFTS RECESS CLEANED		
CAST-IN ITEMS CLEANED		
CONCRETE FINISH		
LABELLED (NUMBER / DATED)		
DAMAGE (CRACKS / CHIPPING)		
CLEANLINESS		
ANY ACTION REQUIRED:		
-		
APPROVED FOR DISPATCH		
SLING ANGLE TO BE NOT LESS THAN 60° TO HORIZONTAL WHEN LIFTING		
40cvr TO ALL EDGES & FACES (UNO)		
Area (m ²)	5.11	
Vol (m ³)	0.76	
Wt. (t)	1.90	
MPa	40MPa	
FINISH	-	
NO: OFF	1	

REV.	DATE	DESCRIPTION	DRAWN	APPROVED
1	05/02/19	REVISED PANEL TO SUIT GRADE%	NG	
0	10/12/18	FOR APPROVAL	NG	

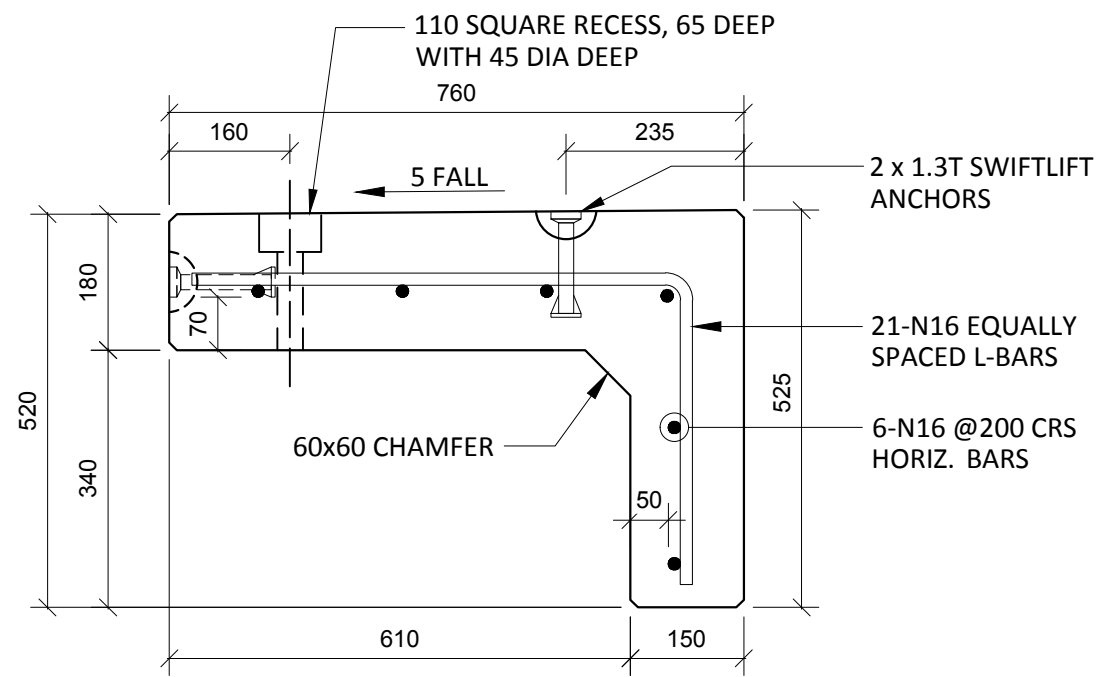
Contractor	Job	Project	Title	COPYRIGHT RESERVED	Drawn	NG	Date	10/12/18	Lot No. 163A
Designer	NORTHERN BEACHES COUNCIL NORTHERN BEACHES HOSPITAL CONNECTIVITY AND NETWORK ENHANCEMENT		ZONE 2000 - STAGE 2 2SL-01-EB PRECAST COPING PANEL C1-14		Checked	HP	Scale (A3)	1:10 1:20	



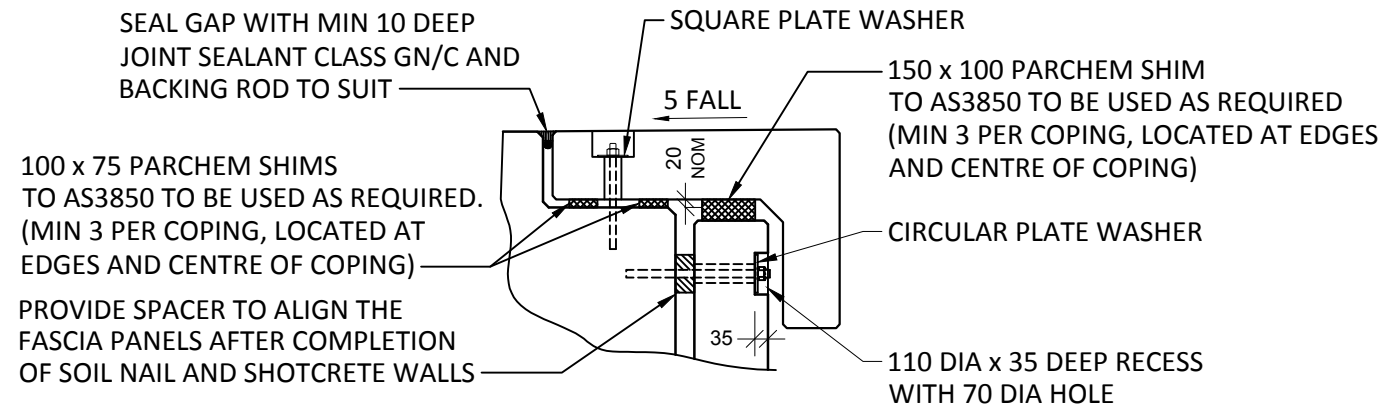
STANDARD PRECAST COPING PANEL PLAN - C1-15
SCALE :- 1:20



STANDARD PRECAST COPING PANEL ELEVATION - C1-15 150/180 THK.
SCALE :- 1:20



SECTION A-A
SCALE :- 1:10



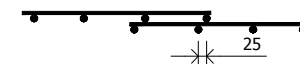
TYPICAL FIXING AND SHIM DETAIL
SCALE :- 1:20

NOTES.
CONCRETE

- CONCRETE SHALL HAVE A MIN. 28 DAY COMPRESSIVE STRENGTH OF 40MPa.
- PLACING AND CURING OF CONCRETE SHALL COMPLY WITH RMS D+C SPECIFICATION B80.
- ALL CORNERS SHALL HAVE 12mmx12mm FILLETS OR CHAMFERS - U.N.O. ON DRAWINGS.
- CONCRETE EXPOSURE CLASSIFICATION: B1 TO RMS D+C SPECIFICATION B80 UNO.
- CONCRETE MIX SHALL BE IN ACCORDANCE WITH RMS D+C SPECIFICATION B80.
- LIFTERS HDG & ALL FIXING ARE SS.

REINFORCING

- COVER: 40mm U.O.N
- ALL REINFORCEMENT SHALL COMPLY WITH AS4671 GRADE D500N (TYPICAL).
- SPACING: TO BE TAKEN AS EVEN UNLESS NOTED OTHERWISE.
- BENDING: BAR BENDING & HOOK DETAILS SHALL BE IN ACCORDANCE WITH AS5100.5.
- WHERE REBATES OR RECESSES ARE REQUIRED, MIN. CLEAR COVER TO THE REINFORCEMENT SHALL BE MAINTAINED.
- REINFORCEMENT MAY BE SHOWN DIAGRAMMATICALLY AND MAY NOT NECESSARILY BE IN TRUE PROJECTION.
- THE MINIMUM LAPPED SPLICE FOR MESH SHALL BE MADE SO THAT THE OUTERMOST CROSS BARS OF ONE SHEET OVERLAP THE TWO OUTERMOST BARS CROSS BARS OF THE SHEET BEING LAPPED AS SHOWN BELOW.



- UNLESS OTHERWISE SPECIFIED, THE MINIMUM DEVELOPMENT LENGTHS AND LENGTHS OF LAPS SHALL BE AS FOLLOWS:

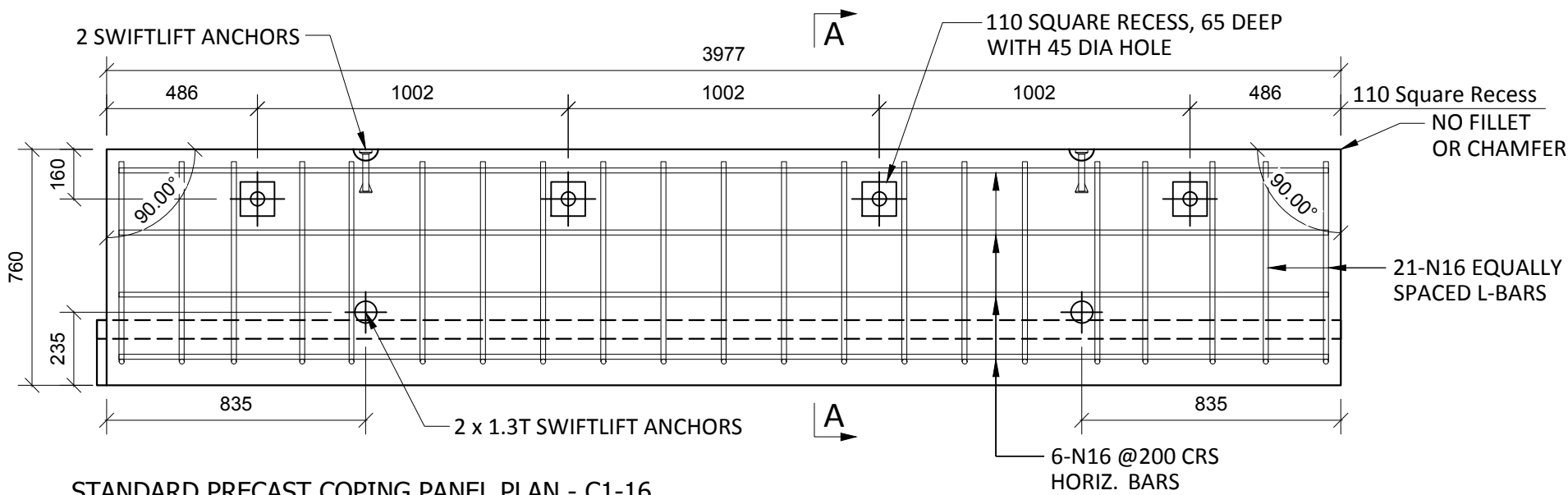
BAR SIZE:	N12	N16	N20	N24
a) HORIZONTAL BARS WITH >300mm OF CONCRETE CAST BELOW THE BAR	500	700	1000	1300
b) OTHER BARS	350	550	750	1000

INSPECTION & TEST PLAN	
INSPECTED BY	
NAME OF FABRICATOR	
UNIT NO.	
CAST DATE	
CAST TIME	
CONCRETE DOCKET NO.	
CONCRETE SPECIF. (MPa)	
ITEM	FABRICATOR APPROVED INITIAL Y / N
MOULD CLEANLINESS	
RELEASE OIL	
DIMENSIONS	
FORMWORK FIXED	
OPENING / REBATES CORRECT & POSITION	
HOLD POINT	
REINFORCING CORRECT	
LAPS & SPLICES CORRECT	
SPACING & COVER CORRECT	
HOLD POINT	
LIFTERS POSITIONED CORRECTLY	
CAST - IN ITEMS	
STARTERS, LACING BARS	
APPROVED FOR CASTING	
POST POUR INSPECTION	
INSPECTED BY	
DATE	
ITEM	APPROVED Y / N
SWIFTLIFTS POSITION	
SWIFTLIFTS RECESS CLEANED	
CAST-IN ITEMS CLEANED	
CONCRETE FINISH	
LABELLED (NUMBER / DATED)	
DAMAGE (CRACKS / CHIPPING)	
CLEANLINESS	
ANY ACTION REQUIRED:	
APPROVED FOR DISPATCH	
SLING ANGLE TO BE NOT LESS THAN 60° TO HORIZONTAL WHEN LIFTING	
40cvr TO ALL EDGES & FACES (UNO)	
Area (m ²)	5.11
Vol (m ³)	0.76
Wt. (t)	1.90
MPa	40MPa
FINISH	-
NO: OFF	1

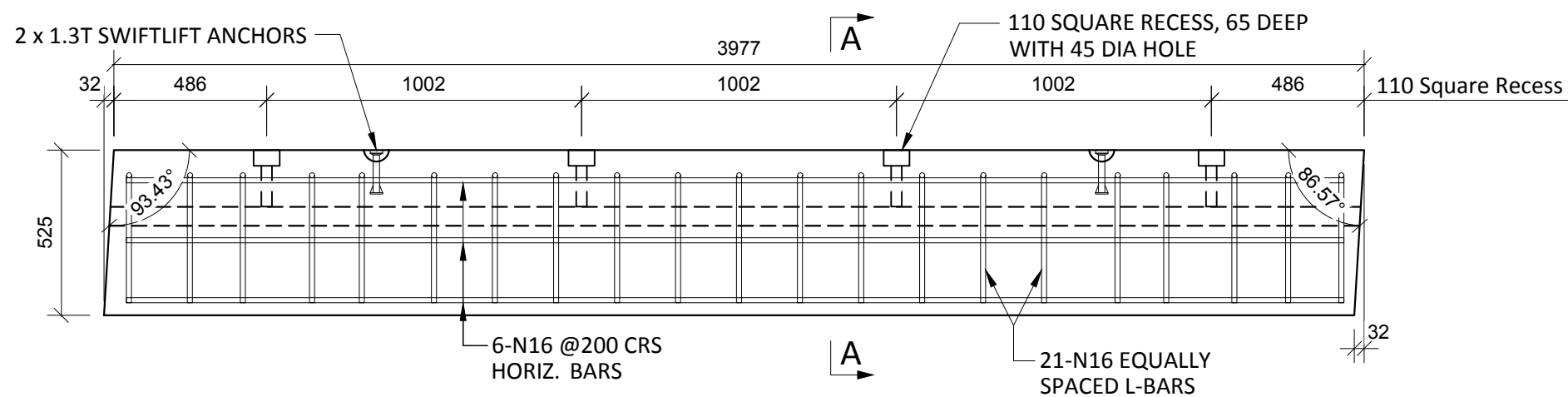
REV.	DATE	DESCRIPTION	DRAWN	APPROVED
1	05/02/19	REVISED PANEL TO SUIT GRADE%	NG	
0	10/12/18	FOR APPROVAL	NG	

Contractor	Job	Project	Title	DRAWN	NG	Date	10/12/18	Lot No.	163A
Designer	NORTHERN BEACHES COUNCIL NORTHERN BEACHES HOSPITAL CONNECTIVITY AND NETWORK ENHANCEMENT		ZONE 2000 - STAGE 2 2SL-01-EB PRECAST COPING PANEL C1-15						
				Checked	HP	Scale (A3)	1:10 1:20	P- C1-15	1

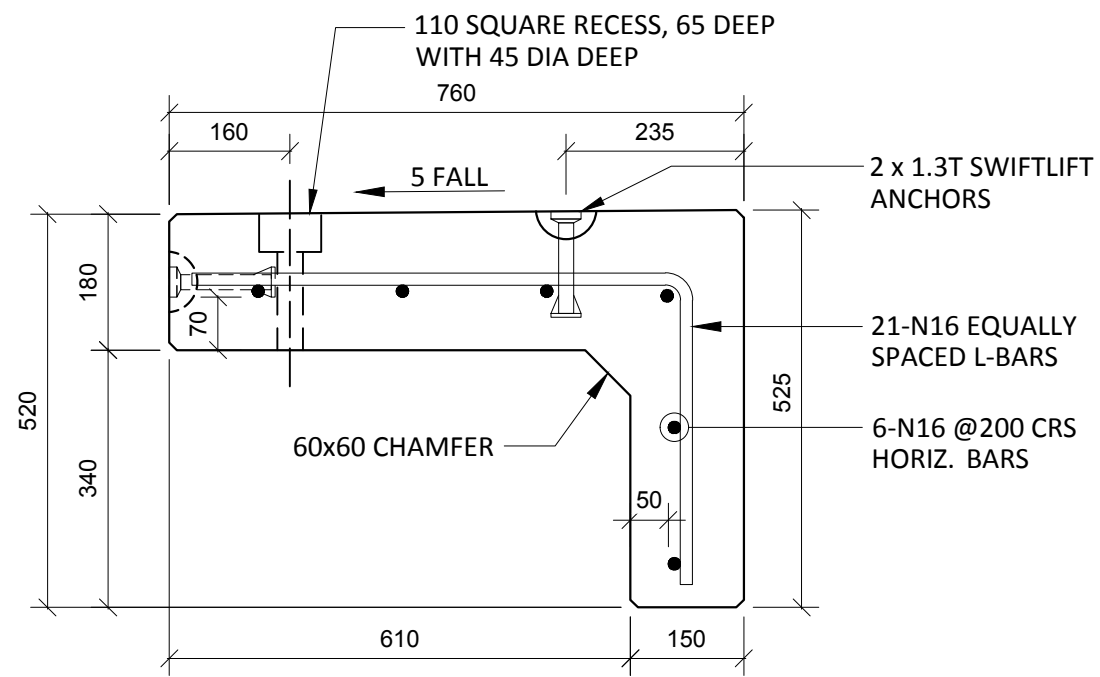
COPYRIGHT RESERVED



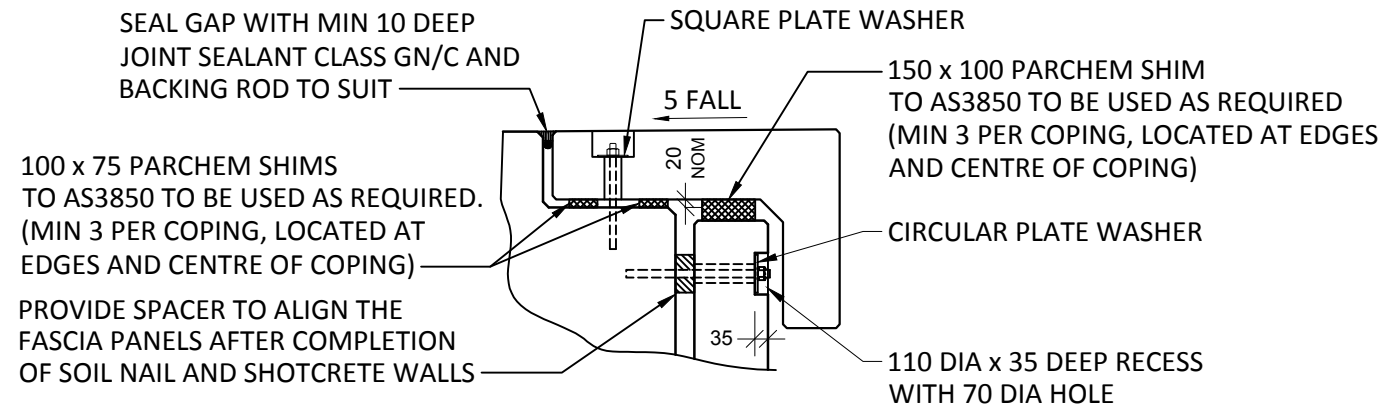
STANDARD PRECAST COPING PANEL PLAN - C1-16
SCALE :- 1:20



STANDARD PRECAST COPING PANEL ELEVATION - C1-16 150/180 THK.
SCALE :- 1:20



SECTION A-A
SCALE :- 1:10



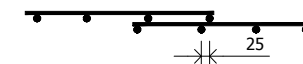
TYPICAL FIXING AND SHIM DETAIL
SCALE :- 1:20

NOTES.
CONCRETE

- CONCRETE SHALL HAVE A MIN. 28 DAY COMPRESSIVE STRENGTH OF 40MPa.
- PLACING AND CURING OF CONCRETE SHALL COMPLY WITH RMS D+C SPECIFICATION B80.
- ALL CORNERS SHALL HAVE 12mmx12mm FILLETS OR CHAMFERS - U.N.O. ON DRAWINGS.
- CONCRETE EXPOSURE CLASSIFICATION: B1 TO RMS D+C SPECIFICATION B80 UNO.
- CONCRETE MIX SHALL BE IN ACCORDANCE WITH RMS D+C SPECIFICATION B80.
- LIFTERS HDG & ALL FIXING ARE SS.

REINFORCING

- COVER: 40mm U.O.N
- ALL REINFORCEMENT SHALL COMPLY WITH AS4671 GRADE D500N (TYPICAL).
- SPACING: TO BE TAKEN AS EVEN UNLESS NOTED OTHERWISE.
- BENDING: BAR BENDING & HOOK DETAILS SHALL BE IN ACCORDANCE WITH AS5100.5.
- WHERE REBATES OR RECESSES ARE REQUIRED, MIN. CLEAR COVER TO THE REINFORCEMENT SHALL BE MAINTAINED.
- REINFORCEMENT MAY BE SHOWN DIAGRAMMATICALLY AND MAY NOT NECESSARILY BE IN TRUE PROJECTION.
- THE MINIMUM LAPPED SPLICE FOR MESH SHALL BE MADE SO THAT THE OUTERMOST CROSS BARS OF ONE SHEET OVERLAP THE TWO OUTERMOST BARS CROSS BARS OF THE SHEET BEING LAPPED AS SHOWN BELOW.



- UNLESS OTHERWISE SPECIFIED, THE MINIMUM DEVELOPMENT LENGTHS AND LENGTHS OF LAPS SHALL BE AS FOLLOWS:

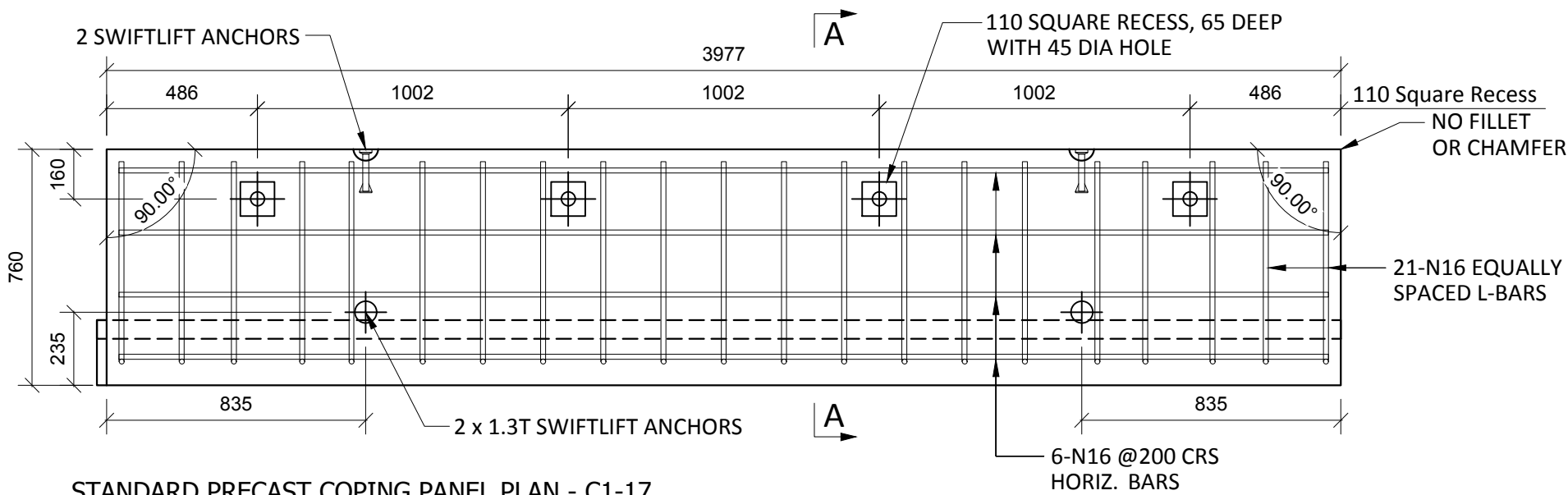
BAR SIZE:	N12	N16	N20	N24
a) HORIZONTAL BARS WITH >300mm OF CONCRETE CAST BELOW THE BAR	500	700	1000	1300
b) OTHER BARS	350	550	750	1000

INSPECTION & TEST PLAN		
INSPECTED BY		
NAME OF FABRICATOR		
UNIT NO.		
CAST DATE		
CAST TIME		
CONCRETE DOCKET NO.		
CONCRETE SPECIF. (MPa)		
ITEM	FABRICATOR INITIAL	APPROVED Y / N
MOULD CLEANLINESS		
RELEASE OIL		
DIMENSIONS		
FORMWORK FIXED		
OPENING / REBATES CORRECT & POSITION		
HOLD POINT		
REINFORCING CORRECT		
LAPS & SPLICES CORRECT		
SPACING & COVER CORRECT		
HOLD POINT		
LIFTERS POSITIONED CORRECTLY		
CAST - IN ITEMS		
STARTERS, LACING BARS		
APPROVED FOR CASTING		
POST POUR INSPECTION		
INSPECTED BY		
DATE		
ITEM		APPROVED Y / N
SWIFTLIFTS POSITION		
SWIFTLIFTS RECESS CLEANED		
CAST-IN ITEMS CLEANED		
CONCRETE FINISH		
LABELLED (NUMBER / DATED)		
DAMAGE (CRACKS / CHIPPING)		
CLEANLINESS		
ANY ACTION REQUIRED:		
APPROVED FOR DISPATCH		
SLING ANGLE TO BE NOT LESS THAN 60° TO HORIZONTAL WHEN LIFTING		
40cvr TO ALL EDGES & FACES (UNO)		
Area (m ²)	5.11	
Vol (m ³)	0.76	
Wt. (t)	1.90	
MPa	40MPa	
FINISH	-	
NO: OFF	1	

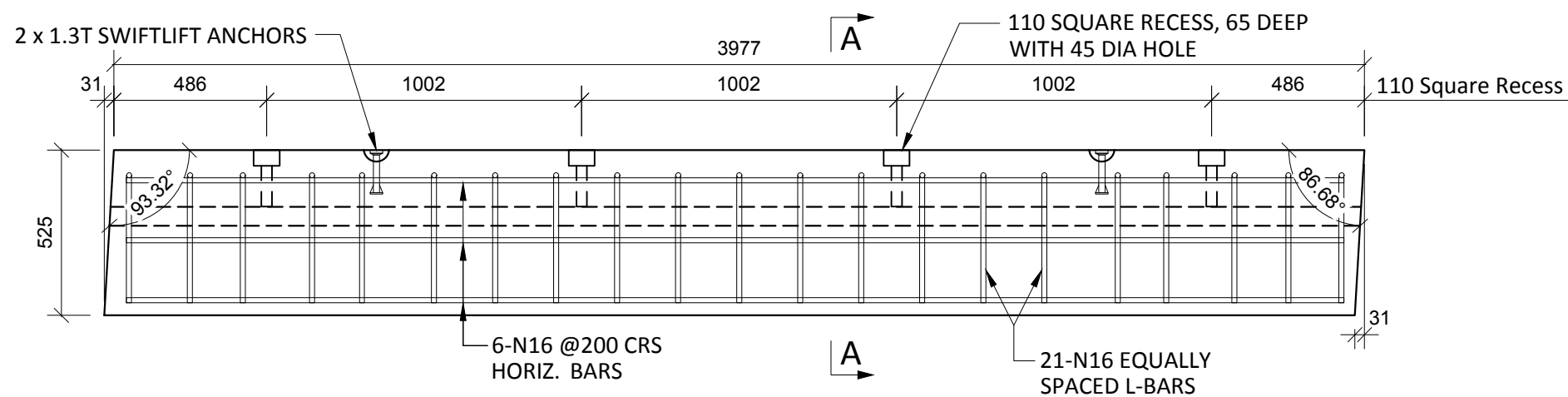
REV.	DATE	DESCRIPTION	DRAWN	APPROVED
1	05/02/19	REVISED PANEL TO SUIT GRADE%	NG	
0	10/12/18	FOR APPROVAL	NG	

Contractor	Job	Project	Title	DRAWN	NG	Date	10/12/18	Lot No.	163A
Designer	NORTHERN BEACHES COUNCIL NORTHERN BEACHES HOSPITAL CONNECTIVITY AND NETWORK ENHANCEMENT		ZONE 2000 - STAGE 2 2SL-01-EB PRECAST COPING PANEL C1-16						
				CHECKED	HP	Scale (A3)	1:10 1:20	P- C1-16	1
								Dwg No.	REV.

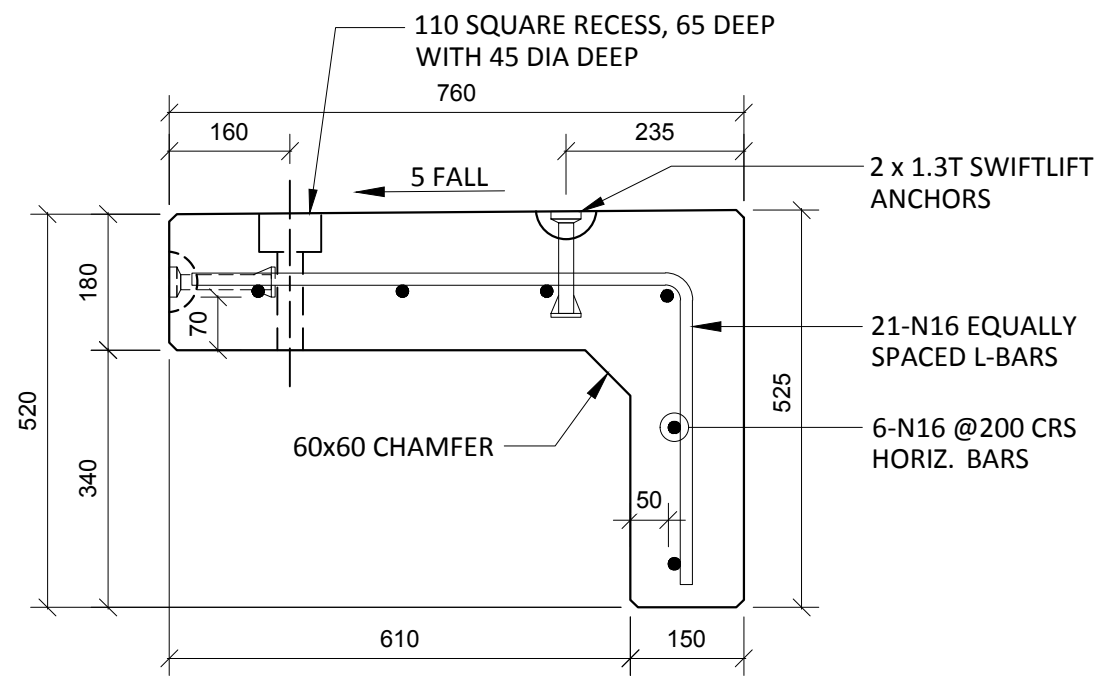
COPYRIGHT RESERVED



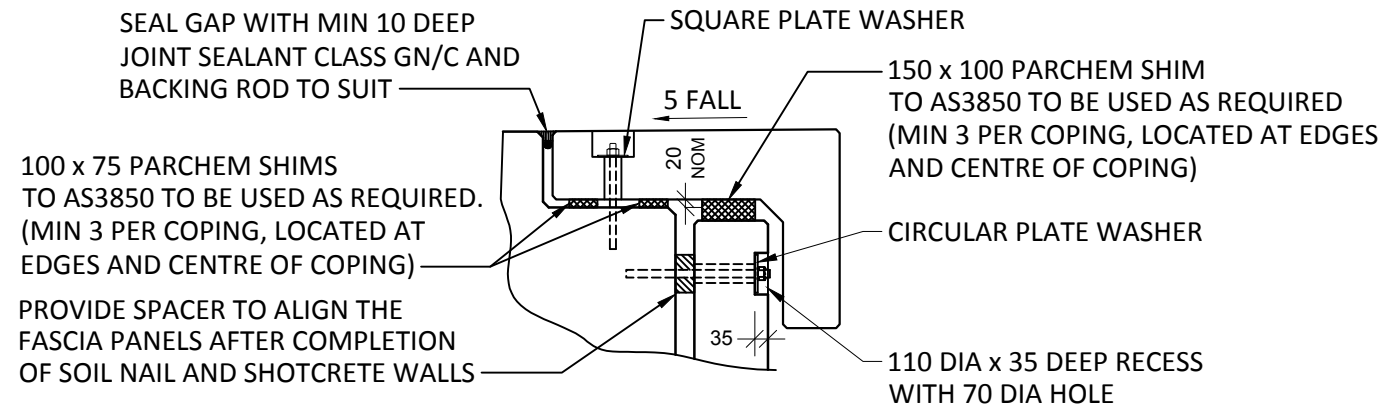
STANDARD PRECAST COPING PANEL PLAN - C1-17
SCALE :- 1:20



STANDARD PRECAST COPING PANEL ELEVATION - C1-17 150/180 THK.
SCALE :- 1:20



SECTION A-A
SCALE :- 1:10



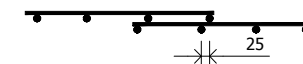
TYPICAL FIXING AND SHIM DETAIL
SCALE :- 1:20

NOTES.
CONCRETE

- CONCRETE SHALL HAVE A MIN. 28 DAY COMPRESSIVE STRENGTH OF 40MPa.
- PLACING AND CURING OF CONCRETE SHALL COMPLY WITH RMS D+C SPECIFICATION B80.
- ALL CORNERS SHALL HAVE 12mmx12mm FILLETS OR CHAMFERS - U.N.O. ON DRAWINGS.
- CONCRETE EXPOSURE CLASSIFICATION: B1 TO RMS D+C SPECIFICATION B80 UNO.
- CONCRETE MIX SHALL BE IN ACCORDANCE WITH RMS D+C SPECIFICATION B80.
- LIFTERS HDG & ALL FIXING ARE SS.

REINFORCING

- COVER: 40mm U.O.N
- ALL REINFORCEMENT SHALL COMPLY WITH AS4671 GRADE D500N (TYPICAL).
- SPACING: TO BE TAKEN AS EVEN UNLESS NOTED OTHERWISE.
- BENDING: BAR BENDING & HOOK DETAILS SHALL BE IN ACCORDANCE WITH AS5100.5.
- WHERE REBATES OR RECESSES ARE REQUIRED, MIN. CLEAR COVER TO THE REINFORCEMENT SHALL BE MAINTAINED.
- REINFORCEMENT MAY BE SHOWN DIAGRAMMATICALLY AND MAY NOT NECESSARILY BE IN TRUE PROJECTION.
- THE MINIMUM LAPPED SPLICE FOR MESH SHALL BE MADE SO THAT THE OUTERMOST CROSS BARS OF ONE SHEET OVERLAP THE TWO OUTERMOST BARS CROSS BARS OF THE SHEET BEING LAPPED AS SHOWN BELOW.



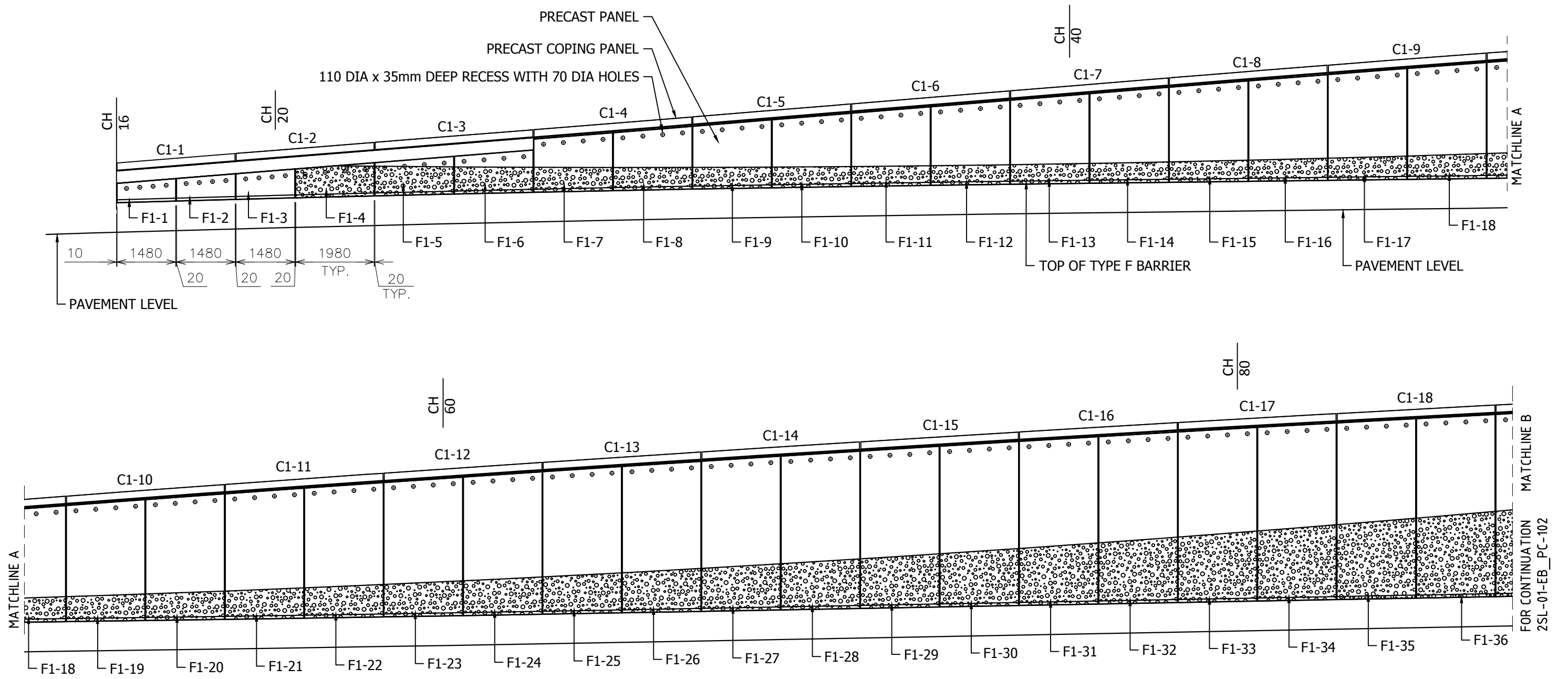
- UNLESS OTHERWISE SPECIFIED, THE MINIMUM DEVELOPMENT LENGTHS AND LENGTHS OF LAPS SHALL BE AS FOLLOWS:

BAR SIZE:	N12	N16	N20	N24
a) HORIZONTAL BARS WITH >300mm OF CONCRETE CAST BELOW THE BAR	500	700	1000	1300
b) OTHER BARS	350	550	750	1000

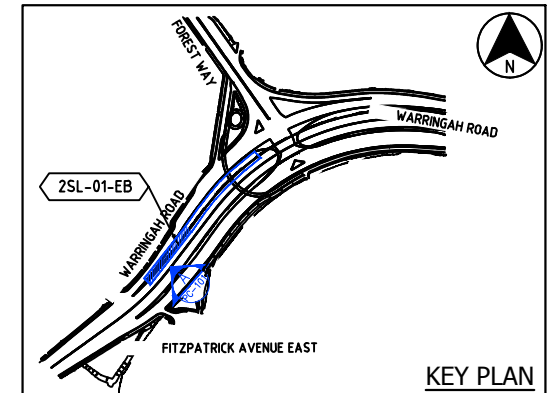
INSPECTION & TEST PLAN		
INSPECTED BY		
NAME OF FABRICATOR		
UNIT NO.		
CAST DATE		
CAST TIME		
CONCRETE DOCKET NO.		
CONCRETE SPECIF. (MPa)		
ITEM	FABRICATOR INITIAL	APPROVED Y / N
MOULD CLEANLINESS		
RELEASE OIL		
DIMENSIONS		
FORMWORK FIXED		
OPENING / REBATES CORRECT & POSITION		
HOLD POINT		
REINFORCING CORRECT		
LAPS & SPLICES CORRECT		
SPACING & COVER CORRECT		
HOLD POINT		
LIFTERS POSITIONED CORRECTLY		
CAST - IN ITEMS		
STARTERS, LACING BARS		
APPROVED FOR CASTING		
POST POUR INSPECTION		
INSPECTED BY		
DATE		
ITEM		APPROVED Y / N
SWIFTLIFTS POSITION		
SWIFTLIFTS RECESS CLEANED		
CAST-IN ITEMS CLEANED		
CONCRETE FINISH		
LABELLED (NUMBER / DATED)		
DAMAGE (CRACKS / CHIPPING)		
CLEANLINESS		
ANY ACTION REQUIRED:		
APPROVED FOR DISPATCH		
SLING ANGLE TO BE NOT LESS THAN 60° TO HORIZONTAL WHEN LIFTING		
40cvr TO ALL EDGES & FACES (UNO)		
Area (m ²)	5.11	
Vol (m ³)	0.76	
Wt. (t)	1.90	
MPa	40MPa	
FINISH	-	
NO: OFF	1	

REV.	DATE	DESCRIPTION	DRAWN	APPROVED
1	05/02/19	REVISED PANEL TO SUIT GRADE%	NG	
0	10/12/18	FOR APPROVAL	NG	

Contractor	Job	Project	Title	COPYRIGHT RESERVED	Drawn	NG	Date	10/12/18	Lot No.	163A
Designer	NORTHERN BEACHES COUNCIL NORTHERN BEACHES HOSPITAL CONNECTIVITY AND NETWORK ENHANCEMENT		ZONE 2000 - STAGE 2 2SL-01-EB PRECAST COPING PANEL C1-17		Checked	HP	Scale (A3)	1:10 1:20	P- C1-17 Dwg No.	1 REV.



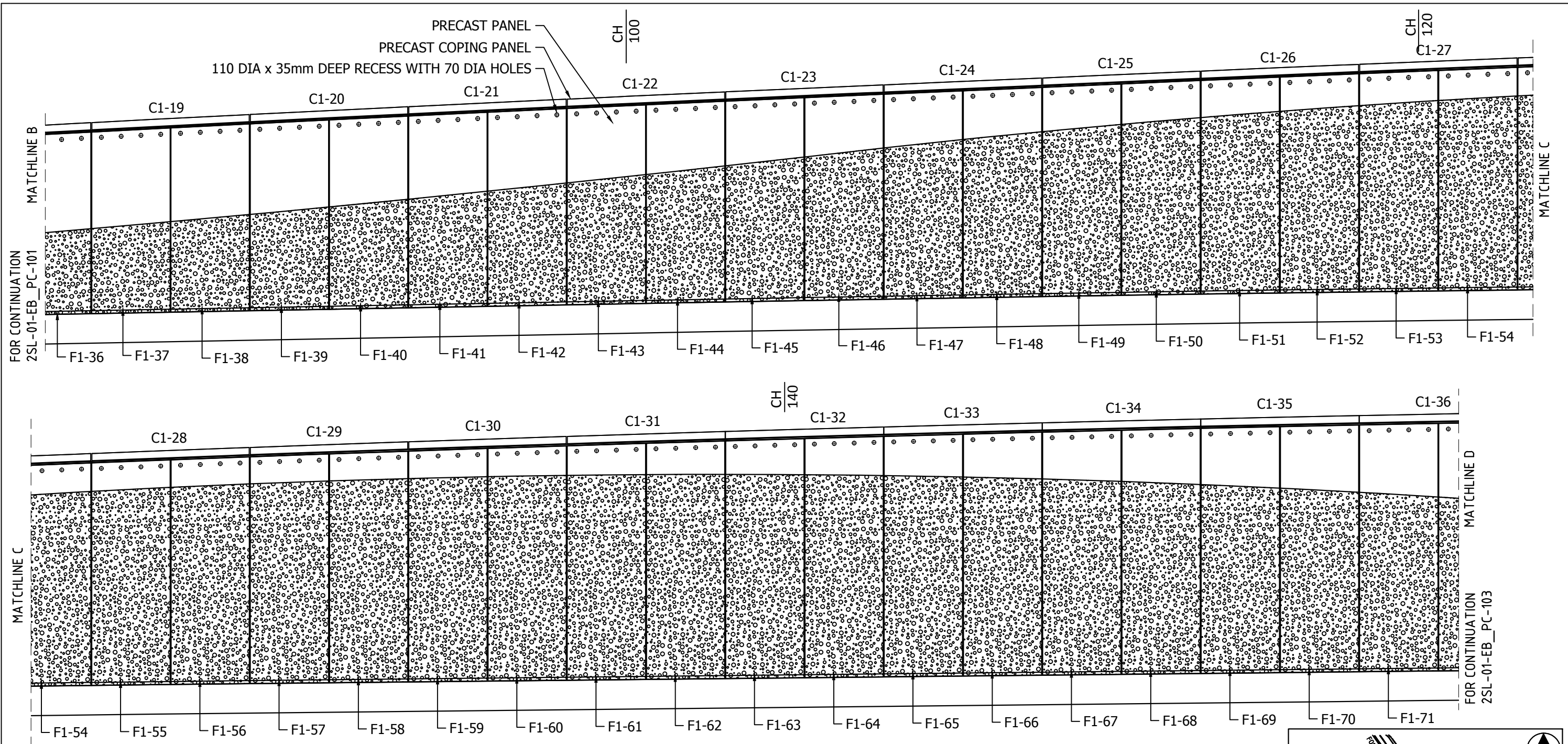
A PRECAST PANEL ELEVATION (2SL-01-EB)
 SCALE 1 : 100



- LEGEND:**
- F1-XX = DENOTES PRECAST PANEL NUMBER
 - C1-XX = DENOTES PRECAST COPING PANEL NUMBER
 - = DENOTES BUBBLE EFFECT CAST IN SHADOW LINE
100, 75, 50, 25mmφ MAXIMUM HEIGHT 25mm
 - = DENOTES CHAINAGE

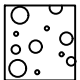

REV.	DATE	DESCRIPTION	DRAWN	APPROVED
0	10/10/18	FOR APPROVAL	HP	

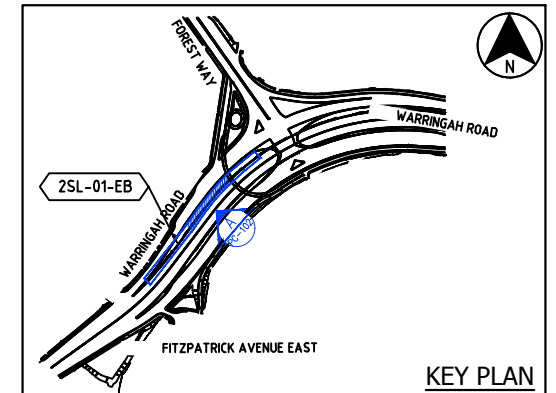
Contractor Designer	Job NORTHERN BEACHES COUNCIL NORTHERN BEACHES HOSPITAL CONNECTIVITY AND NETWORK ENHANCEMENT	Project	Title ZONE 2000 - STAGE 2 2SL-01-EB PRECAST FASCIA PANEL ELEVATION	COPYRIGHT RESERVED	Drawn	HP	Date	10/10/18	Lot No. 163A
					Checked	NP	Scale (A3)	1:100	



B PRECAST PANEL ELEVATION (2SL-01-EB)
SCALE 1 : 100

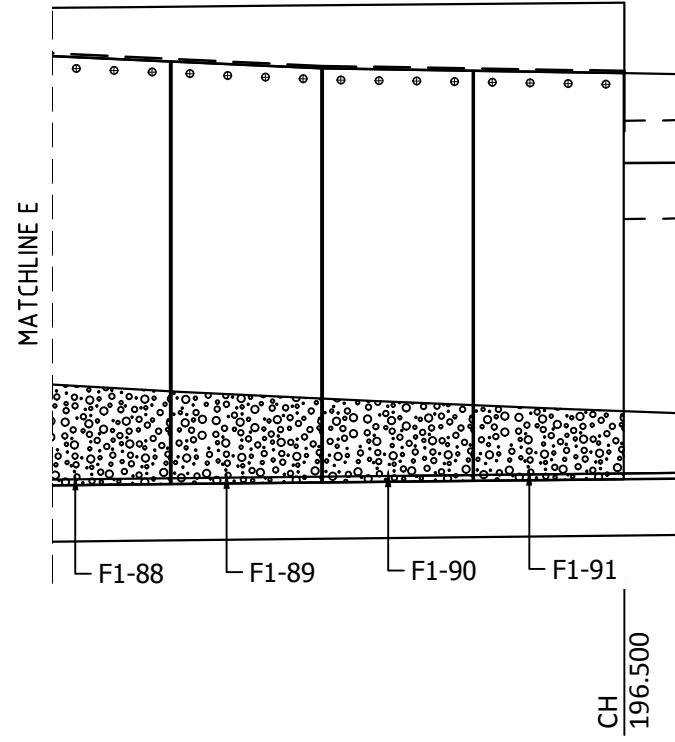
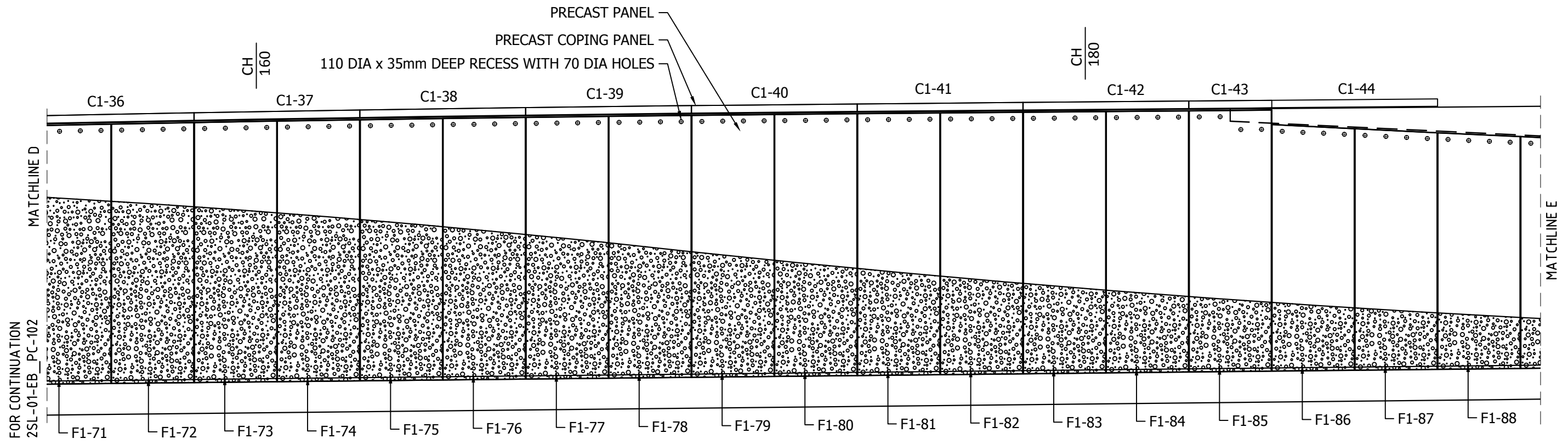
LEGEND:

- F1-XX = DENOTES PRECAST PANEL NUMBER
- C1-XX = DENOTES PRECAST COPING PANEL NUMBER
-  = DENOTES BUBBLE EFFECT CAST IN SHADOW LINE
100, 75, 50, 25mmφ MAXIMUM HEIGHT 25mm
-  = DENOTES CHAINAGE



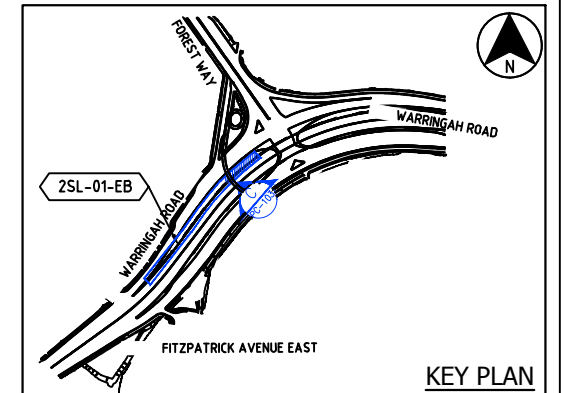
REV.	DATE	DESCRIPTION	DRAWN	APPROVED
0	10/10/18	FOR APPROVAL	HP	

Contractor	Job	Project	Title	Copyright Reserved	Drawn	HP	Date	10/10/18	Lot No. 163A	
					Designer	NP	Scale (A3)	1:100		2SL-01-EB_PC-102
				NORTHERN BEACHES COUNCIL NORTHERN BEACHES HOSPITAL CONNECTIVITY AND NETWORK ENHANCEMENT		ZONE 2000 - STAGE 2 2SL-01-EB PRECAST FASCIA PANEL ELEVATION		Dwg No.		REV.



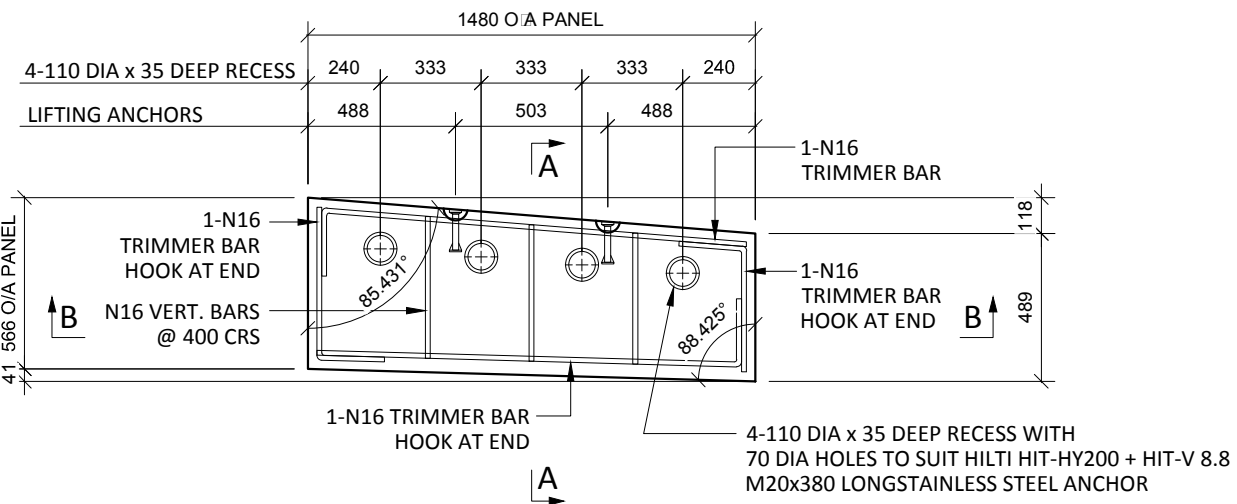
C PRECAST PANEL ELEVATION (2SL-01-EB)
SCALE 1 : 100

- LEGEND:**
- F1-XX = DENOTES PRECAST PANEL NUMBER
 - C1-XX = DENOTES PRECAST COPING PANEL NUMBER
 - = DENOTES BUBBLE EFFECT CAST IN SHADOW LINE
100, 75, 50, 25mm ϕ MAXIMUM HEIGHT 25mm
 - = DENOTES CHAINAGE

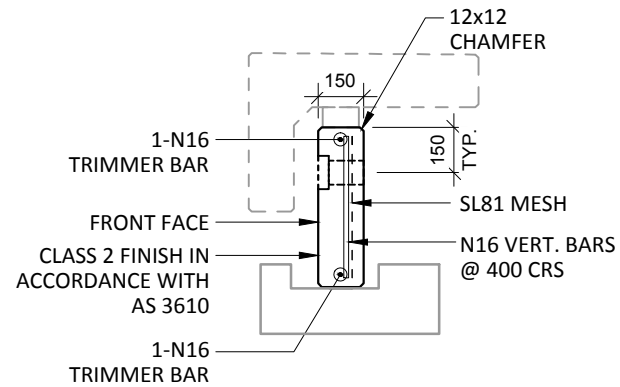


REV.	DATE	DESCRIPTION	DRAWN	APPROVED
0	10/10/18	FOR APPROVAL	HP	

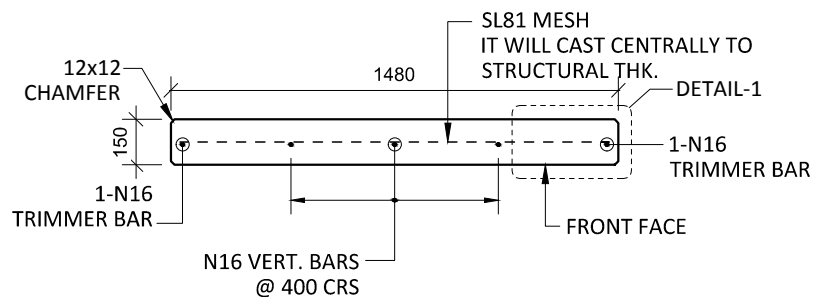
Contractor	Designer	Job NORTHERN BEACHES COUNCIL NORTHERN BEACHES HOSPITAL CONNECTIVITY AND NETWORK ENHANCEMENT	Project	Title ZONE 2000 - STAGE 2 2SL-01-EB PRECAST FASCIA PANEL ELEVATION	COPYRIGHT RESERVED	Drawn	HP	Date	10/10/18	Lot No. 163A
						Checked	NP	Scale (A3)	1:100	



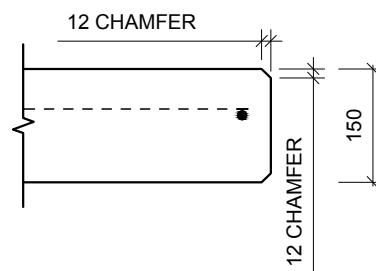
F1-1 PLAN AS CAST - 150 THK
SCALE :- 1:25 SL81 MESH IS NOT SHOWN FOR CLARITY



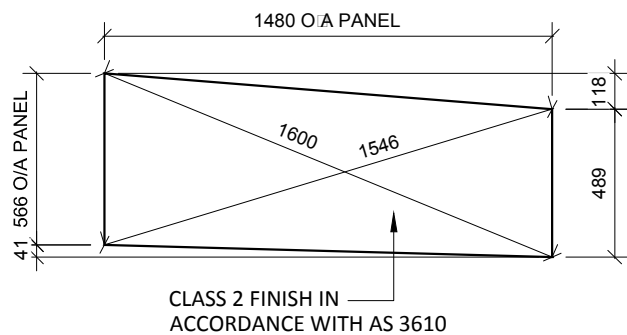
SECTION A-A
SCALE :- 1:25



SECTION B-B
SCALE :- 1:25



DETAIL-1
SCALE :- 1:10



VIEWED AS CAST
SCALE :- 1:25

NOTES.
CONCRETE

- CONCRETE SHALL HAVE A MIN. 28 DAY COMPRESSIVE STRENGTH OF 40MPa.
- PLACING AND CURING OF CONCRETE SHALL COMPLY WITH RMS D+C SPECIFICATION B80.
- ALL CORNERS SHALL HAVE 12mmx12mm FILLETS OR CHAMFERS - U.N.O. ON DRAWINGS.
- CONCRETE EXPOSURE CLASSIFICATION: B1 TO RMS D+C SPECIFICATION B80 UNO.
- CONCRETE MIX SHALL BE IN ACCORDANCE WITH RMS D+C SPECIFICATION B80.
- LIFTERS HDG & ALL FIXING ARE SS.

REINFORCING

- COVER: 40mm U.O.N
- ALL REINFORCEMENT SHALL COMPLY WITH AS4671 GRADE D500N (TYPICAL).
- SPACING: TO BE TAKEN AS EVEN UNLESS NOTED OTHERWISE.
- BENDING: BAR BENDING & HOOK DETAILS SHALL BE IN ACCORDANCE WITH AS5100.5.
- WHERE REBATES OR RECESSES ARE REQUIRED, MIN. CLEAR COVER TO THE REINFORCEMENT SHALL BE MAINTAINED.
- N16 TRIMMER BARS TO BE PROVIDED ALL AROUND.
- REINFORCEMENT MAY BE SHOWN DIAGRAMMATICALLY AND MAY NOT NECESSARILY BE IN TRUE PROJECTION. THE MINIMUM LAPPED SPLICE FOR MESH SHALL BE MADE SO THAT THE OUTERMOST CROSS BARS OF ONE SHEET OVERLAP THE TWO OUTERMOST BARS CROSS BARS OF THE SHEET BEING LAPPED AS SHOWN BELOW.



- UNLESS OTHERWISE SPECIFIED, THE MINIMUM DEVELOPMENT LENGTHS AND LENGTHS OF LAPS SHALL BE AS FOLLOWS:

BAR SIZE:	N12	N16	N20	N24
a) HORIZONTAL BARS WITH >300mm OF CONCRETE CAST BELOW THE BAR	500	700	1000	1300
b) OTHER BARS	350	550	750	1000

INSPECTION **TEST PLAN**

INSPECTED BY	
NAME OF FABRICATOR	
UNIT NO.	
CAST DATE	
CAST TIME	
CONCRETE DOCKET NO.	
CONCRETE SPECIF. (MPa)	

ITEM	FABRICATOR INITIAL	APPROVED Y / N
MOULD CLEANLINESS		
RELEASE OIL		
DIMENSIONS		
FORMWORK FIXED		
OPENING / REBATES CORRECT <input type="checkbox"/> POSITION		
HOLD POINT		
REINFORCING CORRECT		
LAPS <input type="checkbox"/> SPLICES CORRECT		
SPACING <input type="checkbox"/> COVER CORRECT		
HOLD POINT		
LIFTERS POSITIONED CORRECTLY		
CAST - IN ITEMS		
STARTERS <input type="checkbox"/> LACING BARS		
APPROVED FOR CASTING		

POST POUR INSPECTION

INSPECTED BY	
DATE	

ITEM	APPROVED Y / N
SWIFTLIFTS POSITION	
SWIFTLIFTS RECESS CLEANED	
CAST-IN ITEMS CLEANED	
CONCRETE FINISH	
LABELLED (NUMBER / DATED)	
DAMAGE (CRACKS / CHIPPING)	
CLEANLINESS	

ANY ACTION REQUIRED:
URBAN DESIGN PANEL FINISH

APPROVED FOR DISPATCH

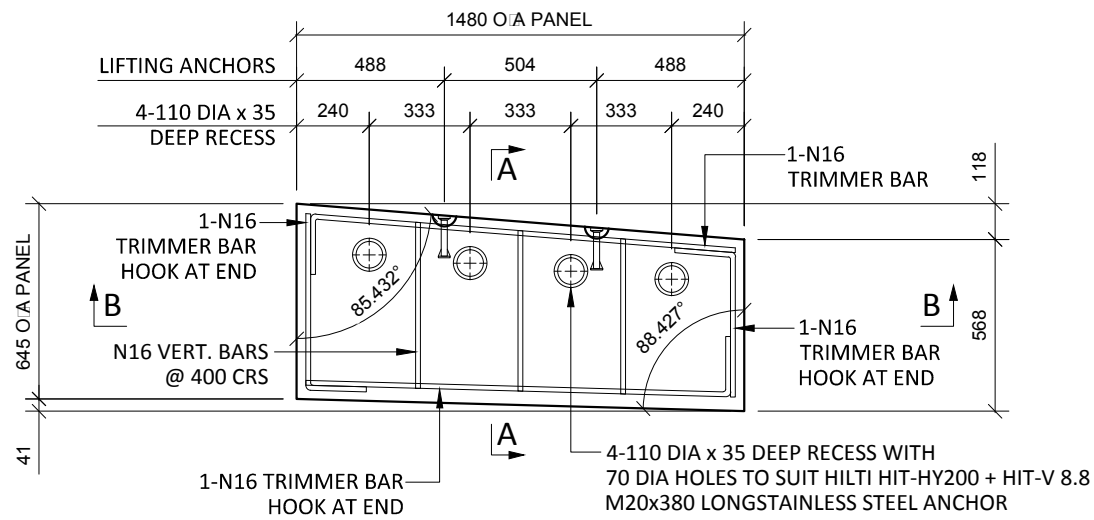
SLING ANGLE TO BE NOT LESS THAN 60° TO HORIZONTAL WHEN LIFTING

40c TO ALL EDGES FACES (UNO)

Area (m ²)	0.78
Vol (m ³)	0.14
Wt. (t)	0.36
MPa	40MPa
FINISH	-
NO: OFF	1

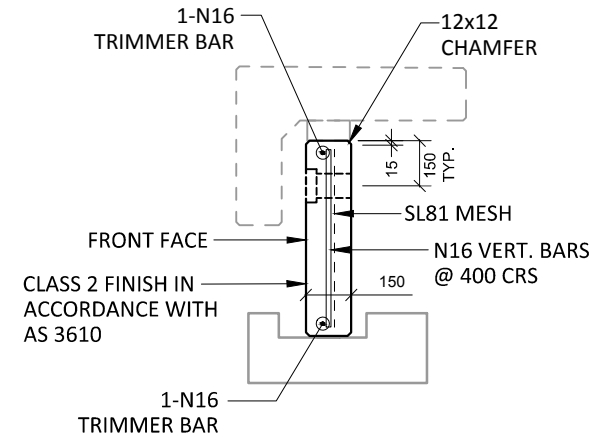
REV.	DATE	DESCRIPTION	DRAWN	APPROVED
0	28/11/2018	ISSUED FOR CONSTRUCTION	NG	

Contractor	Job	Project	Title	COPYRIGHT RESERVED	Drawn	NG	Date	28/11/2018	Lot No. 163A
Designer	NORTHERN BEACHES COUNCIL NORTHERN BEACHES HOSPITAL CONNECTIVITY AND NETWORK ENHANCEMENT		ONE 2000 - STAGE 2 2SL-01-EB PRECAST FASCIA PANEL F1-1		Checked	HP	Scale (A3)	1:25	



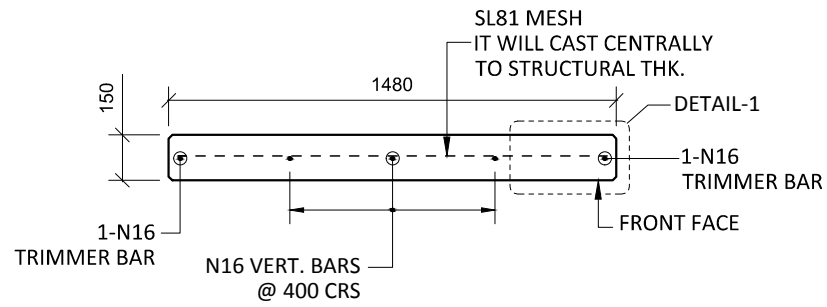
F1-2 PLAN AS CAST - 150 THK

SCALE :- 1:25 SL81 MESH IS NOT SHOWN FOR CLARITY



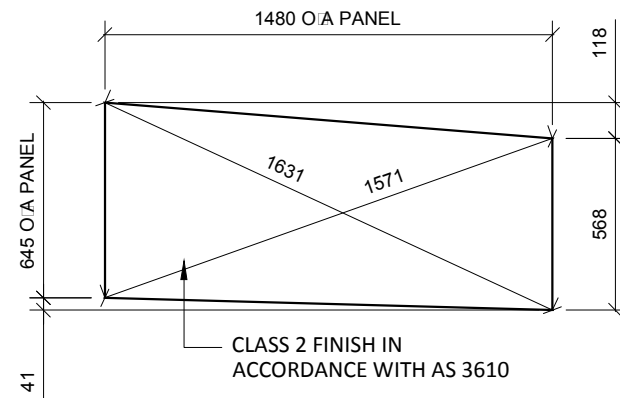
SECTION A-A

SCALE :- 1:25



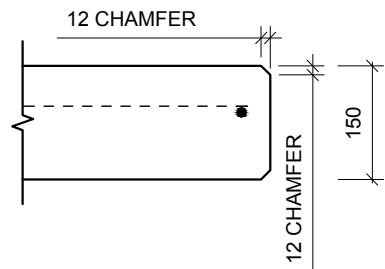
SECTION B-B

SCALE :- 1:25



VIEWED AS CAST

SCALE :- 1:25



DETAIL-1

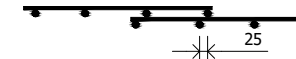
SCALE :- 1:10

NOTES.
CONCRETE

- CONCRETE SHALL HAVE A MIN. 28 DAY COMPRESSIVE STRENGTH OF 40MPa.
- PLACING AND CURING OF CONCRETE SHALL COMPLY WITH RMS D+C SPECIFICATION B80.
- ALL CORNERS SHALL HAVE 12mmx12mm FILLETS OR CHAMFERS - U.N.O. ON DRAWINGS.
- CONCRETE EXPOSURE CLASSIFICATION: B1 TO RMS D+C SPECIFICATION B80 UNO.
- CONCRETE MIX SHALL BE IN ACCORDANCE WITH RMS D+C SPECIFICATION B80.
- LIFTERS HDG & ALL FIXING ARE SS.

REINFORCING

- COVER: 40mm U.O.N
- ALL REINFORCEMENT SHALL COMPLY WITH AS4671 GRADE D500N (TYPICAL).
- SPACING: TO BE TAKEN AS EVEN UNLESS NOTED OTHERWISE.
- BENDING: BAR BENDING & HOOK DETAILS SHALL BE IN ACCORDANCE WITH AS5100.5.
- WHERE REBATES OR RECESSES ARE REQUIRED, MIN. CLEAR COVER TO THE REINFORCEMENT SHALL BE MAINTAINED.
- N16 TRIMMER BARS TO BE PROVIDED ALL AROUND.
- REINFORCEMENT MAY BE SHOWN DIAGRAMMATICALLY AND MAY NOT NECESSARILY BE IN TRUE PROJECTION. THE MINIMUM LAPPED SPLICE FOR MESH SHALL BE MADE SO THAT THE OUTERMOST CROSS BARS OF ONE SHEET OVERLAP THE TWO OUTERMOST BARS CROSS BARS OF THE SHEET BEING LAPPED AS SHOWN BELOW.



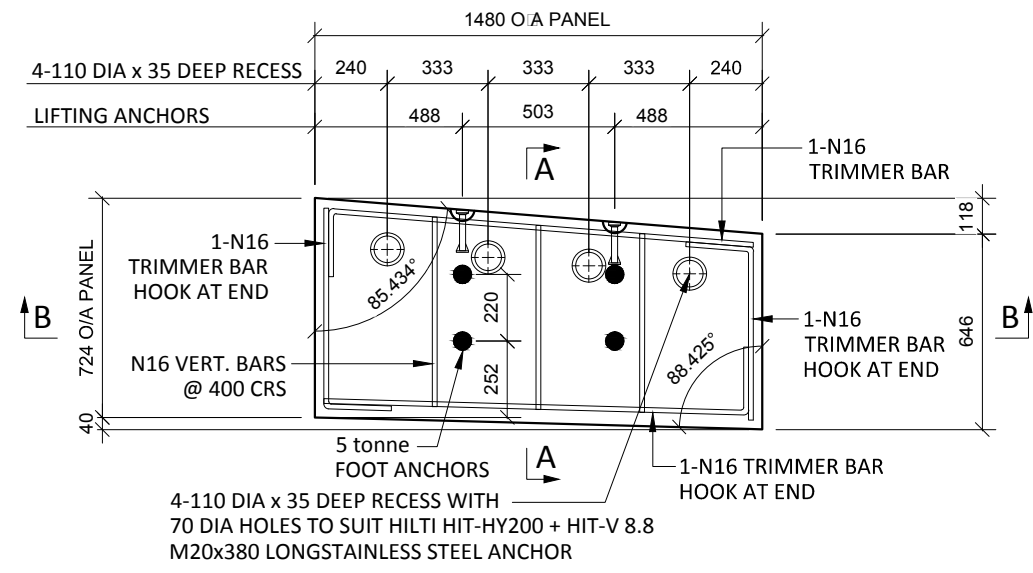
- UNLESS OTHERWISE SPECIFIED, THE MINIMUM DEVELOPMENT LENGTHS AND LENGTHS OF LAPS SHALL BE AS FOLLOWS:

BAR SIZE:	N12	N16	N20	N24
a) HORIZONTAL BARS WITH >300mm OF CONCRETE CAST BELOW THE BAR	500	700	1000	1300
b) OTHER BARS	350	550	750	1000

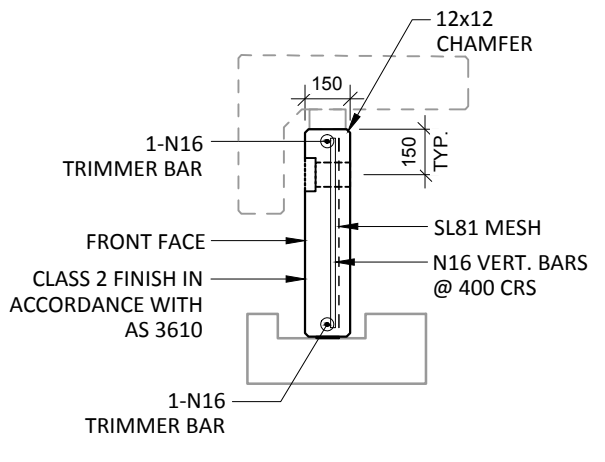
INSPECTION <input type="checkbox"/> TEST PLAN	
INSPECTED BY	
NAME OF FABRICATOR	
UNIT NO.	
CAST DATE	
CAST TIME	
CONCRETE DOCKET NO.	
CONCRETE SPECIF. (MPa)	
ITEM	FABRICATOR APPROVED INITIAL Y / N
MOULD CLEANLINESS	
RELEASE OIL	
DIMENSIONS	
FORMWORK FIXED	
OPENING / REBATES CORRECT <input type="checkbox"/> POSITION	
HOLD POINT	
REINFORCING CORRECT	
LAPS <input type="checkbox"/> SPLICES CORRECT	
SPACING <input type="checkbox"/> COVER CORRECT	
HOLD POINT	
LIFTERS POSITIONED CORRECTLY	
CAST - IN ITEMS	
STARTERS <input type="checkbox"/> LACING BARS	
APPROVED FOR CASTING	
POST POUR INSPECTION	
INSPECTED BY	
DATE	
ITEM	APPROVED Y / N
SWIFTLIFTS POSITION	
SWIFTLIFTS RECESS CLEANED	
CAST-IN ITEMS CLEANED	
CONCRETE FINISH	
LABELLED (NUMBER / DATED)	
DAMAGE (CRACKS / CHIPPING)	
CLEANLINESS	
ANY ACTION REQUIRED:	URBAN DESIGN PANEL FINISH
APPROVED FOR DISPATCH	
SLING ANGLE TO BE NOT LESS THAN 60° TO HORIZONTAL WHEN LIFTING	
40c <input type="checkbox"/> TO ALL EDGES <input type="checkbox"/> FACES (UNO)	
Area (m ²)	0.90
Vol (m ³)	0.13
Wt. (t)	0.34
MPa	40MPa
FINISH	FRONT FACE URBAN DESIGN PANEL FINISH
NO: OFF	1

REV.	DATE	DESCRIPTION	DRAWN	APPROVED
0	28/11/2018	ISSUED FOR CONSTRUCTION	JM	

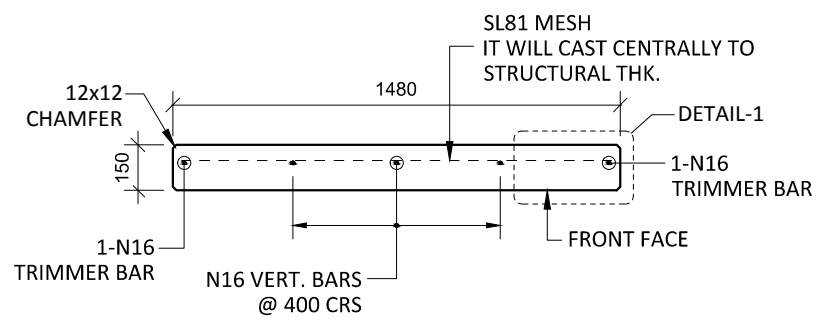
Contractor	Job	Project	Title	COPYRIGHT RESERVED	Drawn	JM	Date	28/11/2018	Lot No. 163A
Designer	NORTHERN BEACHES COUNCIL NORTHERN BEACHES HOSPITAL CONNECTIVITY AND NETWORK ENHANCEMENT		ONE 2000 - STAGE 2 2SL-01-EB PRECAST FASCIA PANEL F1-2		Checked	HP	Scale (A3)	1:10 1:25	



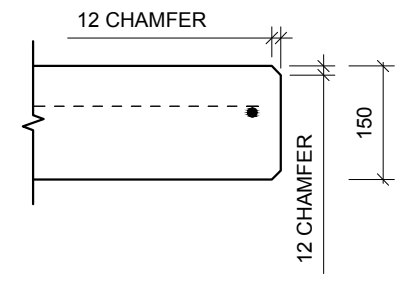
F1-3 PLAN AS CAST - 150 THK
 SCALE :- 1:25 SL81 MESH IS NOT SHOWN FOR CLARITY



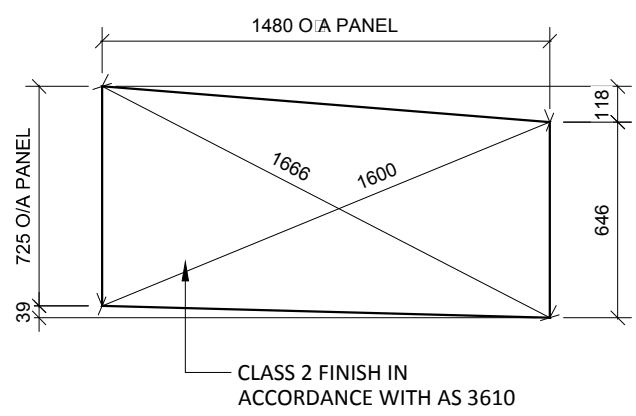
SECTION A-A
 SCALE :- 1:25



SECTION B-B
 SCALE :- 1:25



DETAIL-1
 SCALE :- 1:10



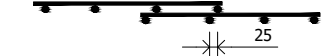
VIEWED AS CAST
 SCALE :- 1:25

NOTES.
CONCRETE

- CONCRETE SHALL HAVE A MIN. 28 DAY COMPRESSIVE STRENGTH OF 40MPa.
- PLACING AND CURING OF CONCRETE SHALL COMPLY WITH RMS D+C SPECIFICATION B80.
- ALL CORNERS SHALL HAVE 12mmx12mm FILLETS OR CHAMFERS - U.N.O. ON DRAWINGS.
- CONCRETE EXPOSURE CLASSIFICATION: B1 TO RMS D+C SPECIFICATION B80 UNO.
- CONCRETE MIX SHALL BE IN ACCORDANCE WITH RMS D+C SPECIFICATION B80.
- LIFTERS HDG & ALL FIXING ARE SS.

REINFORCING

- COVER: 40mm U.O.N
- ALL REINFORCEMENT SHALL COMPLY WITH AS4671 GRADE D500N (TYPICAL).
- SPACING: TO BE TAKEN AS EVEN UNLESS NOTED OTHERWISE.
- BENDING: BAR BENDING & HOOK DETAILS SHALL BE IN ACCORDANCE WITH AS5100.5.
- WHERE REBATES OR RECESSES ARE REQUIRED, MIN. CLEAR COVER TO THE REINFORCEMENT SHALL BE MAINTAINED.
- N16 TRIMMER BARS TO BE PROVIDED ALL AROUND.
- REINFORCEMENT MAY BE SHOWN DIAGRAMMATICALLY AND MAY NOT NECESSARILY BE IN TRUE PROJECTION. THE MINIMUM LAPPED SPLICE FOR MESH SHALL BE MADE SO THAT THE OUTERMOST CROSS BARS OF ONE SHEET OVERLAP THE TWO OUTERMOST BARS CROSS BARS OF THE SHEET BEING LAPPED AS SHOWN BELOW.



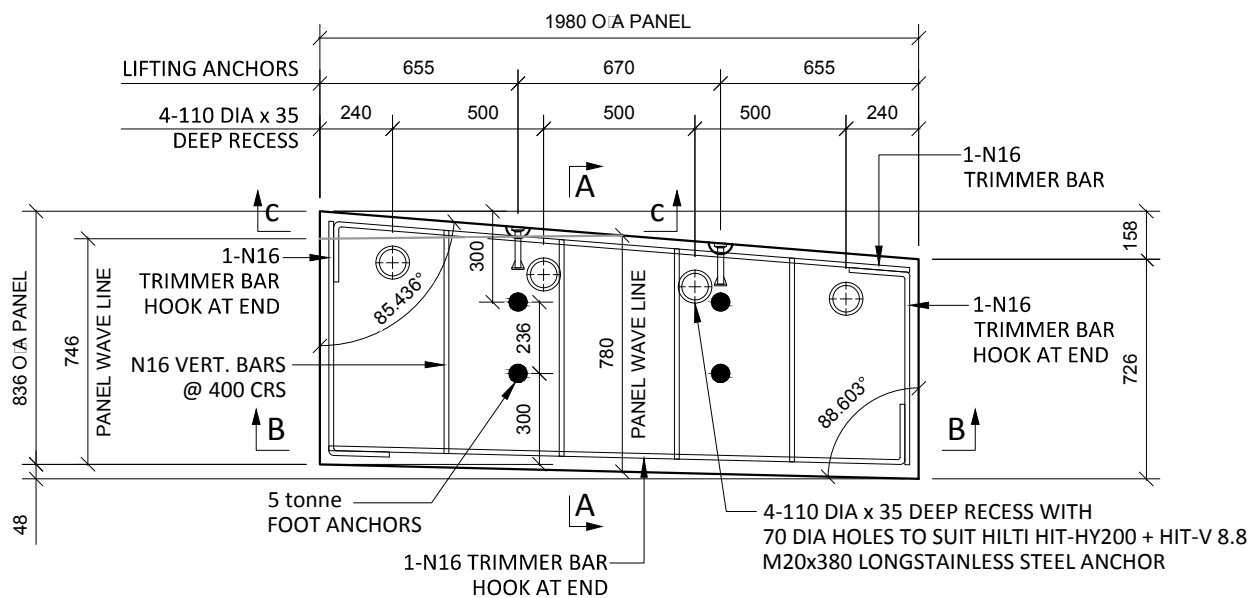
- UNLESS OTHERWISE SPECIFIED, THE MINIMUM DEVELOPMENT LENGTHS AND LENGTHS OF LAPS SHALL BE AS FOLLOWS:

BAR SIZE:	N12	N16	N20	N24
a) HORIZONTAL BARS WITH >300mm OF CONCRETE CAST BELOW THE BAR	500	700	1000	1300
b) OTHER BARS	350	550	750	1000

INSPECTION <input type="checkbox"/> TEST PLAN		
INSPECTED BY		
NAME OF FABRICATOR		
UNIT NO.		
CAST DATE		
CAST TIME		
CONCRETE DOCKET NO.		
CONCRETE SPECIF. (MPa)		
ITEM	FABRICATOR INITIAL	APPROVED Y / N
MOULD CLEANLINESS		
RELEASE OIL		
DIMENSIONS		
FORMWORK FIXED		
OPENING / REBATES CORRECT <input type="checkbox"/> POSITION		
HOLD POINT		
REINFORCING CORRECT		
LAPS <input type="checkbox"/> SPLICES CORRECT		
SPACING <input type="checkbox"/> COVER CORRECT		
HOLD POINT		
LIFTERS POSITIONED CORRECTLY		
CAST - IN ITEMS		
STARTERS <input type="checkbox"/> LACING BARS		
APPROVED FOR CASTING		
POST POUR INSPECTION		
INSPECTED BY		
DATE		
ITEM		APPROVED Y / N
SWIFTLIFTS POSITION		
SWIFTLIFTS RECESS CLEANED		
CAST-IN ITEMS CLEANED		
CONCRETE FINISH		
LABELLED (NUMBER / DATED)		
DAMAGE (CRACKS / CHIPPING)		
CLEANLINESS		
ANY ACTION REQUIRED:		
URBAN DESIGN PANEL FINISH		
APPROVED FOR DISPATCH		
SLING ANGLE TO BE NOT LESS THAN 60° TO HORIZONTAL WHEN LIFTING		
40c <input type="checkbox"/> TO ALL EDGES <input type="checkbox"/> FACES (UNO)		
Area (m ²)	1.01	
Vol (m ³)	0.15	
Wt. (t)	0.38	
MPa	40MPa	
FINISH	-	
NO: OFF	1	

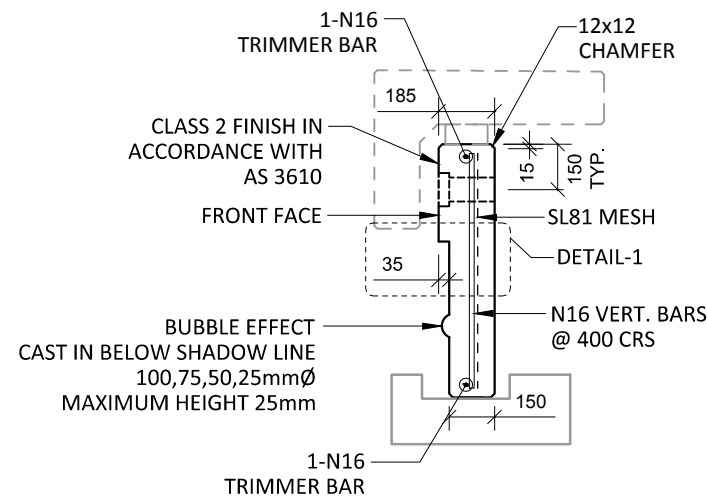
REV.	DATE	DESCRIPTION	DRAWN	APPROVED
0	28/11/2018	ISSUED FOR CONSTRUCTION	NG	

Contractor	Designer	Job	Project	Title	COPYRIGHT RESERVED	Drawn	NG	Date	28/11/2018	Lot No. 163A
		NORTHERN BEACHES COUNCIL NORTHERN BEACHES HOSPITAL CONNECTIVITY AND NETWORK ENHANCEMENT		ONE 2000 - STAGE 2 2SL-01-EB PRECAST FASCIA PANEL F1-3		Checked	HP	Scale (A3) 1:10 1:25	P- F1-3 Dwg No.	



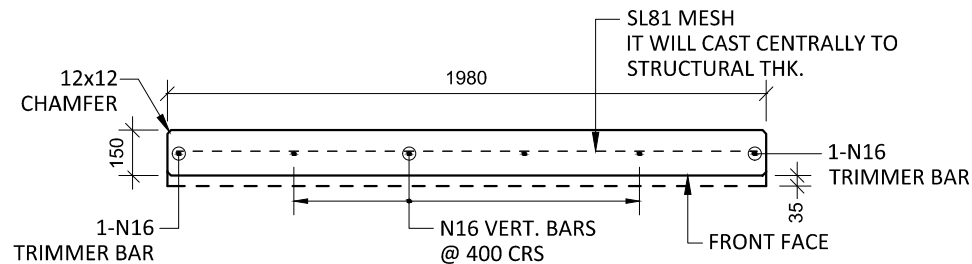
F1-4 PLAN AS CAST - 150/185 THK

SCALE :- 1:25 SL81 MESH NOT SHOWN FOR CLARITY



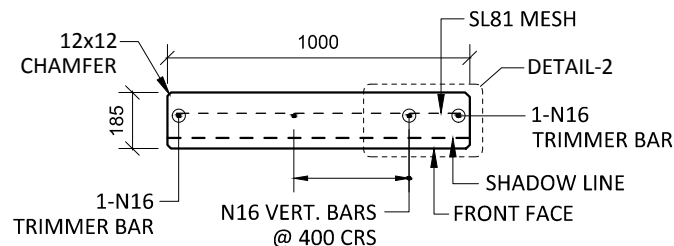
SECTION A-A

SCALE :- 1:25



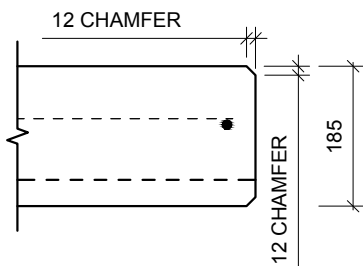
SECTION B-B

SCALE :- 1:25



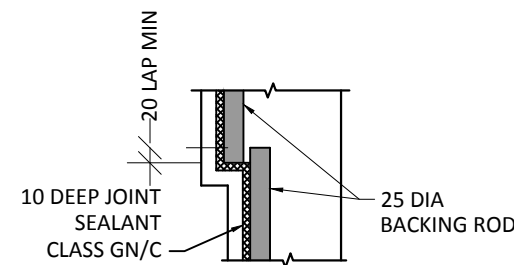
SECTION C-C

SCALE :- 1:25



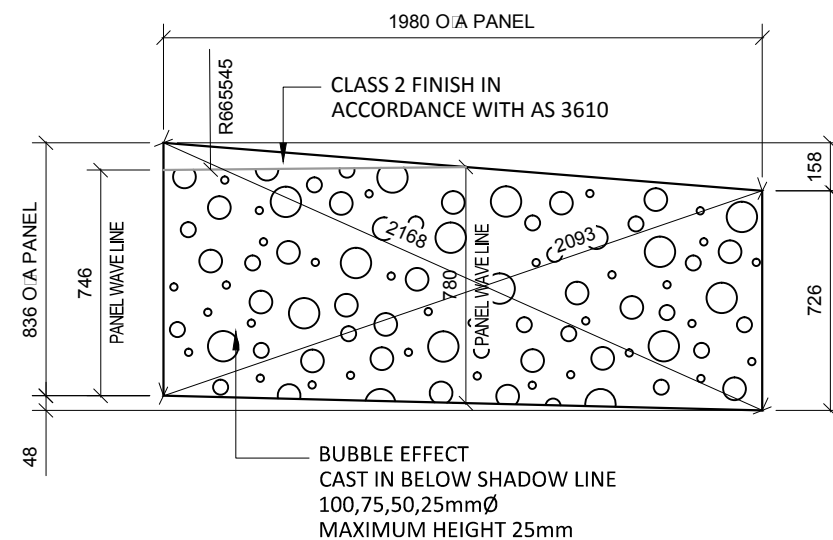
DETAIL-2

SCALE :- 1:10



DETAIL-1

SCALE :- 1:10



VIEWED AS CAST

SCALE :- 1:25

NOTES.
CONCRETE

- CONCRETE SHALL HAVE A MIN. 28 DAY COMPRESSIVE STRENGTH OF 40MPa.
- PLACING AND CURING OF CONCRETE SHALL COMPLY WITH RMS D+C SPECIFICATION B80.
- ALL CORNERS SHALL HAVE 12mmx12mm FILLETS OR CHAMFERS - U.N.O. ON DRAWINGS.
- CONCRETE EXPOSURE CLASSIFICATION: B1 TO RMS D+C SPECIFICATION B80 UNO.
- CONCRETE MIX SHALL BE IN ACCORDANCE WITH RMS D+C SPECIFICATION B80.
- LIFTERS HDG & ALL FIXING ARE SS.

REINFORCING

- COVER: 40mm U.O.N
- ALL REINFORCEMENT SHALL COMPLY WITH AS4671 GRADE D500N (TYPICAL).
- SPACING: TO BE TAKEN AS EVEN UNLESS NOTED OTHERWISE.
- BENDING: BAR BENDING & HOOK DETAILS SHALL BE IN ACCORDANCE WITH AS5100.5.
- WHERE REBATES OR RECESSES ARE REQUIRED, MIN. CLEAR COVER TO THE REINFORCEMENT SHALL BE MAINTAINED.
- N16 TRIMMER BARS TO BE PROVIDED ALL AROUND.
- REINFORCEMENT MAY BE SHOWN DIAGRAMMATICALLY AND MAY NOT NECESSARILY BE IN TRUE PROJECTION. THE MINIMUM LAPPED SPLICE FOR MESH SHALL BE MADE SO THAT THE OUTERMOST CROSS BARS OF ONE SHEET OVERLAP THE TWO OUTERMOST BARS CROSS BARS OF THE SHEET BEING LAPPED AS SHOWN BELOW.



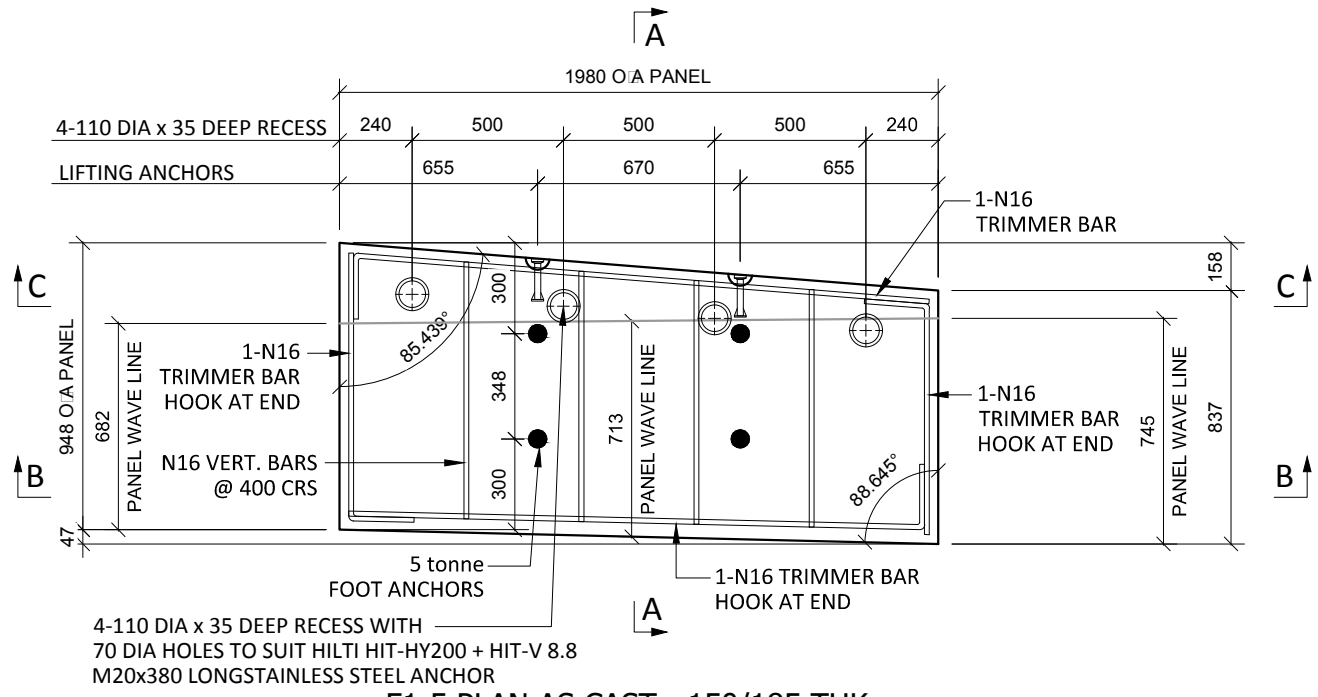
- UNLESS OTHERWISE SPECIFIED, THE MINIMUM DEVELOPMENT LENGTHS AND LENGTHS OF LAPS SHALL BE AS FOLLOWS:

BAR SIZE:	N12	N16	N20	N24
a) HORIZONTAL BARS WITH >300mm OF CONCRETE CAST BELOW THE BAR	500	700	1000	1300
b) OTHER BARS	350	550	750	1000

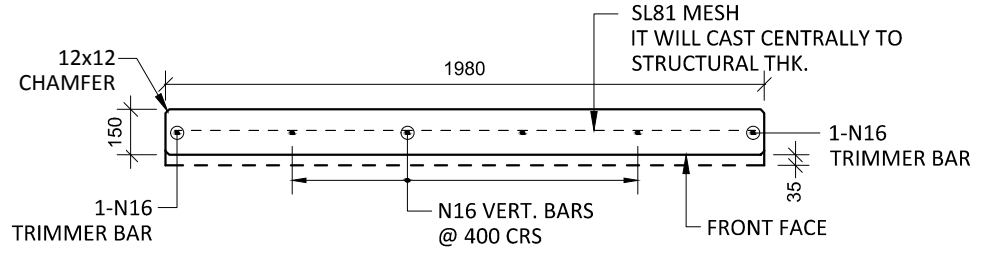
INSPECTION <input type="checkbox"/> TEST PLAN	
INSPECTED BY	
NAME OF FABRICATOR	
UNIT NO.	
CAST DATE	
CAST TIME	
CONCRETE DOCKET NO.	
CONCRETE SPECIF. (MPa)	
ITEM	FABRICATOR APPROVED INITIAL Y / N
MOULD CLEANLINESS	
RELEASE OIL	
DIMENSIONS	
FORMWORK FIXED	
OPENING / REBATES CORRECT <input type="checkbox"/> POSITION	
HOLD POINT	
REINFORCING CORRECT	
LAPS <input type="checkbox"/> SPLICES CORRECT	
SPACING <input type="checkbox"/> COVER CORRECT	
HOLD POINT	
LIFTERS POSITIONED CORRECTLY	
CAST - IN ITEMS	
STARTERS <input type="checkbox"/> LACING BARS	
APPROVED FOR CASTING	
POST POUR INSPECTION	
INSPECTED BY	
DATE	
ITEM	APPROVED Y / N
SWIFTLIFTS POSITION	
SWIFTLIFTS RECESS CLEANED	
CAST-IN ITEMS CLEANED	
CONCRETE FINISH	
LABELLED (NUMBER / DATED)	
DAMAGE (CRACKS / CHIPPING)	
CLEANLINESS	
ANY ACTION REQUIRED: URBAN DESIGN PANEL FINISH/ BUBBLE EFFECT FINISH	
APPROVED FOR DISPATCH	
SLING ANGLE TO BE NOT LESS THAN 60° TO HORIZONTAL WHEN LIFTING	
40c <input type="checkbox"/> TO ALL EDGES <input type="checkbox"/> FACES (UNO)	
Area (m ²)	1.55
Vol (m ³)	0.29
Wt. (t)	0.72
MPa	40MPa
FINISH	FRONT FACE URBAN DESIGN PANEL FINISH/ BUBBLE EFFECT FINISH
NO: OFF	1

REV.	DATE	DESCRIPTION	DRAWN	APPROVED
0	28/11/2018	ISSUED FOR CONSTRUCTION	JM	

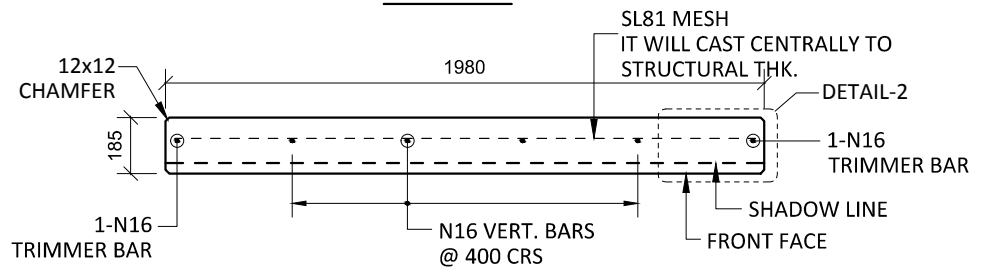
Contractor	Job	Project	Title	COPYRIGHT RESERVED	Drawn	JM	Date	28/11/2018	Lot No. 163A
Designer	NORTHERN BEACHES COUNCIL NORTHERN BEACHES HOSPITAL CONNECTIVITY AND NETWORK ENHANCEMENT		ONE 2000 - STAGE 2 2SL-01-EB PRECAST FASCIA PANEL F1-4		Checked	HP	Scale (A3)	1:10 1:25	



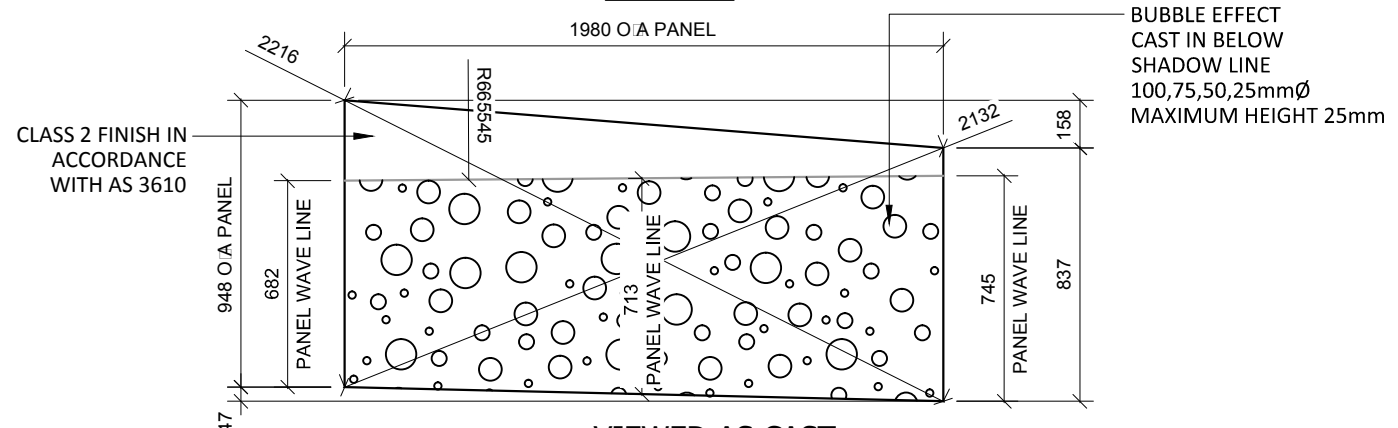
F1-5 PLAN AS CAST - 150/185 THK
SCALE :- 1:25 SL81 MESH NOT SHOWN FOR CLARITY



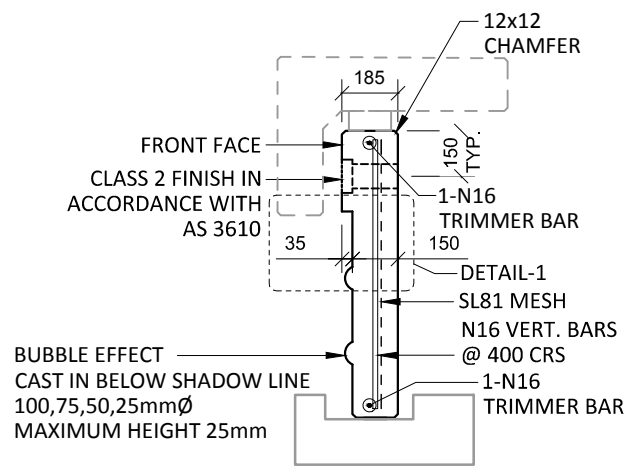
SECTION B-B
SCALE :- 1:25



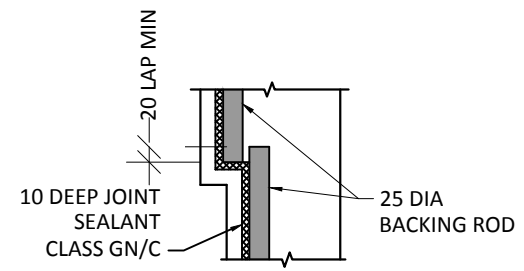
SECTION C-C
SCALE :- 1:25



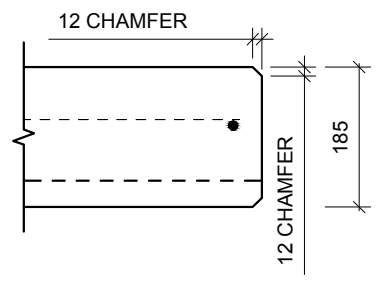
VIEWED AS CAST
SCALE :- 1:25



SECTION A-A
SCALE :- 1:25



DETAIL-1
SCALE :- 1:10



DETAIL-2
SCALE :- 1:10

NOTES.
CONCRETE

- CONCRETE SHALL HAVE A MIN. 28 DAY COMPRESSIVE STRENGTH OF 40MPa.
- PLACING AND CURING OF CONCRETE SHALL COMPLY WITH RMS D+C SPECIFICATION B80.
- ALL CORNERS SHALL HAVE 12mmx12mm FILLETS OR CHAMFERS - U.N.O. ON DRAWINGS.
- CONCRETE EXPOSURE CLASSIFICATION: B1 TO RMS D+C SPECIFICATION B80 UNO.
- CONCRETE MIX SHALL BE IN ACCORDANCE WITH RMS D+C SPECIFICATION B80.
- LIFTERS HDG & ALL FIXING ARE SS.

REINFORCING

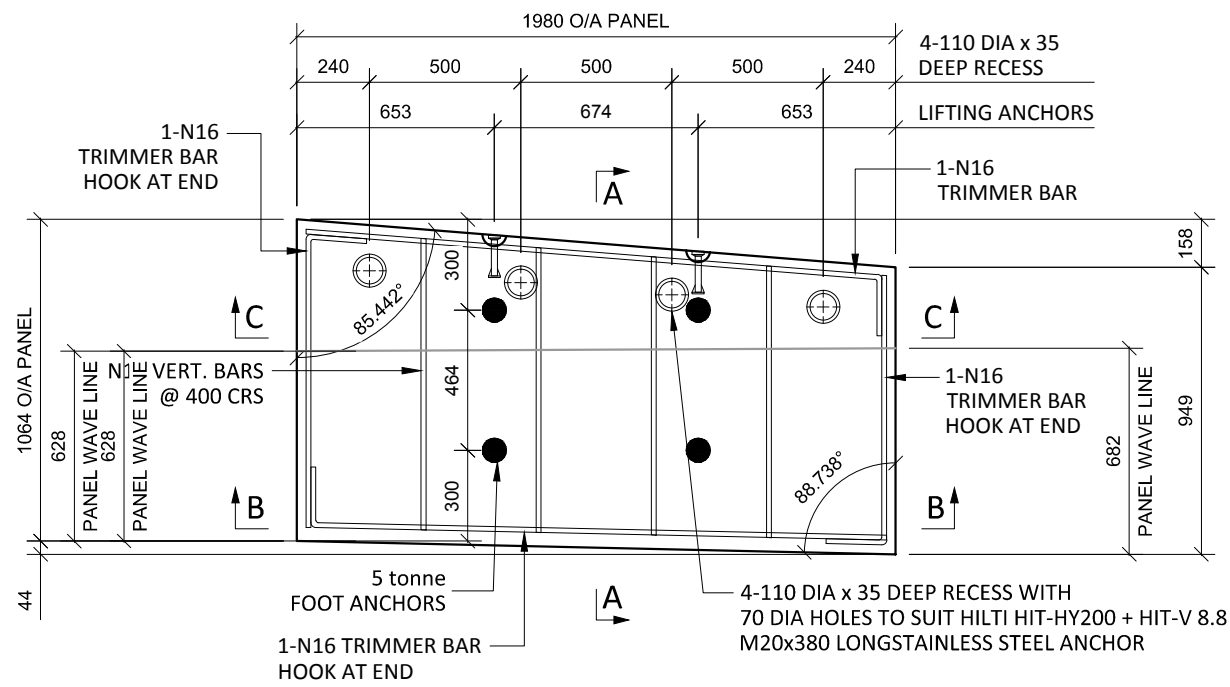
- COVER: 40mm U.O.N
- ALL REINFORCEMENT SHALL COMPLY WITH AS4671 GRADE D500N (TYPICAL).
- SPACING: TO BE TAKEN AS EVEN UNLESS NOTED OTHERWISE.
- BENDING: BAR BENDING & HOOK DETAILS SHALL BE IN ACCORDANCE WITH ASS100.5.
- WHERE REBATES OR RECESSES ARE REQUIRED, MIN. CLEAR COVER TO THE REINFORCEMENT SHALL BE MAINTAINED.
- N16 TRIMMER BARS TO BE PROVIDED ALL AROUND.
- REINFORCEMENT MAY BE SHOWN DIAGRAMMATICALLY AND MAY NOT NECESSARILY BE IN TRUE PROJECTION. THE MINIMUM LAPPED SPLICE FOR MESH SHALL BE MADE SO THAT THE OUTERMOST CROSS BARS OF ONE SHEET OVERLAP THE TWO OUTERMOST BARS CROSS BARS OF THE SHEET BEING LAPPED AS SHOWN BELOW.
- UNLESS OTHERWISE SPECIFIED, THE MINIMUM DEVELOPMENT LENGTHS AND LENGTHS OF LAPS SHALL BE AS FOLLOWS:

BAR SIZE:	N12	N16	N20	N24
a) HORIZONTAL BARS WITH >300mm OF CONCRETE CAST BELOW THE BAR	500	700	1000	1300
b) OTHER BARS	350	550	750	1000

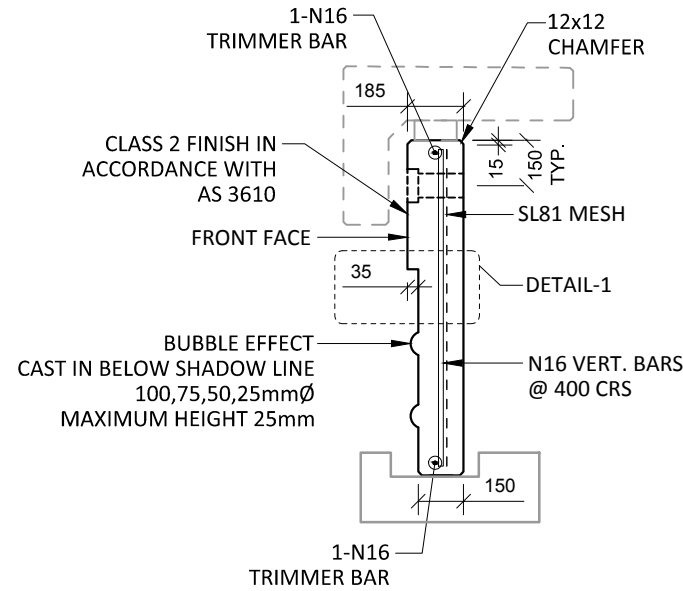
INSPECTION <input type="checkbox"/> TEST PLAN		
INSPECTED BY		
NAME OF FABRICATOR		
UNIT NO.		
CAST DATE		
CAST TIME		
CONCRETE DOCKET NO.		
CONCRETE SPECIF. (MPa)		
ITEM	FABRICATOR INITIAL	APPROVED Y / N
MOULD CLEANLINESS		
RELEASE OIL		
DIMENSIONS		
FORMWORK FIXED		
OPENING / REBATES CORRECT <input type="checkbox"/> POSITION		
HOLD POINT		
REINFORCING CORRECT		
LAPS <input type="checkbox"/> SPLICES CORRECT		
SPACING <input type="checkbox"/> COVER CORRECT		
HOLD POINT		
LIFTERS POSITIONED CORRECTLY		
CAST - IN ITEMS		
STARTERS <input type="checkbox"/> LACING BARS		
APPROVED FOR CASTING		
POST POUR INSPECTION		
INSPECTED BY		
DATE		
ITEM		APPROVED Y / N
SWIFTLIFTS POSITION		
SWIFTLIFTS RECESS CLEANED		
CAST-IN ITEMS CLEANED		
CONCRETE FINISH		
LABELLED (NUMBER / DATED)		
DAMAGE (CRACKS / CHIPPING)		
CLEANLINESS		
ANY ACTION REQUIRED: URBAN DESIGN PANEL FINISH/ BUBBLE EFFECT FINISH		
APPROVED FOR DISPATCH		
SLING ANGLE TO BE NOT LESS THAN 60° TO HORIZONTAL WHEN LIFTING		
40c <input type="checkbox"/> TO ALL EDGES <input type="checkbox"/> FACES (UNO)		
Area (m ²)	1.76	
Vol (m ³)	0.27	
Wt. (t)	0.69	
MPa	40MPa	
FINISH	FRONT FACE URBAN DESIGN PANEL FINISH/ BUBBLE EFFECT FINISH	
NO: OFF	1	

REV.	DATE	DESCRIPTION	DRAWN	APPROVED
0	28/11/2018	ISSUED FOR CONSTRUCTION	NG	

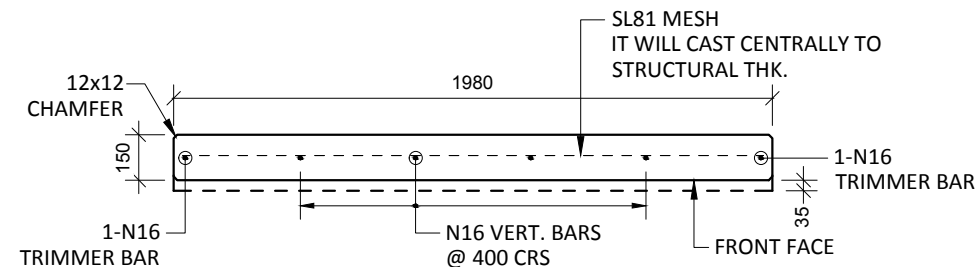
Contractor	Job	Project	Title	DRAWN	NG	Date	28/11/2018	Lot No.	163A



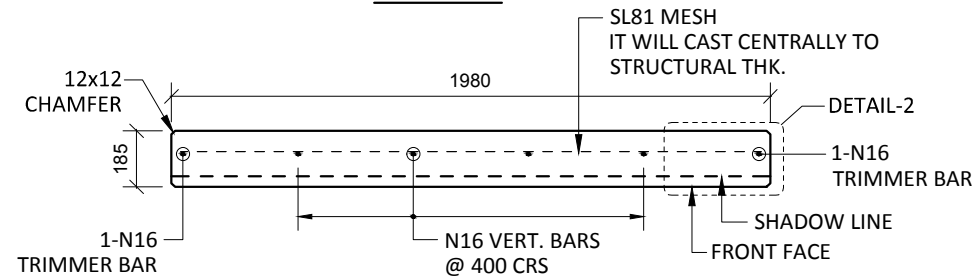
F1-6 PLAN AS CAST - 150/185 THK
SCALE :- 1:25 SL81 MESH NOT SHOWN FOR CLARITY



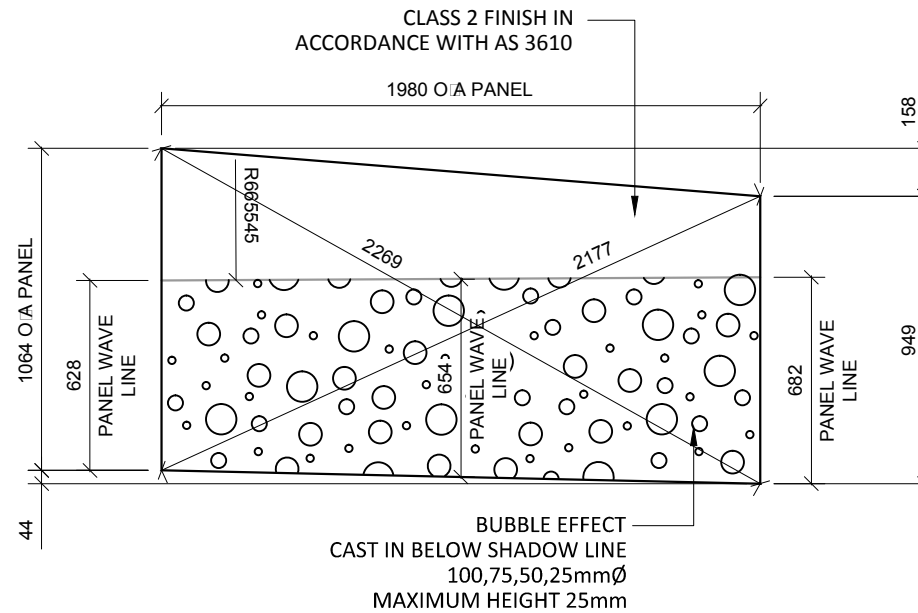
SECTION A-A
SCALE :- 1:25



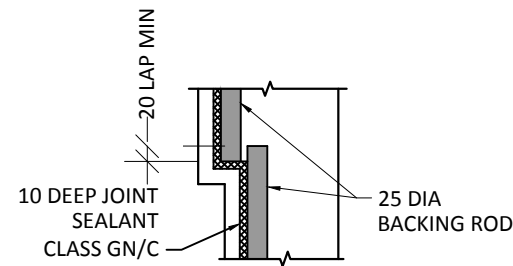
SECTION B-B
SCALE :- 1:25



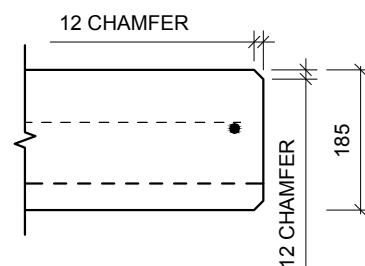
SECTION C-C
SCALE :- 1:25



VIEWED AS CAST
SCALE :- 1:25



DETAIL-1
SCALE :- 1:10



DETAIL-2
SCALE :- 1:10

NOTES.
CONCRETE

- CONCRETE SHALL HAVE A MIN. 28 DAY COMPRESSIVE STRENGTH OF 40MPa.
- PLACING AND CURING OF CONCRETE SHALL COMPLY WITH RMS D+C SPECIFICATION B80.
- ALL CORNERS SHALL HAVE 12mmx12mm FILLETS OR CHAMFERS - U.N.O. ON DRAWINGS.
- CONCRETE EXPOSURE CLASSIFICATION: B1 TO RMS D+C SPECIFICATION B80 UNO.
- CONCRETE MIX SHALL BE IN ACCORDANCE WITH RMS D+C SPECIFICATION B80.
- LIFTERS HDG & ALL FIXING ARE SS.

REINFORCING

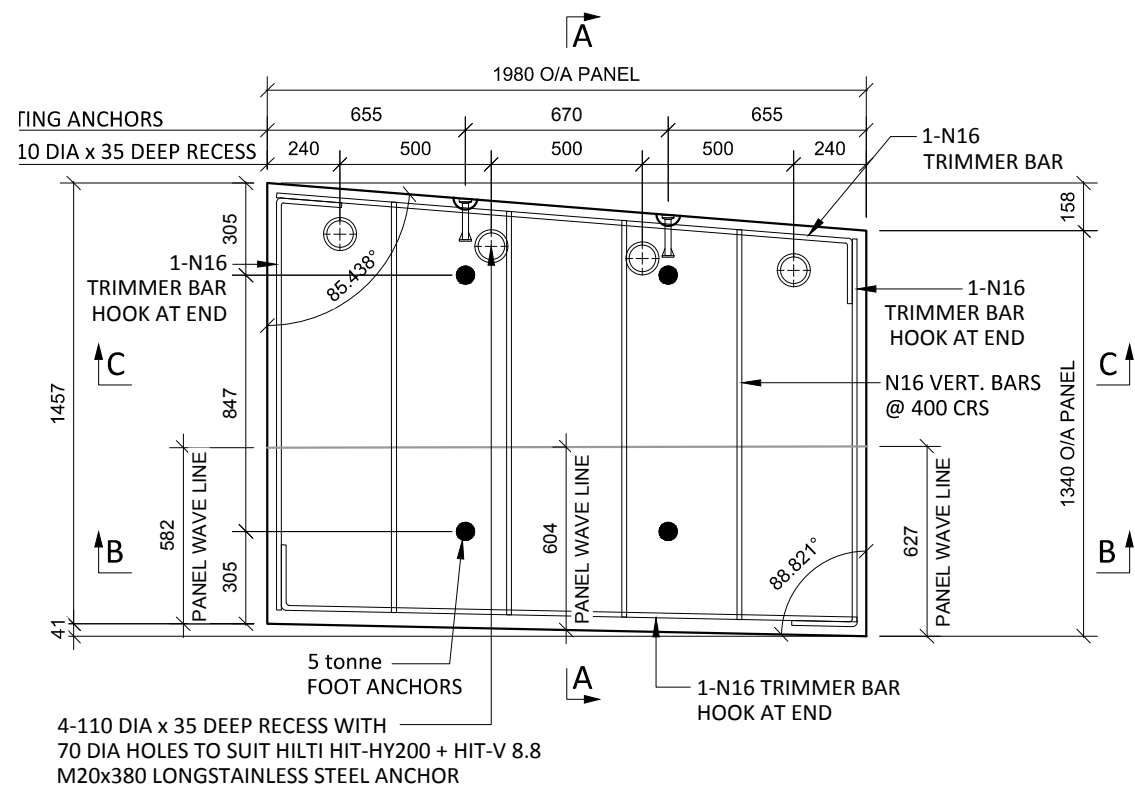
- COVER: 40mm U.O.N
- ALL REINFORCEMENT SHALL COMPLY WITH AS4671 GRADE D500N (TYPICAL).
- SPACING: TO BE TAKEN AS EVEN UNLESS NOTED OTHERWISE.
- BENDING: BAR BENDING & HOOK DETAILS SHALL BE IN ACCORDANCE WITH AS5100.5.
- WHERE REBATES OR RECESSES ARE REQUIRED, MIN. CLEAR COVER TO THE REINFORCEMENT SHALL BE MAINTAINED.
- N16 TRIMMER BARS TO BE PROVIDED ALL AROUND.
- REINFORCEMENT MAY BE SHOWN DIAGRAMMATICALLY AND MAY NOT NECESSARILY BE IN TRUE PROJECTION. THE MINIMUM LAPPED SPLICE FOR MESH SHALL BE MADE SO THAT THE OUTERMOST CROSS BARS OF ONE SHEET OVERLAP THE TWO OUTERMOST BARS CROSS BARS OF THE SHEET BEING LAPPED AS SHOWN BELOW.
- UNLESS OTHERWISE SPECIFIED, THE MINIMUM DEVELOPMENT LENGTHS AND LENGTHS OF LAPS SHALL BE AS FOLLOWS:

BAR SIZE:	N12	N16	N20	N24
a) HORIZONTAL BARS WITH >300mm OF CONCRETE CAST BELOW THE BAR	500	700	1000	1300
b) OTHER BARS	350	550	750	1000

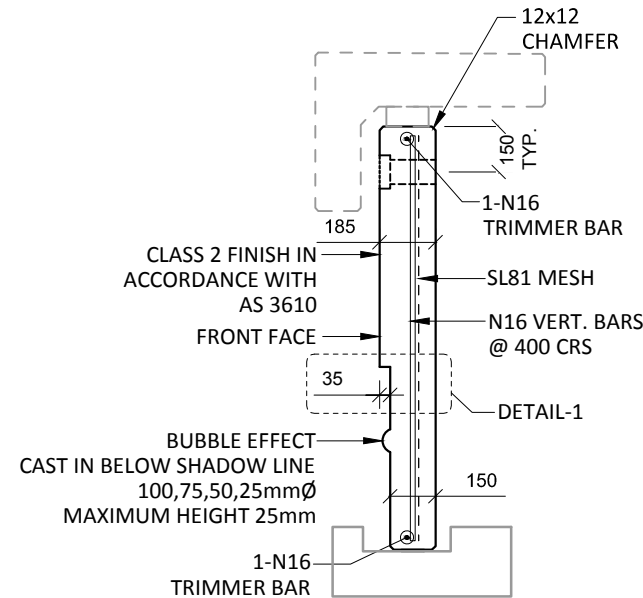
INSPECTION <input type="checkbox"/> TEST PLAN		
INSPECTED BY		
NAME OF FABRICATOR		
UNIT NO.		
CAST DATE		
CAST TIME		
CONCRETE DOCKET NO.		
CONCRETE SPECIF. (MPa)		
ITEM	FABRICATOR INITIAL	APPROVED Y / N
MOULD CLEANLINESS		
RELEASE OIL		
DIMENSIONS		
FORMWORK FIXED		
OPENING / REBATES CORRECT <input type="checkbox"/> POSITION		
HOLD POINT		
REINFORCING CORRECT		
LAPS <input type="checkbox"/> SPLICES CORRECT		
SPACING <input type="checkbox"/> COVER CORRECT		
HOLD POINT		
LIFTERS POSITIONED CORRECTLY		
CAST - IN ITEMS		
STARTERS/PLACING BARS		
APPROVED FOR CASTING		
POST POUR INSPECTION		
INSPECTED BY		
DATE		
ITEM	APPROVED Y / N	
SWIFTLIFTS POSITION		
SWIFTLIFTS RECESS CLEANED		
CAST-IN ITEMS CLEANED		
CONCRETE FINISH		
LABELLED (NUMBER / DATED)		
DAMAGE (CRACKS / CHIPPING)		
CLEANLINESS		
ANY ACTION REQUIRED: URBAN DESIGN PANEL FINISH/ BUBBLE EFFECT FINISH		
APPROVED FOR DISPATCH		
SLING ANGLE TO BE NOT LESS THAN 60° TO HORIZONTAL WHEN LIFTING		
40c TO ALL EDGES <input type="checkbox"/> FACES (UNO)		
Area (m ²)	1.99	
Vol (m ³)	0.32	
Wt. (t)	0.81	
MPa	40MPa	
FINISH	FRONT FACE URBAN DESIGN PANEL FINISH/ BUBBLE EFFECT FINISH	
NO: OFF	1	

REV.	DATE	DESCRIPTION	DRAWN	APPROVED
0	28/11/2018	ISSUED FOR CONSTRUCTION	JM	

Contractor	Job	Project	Title	COPYRIGHT RESERVED	Drawn	JM	Date	28/11/2018	Lot No. 163A
Designer	NORTHERN BEACHES COUNCIL NORTHERN BEACHES HOSPITAL CONNECTIVITY AND NETWORK ENHANCEMENT		ONE 2000 - STAGE 2 2SL-01-EB PRECAST FASCIA PANEL F1-6		Checked	NP	Scale (A3)	1:10 1:25	



F1-7 PLAN AS CAST - 150/185 THK
SCALE :- 1:25 SL81 MESH NOT SHOWN FOR CLARITY



SECTION A-A
SCALE :- 1:25

NOTES.

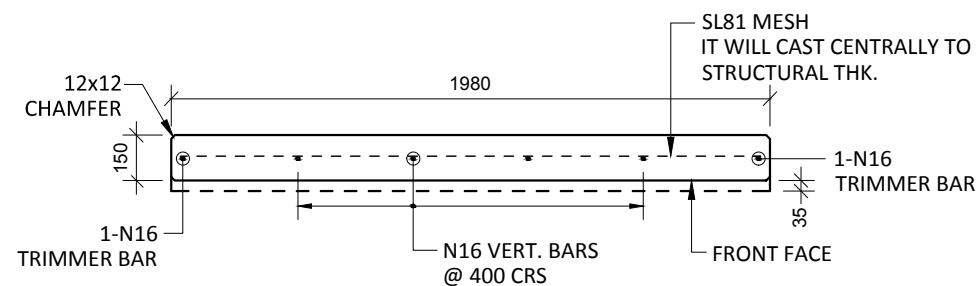
CONCRETE

- CONCRETE SHALL HAVE A MIN. 28 DAY COMPRESSIVE STRENGTH OF 40MPa.
- PLACING AND CURING OF CONCRETE SHALL COMPLY WITH RMS D+C SPECIFICATION B80.
- ALL CORNERS SHALL HAVE 12mmx12mm FILLETS OR CHAMFERS - U.N.O. ON DRAWINGS.
- CONCRETE EXPOSURE CLASSIFICATION: B1 TO RMS D+C SPECIFICATION B80 UNO.
- CONCRETE MIX SHALL BE IN ACCORDANCE WITH RMS D+C SPECIFICATION B80.
- LIFTERS HDG & ALL FIXING ARE SS.

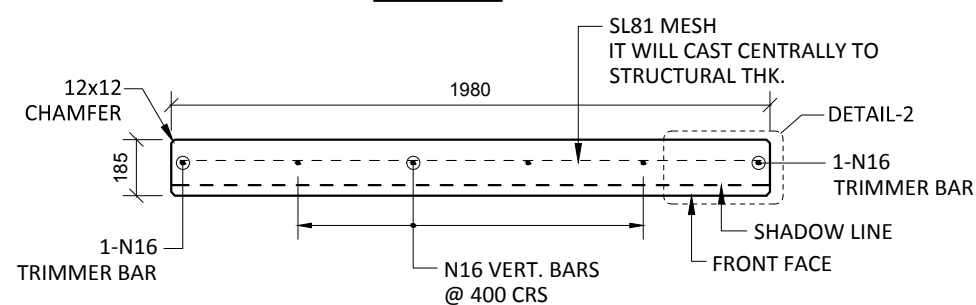
REINFORCING

- COVER: 40mm U.O.N
- ALL REINFORCEMENT SHALL COMPLY WITH AS4671 GRADE D500N (TYPICAL).
- SPACING: TO BE TAKEN AS EVEN UNLESS NOTED OTHERWISE.
- BENDING: BAR BENDING & HOOK DETAILS SHALL BE IN ACCORDANCE WITH ASS100.5.
- WHERE REBATES OR RECESSES ARE REQUIRED, MIN. CLEAR COVER TO THE REINFORCEMENT SHALL BE MAINTAINED.
- N16 TRIMMER BARS TO BE PROVIDED ALL AROUND.
- REINFORCEMENT MAY BE SHOWN DIAGRAMMATICALLY AND MAY NOT NECESSARILY BE IN TRUE PROJECTION. THE MINIMUM LAPPED SPLICE FOR MESH SHALL BE MADE SO THAT THE OUTERMOST CROSS BARS OF ONE SHEET OVERLAP THE TWO OUTERMOST BARS CROSS BARS OF THE SHEET BEING LAPPED AS SHOWN BELOW.
- UNLESS OTHERWISE SPECIFIED, THE MINIMUM DEVELOPMENT LENGTHS AND LENGTHS OF LAPS SHALL BE AS FOLLOWS:

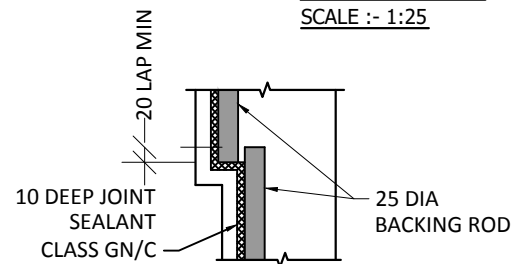
BAR SIZE:	N12	N16	N20	N24
a) HORIZONTAL BARS WITH >300mm OF CONCRETE CAST BELOW THE BAR	500	700	1000	1300
b) OTHER BARS	350	550	750	1000



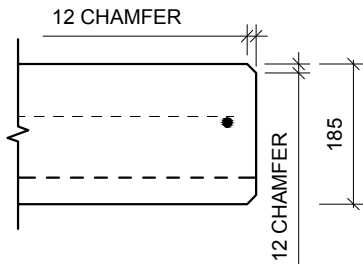
SECTION B-B
SCALE :- 1:25



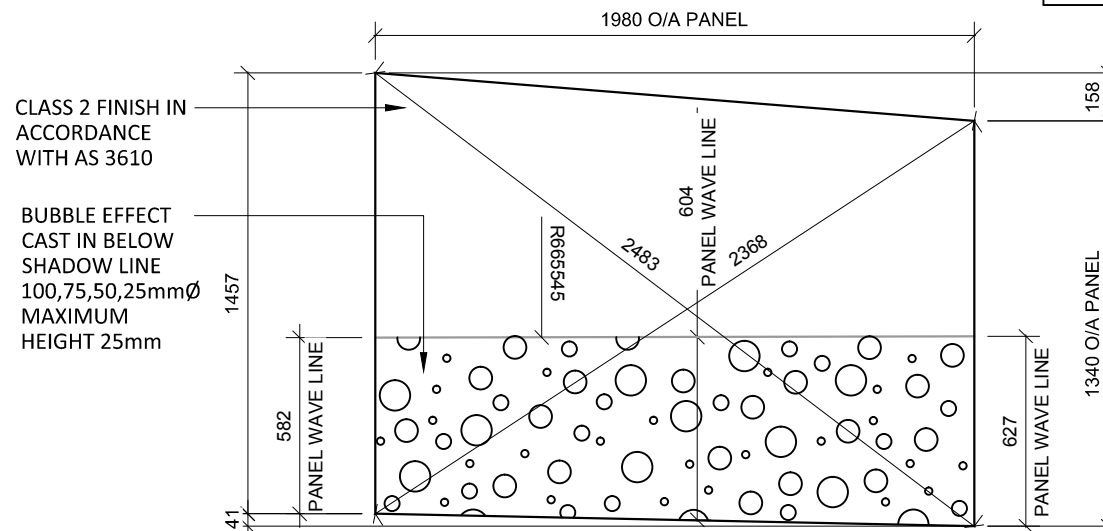
SECTION C-C
SCALE :- 1:25



DETAIL-1
SCALE :- 1:10



DETAIL-2
SCALE :- 1:10

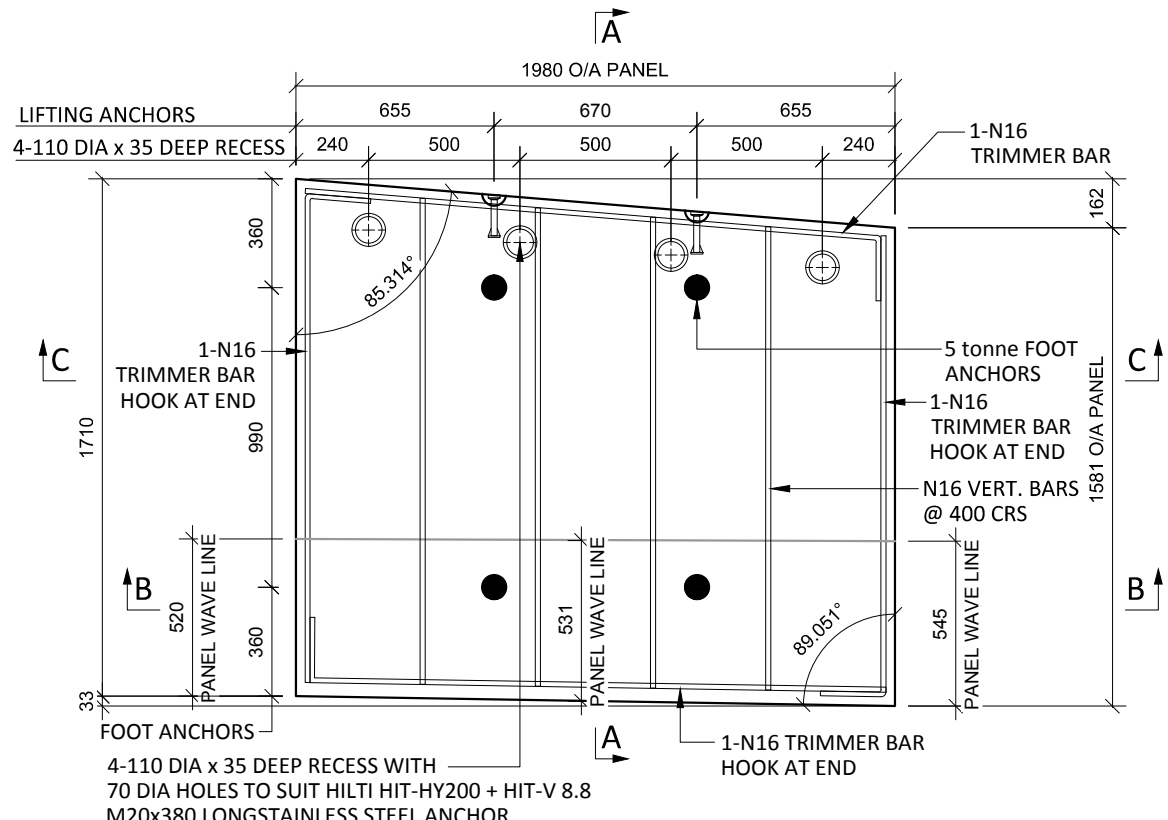


VIEWED AS CAST
SCALE :- 1:25

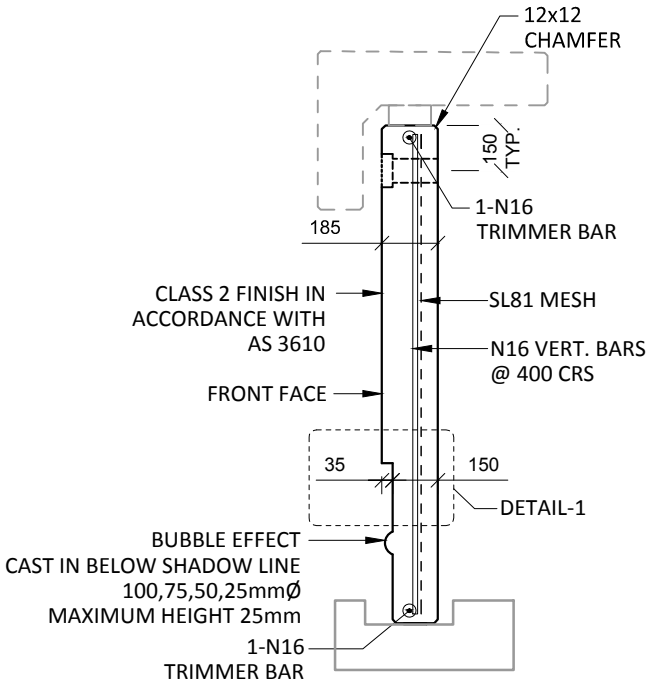
INSPECTION <input type="checkbox"/> TEST PLAN	
INSPECTED BY	
NAME OF FABRICATOR	
UNIT NO.	
CAST DATE	
CAST TIME	
CONCRETE DOCKET NO.	
CONCRETE SPECIF. (MPa)	
ITEM	FABRICATOR APPROVED INITIAL Y / N
MOULD CLEANLINESS	
RELEASE OIL	
DIMENSIONS	
FORMWORK FIXED	
OPENING / REBATES CORRECT <input type="checkbox"/> POSITION	
HOLD POINT	
REINFORCING CORRECT	
LAPS <input type="checkbox"/> SPLICES CORRECT	
SPACING <input type="checkbox"/> COVER CORRECT	
HOLD POINT	
LIFTERS POSITIONED CORRECTLY	
CAST - IN ITEMS	
STARTERS/PLACING BARS	
APPROVED FOR CASTING	
POST POUR INSPECTION	
INSPECTED BY	
DATE	
ITEM	APPROVED Y / N
SWIFTLIFTS POSITION	
SWIFTLIFTS RECESS CLEANED	
CAST-IN ITEMS CLEANED	
CONCRETE FINISH	
LABELLED (NUMBER / DATED)	
DAMAGE (CRACKS / CHIPPING)	
CLEANLINESS	
ANY ACTION REQUIRED: URBAN DESIGN PANEL FINISH/ BUBBLE EFFECT FINISH	
APPROVED FOR DISPATCH	
SLING ANGLE TO BE NOT LESS THAN 60° TO HORIZONTAL WHEN LIFTING	
40c TO ALL EDGES <input type="checkbox"/> FACES (UNO)	
Area (m ²)	2.76
Vol (m ³)	0.47
Wt. (t)	1.17
MPa	40MPa
FINISH	FRONT FACE URBAN DESIGN PANEL FINISH/ BUBBLE EFFECT FINISH
NO: OFF	1

REV.	DATE	DESCRIPTION	DRAWN	APPROVED
0	28/11/2018	ISSUED FOR CONSTRUCTION	NG	

Contractor	Job	Project	Title	COPYRIGHT RESERVED	Drawn	NG	Date	28/11/2018	Lot No.	163A
Designer	NORTHERN BEACHES COUNCIL NORTHERN BEACHES HOSPITAL CONNECTIVITY AND NETWORK ENHANCEMENT		ONE 2000 - STAGE 2 2SL-01-EB PRECAST FASCIA PANEL F1-7		Checked	HP	Scale (A3)	1:10 1:25	P- F1-7	Dwg No.



F1-9 PLAN AS CAST - 150/185 THK
SCALE :- 1:25 SL81 MESH NOT SHOWN FOR CLARITY



SECTION A-A
SCALE :- 1:25

- NOTES.**
CONCRETE
- CONCRETE SHALL HAVE A MIN. 28 DAY COMPRESSIVE STRENGTH OF 40MPa.
 - PLACING AND CURING OF CONCRETE SHALL COMPLY WITH RMS D+C SPECIFICATION B80.
 - ALL CORNERS SHALL HAVE 12mmx12mm FILLETS OR CHAMFERS - U.N.O. ON DRAWINGS.
 - CONCRETE EXPOSURE CLASSIFICATION: B1 TO RMS D+C SPECIFICATION B80 UNO.
 - CONCRETE MIX SHALL BE IN ACCORDANCE WITH RMS D+C SPECIFICATION B80.
 - LIFTERS HDG & ALL FIXING ARE SS.

- REINFORCING**
- COVER: 40mm U.O.N
 - ALL REINFORCEMENT SHALL COMPLY WITH AS4671 GRADE D500N (TYPICAL).
 - SPACING: TO BE TAKEN AS EVEN UNLESS NOTED OTHERWISE.
 - BENDING: BAR BENDING & HOOK DETAILS SHALL BE IN ACCORDANCE WITH AS5100.5.
 - WHERE REBATES OR RECESSES ARE REQUIRED, MIN. CLEAR COVER TO THE REINFORCEMENT SHALL BE MAINTAINED.
 - N16 TRIMMER BARS TO BE PROVIDED ALL AROUND.
 - REINFORCEMENT MAY BE SHOWN DIAGRAMMATICALLY AND MAY NOT NECESSARILY BE IN TRUE PROJECTION. THE MINIMUM LAPPED SPLICE FOR MESH SHALL BE MADE SO THAT THE OUTERMOST CROSS BARS OF ONE SHEET OVERLAP THE TWO OUTERMOST BARS CROSS BARS OF THE SHEET BEING LAPPED AS SHOWN BELOW.
 - UNLESS OTHERWISE SPECIFIED, THE MINIMUM DEVELOPMENT LENGTHS AND LENGTHS OF LAPS SHALL BE AS FOLLOWS:

BAR SIZE:	N12	N16	N20	N24
a) HORIZONTAL BARS WITH >300mm OF CONCRETE CAST BELOW THE BAR	500	700	1000	1300
b) OTHER BARS	350	550	750	1000

INSPECTION <input type="checkbox"/> TEST PLAN	
INSPECTED BY	
NAME OF FABRICATOR	
UNIT NO.	
CAST DATE	
CAST TIME	
CONCRETE DOCKET NO.	
CONCRETE SPECIF. (MPa)	

ITEM	FABRICATOR INITIAL	APPROVED Y / N
MOULD CLEANLINESS		
RELEASE OIL		
DIMENSIONS		
FORMWORK FIXED		
OPENING / REBATES CORRECT <input type="checkbox"/> POSITION		
HOLD POINT		
REINFORCING CORRECT		
LAPS <input type="checkbox"/> SPLICES CORRECT		
SPACING <input type="checkbox"/> COVER CORRECT		
HOLD POINT		
LIFTERS POSITIONED CORRECTLY		
CAST - IN ITEMS		
STARTERS <input type="checkbox"/> LACING BARS		
APPROVED FOR CASTING		

POST POUR INSPECTION	
INSPECTED BY	
DATE	

ITEM	APPROVED Y / N
SWIFTLIFTS POSITION	
SWIFTLIFTS RECESS CLEANED	
CAST-IN ITEMS CLEANED	
CONCRETE FINISH	
LABELLED (NUMBER / DATED)	
DAMAGE (CRACKS / CHIPPING)	
CLEANLINESS	

ANY ACTION REQUIRED:
URBAN DESIGN PANEL FINISH/
BUBBLE EFFECT FINISH

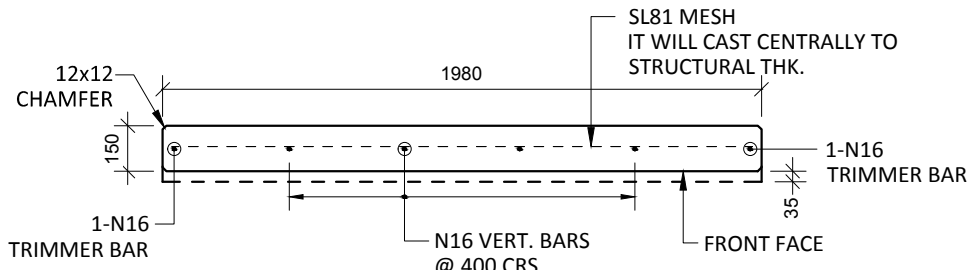
APPROVED FOR DISPATCH

SLING ANGLE TO BE NOT LESS THAN 60° TO HORIZONTAL WHEN LIFTING

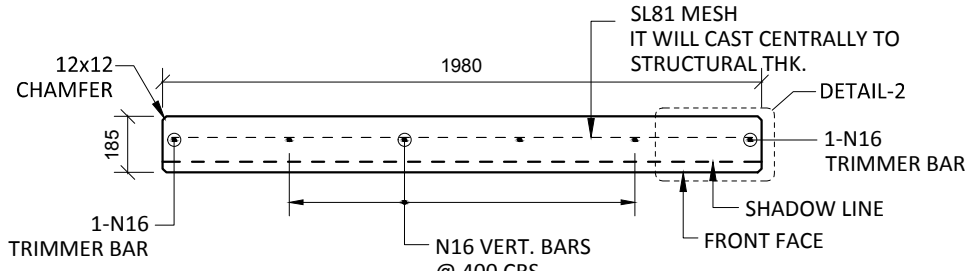
40c TO ALL EDGES FACES (UNO)

Area (m ²)	3.25
Vol (m ³)	0.56
Wt. (t)	1.41
MPa	40MPa
FINISH	FRONT FACE URBAN DESIGN PANEL FINISH/ BUBBLE EFFECT FINISH
NO: OFF	1

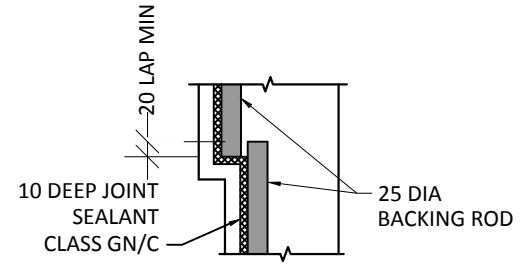
REV.	DATE	DESCRIPTION	DRAWN	APPROVED
0	28/11/2018	ISSUED FOR CONSTRUCTION	NG	



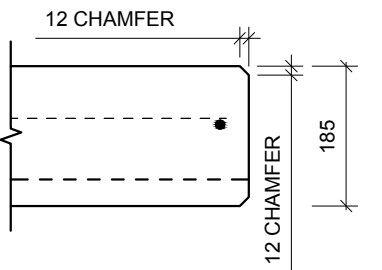
SECTION B-B
SCALE :- 1:25



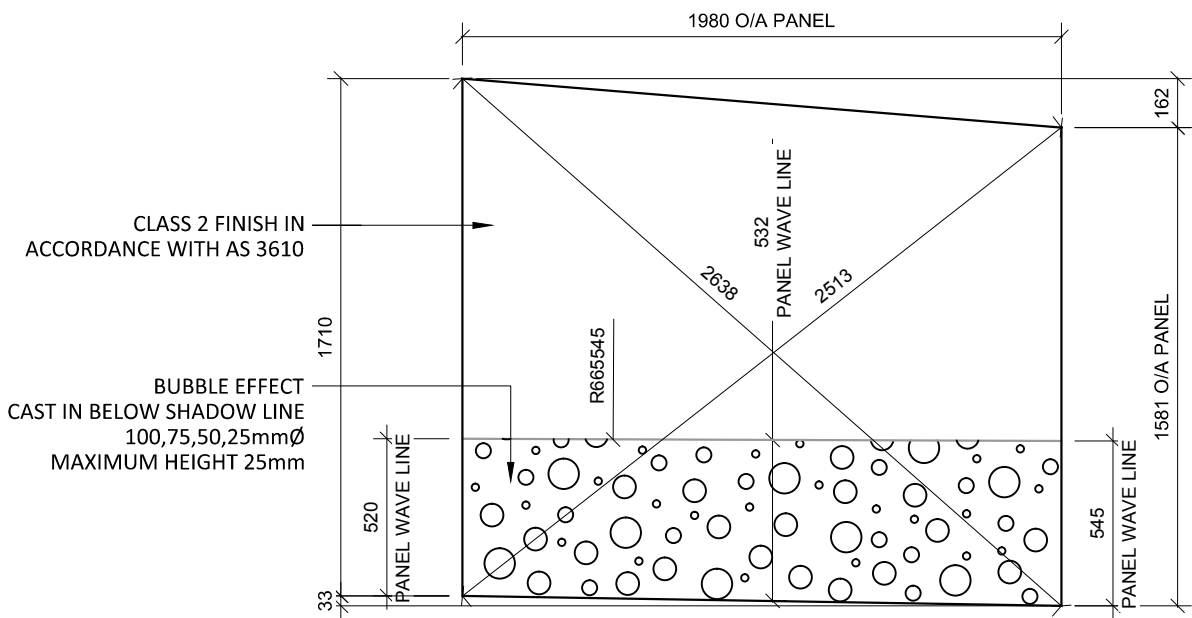
SECTION C-C
SCALE :- 1:25



DETAIL-1
SCALE :- 1:10

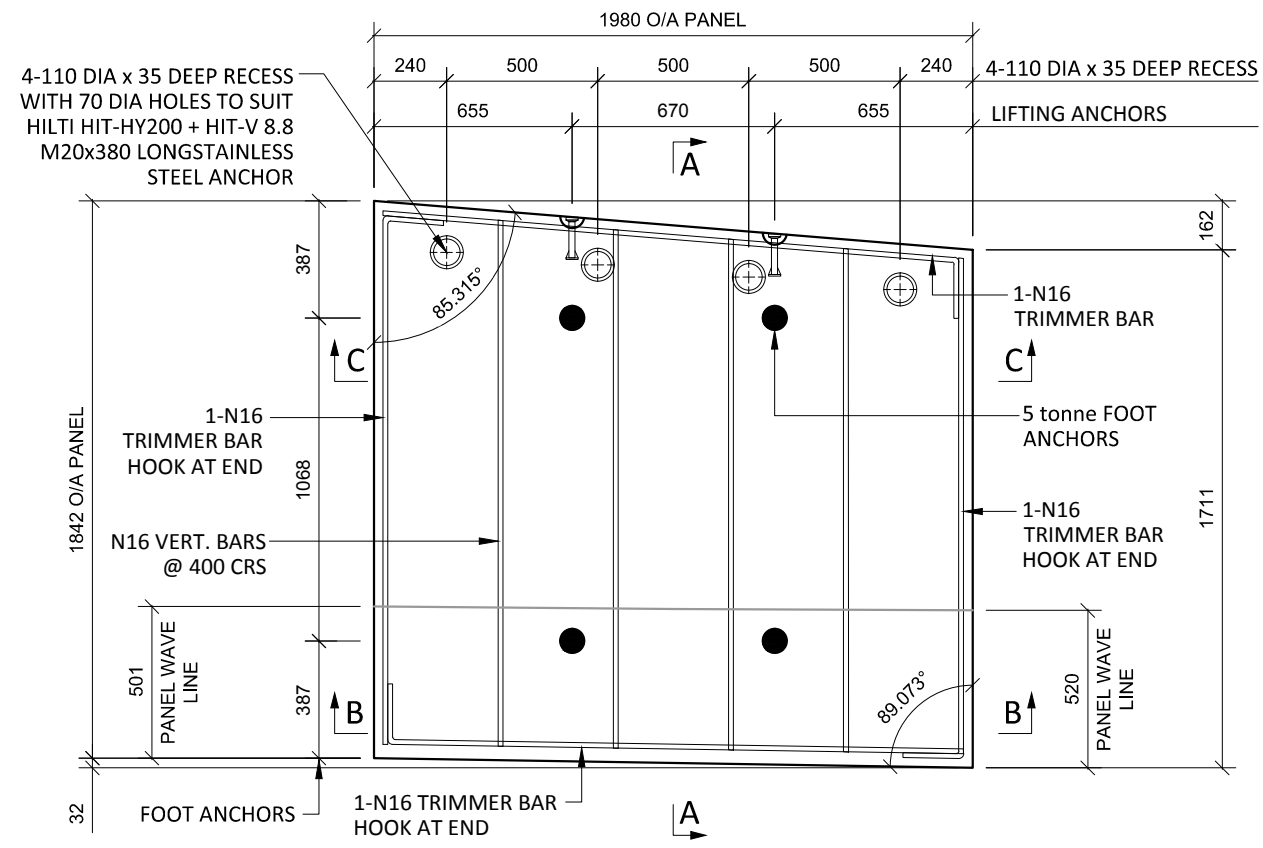


DETAIL-2
SCALE :- 1:10

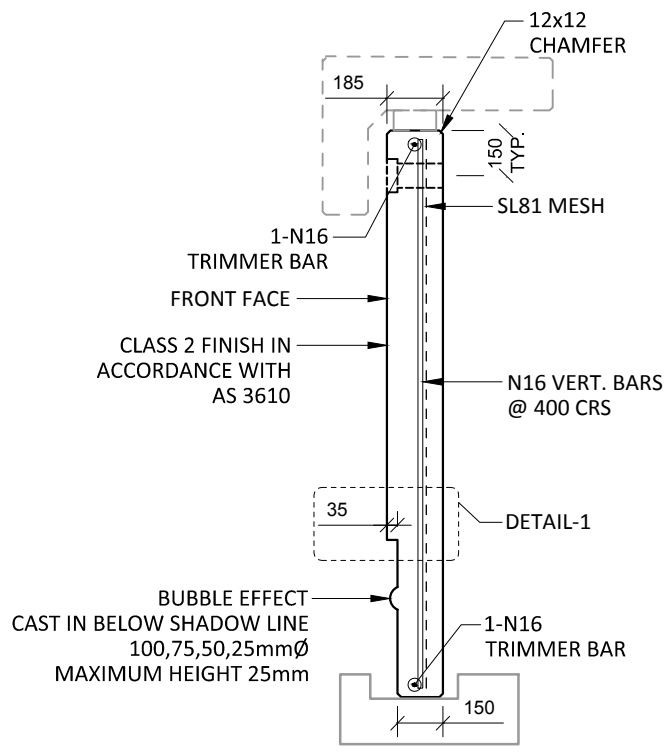


VIEWED AS CAST
SCALE :- 1:25

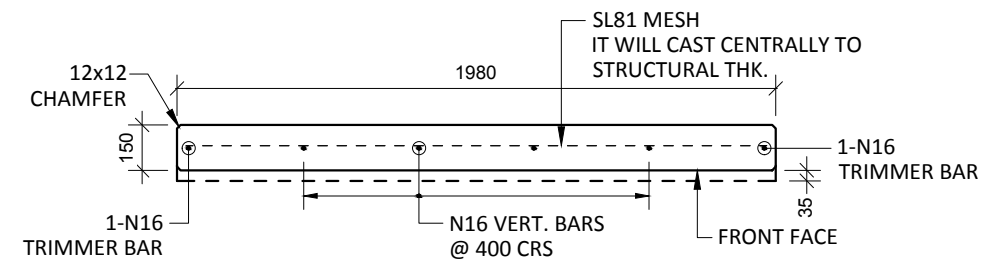
Contractor	Job	Project	Title	COPYRIGHT RESERVED	Drawn	NG	Date	28/11/2018	Lot No. 163A
Designer	NORTHERN BEACHES COUNCIL NORTHERN BEACHES HOSPITAL CONNECTIVITY AND NETWORK ENHANCEMENT		ONE 2000 - STAGE 2 2SL-01-EB PRECAST FASCIA PANEL F1-9		Checked	HP	Scale (A3)	1:10 1:25	



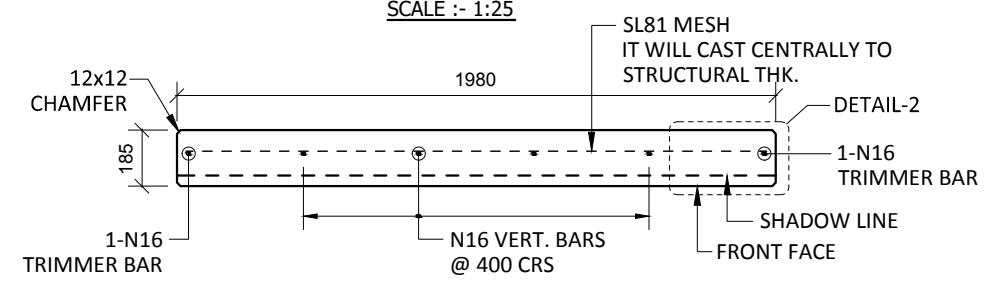
F1-10 PLAN AS CAST - 150/185 THK
 SCALE :- 1:25 SL81 MESH NOT SHOWN FOR CLARITY



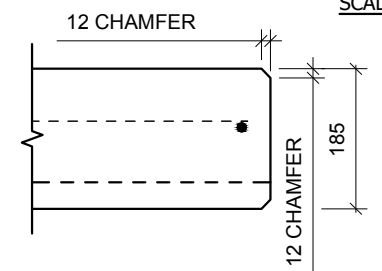
SECTION A-A
 SCALE :- 1:25



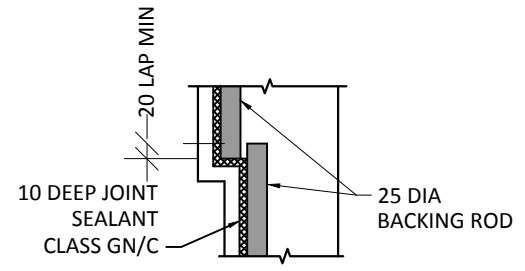
SECTION B-B
 SCALE :- 1:25



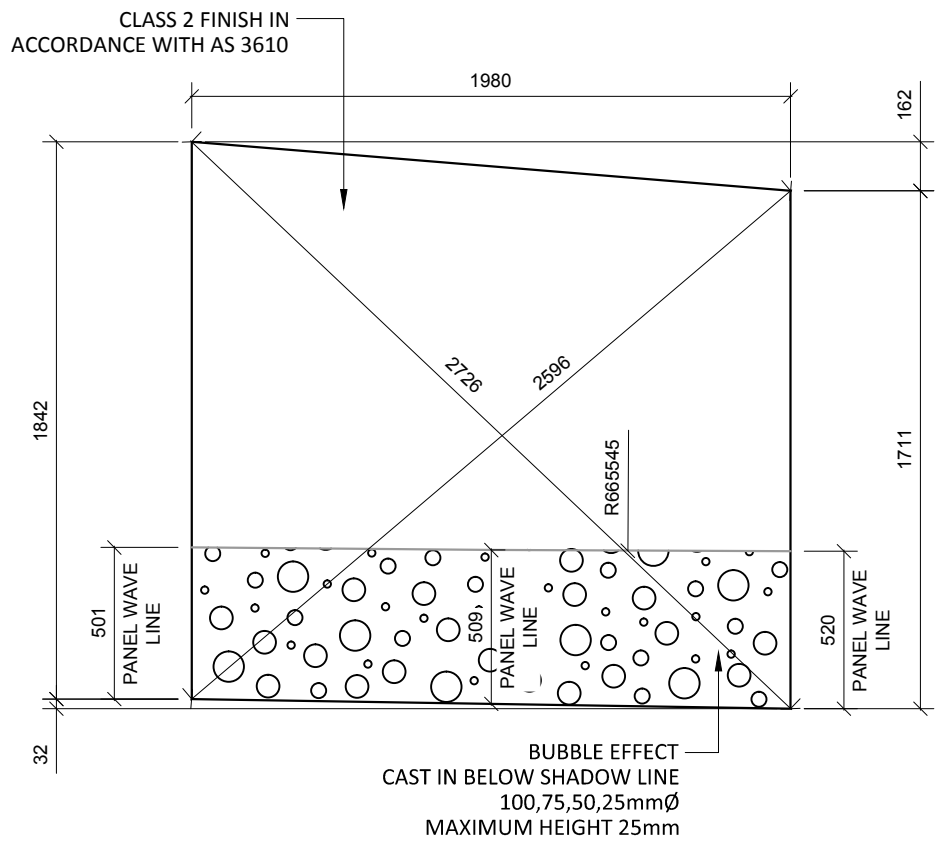
SECTION C-C
 SCALE :- 1:25



DETAIL-2
 SCALE :- 1:10



DETAIL-1
 SCALE :- 1:10



VIEWED AS CAST
 SCALE :- 1:25

NOTES.
CONCRETE

- CONCRETE SHALL HAVE A MIN. 28 DAY COMPRESSIVE STRENGTH OF 40MPa.
- PLACING AND CURING OF CONCRETE SHALL COMPLY WITH RMS D+C SPECIFICATION B80.
- ALL CORNERS SHALL HAVE 12mmx12mm FILLETS OR CHAMFERS - U.N.O. ON DRAWINGS.
- CONCRETE EXPOSURE CLASSIFICATION: B1 TO RMS D+C SPECIFICATION B80 UNO.
- CONCRETE MIX SHALL BE IN ACCORDANCE WITH RMS D+C SPECIFICATION B80.
- LIFTERS HDG & ALL FIXING ARE SS.

REINFORCING

- COVER: 40mm U.O.N
- ALL REINFORCEMENT SHALL COMPLY WITH AS4671 GRADE D500N (TYPICAL).
- SPACING: TO BE TAKEN AS EVEN UNLESS NOTED OTHERWISE.
- BENDING: BAR BENDING & HOOK DETAILS SHALL BE IN ACCORDANCE WITH AS5100.5.
- WHERE REBATES OR RECESSES ARE REQUIRED, MIN. CLEAR COVER TO THE REINFORCEMENT SHALL BE MAINTAINED.
- N16 TRIMMER BARS TO BE PROVIDED ALL AROUND.
- REINFORCEMENT MAY BE SHOWN DIAGRAMMATICALLY AND MAY NOT NECESSARILY BE IN TRUE PROJECTION.
- THE MINIMUM LAPPED SPLICE FOR MESH SHALL BE MADE SO THAT THE OUTERMOST CROSS BARS OF ONE SHEET OVERLAP THE TWO OUTERMOST BARS CROSS BARS OF THE SHEET BEING LAPPED AS SHOWN BELOW.
- UNLESS OTHERWISE SPECIFIED, THE MINIMUM DEVELOPMENT LENGTHS AND LENGTHS OF LAPS SHALL BE AS FOLLOWS:

BAR SIZE:	N12	N16	N20	N24
a) HORIZONTAL BARS WITH >300mm OF CONCRETE CAST BELOW THE BAR	500	700	1000	1300
b) OTHER BARS	350	550	750	1000

INSPECTION TEST PLAN

INSPECTED BY	
NAME OF FABRICATOR	
UNIT NO.	
CAST DATE	
CAST TIME	
CONCRETE DOCKET NO.	
CONCRETE SPECIF. (MPa)	

ITEM	FABRICATOR INITIAL	APPROVED Y / N
MOULD CLEANLINESS		
RELEASE OIL		
DIMENSIONS		
FORMWORK FIXED		
OPENING / REBATES CORRECT POSITION		
HOLD POINT		
REINFORCING CORRECT		
LAPS SPLICES CORRECT		
SPACING COVER CORRECT		
HOLD POINT		
LIFTERS POSITIONED CORRECTLY		
CAST - IN ITEMS		
STARTERS/LACING BARS		
APPROVED FOR CASTING		

POST POUR INSPECTION

INSPECTED BY	
DATE	
ITEM	APPROVED Y / N
SWIFTLIFTS POSITION	
SWIFTLIFTS RECESS CLEANED	
CAST-IN ITEMS CLEANED	
CONCRETE FINISH	
LABELLED (NUMBER / DATED)	
DAMAGE (CRACKS / CHIPPING)	
CLEANLINESS	

ANY ACTION REQUIRED:
 URBAN DESIGN PANEL FINISH/
 BUBBLE EFFECT FINISH

APPROVED FOR DISPATCH

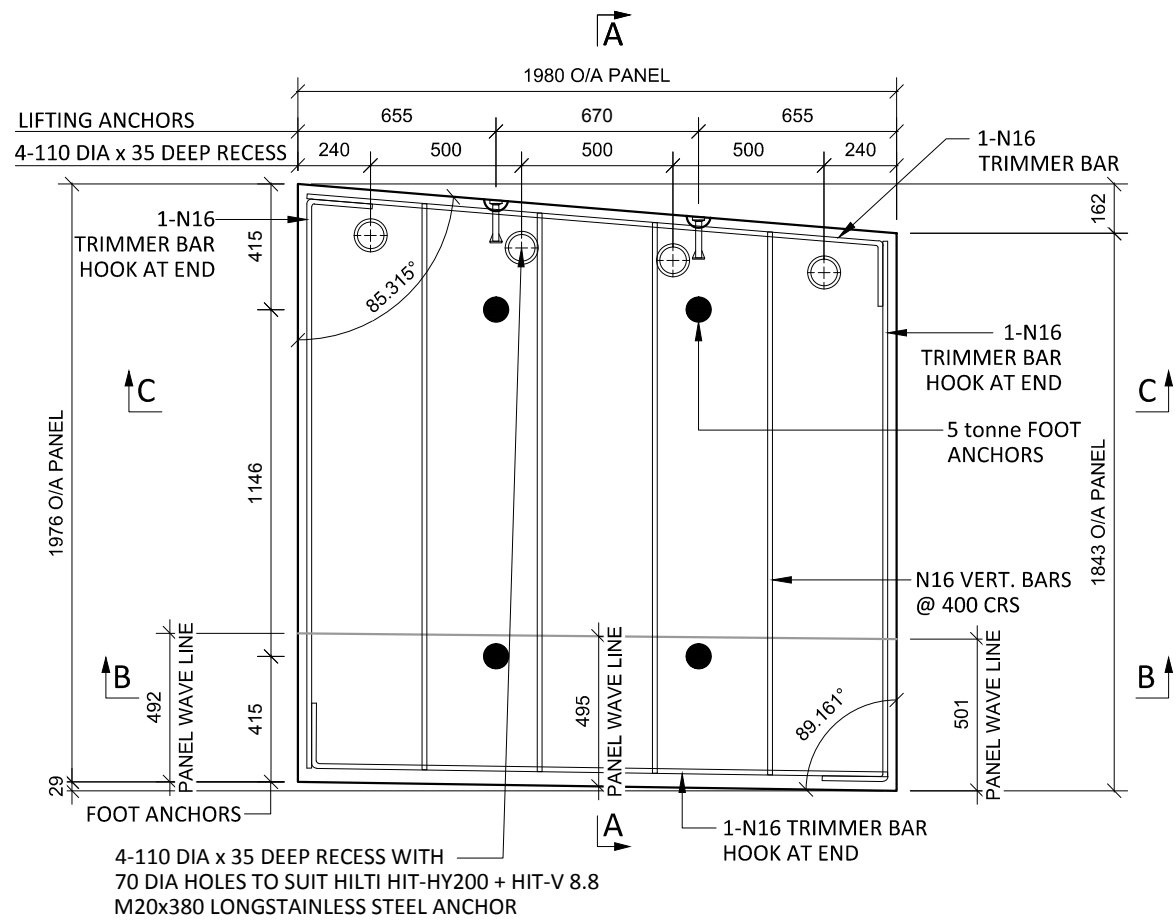
SLING ANGLE TO BE NOT LESS THAN 60° TO HORIZONTAL WHEN LIFTING

40c TO ALL EDGES FACES (UNO)

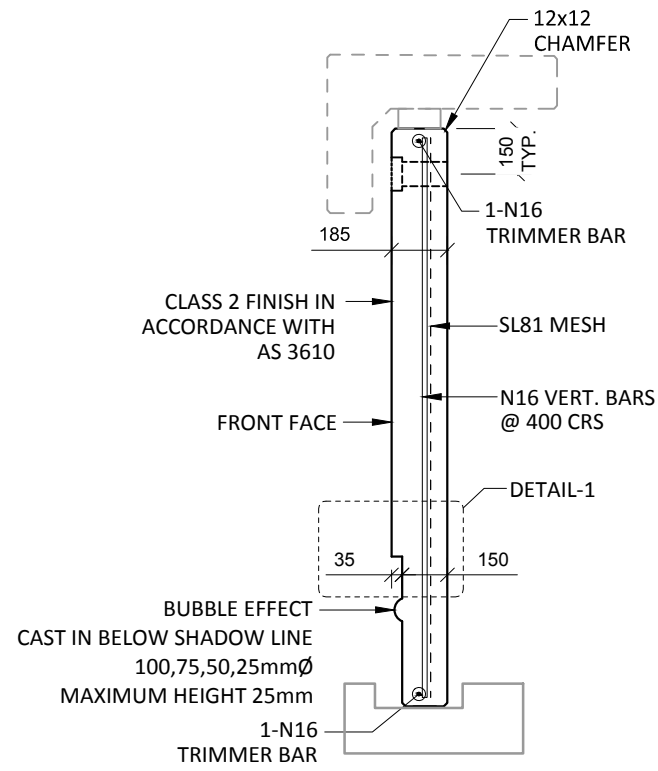
Area (m ²)	3.52
Vol (m ³)	0.62
Wt. (t)	1.54
MPa	40MPa
FINISH	FRONT FACE URBAN DESIGN PANEL FINISH/ BUBBLE EFFECT FINISH
NO: OFF	1

REV.	DATE	DESCRIPTION	DRAWN	APPROVED
0	28/11/2018	ISSUED FOR CONSTRUCTION	JM	

Contractor	Job	Project	Title	COPYRIGHT RESERVED	Drawn	JM	Date	28/11/2018	Lot No. 163A
Designer	NORTHERN BEACHES COUNCIL NORTHERN BEACHES HOSPITAL CONNECTIVITY AND NETWORK ENHANCEMENT		ONE 2000 - STAGE 2 2SL-01-EB PRECAST FASCIA PANEL F1-10		Checked	HP	Scale (A3)	1:25 1:10	



F1-11 PLAN AS CAST - 150/185 THK
SCALE :- 1:25 SL81 MESH NOT SHOWN FOR CLARITY



SECTION A-A
SCALE :- 1:25

NOTES.

CONCRETE

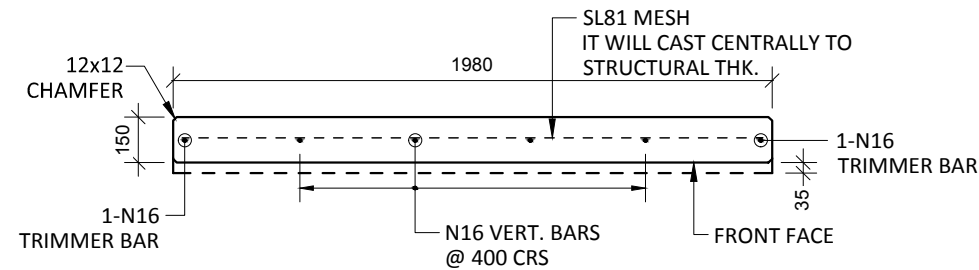
- CONCRETE SHALL HAVE A MIN. 28 DAY COMPRESSIVE STRENGTH OF 40MPa.
- PLACING AND CURING OF CONCRETE SHALL COMPLY WITH RMS D+C SPECIFICATION B80.
- ALL CORNERS SHALL HAVE 12mmx12mm FILLETS OR CHAMFERS - U.N.O. ON DRAWINGS.
- CONCRETE EXPOSURE CLASSIFICATION: B1 TO RMS D+C SPECIFICATION B80 UNO.
- CONCRETE MIX SHALL BE IN ACCORDANCE WITH RMS D+C SPECIFICATION B80.
- LIFTERS HDG & ALL FIXING ARE SS.

REINFORCING

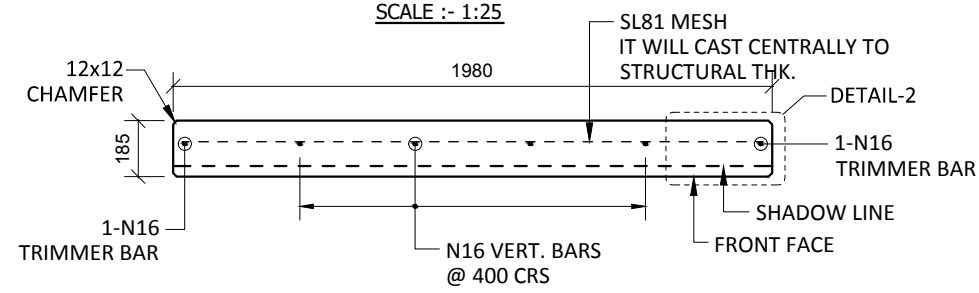
- COVER: 40mm U.O.N
- ALL REINFORCEMENT SHALL COMPLY WITH AS4671 GRADE D500N (TYPICAL).
- SPACING: TO BE TAKEN AS EVEN UNLESS NOTED OTHERWISE.
- BENDING: BAR BENDING & HOOK DETAILS SHALL BE IN ACCORDANCE WITH AS5100.5.
- WHERE REBATES OR RECESSES ARE REQUIRED, MIN. CLEAR COVER TO THE REINFORCEMENT SHALL BE MAINTAINED.
- N16 TRIMMER BARS TO BE PROVIDED ALL AROUND. REINFORCEMENT MAY BE SHOWN DIAGMATICALLY AND MAY NOT NECESSARILY BE IN TRUE PROJECTION. THE MINIMUM LAPPED SPLICE FOR MESH SHALL BE MADE SO THAT THE OUTERMOST CROSS BARS OF ONE SHEET OVERLAP THE TWO OUTERMOST BARS CROSS BARS OF THE SHEET BEING LAPPED AS SHOWN BELOW.
- UNLESS OTHERWISE SPECIFIED, THE MINIMUM DEVELOPMENT LENGTHS AND LENGTHS OF LAPS SHALL BE AS FOLLOWS:



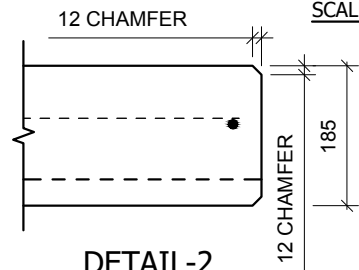
BAR SIZE:	N12	N16	N20	N24
a) HORIZONTAL BARS WITH >300mm OF CONCRETE CAST BELOW THE BAR	500	700	1000	1300
b) OTHER BARS	350	550	750	1000



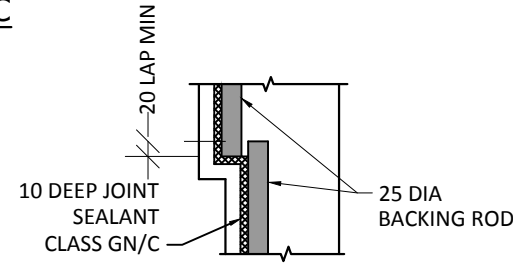
SECTION B-B
SCALE :- 1:25



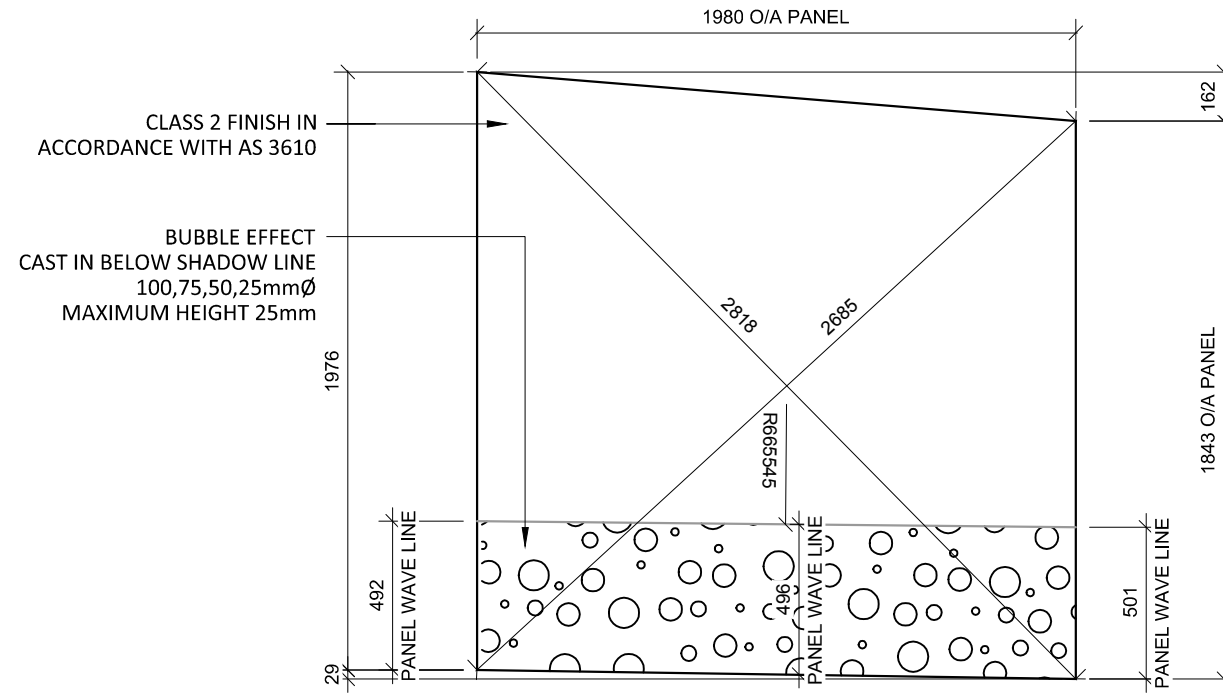
SECTION C-C
SCALE :- 1:25



DETAIL-2
SCALE :- 1:10



DETAIL-1
SCALE :- 1:10

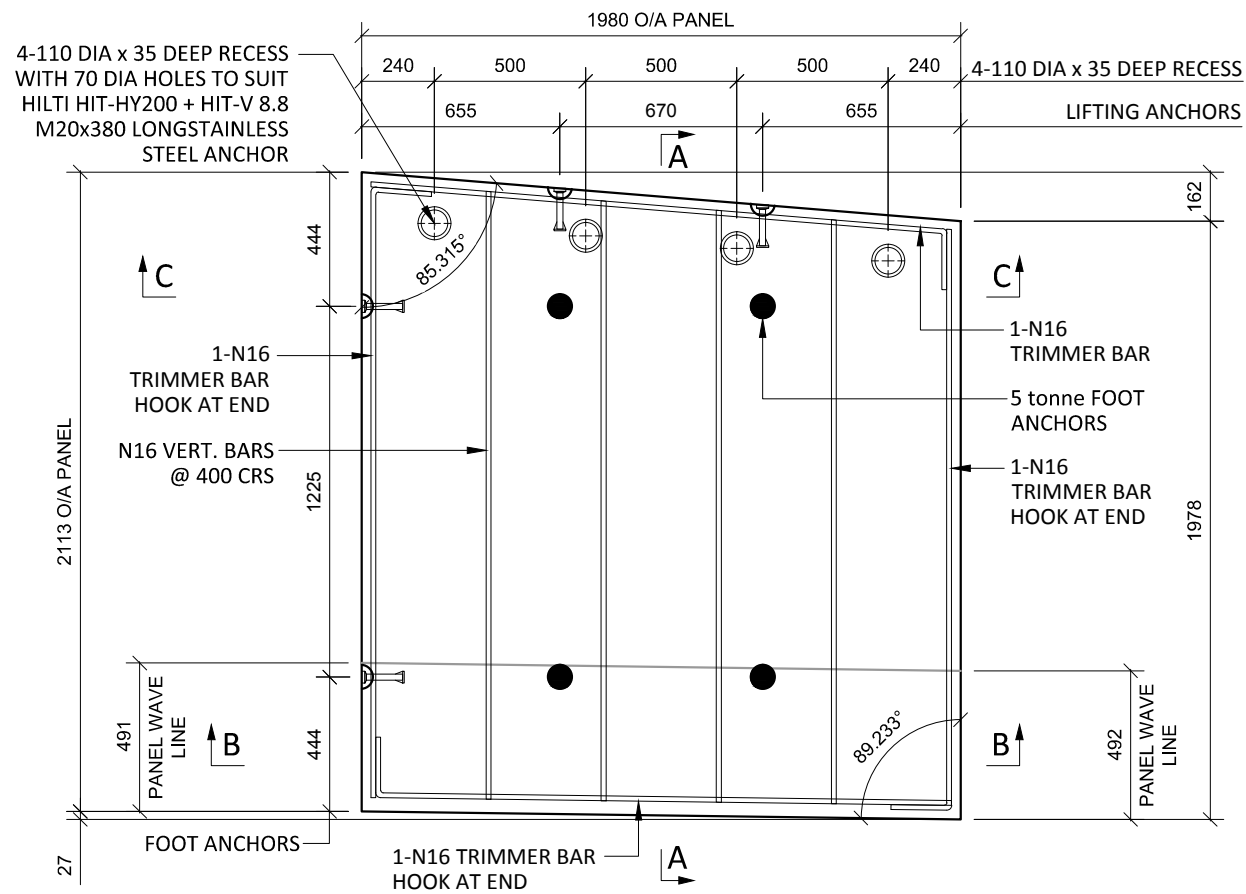


VIEWED AS CAST

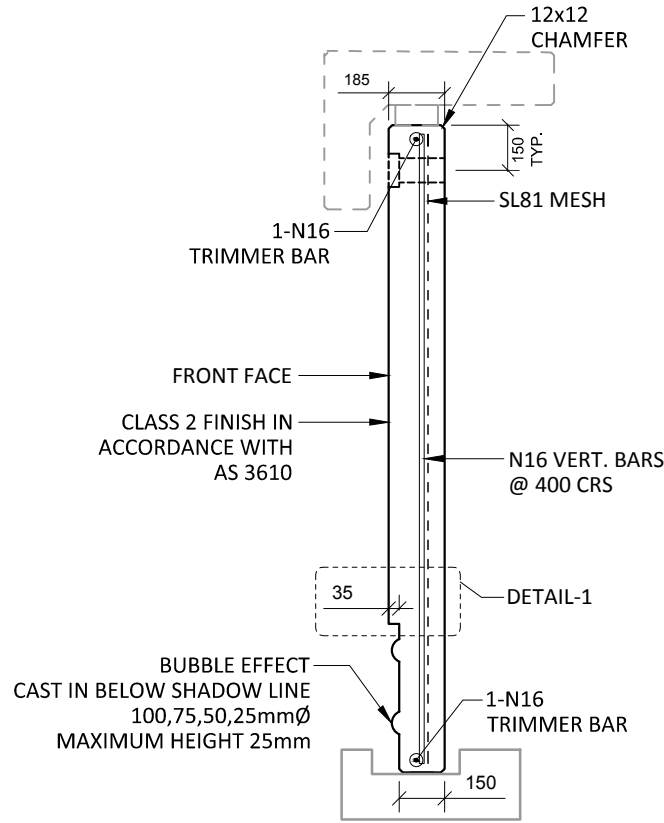
INSPECTION <input type="checkbox"/> TEST PLAN	
INSPECTED BY	
NAME OF FABRICATOR	
UNIT NO.	
CAST DATE	
CAST TIME	
CONCRETE DOCKET NO.	
CONCRETE SPECIF. (MPa)	
ITEM	FABRICATOR APPROVED INITIAL Y / N
MOULD CLEANLINESS	
RELEASE OIL	
DIMENSIONS	
FORMWORK FIXED	
OPENING / REBATES CORRECT <input type="checkbox"/> POSITION	
HOLD POINT	
REINFORCING CORRECT	
LAPS <input type="checkbox"/> SPLICES CORRECT	
SPACING <input type="checkbox"/> COVER CORRECT	
HOLD POINT	
LIFTERS POSITIONED CORRECTLY	
CAST - IN ITEMS	
STARTERS <input type="checkbox"/> LACING BARS	
APPROVED FOR CASTING	
POST POUR INSPECTION	
INSPECTED BY	
DATE	
ITEM	APPROVED Y / N
SWIFTLIFTS POSITION	
SWIFTLIFTS RECESS CLEANED	
CAST-IN ITEMS CLEANED	
CONCRETE FINISH	
LABELLED (NUMBER / DATED)	
DAMAGE (CRACKS / CHIPPING)	
CLEANLINESS	
ANY ACTION REQUIRED: URBAN DESIGN PANEL FINISH/ BUBBLE EFFECT FINISH	
APPROVED FOR DISPATCH	
SLING ANGLE TO BE NOT LESS THAN 60° TO HORIZONTAL WHEN LIFTING	
40c TO ALL EDGES <input type="checkbox"/> FACES (UNO)	
Area (m ²)	3.78
Vol (m ³)	0.66
Wt. (t)	1.66
MPa	40MPa
FINISH	FRONT FACE URBAN DESIGN PANEL FINISH/ BUBBLE EFFECT FINISH
NO: OFF	1

REV.	DATE	DESCRIPTION	DRAWN	APPROVED
0	28/11/2018	ISSUED FOR CONSTRUCTION	NG	

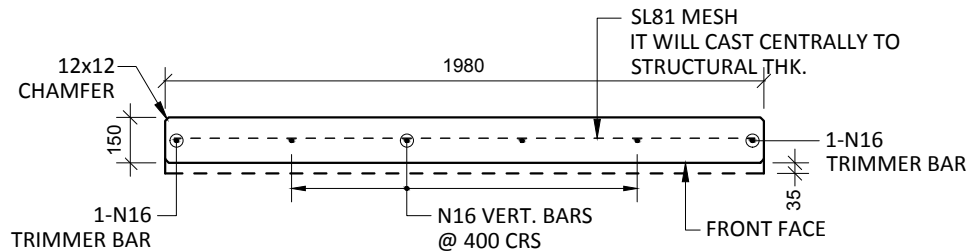
Contractor	Job	Project	Title	COPYRIGHT RESERVED	Drawn	NG	Date	28/11/2018	Lot No.	163A
Designer	NORTHERN BEACHES COUNCIL NORTHERN BEACHES HOSPITAL CONNECTIVITY AND NETWORK ENHANCEMENT		ONE 2000 - STAGE 2 2SL-01-EB PRECAST FASCIA PANEL F1-11		Checked	HP	Scale (A3)	1:10 1:25	P- F1-11	Dwg No.



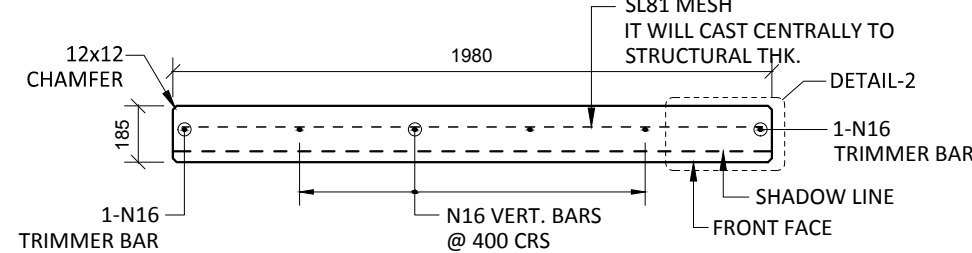
F1-12 PLAN AS CAST - 150/185 THK
SCALE :- 1:25 SL81 MESH NOT SHOWN FOR CLARITY



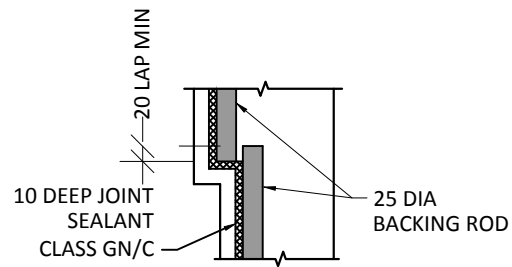
SECTION A-A
SCALE :- 1:25



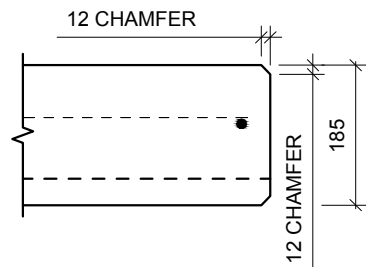
SECTION B-B
SCALE :- 1:25



SECTION C-C
SCALE :- 1:25



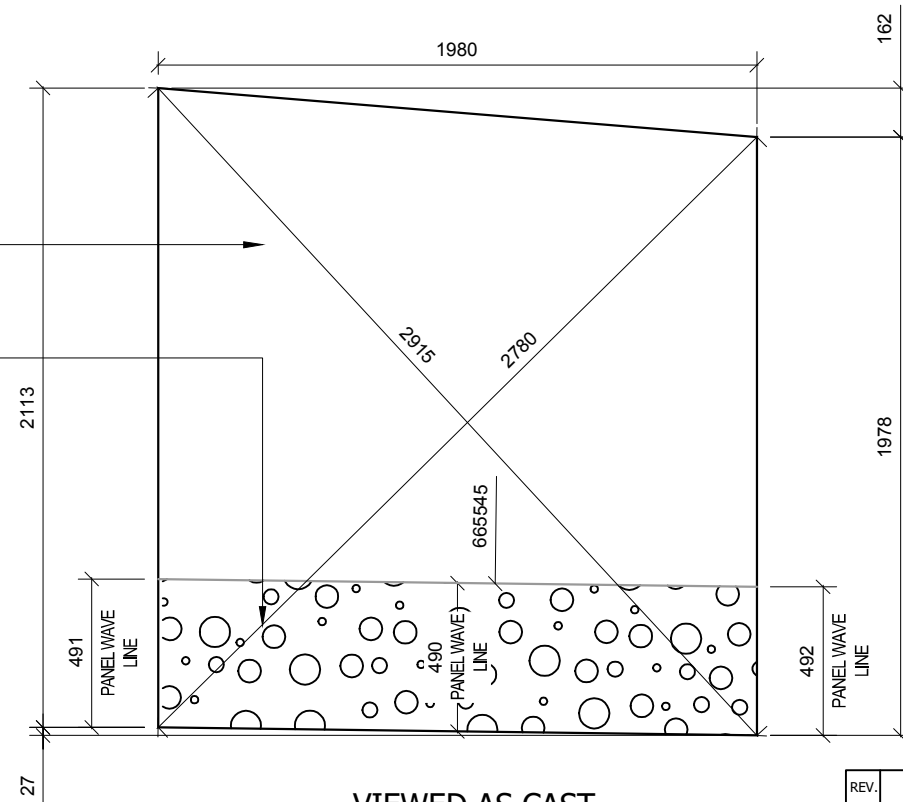
DETAIL-1
SCALE :- 1:10



DETAIL-2
SCALE :- 1:10

CLASS 2 FINISH IN ACCORDANCE WITH AS 3610

BUBBLE EFFECT CAST IN BELOW SHADOW LINE 100,75,50,25MMØ MAXIMUM HEIGHT 25MM



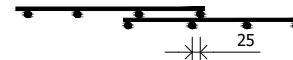
VIEWED AS CAST
SCALE :- 1:25

NOTES.
CONCRETE

- CONCRETE SHALL HAVE A MIN. 28 DAY COMPRESSIVE STRENGTH OF 40MPa.
- PLACING AND CURING OF CONCRETE SHALL COMPLY WITH RMS D+C SPECIFICATION B80.
- ALL CORNERS SHALL HAVE 12mmx12mm FILLETS OR CHAMFERS - U.N.O. ON DRAWINGS.
- CONCRETE EXPOSURE CLASSIFICATION: B1 TO RMS D+C SPECIFICATION B80 UNO.
- CONCRETE MIX SHALL BE IN ACCORDANCE WITH RMS D+C SPECIFICATION B80.
- LIFTERS HDG & ALL FIXING ARE SS.

REINFORCING

- COVER: 40mm U.O.N
- ALL REINFORCEMENT SHALL COMPLY WITH AS4671 GRADE D500N (TYPICAL).
- SPACING: TO BE TAKEN AS EVEN UNLESS NOTED OTHERWISE.
- BENDING: BAR BENDING & HOOK DETAILS SHALL BE IN ACCORDANCE WITH AS5100.5.
- WHERE REBATES OR RECESSES ARE REQUIRED, MIN. CLEAR COVER TO THE REINFORCEMENT SHALL BE MAINTAINED.
- N16 TRIMMER BARS TO BE PROVIDED ALL AROUND.
- REINFORCEMENT MAY BE SHOWN DIAGRAMMATICALLY AND MAY NOT NECESSARILY BE IN TRUE PROJECTION.
- THE MINIMUM LAPPED SPLICE FOR MESH SHALL BE MADE SO THAT THE OUTERMOST CROSS BARS OF ONE SHEET OVERLAP THE TWO OUTERMOST BARS CROSS BARS OF THE SHEET BEING LAPPED AS SHOWN BELOW.



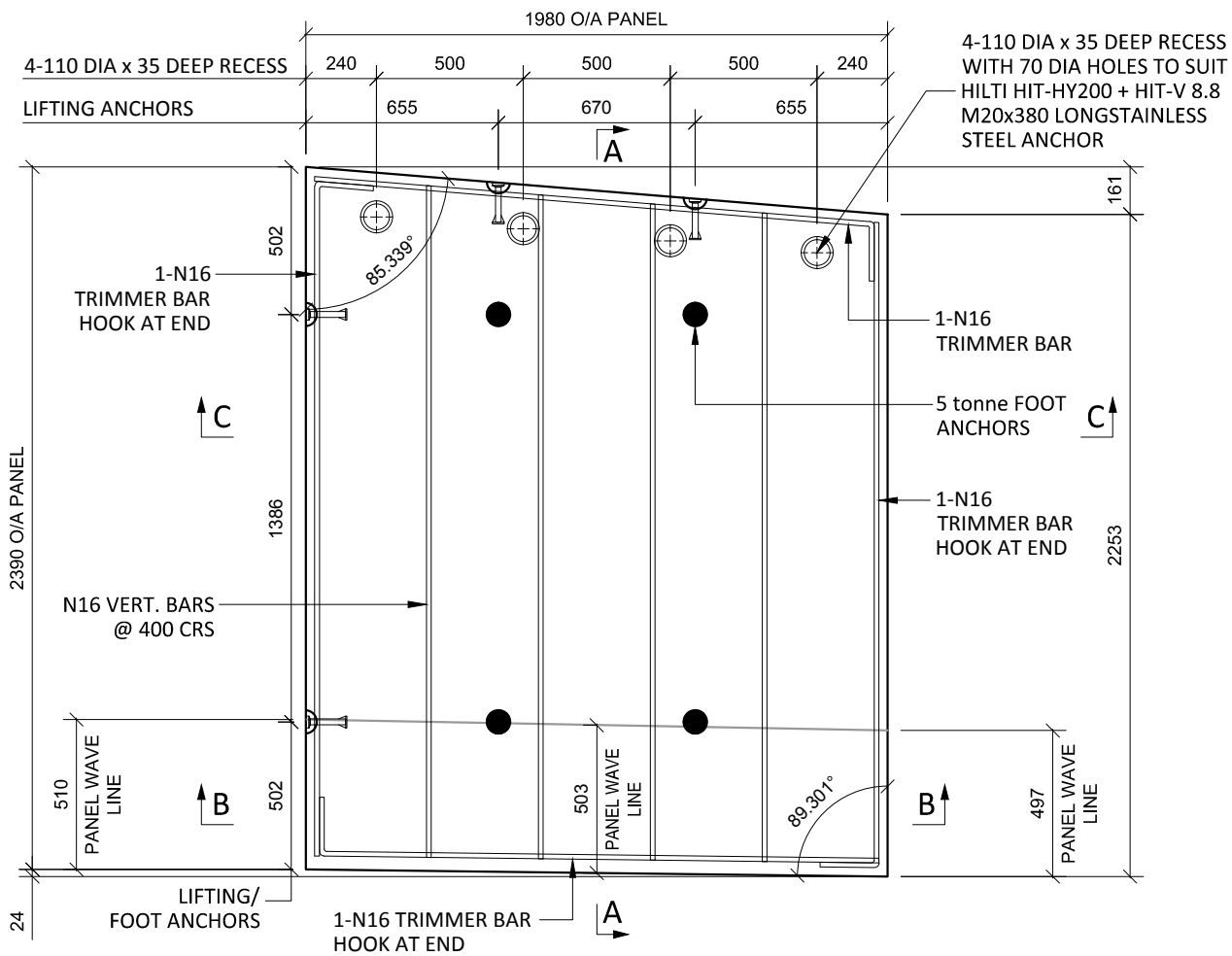
- UNLESS OTHERWISE SPECIFIED, THE MINIMUM DEVELOPMENT LENGTHS AND LENGTHS OF LAPS SHALL BE AS FOLLOWS:

BAR SIZE:	N12	N16	N20	N24
a) HORIZONTAL BARS WITH >300mm OF CONCRETE CAST BELOW THE BAR	500	700	1000	1300
b) OTHER BARS	350	550	750	1000

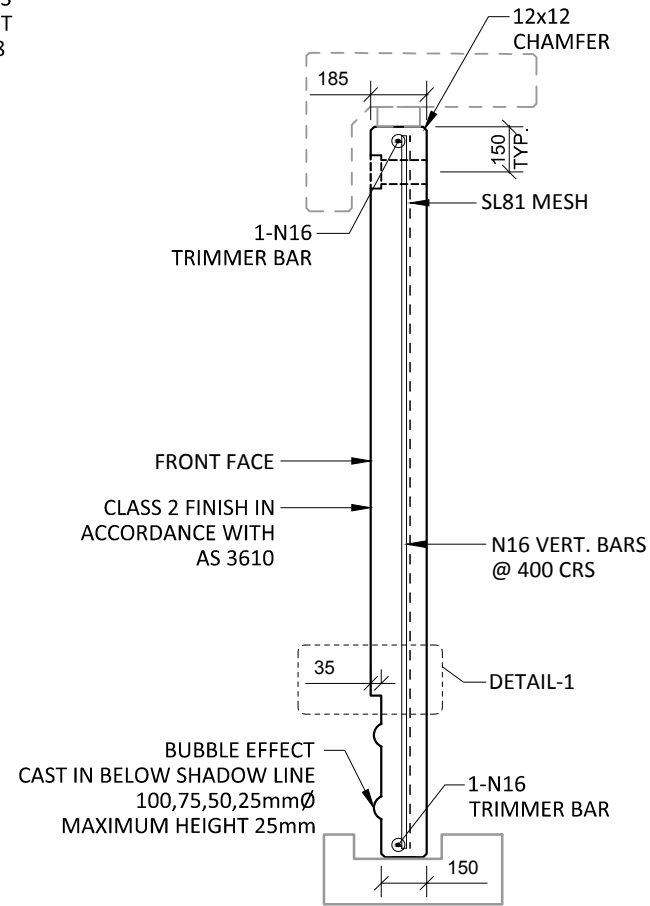
INSPECTION <input type="checkbox"/> TEST PLAN		
INSPECTED BY		
NAME OF FABRICATOR		
UNIT NO.		
CAST DATE		
CAST TIME		
CONCRETE DOCKET NO.		
CONCRETE SPECIF. (MPa)		
ITEM	FABRICATOR INITIAL	APPROVED Y / N
MOULD CLEANLINESS		
RELEASE OIL		
DIMENSIONS		
FORMWORK FIXED		
OPENING / REBATES CORRECT <input type="checkbox"/> POSITION		
HOLD POINT		
REINFORCING CORRECT		
LAPS <input type="checkbox"/> SPLICES CORRECT		
SPACING <input type="checkbox"/> COVER CORRECT		
HOLD POINT		
LIFTERS POSITIONED CORRECTLY		
CAST - IN ITEMS		
STARTERS/LACING BARS		
APPROVED FOR CASTING		
POST POUR INSPECTION		
INSPECTED BY		
DATE		
ITEM		APPROVED Y / N
SWIFTLIFTS POSITION		
SWIFTLIFTS RECESS CLEANED		
CAST-IN ITEMS CLEANED		
CONCRETE FINISH		
LABELLED (NUMBER / DATED)		
DAMAGE (CRACKS / CHIPPING)		
CLEANLINESS		
ANY ACTION REQUIRED: URBAN DESIGN PANEL FINISH/ BUBBLE EFFECT FINISH		
APPROVED FOR DISPATCH		
SLING ANGLE TO BE NOT LESS THAN 60° TO HORIZONTAL WHEN LIFTING		
40c <input type="checkbox"/> TO ALL EDGES <input type="checkbox"/> FACES (UNO)		
Area (m ²)	4.05	
Vol (m ³)	0.72	
Wt. (t)	1.79	
MPa	40MPa	
FINISH	FRONT FACE URBAN DESIGN PANEL FINISH/ BUBBLE EFFECT FINISH	
NO: OFF	1	

REV.	DATE	DESCRIPTION	DRAWN	APPROVED
0	28/11/2018	ISSUED FOR CONSTRUCTION	JM	

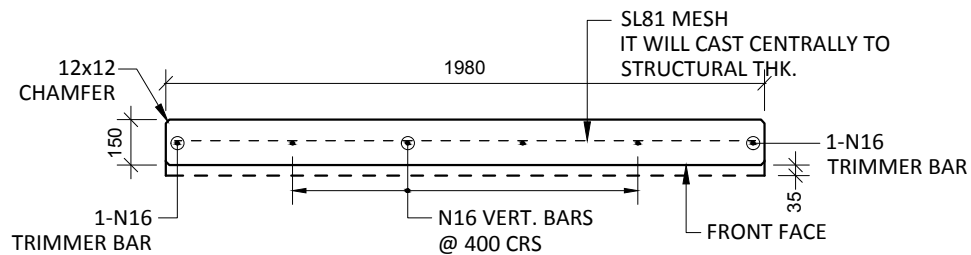
Contractor	Job	Project	Title	COPYRIGHT RESERVED	Drawn	JM	Date	28/11/2018	Lot No.	163A
Designer	NORTHERN BEACHES COUNCIL NORTHERN BEACHES HOSPITAL CONNECTIVITY AND NETWORK ENHANCEMENT		ONE 2000 - STAGE 2 2SL-01-EB PRECAST FASCIA PANEL F1-12		Checked	NP	Scale (A3)	1:10 1:25	P- F1-12	Dwg No.



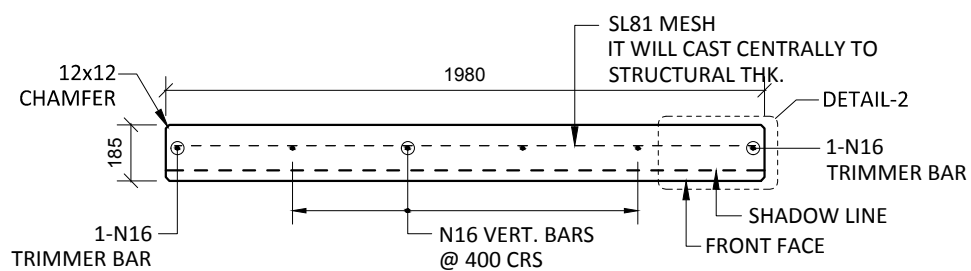
F1-14 PLAN AS CAST - 150/185 THK
SCALE :- 1:25 SL81 MESH NOT SHOWN FOR CLARITY



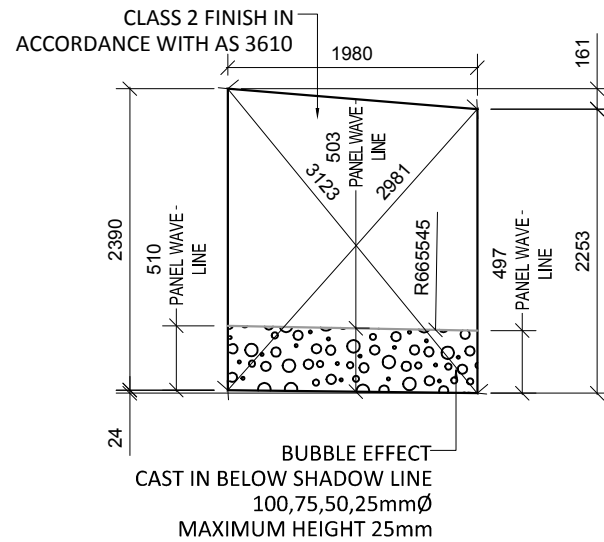
SECTION A-A
SCALE :- 1:25



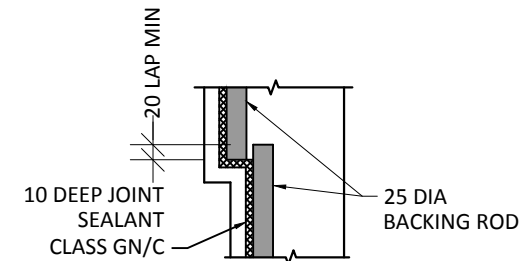
SECTION B-B
SCALE :- 1:25



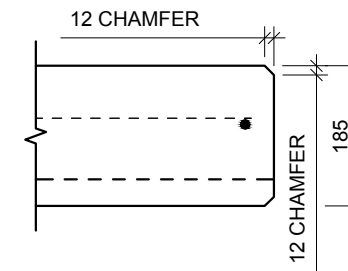
SECTION C-C
SCALE :- 1:25



VIEWED AS CAST
SCALE :- 1:60



DETAIL-1
SCALE :- 1:10



DETAIL-2
SCALE :- 1:10

NOTES.
CONCRETE

- CONCRETE SHALL HAVE A MIN. 28 DAY COMPRESSIVE STRENGTH OF 40MPa.
- PLACING AND CURING OF CONCRETE SHALL COMPLY WITH RMS D+C SPECIFICATION B80.
- ALL CORNERS SHALL HAVE 12mmx12mm FILLETS OR CHAMFERS - U.N.O. ON DRAWINGS.
- CONCRETE EXPOSURE CLASSIFICATION: B1 TO RMS D+C SPECIFICATION B80 UNO.
- CONCRETE MIX SHALL BE IN ACCORDANCE WITH RMS D+C SPECIFICATION B80.
- LIFTERS HDG & ALL FIXING ARE SS.

REINFORCING

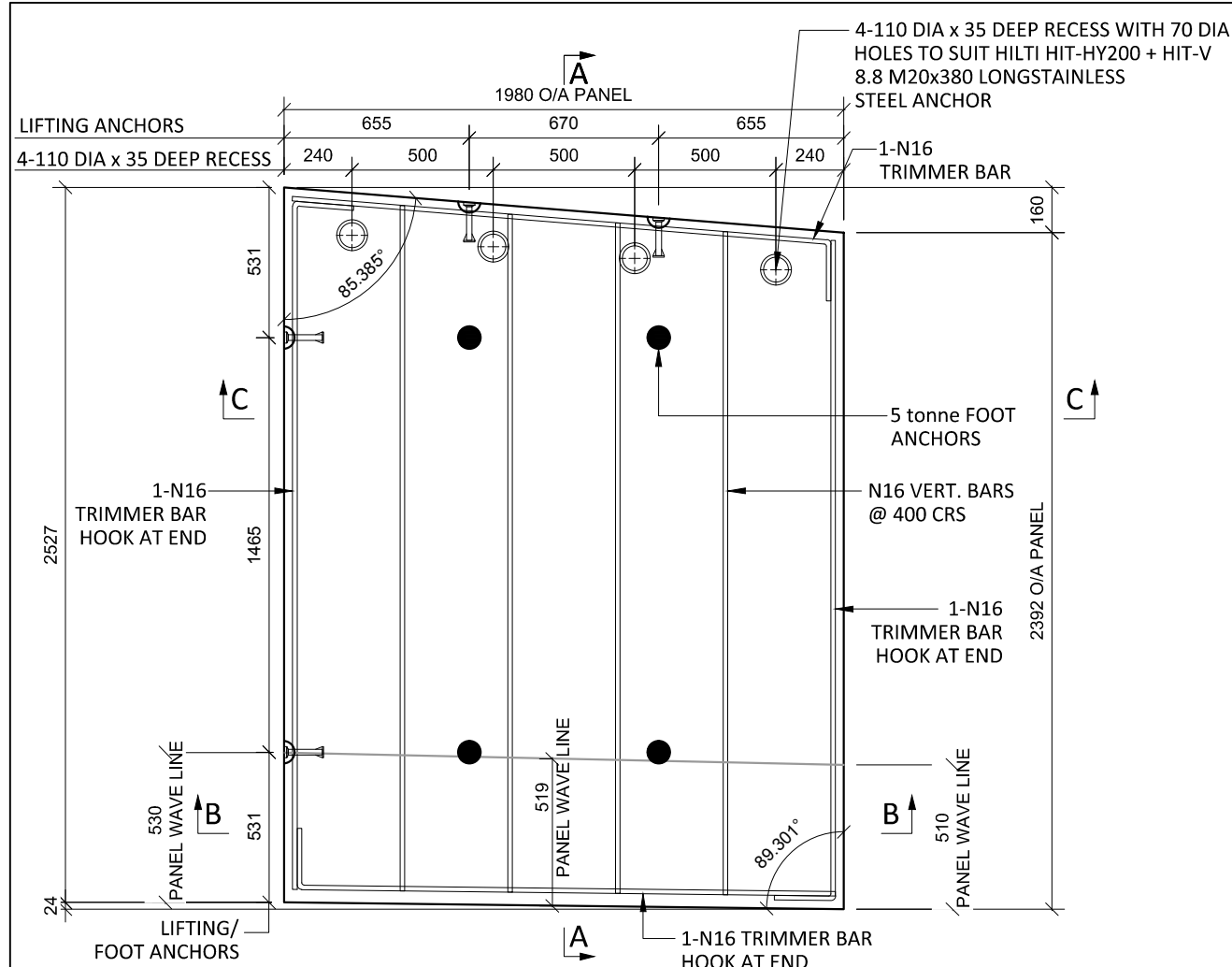
- COVER: 40mm U.O.N
- ALL REINFORCEMENT SHALL COMPLY WITH AS4671 GRADE D500N (TYPICAL).
- SPACING: TO BE TAKEN AS EVEN UNLESS NOTED OTHERWISE.
- BENDING: BAR BENDING & HOOK DETAILS SHALL BE IN ACCORDANCE WITH AS5100.5.
- WHERE REBATES OR RECESSES ARE REQUIRED, MIN. CLEAR COVER TO THE REINFORCEMENT SHALL BE MAINTAINED.
- N16 TRIMMER BARS TO BE PROVIDED ALL AROUND.
- REINFORCEMENT MAY BE SHOWN DIAGMATICALLY AND MAY NOT NECESSARILY BE IN TRUE PROJECTION. THE MINIMUM LAPPED SPLICE FOR MESH SHALL BE MADE SO THAT THE OUTERMOST CROSS BARS OF ONE SHEET OVERLAP THE TWO OUTERMOST BARS CROSS BARS OF THE SHEET BEING LAPPED AS SHOWN BELOW.
- UNLESS OTHERWISE SPECIFIED, THE MINIMUM DEVELOPMENT LENGTHS AND LENGTHS OF LAPS SHALL BE AS FOLLOWS:

BAR SIZE:	N12	N16	N20	N24
a) HORIZONTAL BARS WITH >300mm OF CONCRETE CAST BELOW THE BAR	500	700	1000	1300
b) OTHER BARS	350	550	750	1000

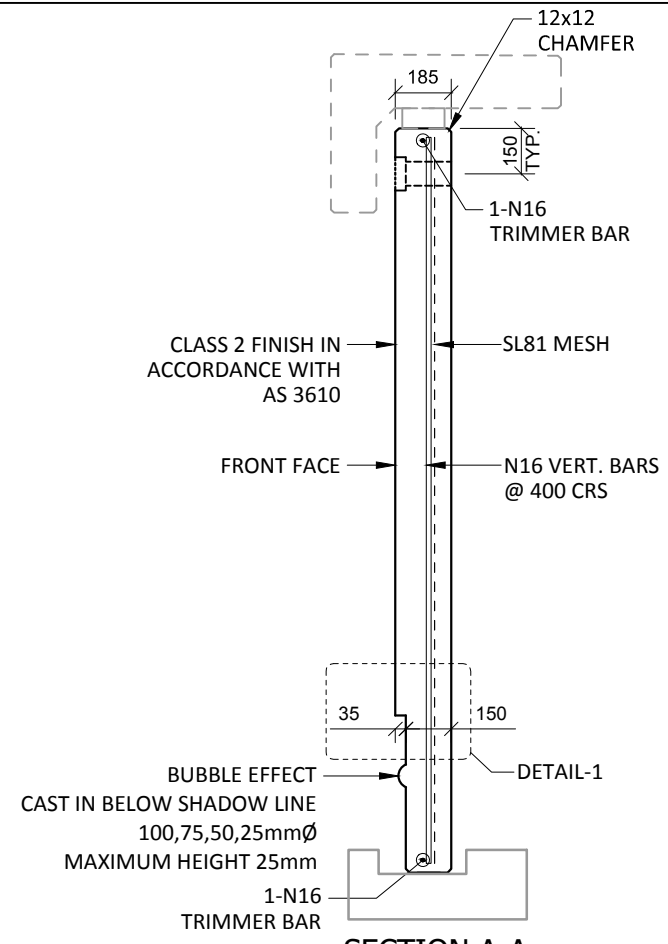
INSPECTION <input type="checkbox"/> TEST PLAN	
INSPECTED BY	
NAME OF FABRICATOR	
UNIT NO.	
CAST DATE	
CAST TIME	
CONCRETE DOCKET NO.	
CONCRETE SPECIF. (MPa)	
ITEM	FABRICATOR APPROVED INITIAL Y / N
MOULD CLEANLINESS	
RELEASE OIL	
DIMENSIONS	
FORMWORK FIXED	
OPENING / REBATES CORRECT <input type="checkbox"/> POSITION	
HOLD POINT	
REINFORCING CORRECT	
LAPS <input type="checkbox"/> SPLICES CORRECT	
SPACING <input type="checkbox"/> COVER CORRECT	
HOLD POINT	
LIFTERS POSITIONED CORRECTLY	
CAST - IN ITEMS	
STARTERS <input type="checkbox"/> PLACING BARS	
APPROVED FOR CASTING	
POST POUR INSPECTION	
INSPECTED BY	
DATE	
ITEM	APPROVED Y / N
SWIFTLIFTS POSITION	
SWIFTLIFTS RECESS CLEANED	
CAST-IN ITEMS CLEANED	
CONCRETE FINISH	
LABELLED (NUMBER / DATED)	
DAMAGE (CRACKS / CHIPPING)	
CLEANLINESS	
ANY ACTION REQUIRED: URBAN DESIGN PANEL FINISH/ BUBBLE EFFECT FINISH	
APPROVED FOR DISPATCH	
SLING ANGLE TO BE NOT LESS THAN 60° TO HORIZONTAL WHEN LIFTING	
40c <input type="checkbox"/> TO ALL EDGES <input type="checkbox"/> FACES (UNO)	
Area (m ²)	4.60
Vol (m ³)	0.91
Wt. (t)	2.28
MPa	40MPa
FINISH	FRONT FACE URBAN DESIGN PANEL FINISH/ BUBBLE EFFECT FINISH
NO: OFF	1

REV.	DATE	DESCRIPTION	DRAWN	APPROVED
0	28/11/2018	ISSUED FOR CONSTRUCTION	JM	

Contractor	Job	Project	Title	COPYRIGHT RESERVED	Drawn	JM	Date	28/11/2018	Lot No.	163A
Designer	NORTHERN BEACHES COUNCIL NORTHERN BEACHES HOSPITAL CONNECTIVITY AND NETWORK ENHANCEMENT		ONE 2000 - STAGE 2 2SL-01-EB PRECAST FASCIA PANEL F1-14		Checked	NP	Scale (A3)	1:10 1:25 1:60	P- F1-14	0



F1-15 PLAN AS CAST - 150/185 THK
SCALE :- 1:25 SL81 MESH NOT SHOWN FOR CLARITY



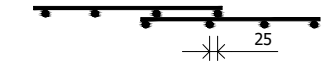
SECTION A-A
SCALE :- 1:25

NOTES.
CONCRETE

- CONCRETE SHALL HAVE A MIN. 28 DAY COMPRESSIVE STRENGTH OF 40MPa.
- PLACING AND CURING OF CONCRETE SHALL COMPLY WITH RMS D+C SPECIFICATION B80.
- ALL CORNERS SHALL HAVE 12mmx12mm FILLETS OR CHAMFERS - U.N.O. ON DRAWINGS.
- CONCRETE EXPOSURE CLASSIFICATION: B1 TO RMS D+C SPECIFICATION B80 UNO.
- CONCRETE MIX SHALL BE IN ACCORDANCE WITH RMS D+C SPECIFICATION B80.
- LIFTERS HDG & ALL FIXING ARE SS.

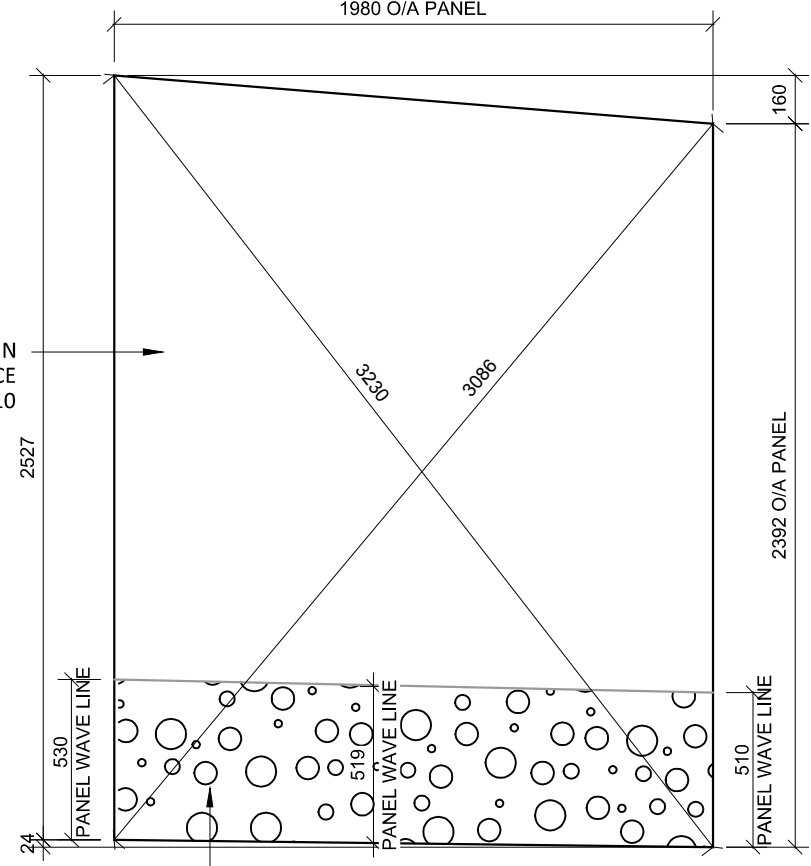
REINFORCING

- COVER: 40mm U.O.N
- ALL REINFORCEMENT SHALL COMPLY WITH AS4671 GRADE D500N (TYPICAL).
- SPACING: TO BE TAKEN AS EVEN UNLESS NOTED OTHERWISE.
- BENDING: BAR BENDING & HOOK DETAILS SHALL BE IN ACCORDANCE WITH AS5100.5.
- WHERE REBATES OR RECESSES ARE REQUIRED, MIN. CLEAR COVER TO THE REINFORCEMENT SHALL BE MAINTAINED.
- N16 TRIMMER BARS TO BE PROVIDED ALL AROUND.
- REINFORCEMENT MAY BE SHOWN DIAGMATICALLY AND MAY NOT NECESSARILY BE IN TRUE PROJECTION. THE MINIMUM LAPPED SPLICE FOR MESH SHALL BE MADE SO THAT THE OUTERMOST CROSS BARS OF ONE SHEET OVERLAP THE TWO OUTERMOST BARS CROSS BARS OF THE SHEET BEING LAPPED AS SHOWN BELOW.

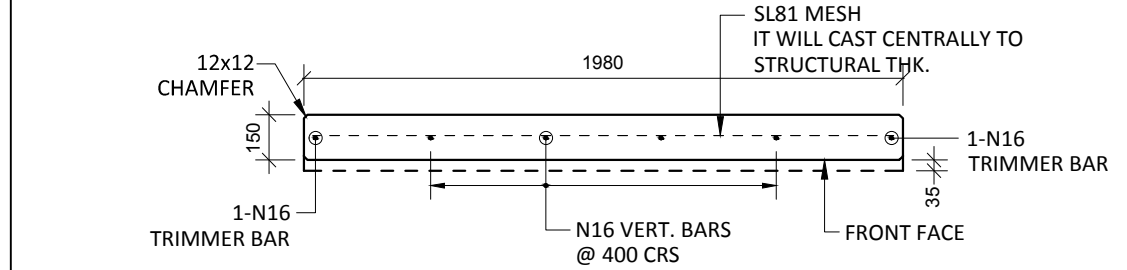


- UNLESS OTHERWISE SPECIFIED, THE MINIMUM DEVELOPMENT LENGTHS AND LENGTHS OF LAPS SHALL BE AS FOLLOWS:

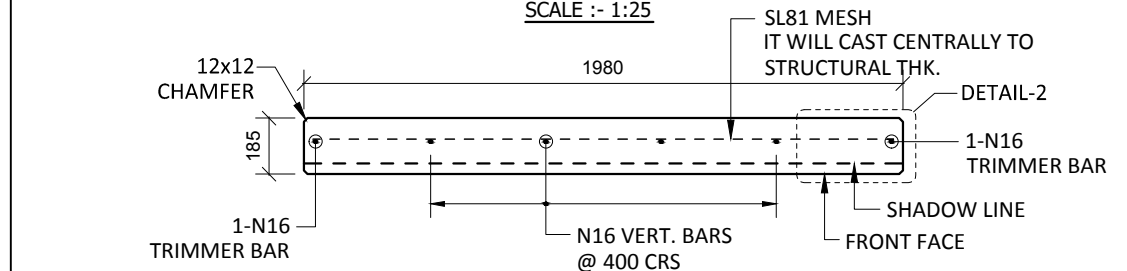
BAR SIZE:	N12	N16	N20	N24
a) HORIZONTAL BARS WITH >300mm OF CONCRETE CAST BELOW THE BAR	500	700	1000	1300
b) OTHER BARS	350	550	750	1000



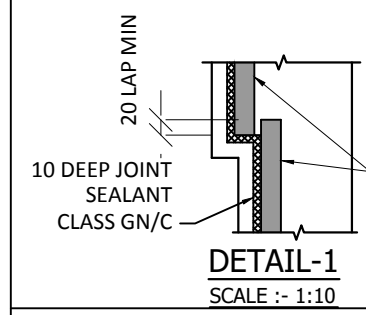
VIEWED AS CAST
SCALE :- 1:25



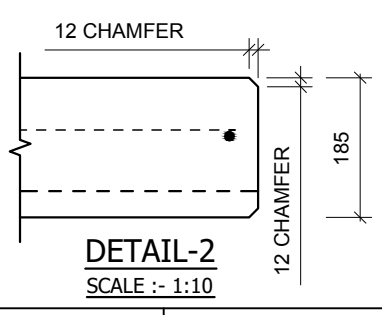
SECTION B-B
SCALE :- 1:25



SECTION C-C
SCALE :- 1:25



DETAIL-1
SCALE :- 1:10

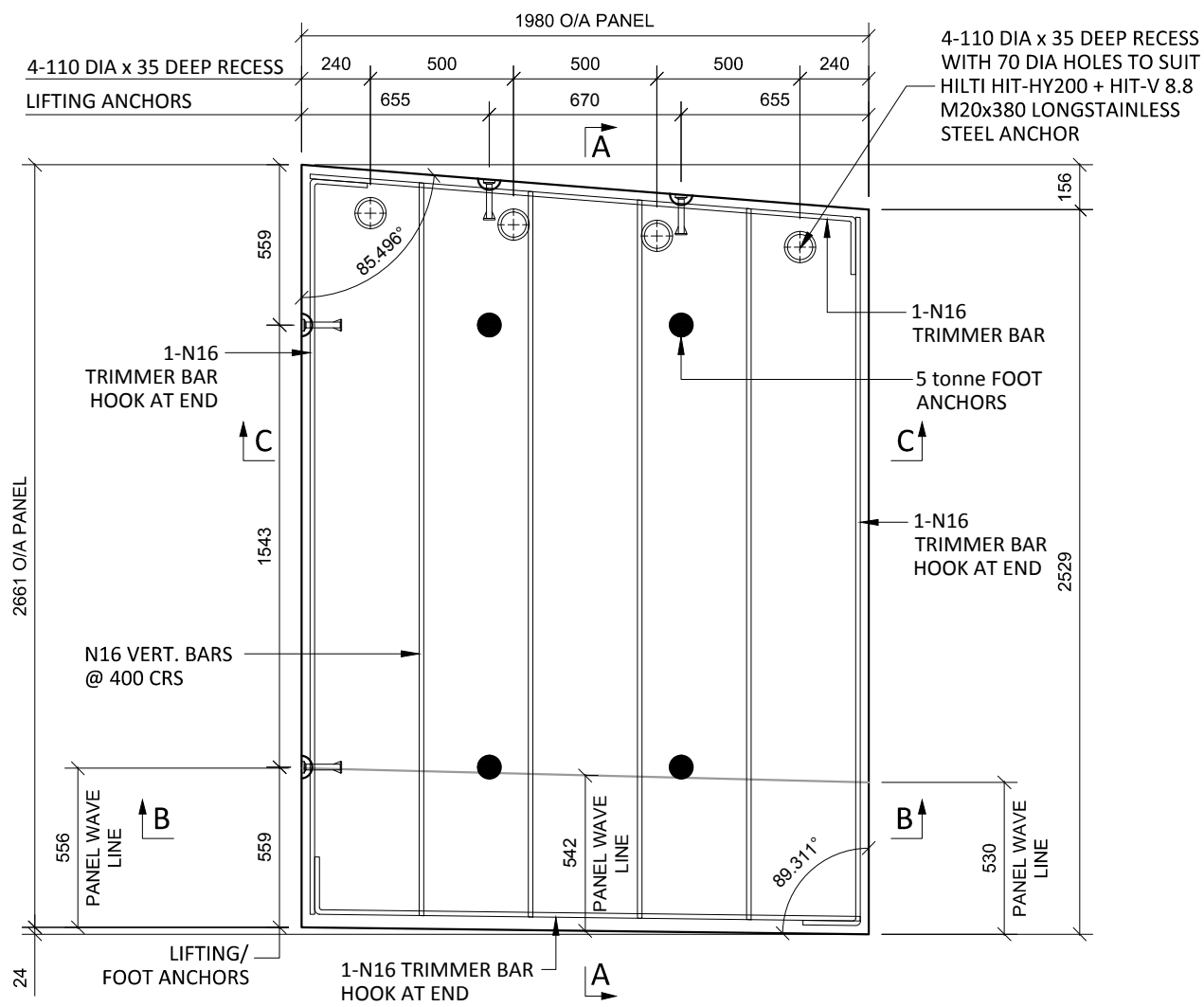


DETAIL-2
SCALE :- 1:10

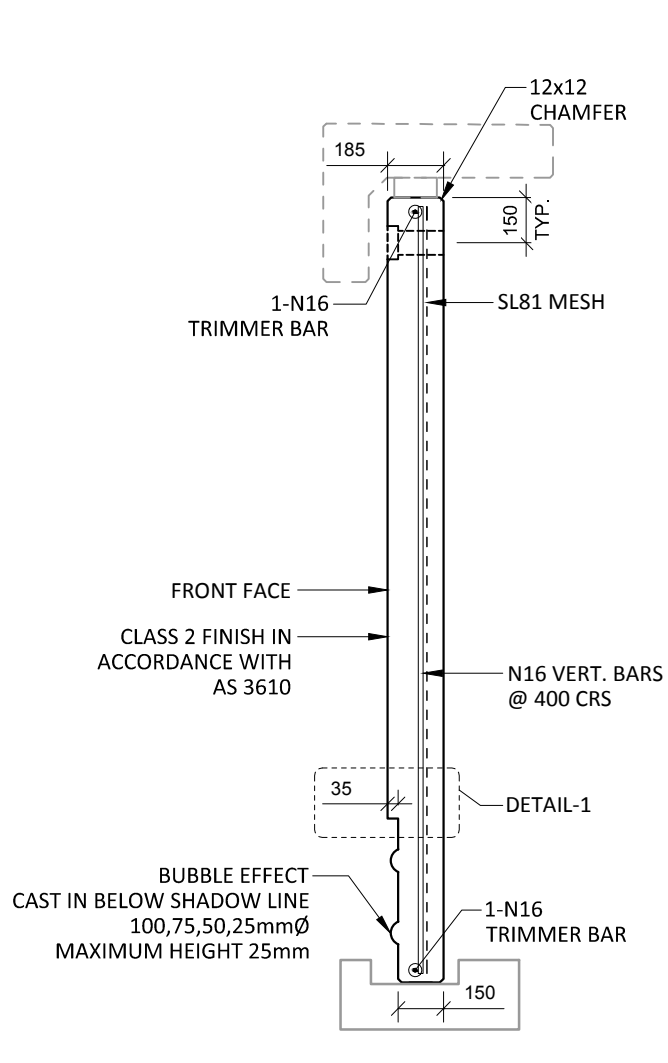
INSPECTION <input type="checkbox"/> TEST PLAN	
INSPECTED BY	
NAME OF FABRICATOR	
UNIT NO.	
CAST DATE	
CAST TIME	
CONCRETE DOCKET NO.	
CONCRETE SPECIF. (MPa)	
ITEM	FABRICATOR APPROVED INITIAL Y / N
MOULD CLEANLINESS	
RELEASE OIL	
DIMENSIONS	
FORMWORK FIXED	
OPENING / REBATES CORRECT <input type="checkbox"/> POSITION	
HOLD POINT	
REINFORCING CORRECT	
LAPS <input type="checkbox"/> SPLICES CORRECT	
SPACING <input type="checkbox"/> COVER CORRECT	
HOLD POINT	
LIFTERS POSITIONED CORRECTLY	
CAST - IN ITEMS	
STARTERS <input type="checkbox"/> LACING BARS	
APPROVED FOR CASTING	
POST POUR INSPECTION	
INSPECTED BY	
DATE	
ITEM	APPROVED Y / N
SWIFTLIFTS POSITION	
SWIFTLIFTS RECESS CLEANED	
CAST-IN ITEMS CLEANED	
CONCRETE FINISH	
LABELLED (NUMBER / DATED)	
DAMAGE (CRACKS / CHIPPING)	
CLEANLINESS	
ANY ACTION REQUIRED: URBAN DESIGN PANEL FINISH/ BUBBLE EFFECT FINISH	
APPROVED FOR DISPATCH	
SLING ANGLE TO BE NOT LESS THAN 60° TO HORIZONTAL WHEN LIFTING	
40c TO ALL EDGES <input type="checkbox"/> FACES (UNO)	
Area (m ²)	4.87
Vol (m ³)	0.86
Wt. (t)	2.16
MPa	40MPa
FINISH	FRONT FACE URBAN DESIGN PANEL FINISH/ BUBBLE EFFECT FINISH
NO: OFF	1

REV.	DATE	DESCRIPTION	DRAWN	APPROVED
0	28/11/2018	ISSUED FOR CONSTRUCTION	NG	

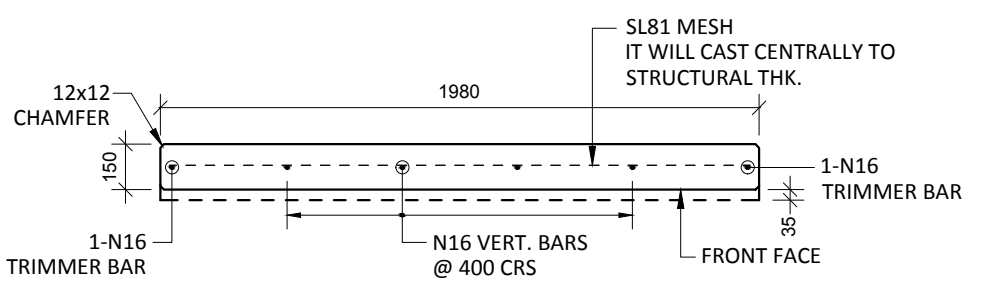
Contractor	Job	Project	Title	COPYRIGHT RESERVED	Drawn	NG	Date	28/11/2018	Lot No.	163A
Designer	NORTHERN BEACHES COUNCIL NORTHERN BEACHES HOSPITAL CONNECTIVITY AND NETWORK ENHANCEMENT		ONE 2000 - STAGE 2 2SL-01-EB PRECAST FASCIA PANEL F1-15		Checked	HP	Scale (A3)	1:10 1:25	P- F1-15	0



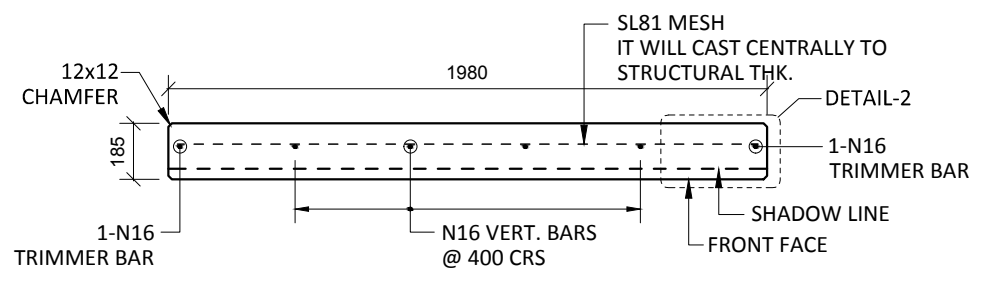
F1-16 PLAN AS CAST - 150/185 THK
 SCALE :- 1:25 SL81 MESH NOT SHOWN FOR CLARITY



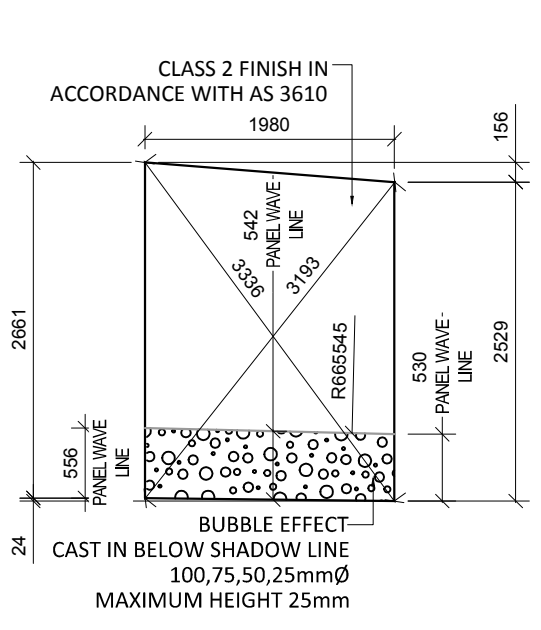
SECTION A-A
 SCALE :- 1:25



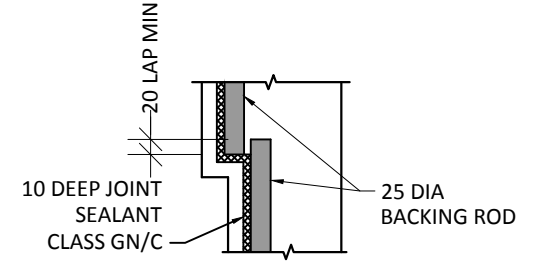
SECTION B-B
 SCALE :- 1:25



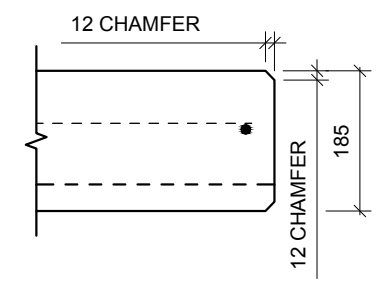
SECTION C-C
 SCALE :- 1:25



VIEWED AS CAST
 SCALE :- 1:60



DETAIL-1
 SCALE :- 1:10



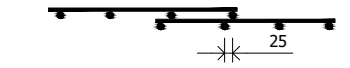
DETAIL-2
 SCALE :- 1:10

NOTES.
CONCRETE

- CONCRETE SHALL HAVE A MIN. 28 DAY COMPRESSIVE STRENGTH OF 40MPa.
- PLACING AND CURING OF CONCRETE SHALL COMPLY WITH RMS D+C SPECIFICATION B80.
- ALL CORNERS SHALL HAVE 12mmx12mm FILLETS OR CHAMFERS - U.N.O. ON DRAWINGS.
- CONCRETE EXPOSURE CLASSIFICATION: B1 TO RMS D+C SPECIFICATION B80 UNO.
- CONCRETE MIX SHALL BE IN ACCORDANCE WITH RMS D+C SPECIFICATION B80.
- LIFTERS HDG & ALL FIXING ARE SS.

REINFORCING

- COVER: 40mm U.O.N
- ALL REINFORCEMENT SHALL COMPLY WITH AS4671 GRADE D500N (TYPICAL).
- SPACING: TO BE TAKEN AS EVEN UNLESS NOTED OTHERWISE.
- BENDING: BAR BENDING & HOOK DETAILS SHALL BE IN ACCORDANCE WITH AS5100.5.
- WHERE REBATES OR RECESSES ARE REQUIRED, MIN. CLEAR COVER TO THE REINFORCEMENT SHALL BE MAINTAINED.
- N16 TRIMMER BARS TO BE PROVIDED ALL AROUND.
- REINFORCEMENT MAY BE SHOWN DIAGRAMMATICALLY AND MAY NOT NECESSARILY BE IN TRUE PROJECTION. THE MINIMUM LAPPED SPLICE FOR MESH SHALL BE MADE SO THAT THE OUTERMOST CROSS BARS OF ONE SHEET OVERLAP THE TWO OUTERMOST BARS CROSS BARS OF THE SHEET BEING LAPPED AS SHOWN BELOW.



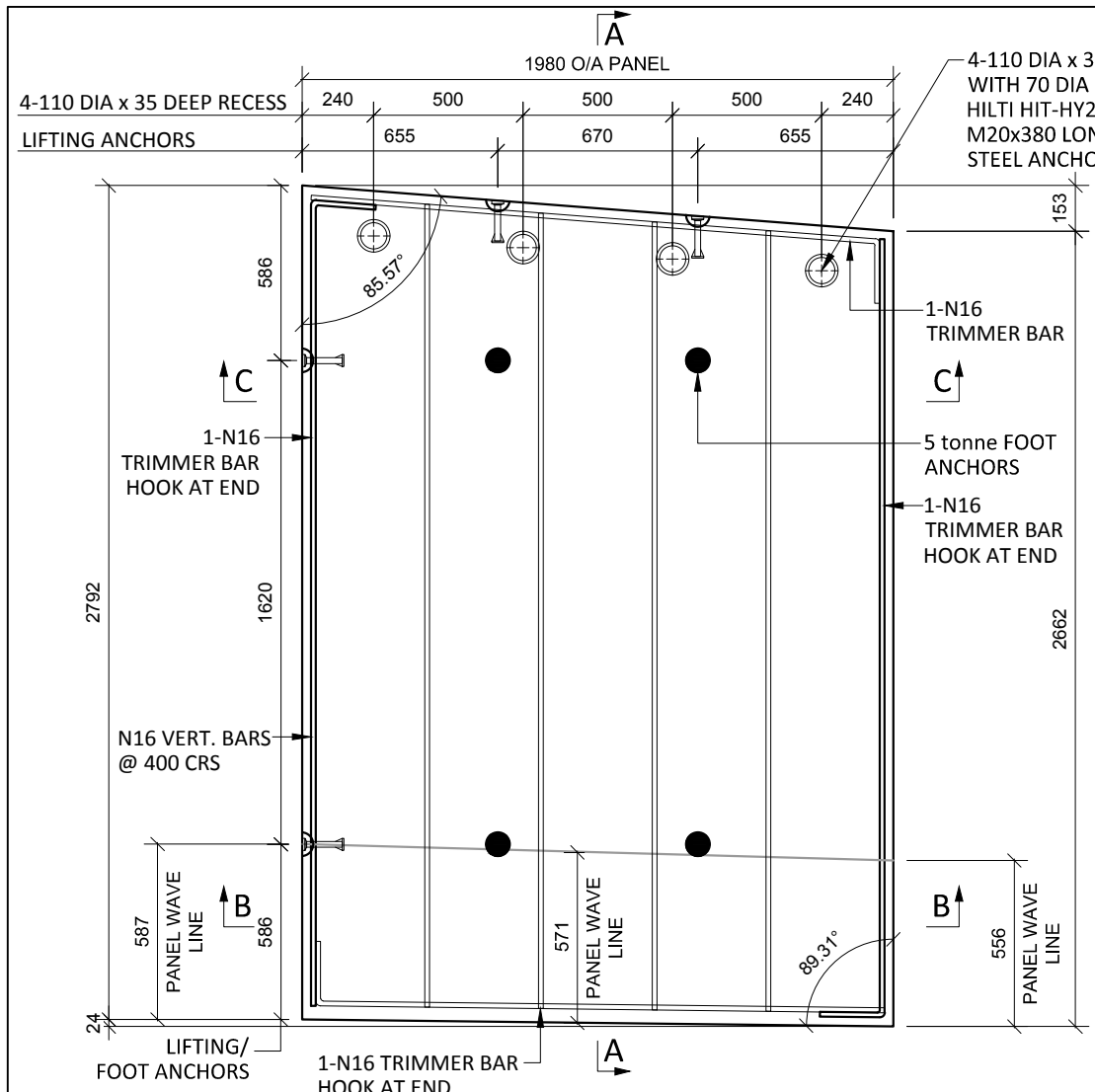
- UNLESS OTHERWISE SPECIFIED, THE MINIMUM DEVELOPMENT LENGTHS AND LENGTHS OF LAPS SHALL BE AS FOLLOWS:

BAR SIZE:	N12	N16	N20	N24
a) HORIZONTAL BARS WITH >300mm OF CONCRETE CAST BELOW THE BAR	500	700	1000	1300
b) OTHER BARS	350	550	750	1000

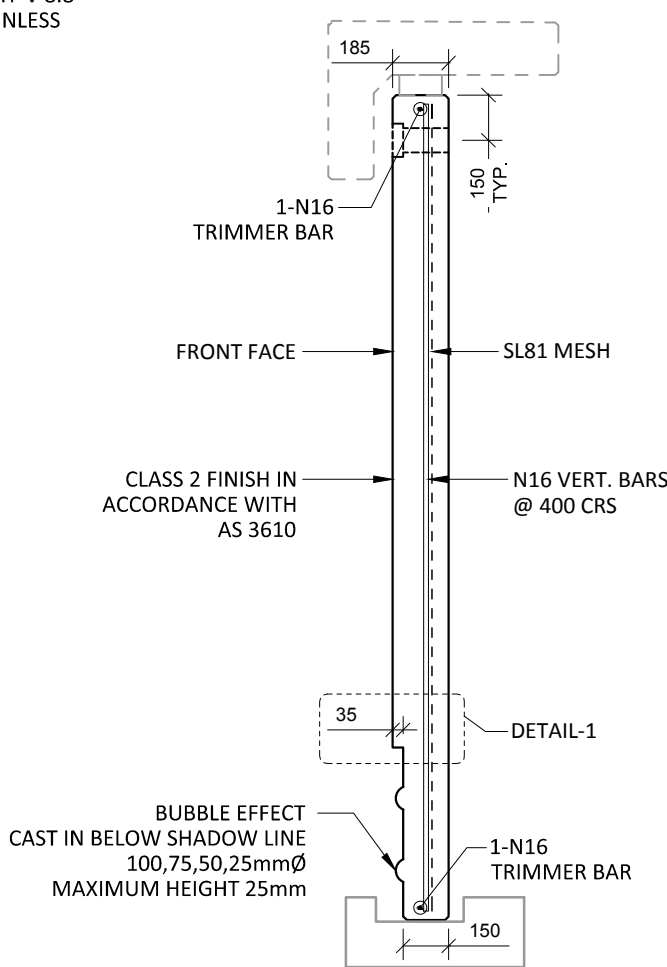
INSPECTION <input type="checkbox"/> TEST PLAN	
INSPECTED BY	
NAME OF FABRICATOR	
UNIT NO.	
CAST DATE	
CAST TIME	
CONCRETE DOCKET NO.	
CONCRETE SPECIF. (MPa)	
ITEM	FABRICATOR APPROVED INITIAL Y / N
MOULD CLEANLINESS	
RELEASE OIL	
DIMENSIONS	
FORMWORK FIXED	
OPENING / REBATES CORRECT <input type="checkbox"/> POSITION	
HOLD POINT	
REINFORCING CORRECT	
LAPS <input type="checkbox"/> SPLICES CORRECT	
SPACING <input type="checkbox"/> COVER CORRECT	
HOLD POINT	
LIFTERS POSITIONED CORRECTLY	
CAST - IN ITEMS	
STARTERS <input type="checkbox"/> LACING BARS	
APPROVED FOR CASTING	
POST POUR INSPECTION	
INSPECTED BY	
DATE	
ITEM	APPROVED Y / N
SWIFTLIFTS POSITION	
SWIFTLIFTS RECESS CLEANED	
CAST-IN ITEMS CLEANED	
CONCRETE FINISH	
LABELLED (NUMBER / DATED)	
DAMAGE (CRACKS / CHIPPING)	
CLEANLINESS	
ANY ACTION REQUIRED: URBAN DESIGN PANEL FINISH/ BUBBLE EFFECT FINISH	
APPROVED FOR DISPATCH	
SLING ANGLE TO BE NOT LESS THAN 60° TO HORIZONTAL WHEN LIFTING	
40c <input type="checkbox"/> TO ALL EDGES <input type="checkbox"/> FACES (UNO)	
Area (m ²)	5.14
Vol (m ³)	0.91
Wt. (t)	2.28
MPa	40MPa
FINISH	FRONT FACE URBAN DESIGN PANEL FINISH/ BUBBLE EFFECT FINISH
NO: OFF	1

REV.	DATE	DESCRIPTION	DRAWN	APPROVED
0	28/11/2018	ISSUED FOR CONSTRUCTION	JM	

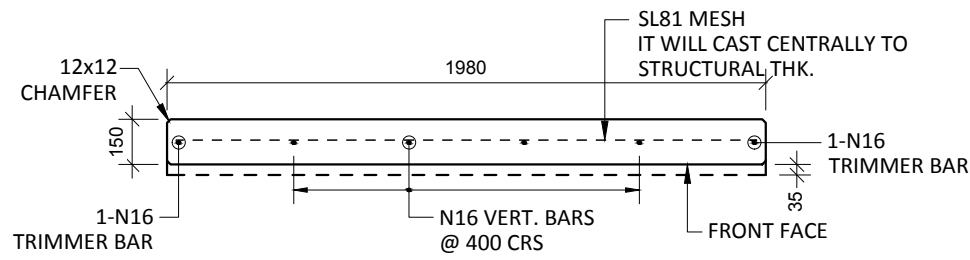
Contractor	Job	Project	Title	COPYRIGHT RESERVED	Drawn	JM	Date	28/11/2018	Lot No. 163A
Designer	NORTHERN BEACHES COUNCIL NORTHERN BEACHES HOSPITAL CONNECTIVITY AND NETWORK ENHANCEMENT		ONE 2000 - STAGE 2 2SL-01-EB PRECAST FASCIA PANEL F1-16		Checked	HP	Scale (A3)	1:10 1:25 1:60	



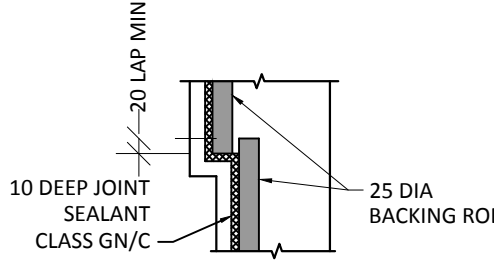
F1-17 PLAN AS CAST - 150/185 THK
SCALE :- 1:25 SL81 MESH NOT SHOWN FOR CLARITY



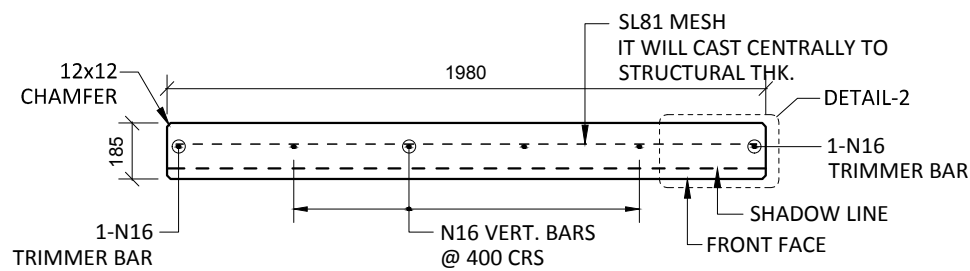
SECTION A-A
SCALE :- 1:25



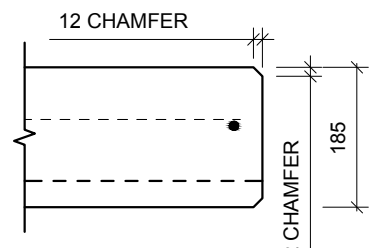
SECTION B-B
SCALE :- 1:25



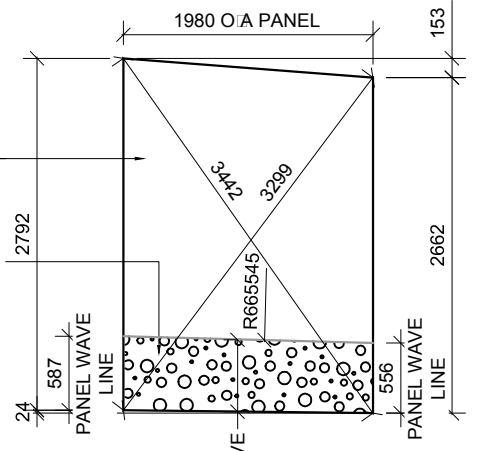
DETAIL-1
SCALE :- 1:10



SECTION C-C
SCALE :- 1:25



DETAIL-2
SCALE :- 1:10



VIEWED AS CAST
SCALE :- 1:60

NOTES.

- CONCRETE**
- CONCRETE SHALL HAVE A MIN. 28 DAY COMPRESSIVE STRENGTH OF 40MPa.
 - PLACING AND CURING OF CONCRETE SHALL COMPLY WITH RMS D+C SPECIFICATION B80.
 - ALL CORNERS SHALL HAVE 12mmx12mm FILLETS OR CHAMFERS - U.N.O. ON DRAWINGS.
 - CONCRETE EXPOSURE CLASSIFICATION: B1 TO RMS D+C SPECIFICATION B80 UNO.
 - CONCRETE MIX SHALL BE IN ACCORDANCE WITH RMS D+C SPECIFICATION B80.
 - LIFTERS HDG & ALL FIXING ARE SS.

REINFORCING

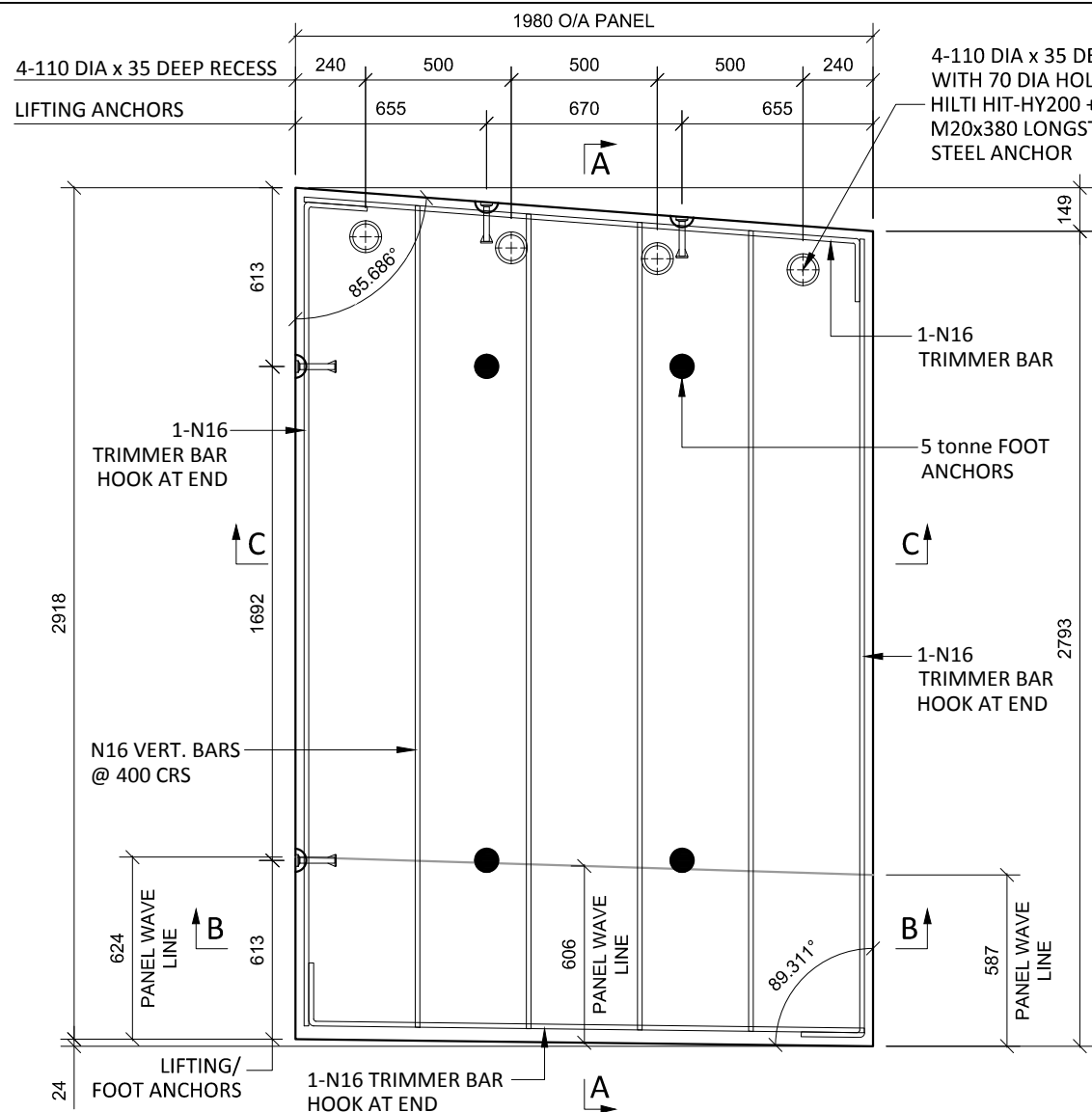
- COVER: 40mm U.O.N
- ALL REINFORCEMENT SHALL COMPLY WITH AS4671 GRADE D500N (TYPICAL).
- SPACING: TO BE TAKEN AS EVEN UNLESS NOTED OTHERWISE.
- BENDING: BAR BENDING & HOOK DETAILS SHALL BE IN ACCORDANCE WITH AS5100.5.
- WHERE REBATES OR RECESSES ARE REQUIRED, MIN. CLEAR COVER TO THE REINFORCEMENT SHALL BE MAINTAINED.
- N16 TRIMMER BARS TO BE PROVIDED ALL AROUND.
- REINFORCEMENT MAY BE SHOWN DIAGMATICALLY AND MAY NOT NECESSARILY BE IN TRUE PROJECTION. THE MINIMUM LAPPED SPLICE FOR MESH SHALL BE MADE SO THAT THE OUTERMOST CROSS BARS OF ONE SHEET OVERLAP THE TWO OUTERMOST BARS CROSS BARS OF THE SHEET BEING LAPPED AS SHOWN BELOW.
- UNLESS OTHERWISE SPECIFIED, THE MINIMUM DEVELOPMENT LENGTHS AND LENGTHS OF LAPS SHALL BE AS FOLLOWS:

BAR SIZE:	N12	N16	N20	N24
a) HORIZONTAL BARS WITH >300mm OF CONCRETE CAST BELOW THE BAR	500	700	1000	1300
b) OTHER BARS	350	550	750	1000

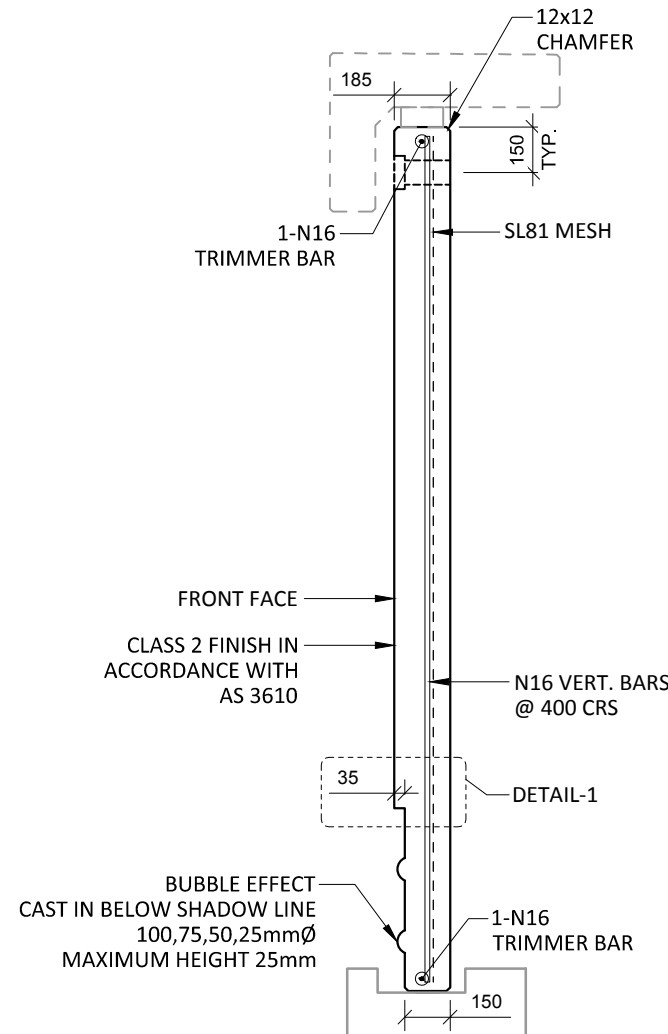
INSPECTION <input type="checkbox"/> TEST PLAN	
INSPECTED BY	
NAME OF FABRICATOR	
UNIT NO.	
CAST DATE	
CAST TIME	
CONCRETE DOCKET NO.	
CONCRETE SPECIF. (MPa)	
ITEM	FABRICATOR APPROVED INITIAL Y / N
MOULD CLEANLINESS	
RELEASE OIL	
DIMENSIONS	
FORMWORK FIXED	
OPENING / REBATES CORRECT <input type="checkbox"/> POSITION	
HOLD POINT	
REINFORCING CORRECT	
LAPS <input type="checkbox"/> SPLICES CORRECT	
SPACING <input type="checkbox"/> COVER CORRECT	
HOLD POINT	
LIFTERS POSITIONED CORRECTLY	
CAST - IN ITEMS	
STARTERS <input type="checkbox"/> LACING BARS	
APPROVED FOR CASTING	
POST POUR INSPECTION	
INSPECTED BY	
DATE	
ITEM	APPROVED Y / N
SWIFTLIFTS POSITION	
SWIFTLIFTS RECESS CLEANED	
CAST-IN ITEMS CLEANED	
CONCRETE FINISH	
LABELLED (NUMBER / DATED)	
DAMAGE (CRACKS / CHIPPING)	
CLEANLINESS	
ANY ACTION REQUIRED: URBAN DESIGN PANEL FINISH/ BUBBLE EFFECT FINISH	
APPROVED FOR DISPATCH	
SLING ANGLE TO BE NOT LESS THAN 60° TO HORIZONTAL WHEN LIFTING	
40c <input type="checkbox"/> TO ALL EDGES <input type="checkbox"/> FACES (UNO)	
Area (m ²)	6.53
Vol (m ³)	1.13
Wt. (t)	2.82
MPa	40MPa
FINISH	FRONT FACE URBAN DESIGN PANEL FINISH/ BUBBLE EFFECT FINISH
NO: OFF	1

REV.	DATE	DESCRIPTION	DRAWN	APPROVED
0	28/11/2018	ISSUED FOR CONSTRUCTION	NG	

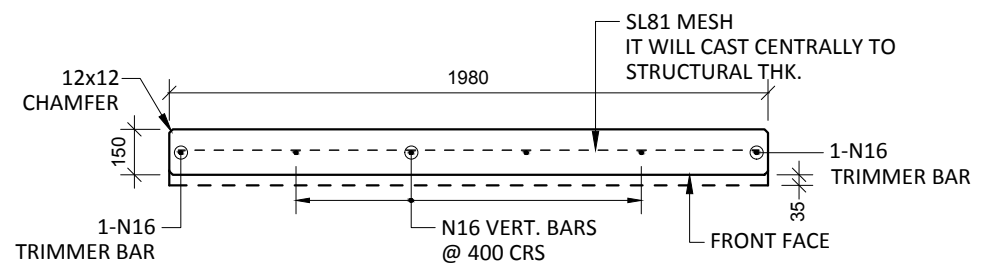
Contractor	Job	Project	Title	COPYRIGHT RESERVED	Drawn	NG	Date	28/11/2018	Lot No.	163A
Designer	NORTHERN BEACHES COUNCIL NORTHERN BEACHES HOSPITAL CONNECTIVITY AND NETWORK ENHANCEMENT		ONE 2000 - STAGE 2 2SL-01-EB PRECAST FASCIA PANEL F1-17		Checked	HP	Scale (A3)	1:10 1:25 1:60	P- F1-17	0



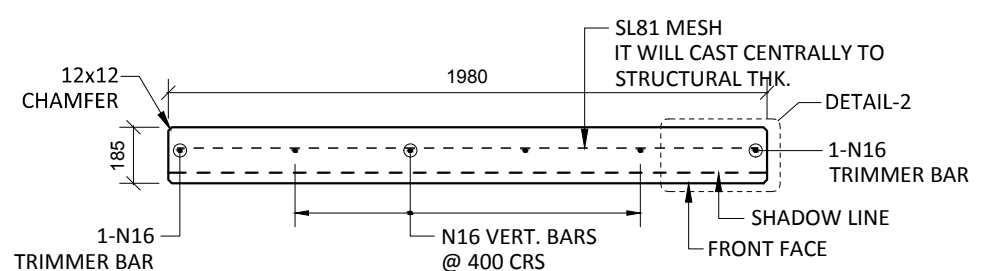
F1-18 PLAN AS CAST - 150/185 THK
SCALE :- 1:25 SL81 MESH NOT SHOWN FOR CLARITY



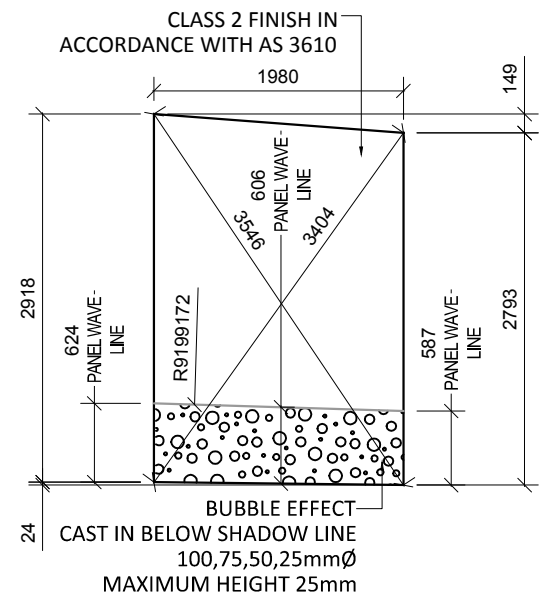
SECTION A-A
SCALE :- 1:25



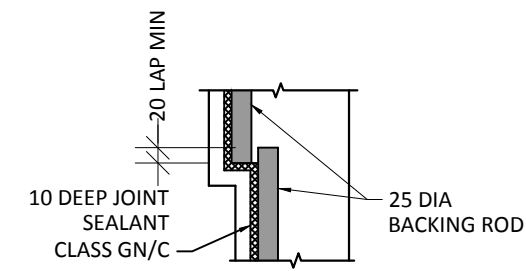
SECTION B-B
SCALE :- 1:25



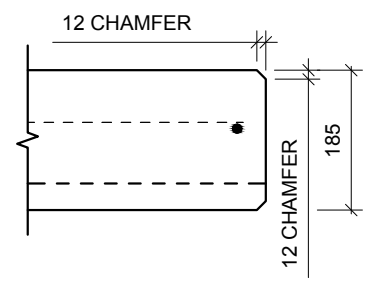
SECTION C-C
SCALE :- 1:25



VIEWED AS CAST
SCALE :- 1:60



DETAIL-1
SCALE :- 1:10



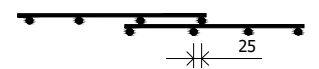
DETAIL-2
SCALE :- 1:10

NOTES.
CONCRETE

- CONCRETE SHALL HAVE A MIN. 28 DAY COMPRESSIVE STRENGTH OF 40MPa.
- PLACING AND CURING OF CONCRETE SHALL COMPLY WITH RMS D+C SPECIFICATION B80.
- ALL CORNERS SHALL HAVE 12mmx12mm FILLETS OR CHAMFERS - U.N.O. ON DRAWINGS.
- CONCRETE EXPOSURE CLASSIFICATION: B1 TO RMS D+C SPECIFICATION B80 UNO.
- CONCRETE MIX SHALL BE IN ACCORDANCE WITH RMS D+C SPECIFICATION B80.
- LIFTERS HDG & ALL FIXING ARE SS.

REINFORCING

- COVER: 40mm U.O.N
- ALL REINFORCEMENT SHALL COMPLY WITH AS4671 GRADE D500N (TYPICAL).
- SPACING: TO BE TAKEN AS EVEN UNLESS NOTED OTHERWISE.
- BENDING: BAR BENDING & HOOK DETAILS SHALL BE IN ACCORDANCE WITH ASS100.5.
- WHERE REBATES OR RECESSES ARE REQUIRED, MIN. CLEAR COVER TO THE REINFORCEMENT SHALL BE MAINTAINED.
- N16 TRIMMER BARS TO BE PROVIDED ALL AROUND.
- REINFORCEMENT MAY BE SHOWN DIAGRAMMATICALLY AND MAY NOT NECESSARILY BE IN TRUE PROJECTION.
- THE MINIMUM LAPPED SPLICE FOR MESH SHALL BE MADE SO THAT THE OUTERMOST CROSS BARS OF ONE SHEET OVERLAP THE TWO OUTERMOST BARS CROSS BARS OF THE SHEET BEING LAPPED AS SHOWN BELOW.



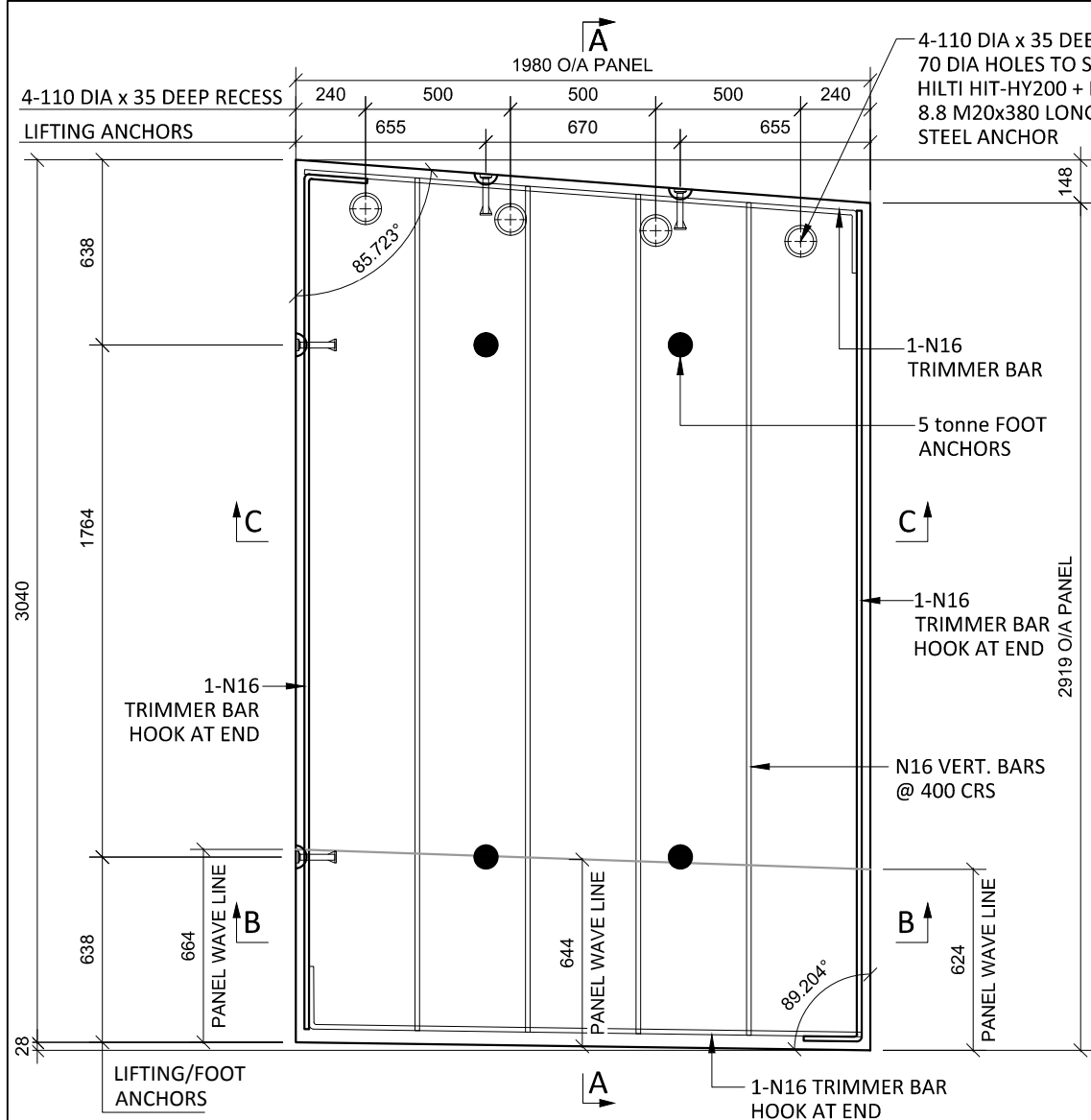
- UNLESS OTHERWISE SPECIFIED, THE MINIMUM DEVELOPMENT LENGTHS AND LENGTHS OF LAPS SHALL BE AS FOLLOWS:

BAR SIZE:	N12	N16	N20	N24
a) HORIZONTAL BARS WITH >300mm OF CONCRETE CAST BELOW THE BAR	500	700	1000	1300
b) OTHER BARS	350	550	750	1000

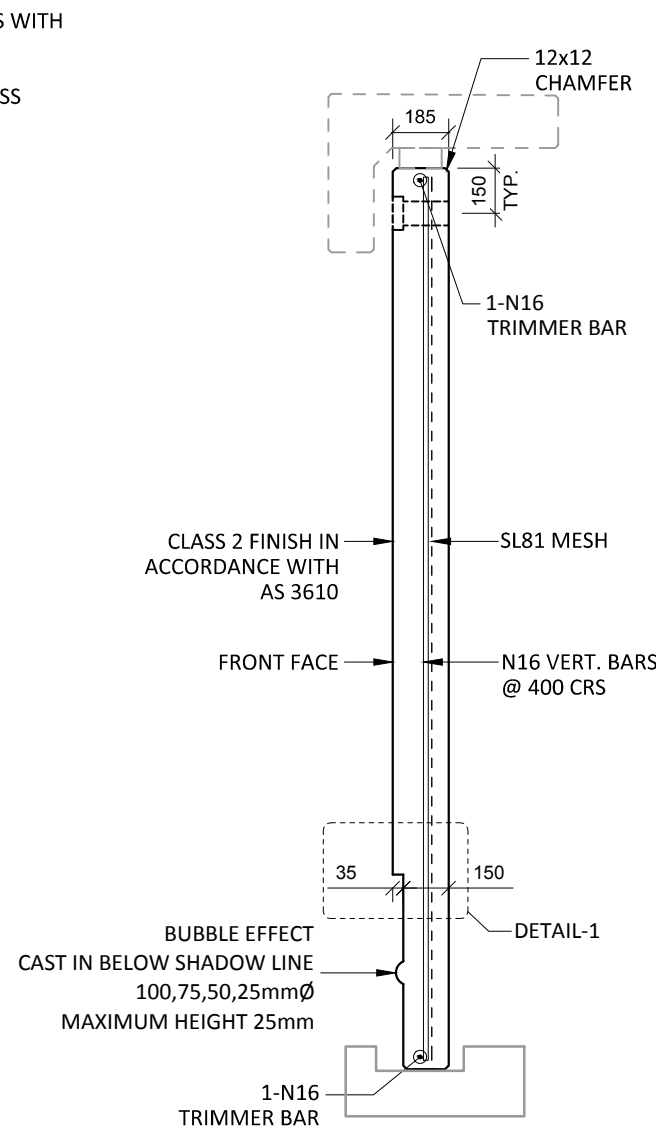
INSPECTION <input type="checkbox"/> TEST PLAN		
INSPECTED BY		
NAME OF FABRICATOR		
UNIT NO.		
CAST DATE		
CAST TIME		
CONCRETE DOCKET NO.		
CONCRETE SPECIF. (MPa)		
ITEM	FABRICATOR INITIAL	APPROVED Y / N
MOULD CLEANLINESS		
RELEASE OIL		
DIMENSIONS		
FORMWORK FIXED		
OPENING / REBATES CORRECT <input type="checkbox"/> POSITION		
HOLD POINT		
REINFORCING CORRECT		
LAPS <input type="checkbox"/> SPLICES CORRECT		
SPACING <input type="checkbox"/> COVER CORRECT		
HOLD POINT		
LIFTERS POSITIONED CORRECTLY		
CAST - IN ITEMS		
STARTERS <input type="checkbox"/> LACING BARS		
APPROVED FOR CASTING		
POST POUR INSPECTION		
INSPECTED BY		
DATE		
ITEM		APPROVED Y / N
SWIFTLIFTS POSITION		
SWIFTLIFTS RECESS CLEANED		
CAST-IN ITEMS CLEANED		
CONCRETE FINISH		
LABELLED (NUMBER / DATED)		
DAMAGE (CRACKS / CHIPPING)		
CLEANLINESS		
ANY ACTION REQUIRED: URBAN DESIGN PANEL FINISH/ BUBBLE EFFECT FINISH		
APPROVED FOR DISPATCH		
SLING ANGLE TO BE NOT LESS THAN 60° TO HORIZONTAL WHEN LIFTING		
40c <input type="checkbox"/> TO ALL EDGES <input type="checkbox"/> FACES (UNO)		
Area (m ²)	5.65	
Vol (m ³)	1.00	
Wt. (t)	2.51	
MPa	40MPa	
FINISH	FRONT FACE URBAN DESIGN PANEL FINISH/ BUBBLE EFFECT FINISH	
NO: OFF	1	

REV.	DATE	DESCRIPTION	DRAWN	APPROVED
0	28/11/2018	ISSUED FOR CONSTRUCTION	JM	

Contractor	Job	Project	Title	COPYRIGHT RESERVED	Drawn	JM	Date	28/11/2018	Lot No.	163A
Designer	NORTHERN BEACHES COUNCIL NORTHERN BEACHES HOSPITAL CONNECTIVITY AND NETWORK ENHANCEMENT		ONE 2000 - STAGE 2 2SL-01-EB PRECAST FASCIA PANEL F1-18		Checked	HP	Scale (A3)	1:10 1:25 1:60	P- F1-18	Dwg No.



F1-19 PLAN AS CAST - 150/185 THK
SCALE :- 1:25 SL81 MESH NOT SHOWN FOR CLARITY

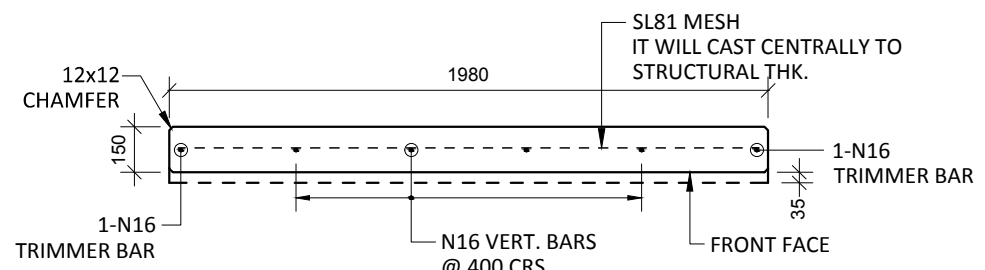


SECTION A-A
SCALE :- 1:25

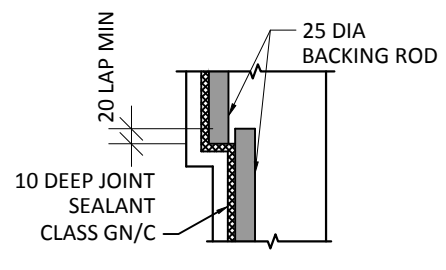
- NOTES.**
CONCRETE
- CONCRETE SHALL HAVE A MIN. 28 DAY COMPRESSIVE STRENGTH OF 40MPa.
 - PLACING AND CURING OF CONCRETE SHALL COMPLY WITH RMS D+C SPECIFICATION B80.
 - ALL CORNERS SHALL HAVE 12mmx12mm FILLETS OR CHAMFERS - U.N.O. ON DRAWINGS.
 - CONCRETE EXPOSURE CLASSIFICATION: B1 TO RMS D+C SPECIFICATION B80 UNO.
 - CONCRETE MIX SHALL BE IN ACCORDANCE WITH RMS D+C SPECIFICATION B80.
 - LIFTERS HDG & ALL FIXING ARE SS.

- REINFORCING**
- COVER: 40mm U.O.N
 - ALL REINFORCEMENT SHALL COMPLY WITH AS4671 GRADE D500N (TYPICAL).
 - SPACING: TO BE TAKEN AS EVEN UNLESS NOTED OTHERWISE.
 - BENDING: BAR BENDING & HOOK DETAILS SHALL BE IN ACCORDANCE WITH AS5100.5.
 - WHERE REBATES OR RECESSES ARE REQUIRED, MIN. CLEAR COVER TO THE REINFORCEMENT SHALL BE MAINTAINED.
 - N16 TRIMMER BARS TO BE PROVIDED ALL AROUND.
 - REINFORCEMENT MAY BE SHOWN DIAGRAMMATICALLY AND MAY NOT NECESSARILY BE IN TRUE PROJECTION. THE MINIMUM LAPPED SPLICE FOR MESH SHALL BE MADE SO THAT THE OUTERMOST CROSS BARS OF ONE SHEET OVERLAP THE TWO OUTERMOST BARS CROSS BARS OF THE SHEET BEING LAPPED AS SHOWN BELOW.
- UNLESS OTHERWISE SPECIFIED, THE MINIMUM DEVELOPMENT LENGTHS AND LENGTHS OF LAPS SHALL BE AS FOLLOWS:

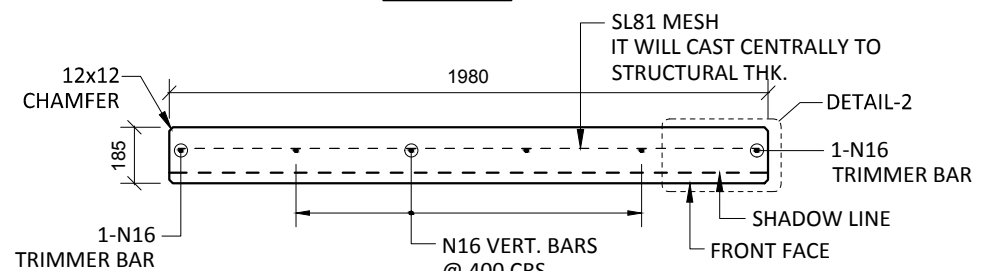
BAR SIZE:	N12	N16	N20	N24
a) HORIZONTAL BARS WITH >300mm OF CONCRETE CAST BELOW THE BAR	500	700	1000	1300
b) OTHER BARS	350	550	750	1000



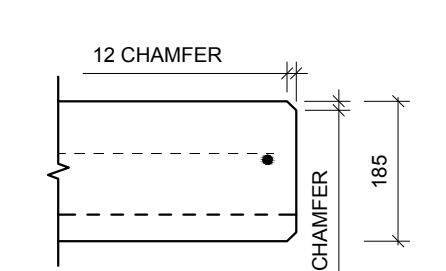
SECTION B-B
SCALE :- 1:25



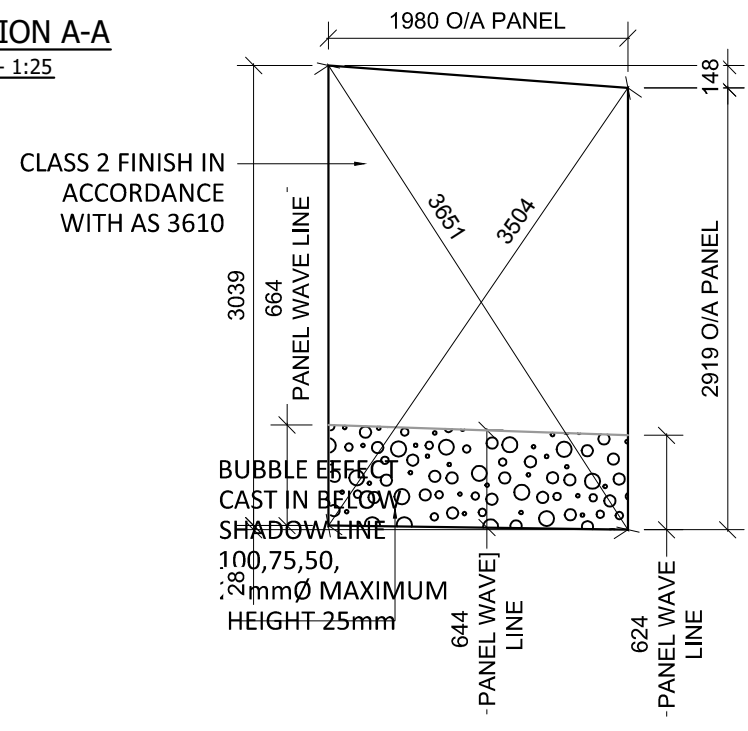
DETAIL-1
SCALE :- 1:10



SECTION C-C
SCALE :- 1:25



DETAIL-2
SCALE :- 1:10

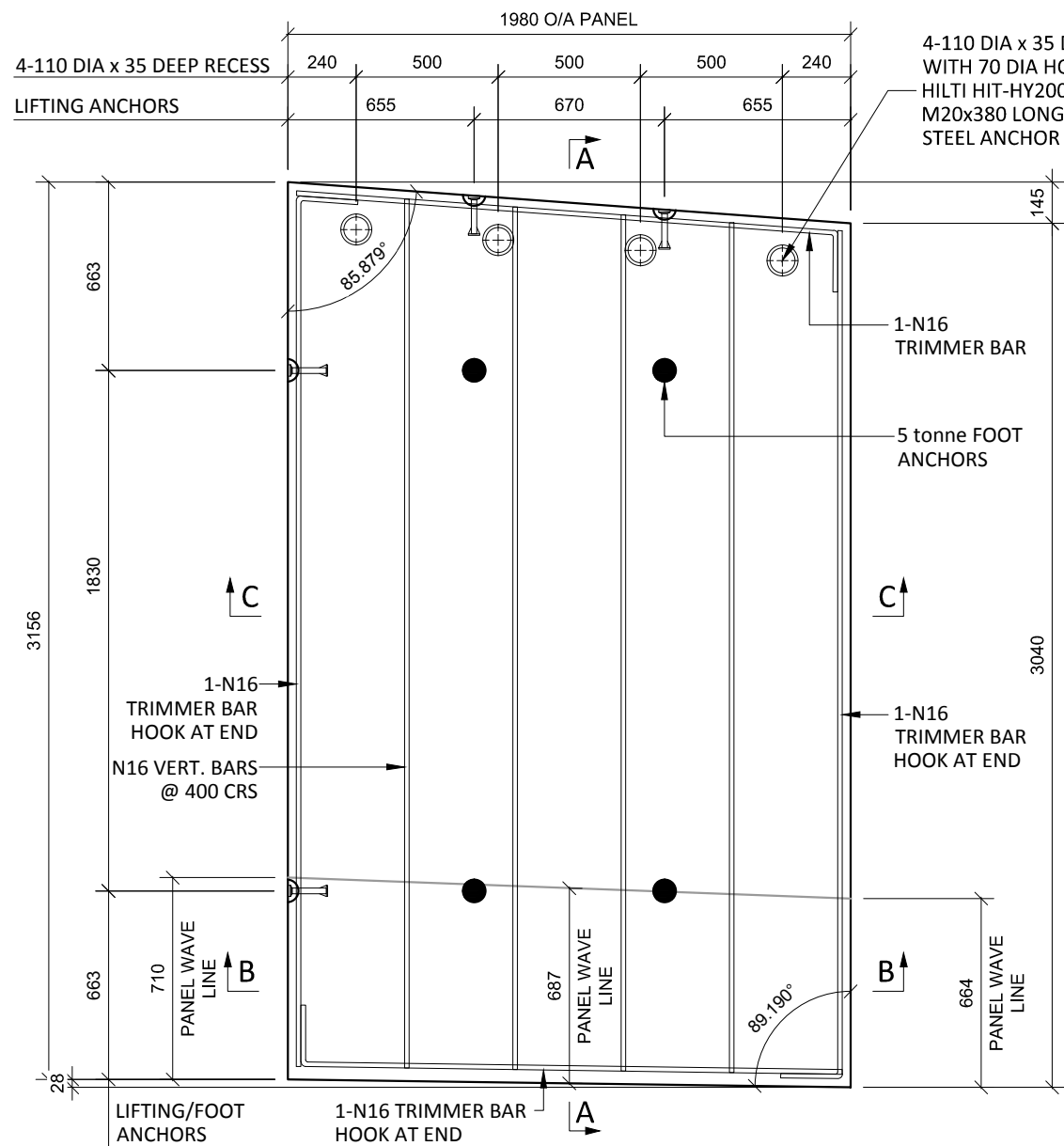


VIEWED AS CAST
SCALE :- 1:50

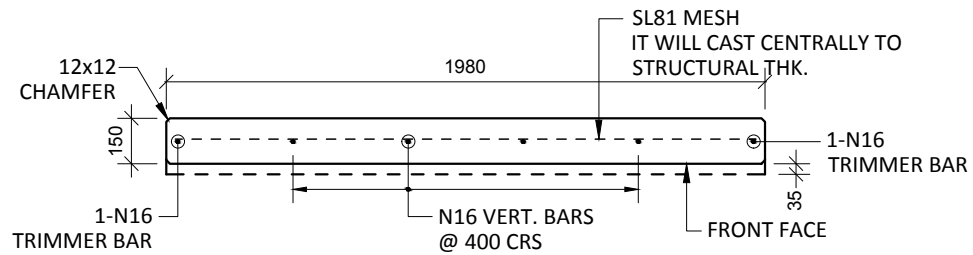
INSPECTION <input type="checkbox"/> TEST PLAN	
INSPECTED BY	
NAME OF FABRICATOR	
UNIT NO.	
CAST DATE	
CAST TIME	
CONCRETE DOCKET NO.	
CONCRETE SPECIF. (MPa)	
ITEM	FABRICATOR APPROVED INITIAL Y / N
MOULD CLEANLINESS	
RELEASE OIL	
DIMENSIONS	
FORMWORK FIXED	
OPENING / REBATES CORRECT <input type="checkbox"/> POSITION	
HOLD POINT	
REINFORCING CORRECT	
LAPS <input type="checkbox"/> SPLICES CORRECT	
SPACING <input type="checkbox"/> COVER CORRECT	
HOLD POINT	
LIFTERS POSITIONED CORRECTLY	
CAST - IN ITEMS	
STARTERS/LACING BARS	
APPROVED FOR CASTING	
POST POUR INSPECTION	
INSPECTED BY	
DATE	
ITEM	APPROVED Y / N
SWIFTLIFTS POSITION	
SWIFTLIFTS RECESS CLEANED	
CAST-IN ITEMS CLEANED	
CONCRETE FINISH	
LABELLED (NUMBER / DATED)	
DAMAGE (CRACKS / CHIPPING)	
CLEANLINESS	
ANY ACTION REQUIRED: URBAN DESIGN PANEL FINISH/ BUBBLE EFFECT FINISH	
APPROVED FOR DISPATCH	
SLING ANGLE TO BE NOT LESS THAN 60° TO HORIZONTAL WHEN LIFTING	
40c <input type="checkbox"/> TO ALL EDGES <input type="checkbox"/> FACES (UNO)	
Area (m ²)	5.90
Vol (m ³)	1.05
Wt. (t)	2.62
MPa	40MPa
FINISH	FRONT FACE URBAN DESIGN PANEL FINISH/ BUBBLE EFFECT FINISH
NO: OFF	1

REV.	DATE	DESCRIPTION	DRAWN	APPROVED
0	28/11/2018	ISSUED FOR CONSTRUCTION		NG

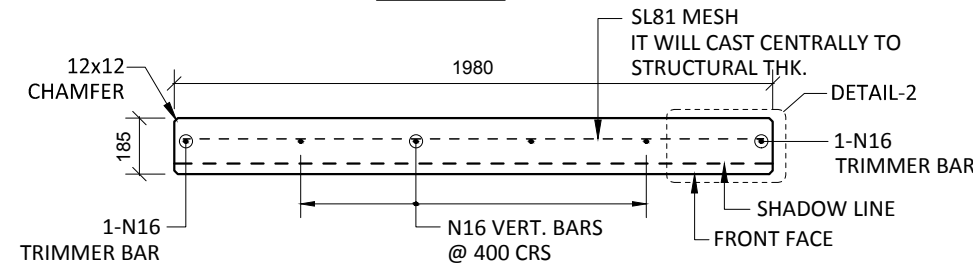
Contractor	Job	Project	Title	COPYRIGHT RESERVED	Drawn	NG	Date	28/11/2018	Lot No.	163A
Designer	NORTHERN BEACHES COUNCIL NORTHERN BEACHES HOSPITAL CONNECTIVITY AND NETWORK ENHANCEMENT		ONE 2000 - STAGE 2 2SL-01-EB PRECAST FASCIA PANEL F1-19		Checked	HP	Scale (A3)	1:10 1:25	P- F1-19	0



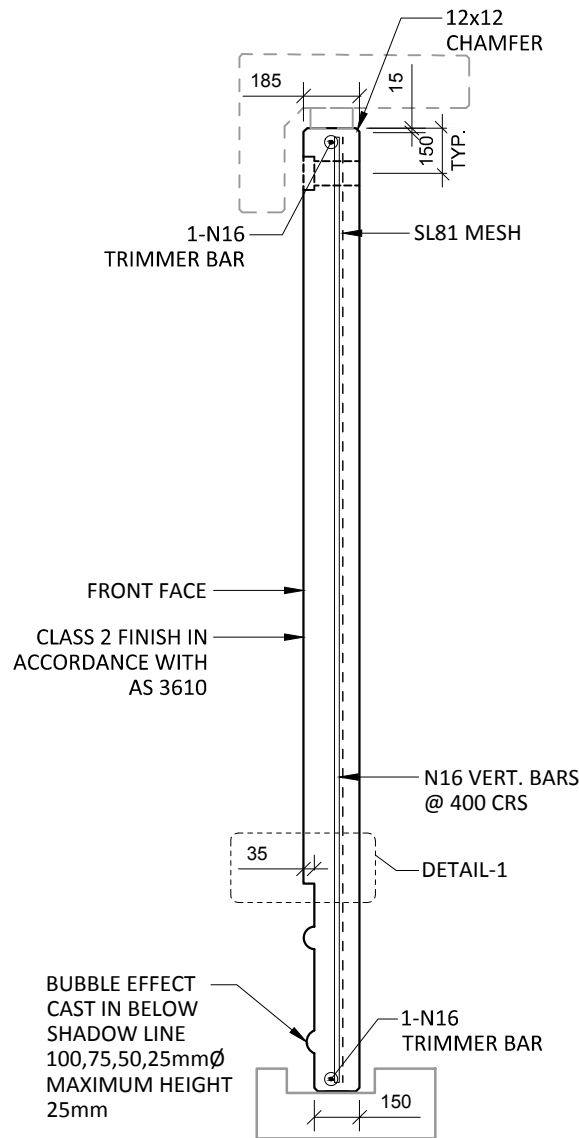
F1-20 PLAN AS CAST - 150/185 THK
SCALE :- 1:25 SL81 MESH NOT SHOWN FOR CLARITY



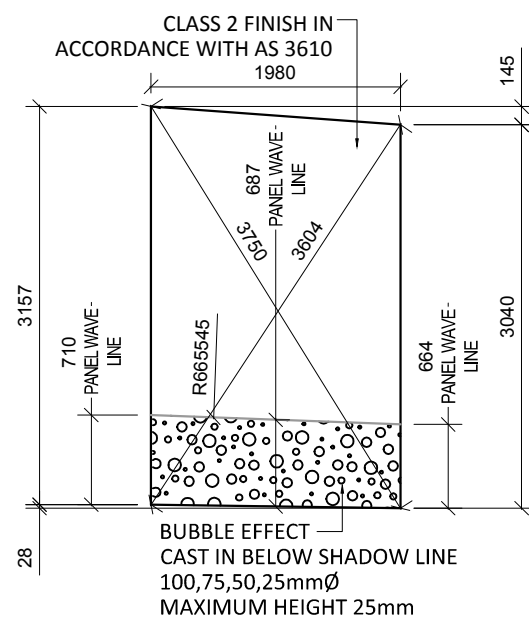
SECTION B-B
SCALE :- 1:25



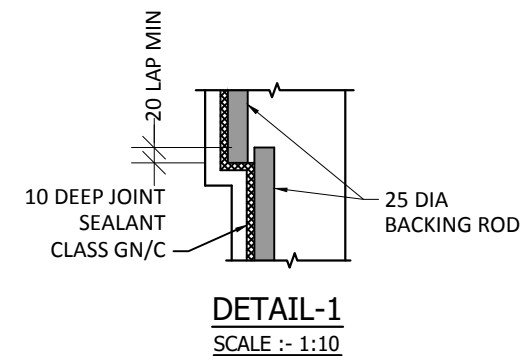
SECTION C-C
SCALE :- 1:25



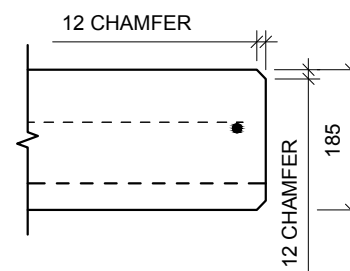
SECTION A-A
SCALE :- 1:25



VIEWED AS CAST
SCALE :- 1:60



DETAIL-1
SCALE :- 1:10



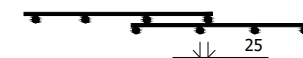
DETAIL-2
SCALE :- 1:10

NOTES.
CONCRETE

- CONCRETE SHALL HAVE A MIN. 28 DAY COMPRESSIVE STRENGTH OF 40MPa.
- PLACING AND CURING OF CONCRETE SHALL COMPLY WITH RMS D+C SPECIFICATION B80.
- ALL CORNERS SHALL HAVE 12mmx12mm FILLETS OR CHAMFERS - U.N.O. ON DRAWINGS.
- CONCRETE EXPOSURE CLASSIFICATION: B1 TO RMS D+C SPECIFICATION B80 UNO.
- CONCRETE MIX SHALL BE IN ACCORDANCE WITH RMS D+C SPECIFICATION B80.
- LIFTERS HDG & ALL FIXING ARE SS.

REINFORCING

- COVER: 40mm U.O.N
- ALL REINFORCEMENT SHALL COMPLY WITH AS4671 GRADE D500N (TYPICAL).
- SPACING: TO BE TAKEN AS EVEN UNLESS NOTED OTHERWISE.
- BENDING: BAR BENDING & HOOK DETAILS SHALL BE IN ACCORDANCE WITH AS5100.5.
- WHERE REBATES OR RECESSES ARE REQUIRED, MIN. CLEAR COVER TO THE REINFORCEMENT SHALL BE MAINTAINED.
- N16 TRIMMER BARS TO BE PROVIDED ALL AROUND.
- REINFORCEMENT MAY BE SHOWN DIAGRAMMATICALLY AND MAY NOT NECESSARILY BE IN TRUE PROJECTION. THE MINIMUM LAPPED SPLICE FOR MESH SHALL BE MADE SO THAT THE OUTERMOST CROSS BARS OF ONE SHEET OVERLAP THE TWO OUTERMOST BARS CROSS BARS OF THE SHEET BEING LAPPED AS SHOWN BELOW.



- UNLESS OTHERWISE SPECIFIED, THE MINIMUM DEVELOPMENT LENGTHS AND LENGTHS OF LAPS SHALL BE AS FOLLOWS:

BAR SIZE:	N12	N16	N20	N24
a) HORIZONTAL BARS WITH >300mm OF CONCRETE CAST BELOW THE BAR	500	700	1000	1300
b) OTHER BARS	350	550	750	1000

INSPECTION <input type="checkbox"/> TEST PLAN	
INSPECTED BY	
NAME OF FABRICATOR	
UNIT NO.	
CAST DATE	
CAST TIME	
CONCRETE DOCKET NO.	
CONCRETE SPECIF. (MPa)	
ITEM	FABRICATOR APPROVED INITIAL Y / N
MOULD CLEANLINESS	
RELEASE OIL	
DIMENSIONS	
FORMWORK FIXED	
OPENING / REBATES CORRECT <input type="checkbox"/> POSITION	
HOLD POINT	
REINFORCING CORRECT	
LAPS <input type="checkbox"/> SPLICES CORRECT	
SPACING <input type="checkbox"/> COVER CORRECT	
HOLD POINT	
LIFTERS POSITIONED CORRECTLY	
CAST - IN ITEMS	
STARTERS/PLACING BARS	
APPROVED FOR CASTING	
POST POUR INSPECTION	
INSPECTED BY	
DATE	
ITEM	APPROVED Y / N
SWIFTLIFTS POSITION	
SWIFTLIFTS RECESS CLEANED	
CAST-IN ITEMS CLEANED	
CONCRETE FINISH	
LABELLED (NUMBER / DATED)	
DAMAGE (CRACKS / CHIPPING)	
CLEANLINESS	
ANY ACTION REQUIRED: URBAN DESIGN PANEL FINISH/ BUBBLE EFFECT FINISH	
APPROVED FOR DISPATCH	
SLING ANGLE TO BE NOT LESS THAN 60° TO HORIZONTAL WHEN LIFTING	
40c <input type="checkbox"/> TO ALL EDGES <input type="checkbox"/> FACES (UNO)	
Area (m ²)	6.13
Vol (m ³)	1.09
Wt. (t)	2.72
MPa	40MPa
FINISH	FRONT FACE URBAN DESIGN PANEL FINISH/ BUBBLE EFFECT FINISH
NO: OFF	1

REV.	DATE	DESCRIPTION	DRAWN	APPROVED
0	28/11/2018	ISSUED FOR CONSTRUCTION	JM	

Contractor	Job	Project	Title	COPYRIGHT RESERVED	Drawn	JM	Date	28/11/2018	Lot No.	163A
Designer	NORTHERN BEACHES COUNCIL NORTHERN BEACHES HOSPITAL CONNECTIVITY AND NETWORK ENHANCEMENT		ONE 2000 - STAGE 2 2SL-01-EB PRECAST FASCIA PANEL F1-20		Checked	HP	Scale (A3)	1:10 1:25 1:60	P- F1-20 Dwg No.	0 REV.