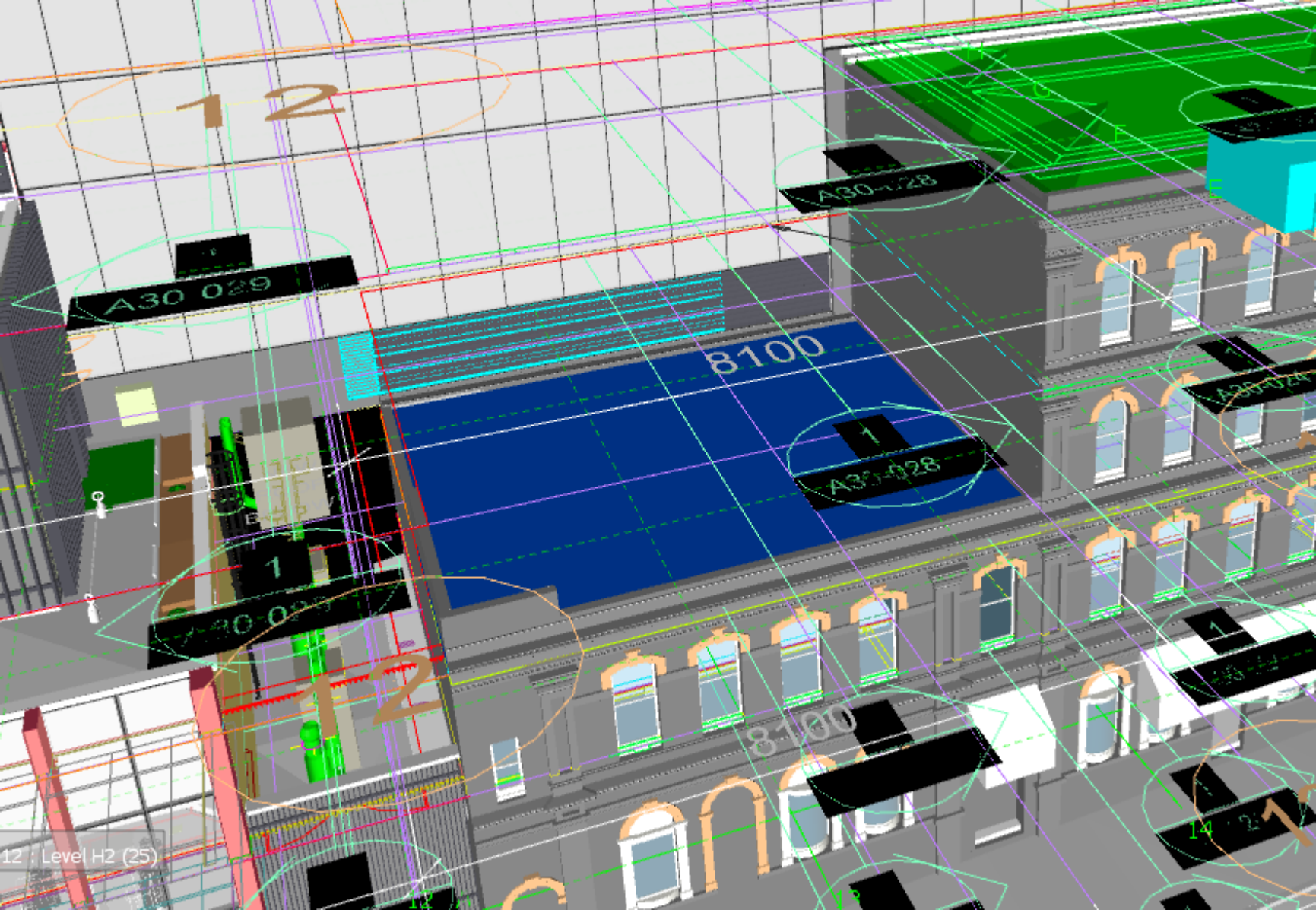
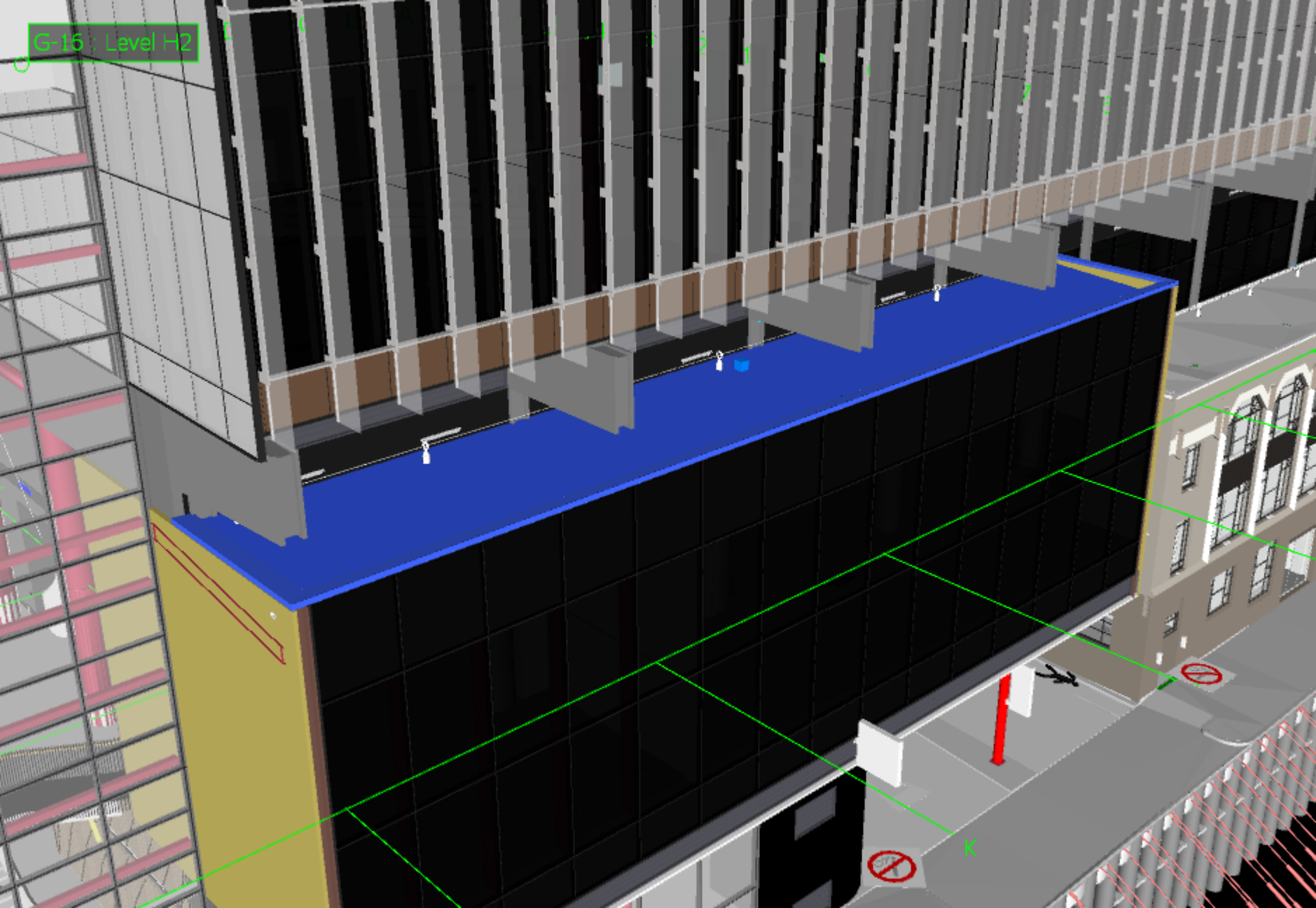
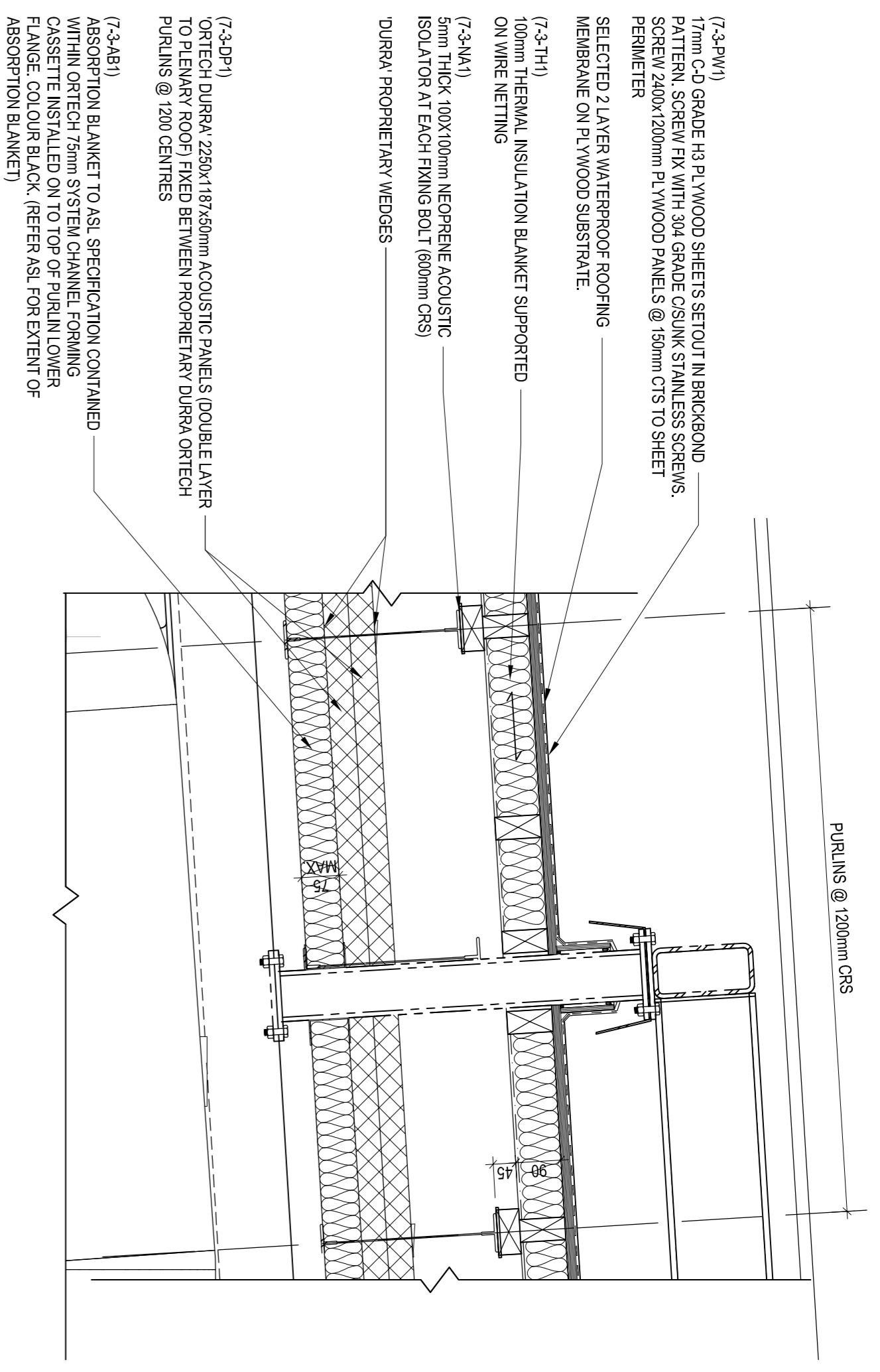


Level H2 (50)

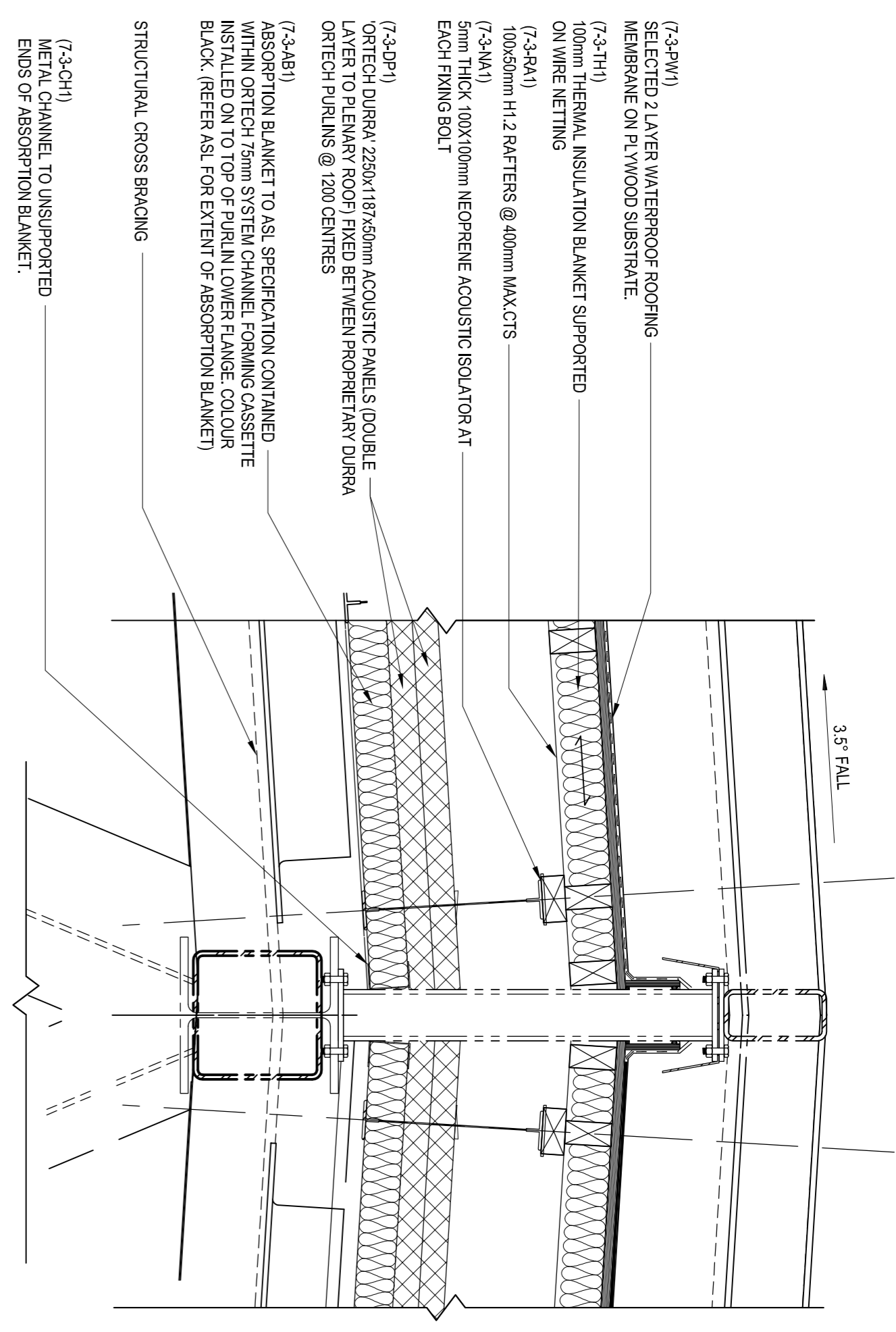


G-15 Level H2

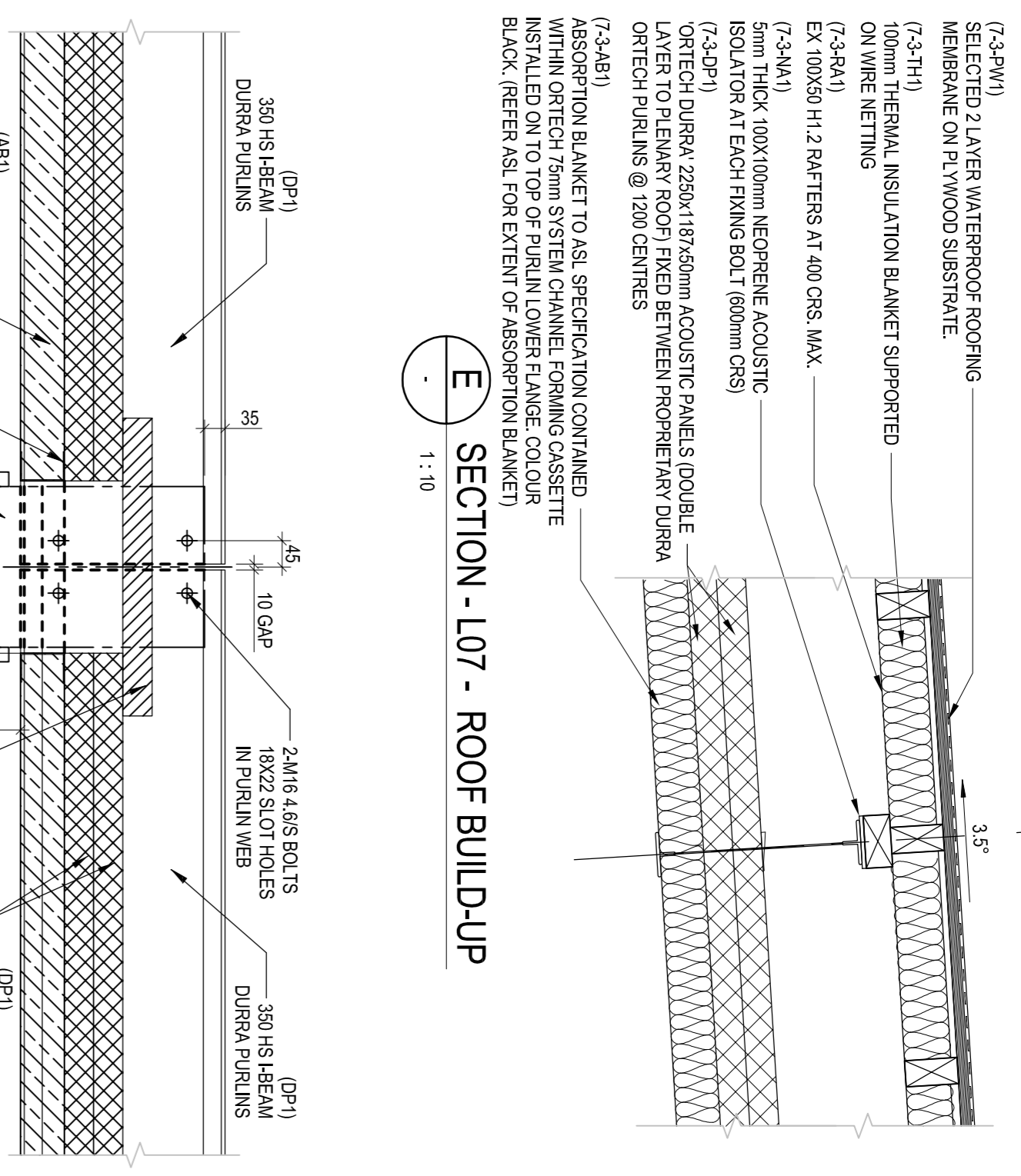




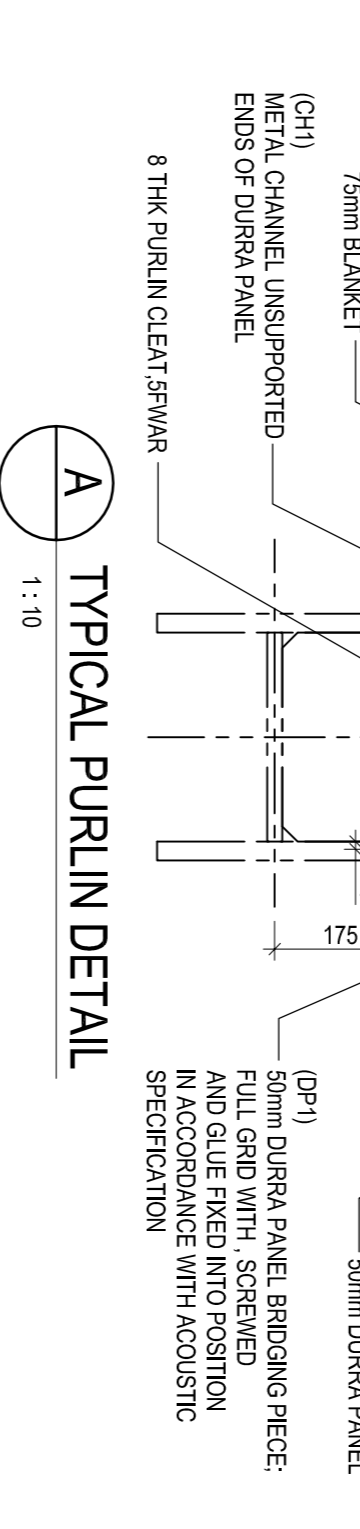
C SECTION PLEINARY ROOF BUILDUP
1:10



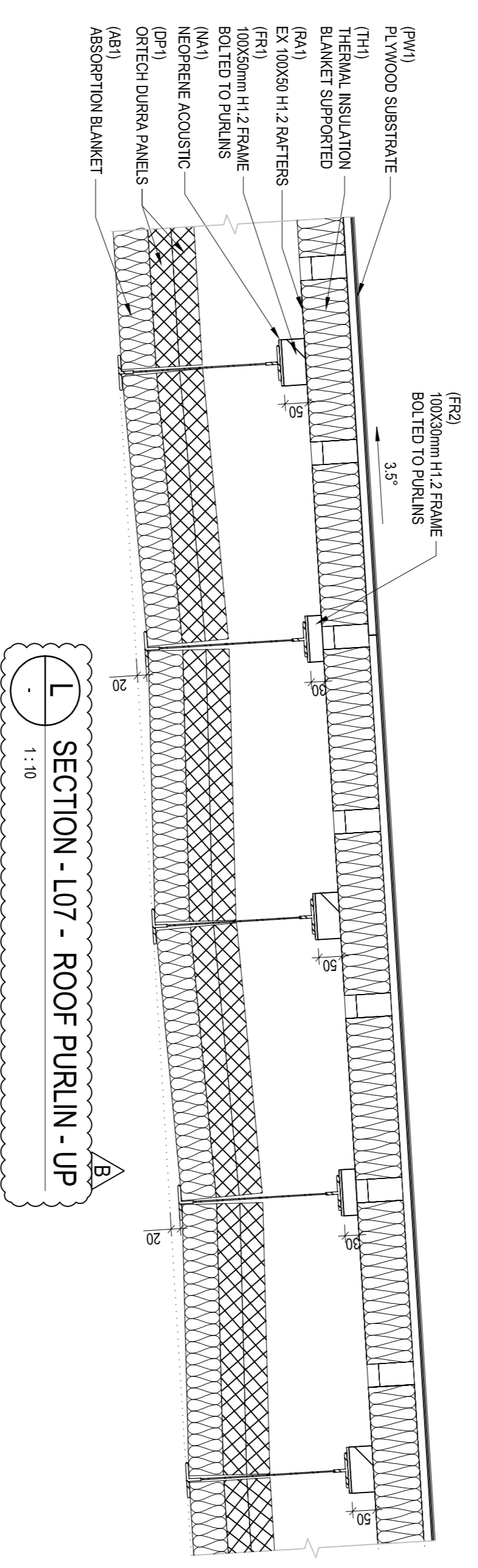
D SECTION - L07 - PLEINARY RIDGE
1:10



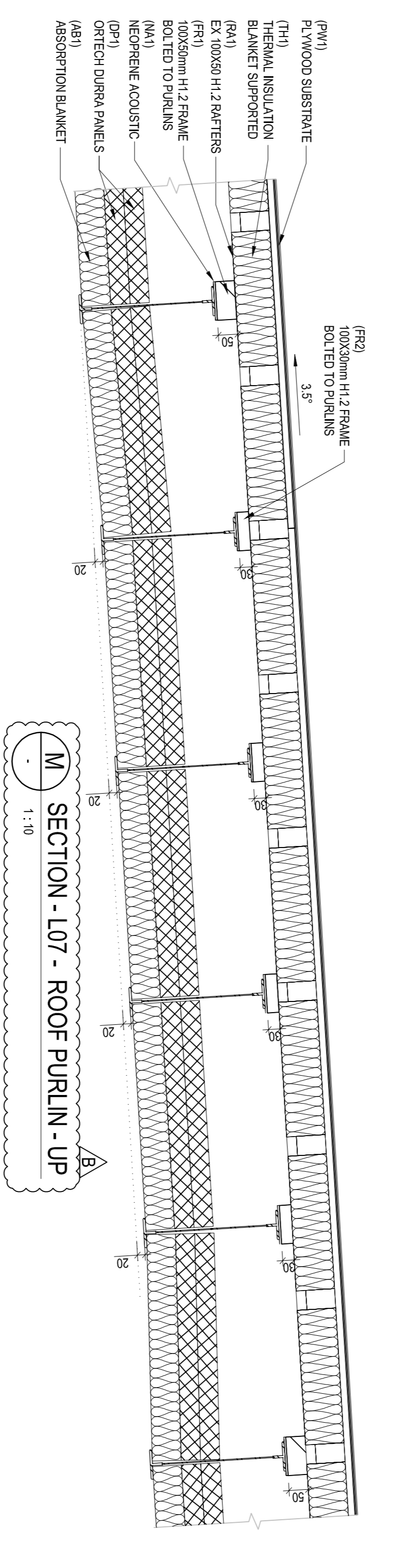
E SECTION - L07 - ROOF BUILD-UP
1:10



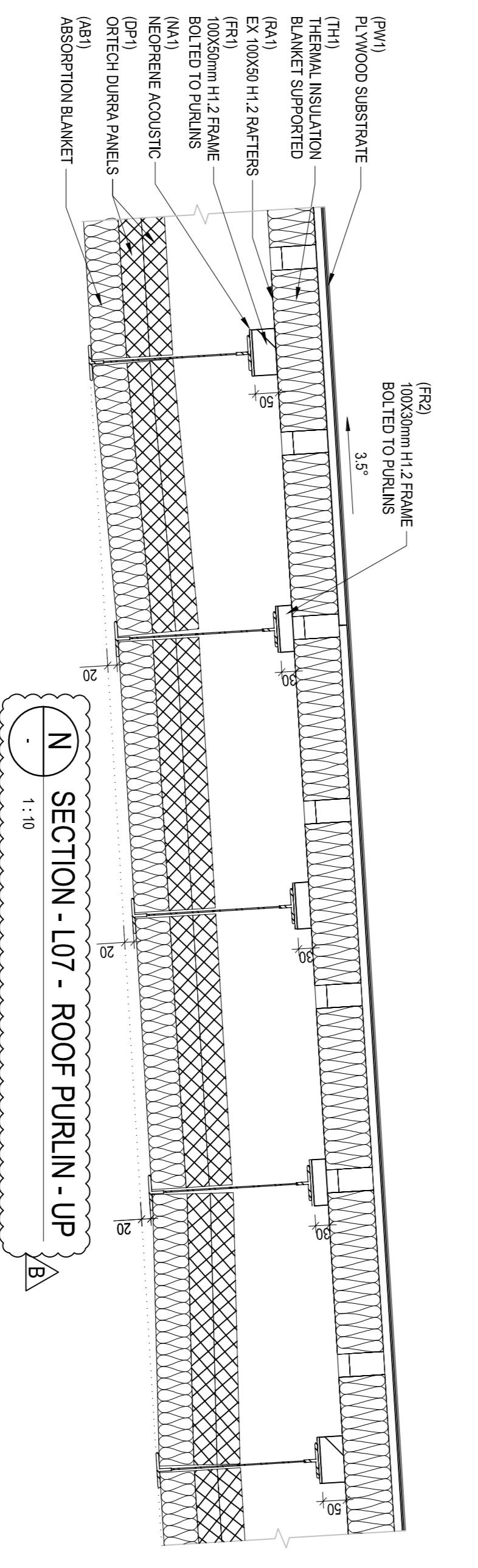
A TYPICAL PURLIN DETAIL
1:10



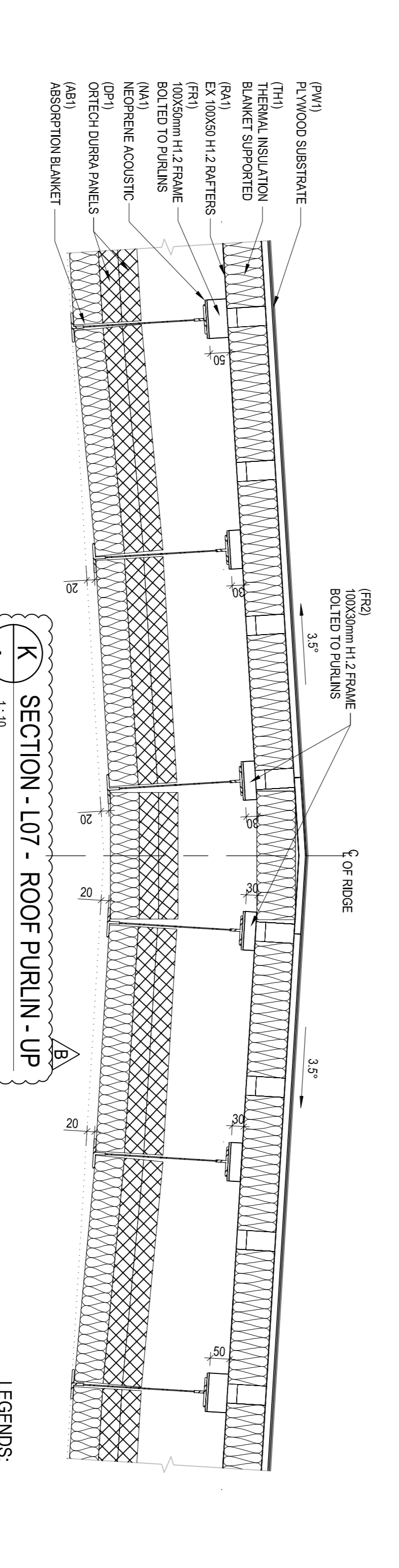
L SECTION - L07 - ROOF PURLIN - UP
1:10



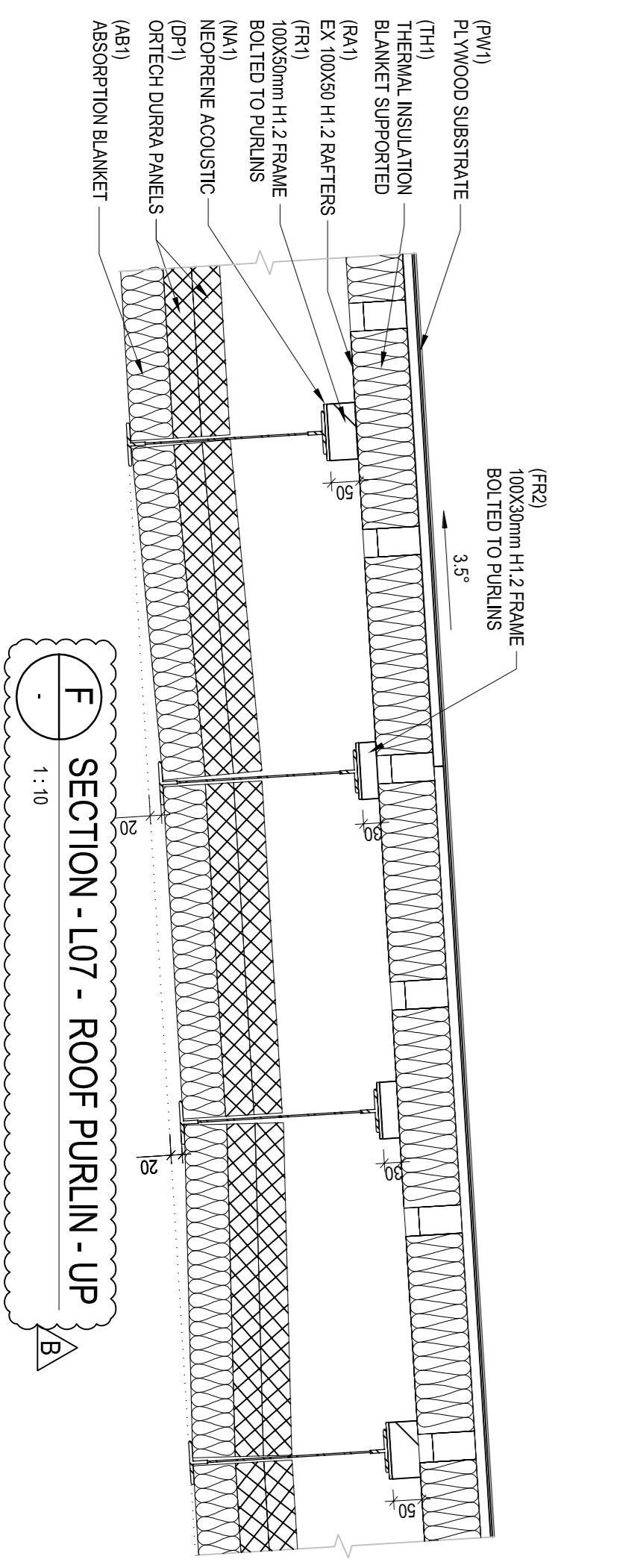
M SECTION - L07 - ROOF PURLIN - UP
1:10



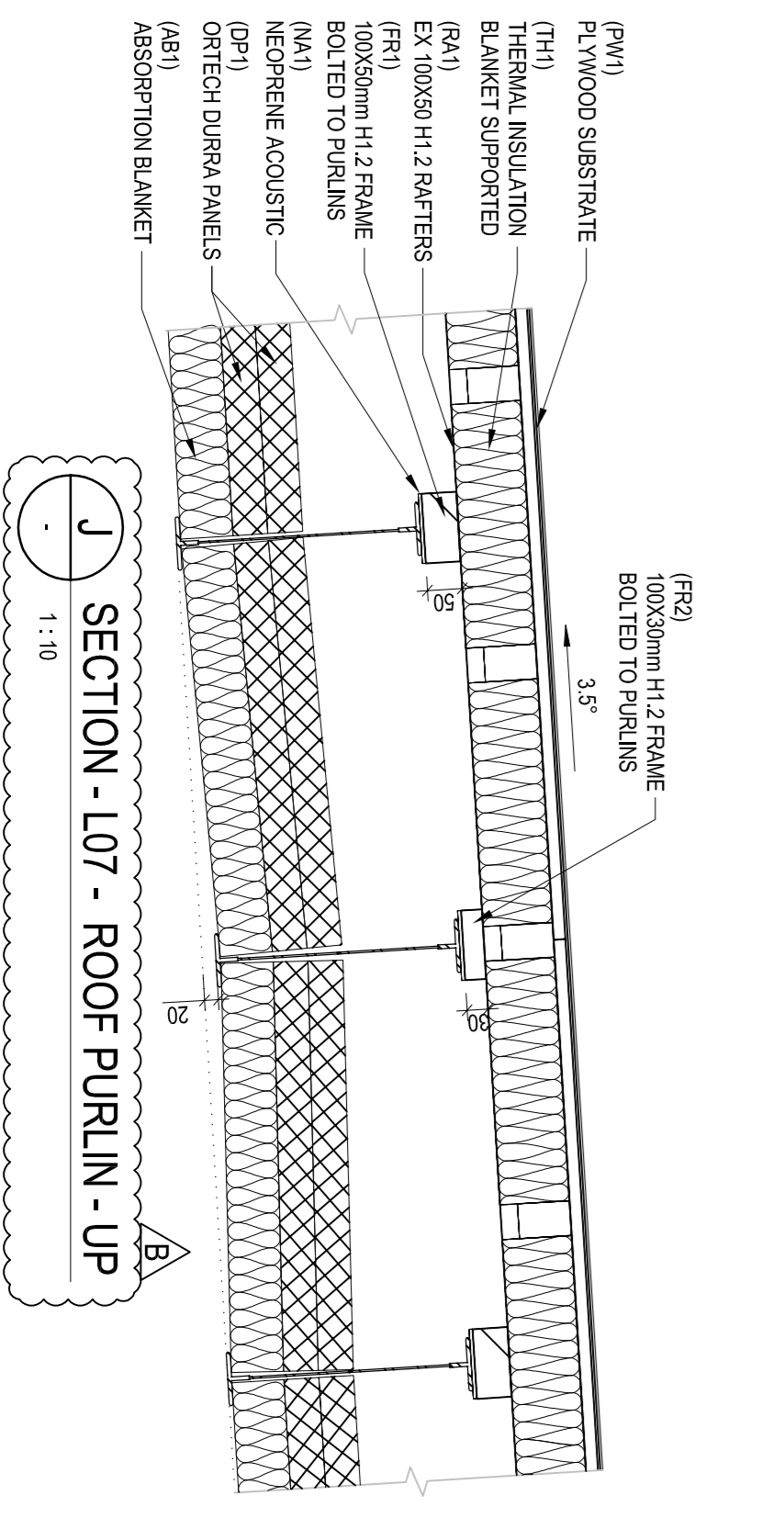
N SECTION - L07 - ROOF PURLIN - UP
1:10



K SECTION - L07 - ROOF PURLIN - UP
1:10



F SECTION - L07 - ROOF PURLIN - UP
1:10



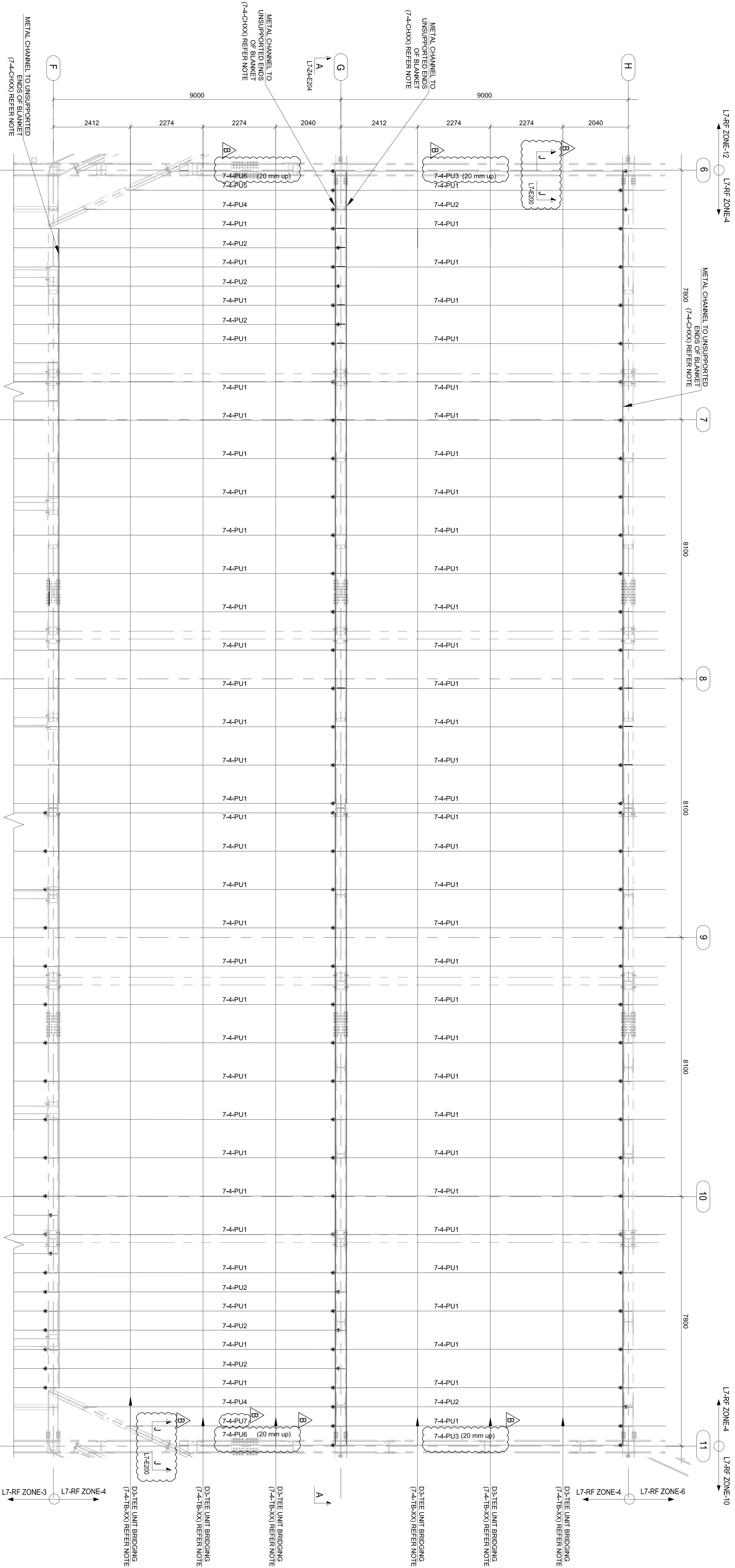
J SECTION - L07 - ROOF PURLIN - UP
1:10

- LEGENDS:**
- X - X - XX XX MARK NUMBER
 - MEMBER PROFILE
 - ZONE NUMBER
 - LEVEL

- ABBREVIATIONS:-**
- DP = DURRA PANEL
 - DPB = DURRA PANEL BRIDGING
 - AB = ABSORPTION BLANKET
 - TB = D3-TTEE UNIT BRIDG
 - CH = CHANNEL
 - PJ = PURLIN
 - FR = H1.2 FRAME
 - NA = NEOPRENE ACOUSTIC
 - RA = H1.2 RAFTER
 - PW = 17mm PLYWOOD SHEET
 - TH = THERMAL INSULATION
 - BL = H1.2 BLOCKING

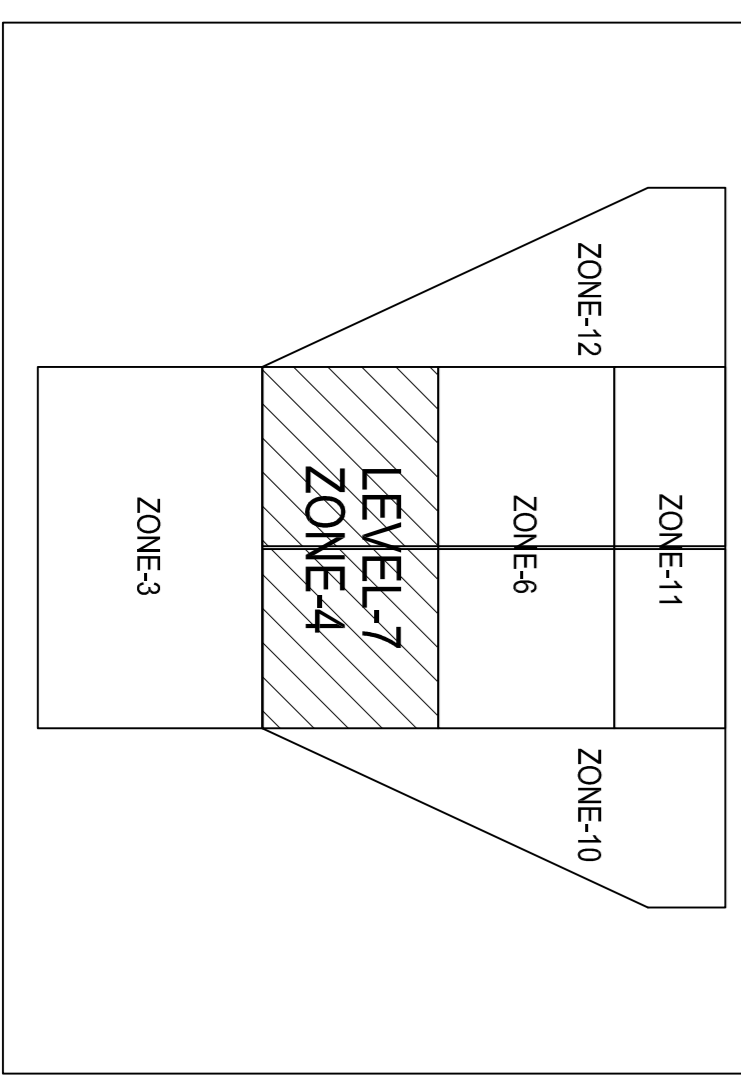
REV. MARK	REVISION DESCRIPTION	DATE
A	FOR APPROVAL	23-12-2017
B	UPDATED AS PER RB-11 & 18 RESPONSE	30-01-2018

DRAWING TITLE	TYPICAL DETAILS (LEVEL 07 - ZONE 4, 6, 10, 11 & 12)
CONTRACT	SP
MODELLED BY	SP
CONTRACT NO	-
SCALE	1:10
DRAWING NO	L7-E200
REVISION NO.	B



DURRA STEEL PURLIN LAYOUT PLAN (LEVEL 07-ZONE-4)

SCALE: 1:180



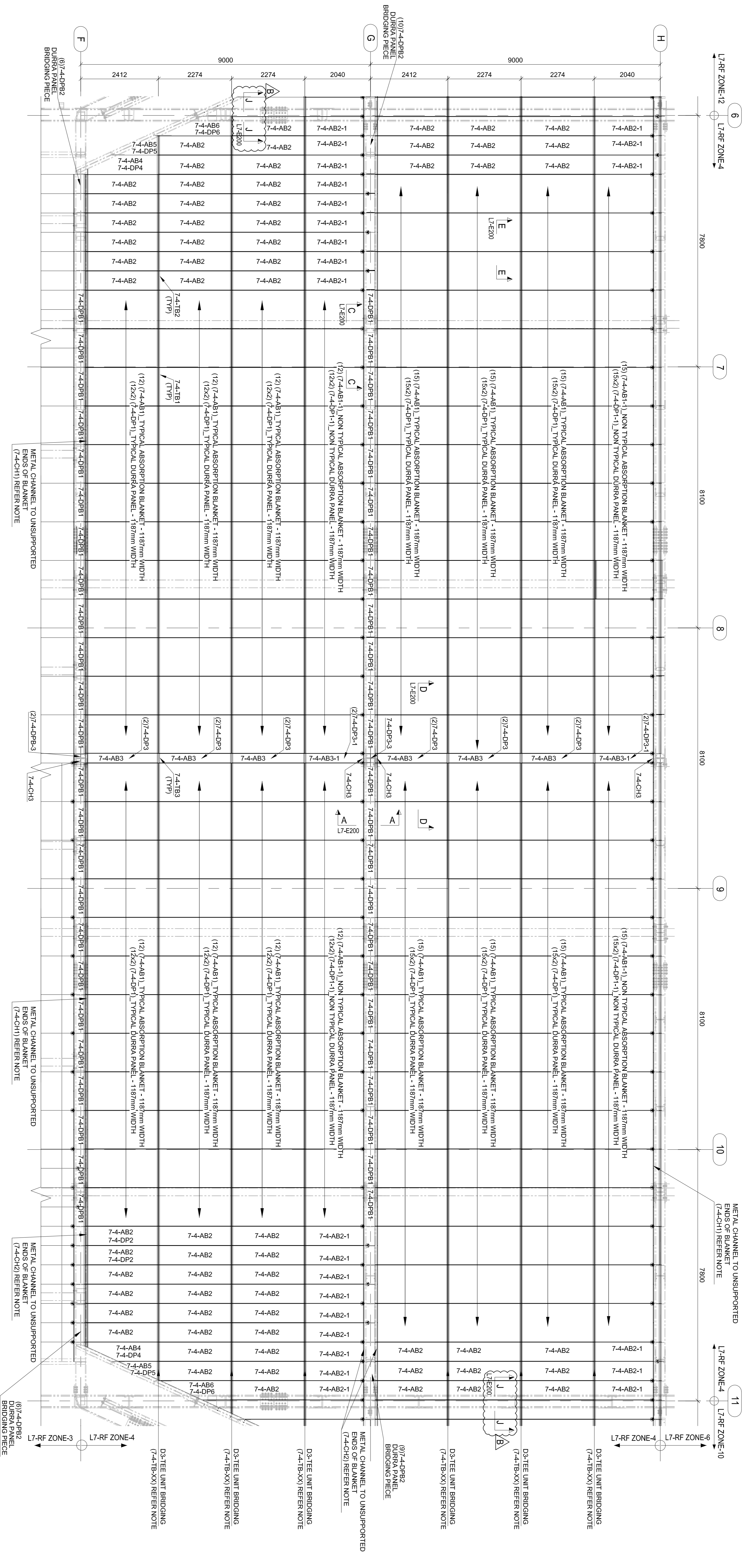
NOTE:-
 FOLLOW MARK (7-4-7B1) FOR 1200 LENGTH SPAN TYP.
 FOLLOW MARK (7-4-7B2) FOR 600 LENGTH SPAN TYP.
 FOLLOW MARK (7-4-7B3) FOR 300 LENGTH BRIDGE SPAN TYP.
 TYPE D3 CROSS TEE UNIT BRIDGING TYPICAL
 FOLLOW MARK (7-4-4H1) FOR 1200 LENGTH SPAN TYP.
 FOLLOW MARK (7-4-4H2) FOR 600 LENGTH SPAN TYP.
 FOLLOW MARK (7-4-4H3) FOR 300 LENGTH BRIDGE SPAN TYP.
 METAL CHANNEL TO UNSUPPORTED ENDS OF ABSORPTION BLANKET.

ABBREVIATIONS:-
 PU = PURLIN
 TB = D3-TEE UNIT BRIDG
 CH = CHANNEL

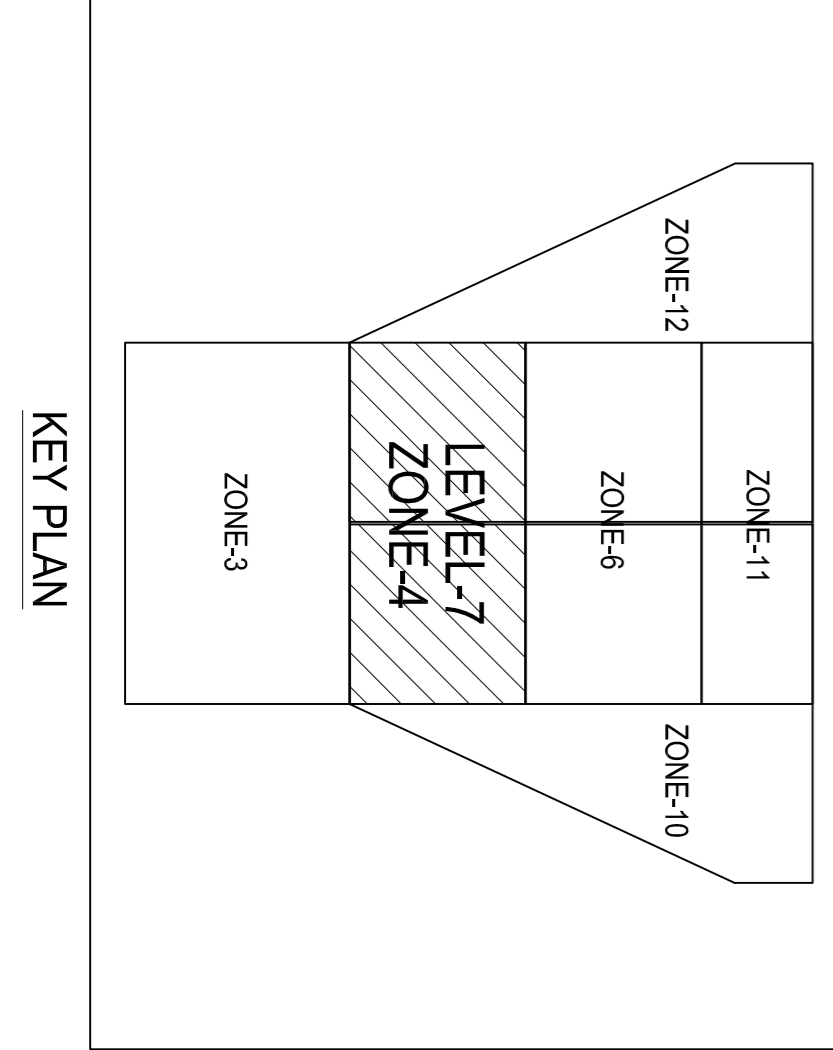
LEGENDS:
 X-X-XX-XX MARK NUMBER
 MEMBER PROFILE
 LEVEL
 ORIENTATION MARK

REV. MARK	REVISION DESCRIPTION	REVISION DATE
B	UPDATED AS PER RB-17 RESPONSE FOR APPROVAL	30-01-2018
A		08-01-2018

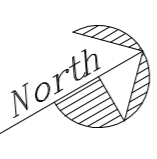
DRAWING TITLE	DURRA STEEL PURLIN LAYOUT PLAN (LEVEL 07 - ZONE-4)	ISSUE DATE	30-01-2018
CONTRACT	SP	SCALE	1:80
MODELLED BY		REVISION No.	B
CONTRACT NO	L7-Z4-E201		
DRAWING No			



NOTE:-
 FOLLOW MARK (7-4-1B1) FOR 1200 LENGTH SPAN TYP.
 FOLLOW MARK (7-4-1B2) FOR 600 LENGTH SPAN TYP.
 FOLLOW MARK (7-4-1B3) FOR 300 LENGTH RIDGE SPAN TYP.
 TYPE D3 CROSS TEE UNIT BRIDGING TYPICAL.
 FOLLOW MARK (7-4-CH1) FOR 1200 LENGTH SPAN TYP.
 FOLLOW MARK (7-4-CH2) FOR 600 LENGTH SPAN TYP.
 FOLLOW MARK (7-4-CH3) FOR 300 LENGTH SPAN TYP.
 METAL CHANNEL TO UNSUPPORTED ENDS OF ABSORPTION BLANKET.



DURRA PANEL LAYOUT PLAN (LEVEL 07-ZONE-4)
 SCALE :- 1:60



ABBREVIATIONS:-
 DP = DURRA PANEL
 DPB = DURRA PANEL BRIDGING
 AB = ABSORPTION BLANKET
 TS = CROSS TEE UNIT BRIDG
 CH = CHANNEL

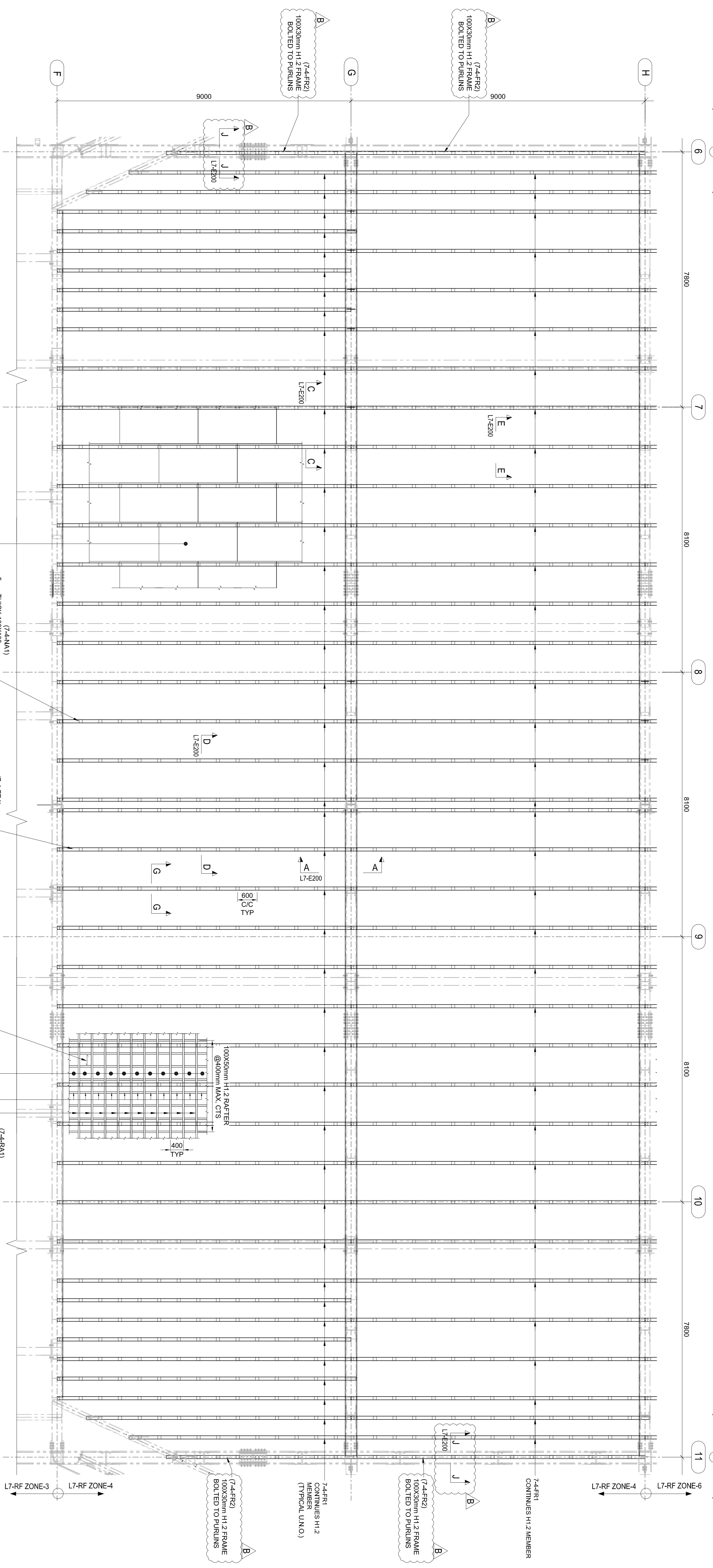
LEGENDS:
 X-X-XX-XX MARK NUMBER
 MEMBER PROFILE
 ZONE NUMBER
 LEVEL

REV	MARK	REVISION DESCRIPTION	REVISION DATE
B		UPDATED AS PER RB-17 RESPONSE FOR APPROVAL	30-01-2018
A			08-01-2018

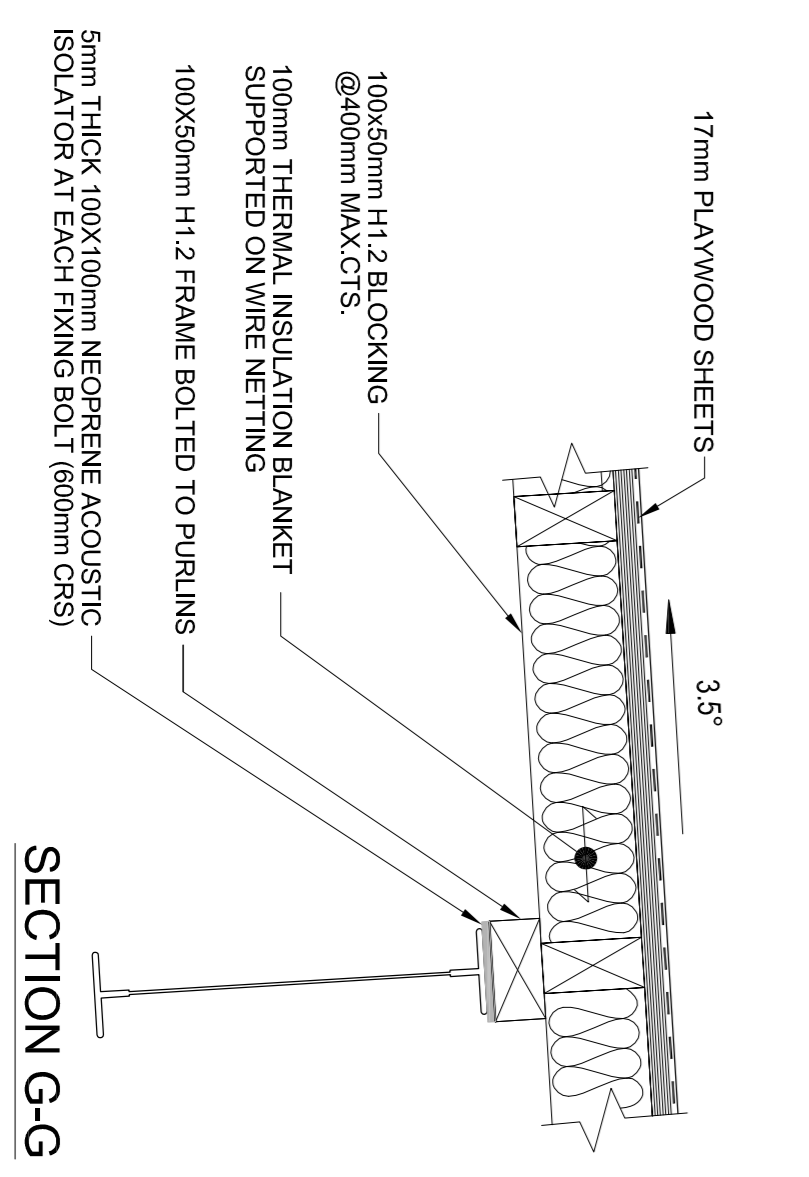
DRAWING TITLE	DURRA PANEL LAYOUT PLAN (LEVEL 07-ZONE-4)	ISSUE DATE	30-01-2018
CONTRACT		SCALE	1:60
MODELLED BY	SP	ISSUE DATE	30-01-2018
CONTRACT NO		SCALE	1:60
DRAWING No	L7-Z4-E202	REVISION No.	B

L7-RF ZONE-12 ← L7-RF ZONE-4

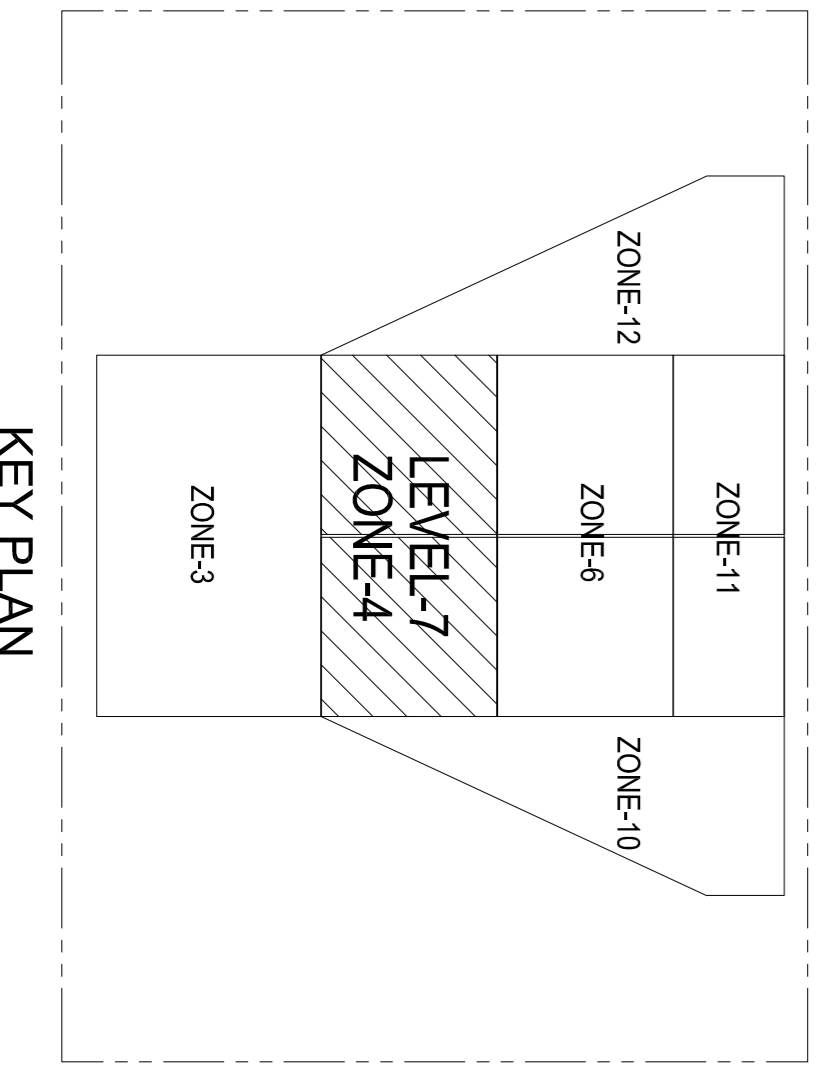
L7-RF ZONE-4 ← L7-RF ZONE-10



PLAN FOR ABOVE DURRA PURLIN FRAMING
SCALE: 1:150



SECTION G-G

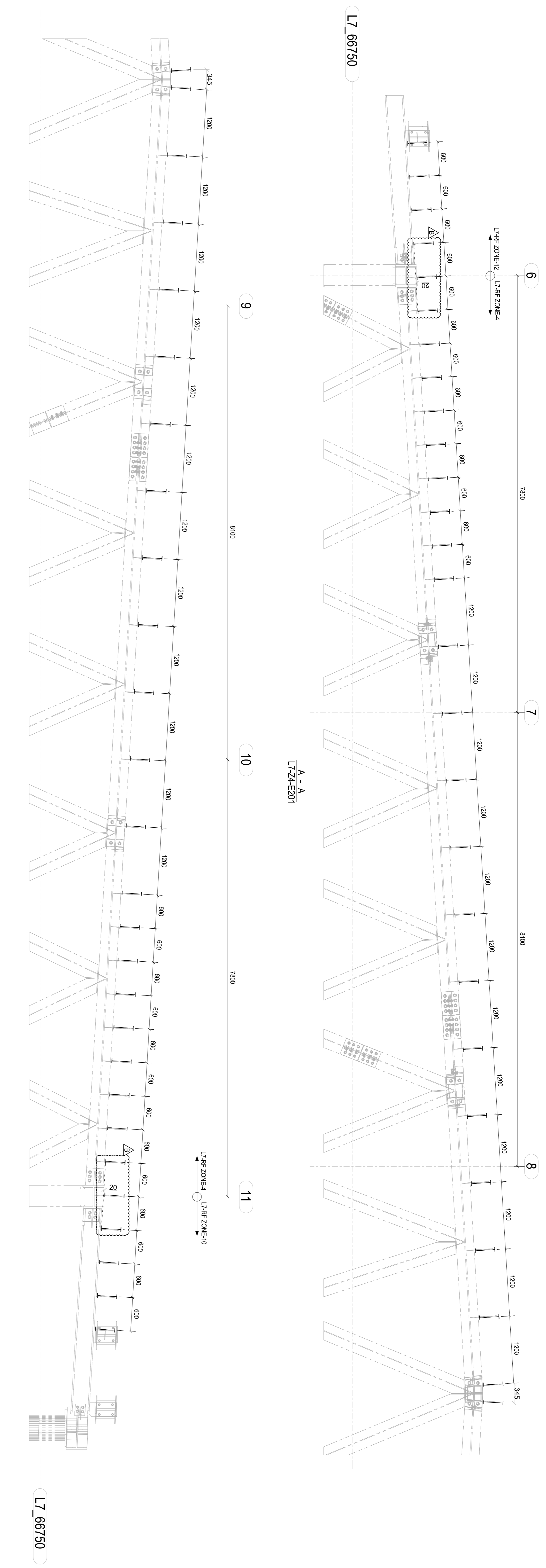


KEY PLAN

- ABBREVIATIONS**
- FR = H1.2 FRAME
 - NA = NEOPRENE ACOUSTIC
 - RA = H1.2 RAFTER
 - PW = 17mm PLYWOOD SHEET
 - TH = THERMAL INSULATION
 - BL = H1.2 BLOCKING
- LEGENDS:**
- X - X - XX XX → MARK NUMBER
 - MEMBER PROFILE
 - ZONE NUMBER
 - LEVEL

B	UPDATED AS PER RB-17 RESPONSE	30-01-2018
A	FOR APPROVAL	08-01-2018
REV MARK	REVISION DESCRIPTION	REVISION DATE

DRAWING TITLE	PLAN FOR ABOVE DURRA PURLIN FRAMING
CONTRACT	
MODELLED BY	SP
CONTRACT NO	L7-Z4-E203
ISSUE DATE	30-01-2018
SCALE	1:50
REVISION No.	B



A - A
L7-Z4-E201

A - A
L7-Z4-E201

L7_66750

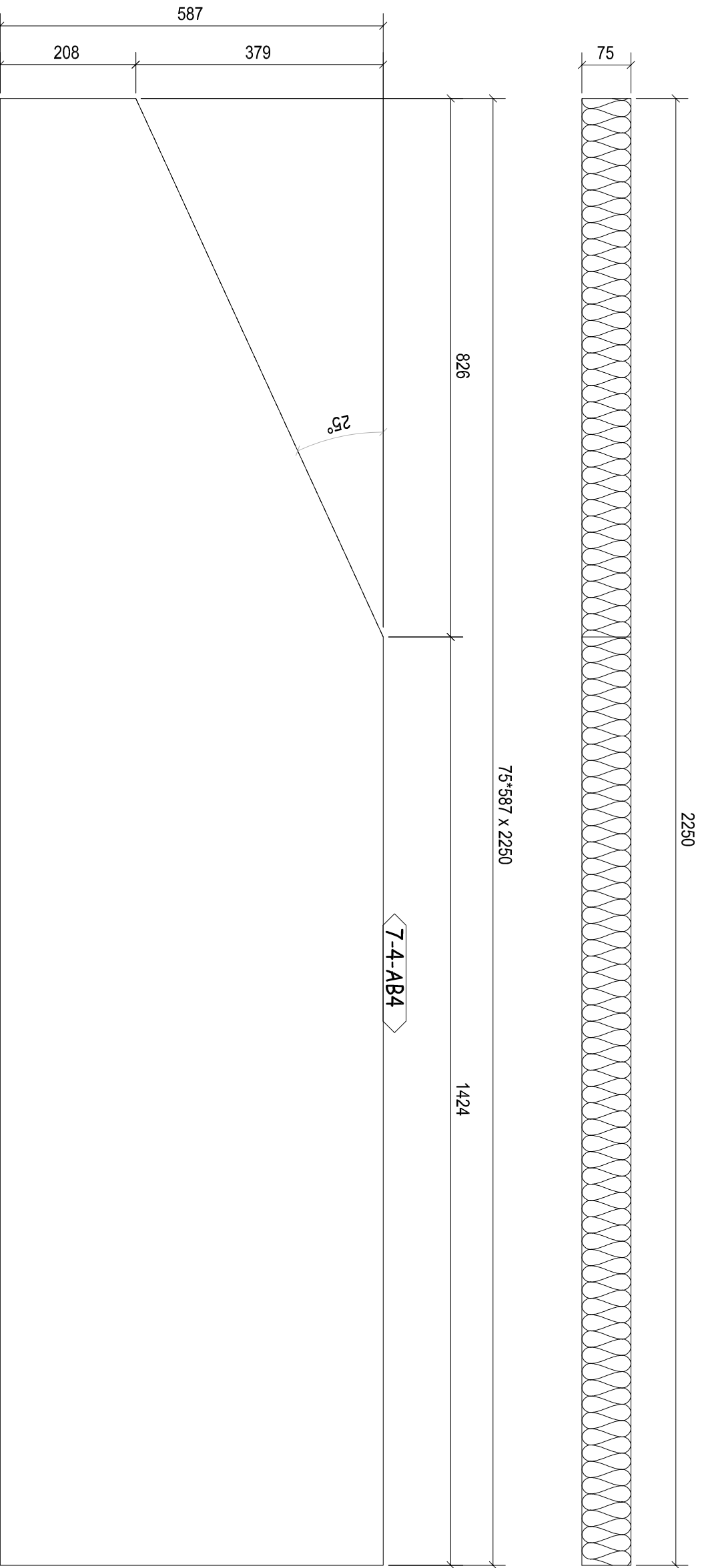
B	UPDATED AS PER REL17 RESPONSE	30-01-2018
A	FOR APPROVAL	08-01-2018
REV MARK	REVISION DESCRIPTION	REVISION DATE

DRAWING TITLE	ELEVATION Zone 4
CONTRACT	SP
MODELLED BY	SP
CONTRACT NO	-
DRAWING No	L7-Z4-E204
ISSUE DATE	30-01-2018
SCALE	1:35
REVISION No.	B

NOTES:-
PURLIN MARKING REFER DRAWING No. L7-Z4-E201

MATERIAL LIST FOR ABSORPTION BLANKET

Mark	Qty.	Length (L)	Width (B)	Remarks
7-4-AB4	2	2250	587	NON TYPICAL



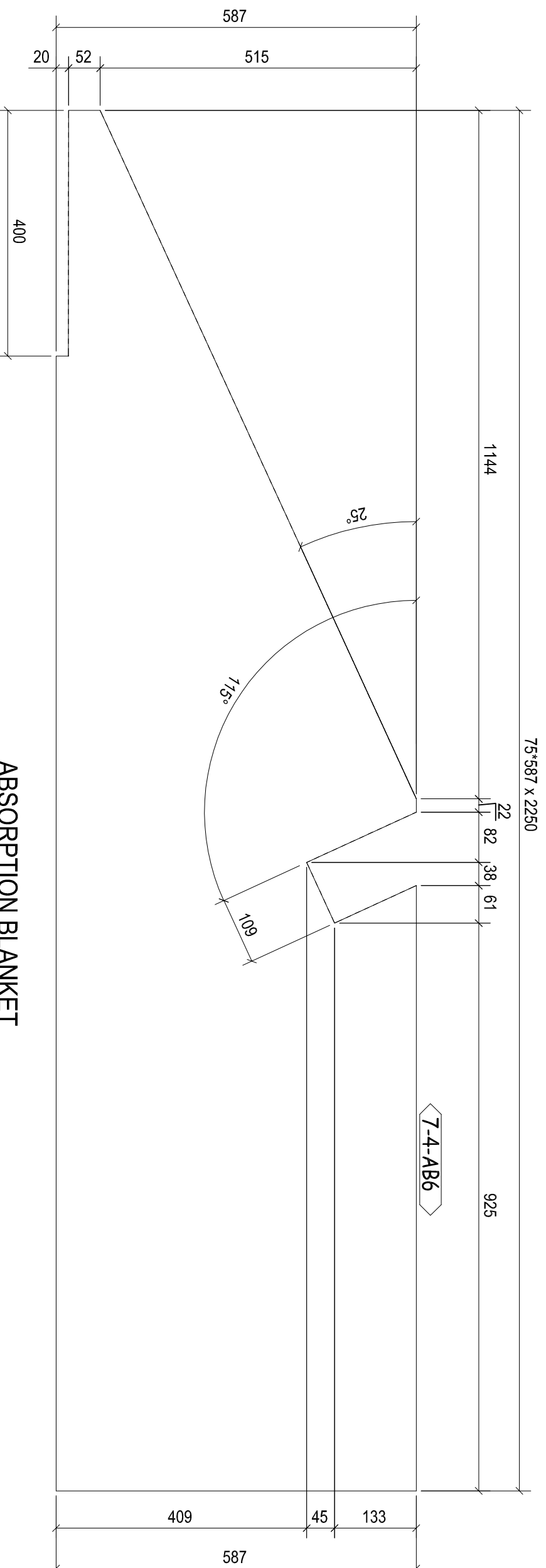
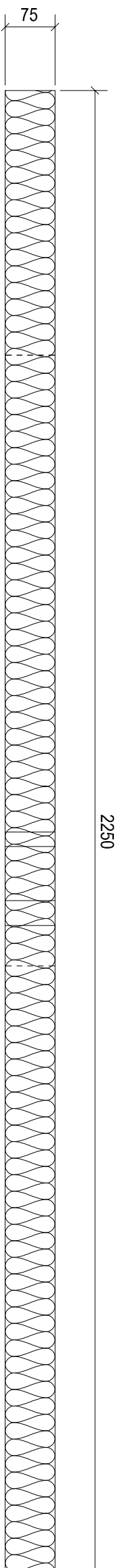
ABSORPTION BLANKET

No	REV MARK	REVISION DESCRIPTION	REV. DATE
1	A	FOR APPROVAL	08-01-2018

Drawing Title		ABSORPTION BLANKET	
Contract			
Modelled By	SP	Issued	08-01-2018
Contract No.	-	Scale	N.T.S.
Drawing No.	7-4-AB4	Revision No.	A
			A3

MATERIAL LIST FOR ABSORPTION BLANKET

Mark	Qty.	Length (L)	Width (B)	Remarks
7-4-AB6	2	2250	587	NON TYPICAL



ABSORPTION BLANKET

No	REV MARK	REVISION DESCRIPTION	REV. DATE
1	A	FOR APPROVAL	08-01-2018

Drawing Title: ABSORPTION BLANKET

Contract

Modelled By: SP

Contract No.: -

Drawing No.: 7-4-AB6

Issued: 08-01-2018

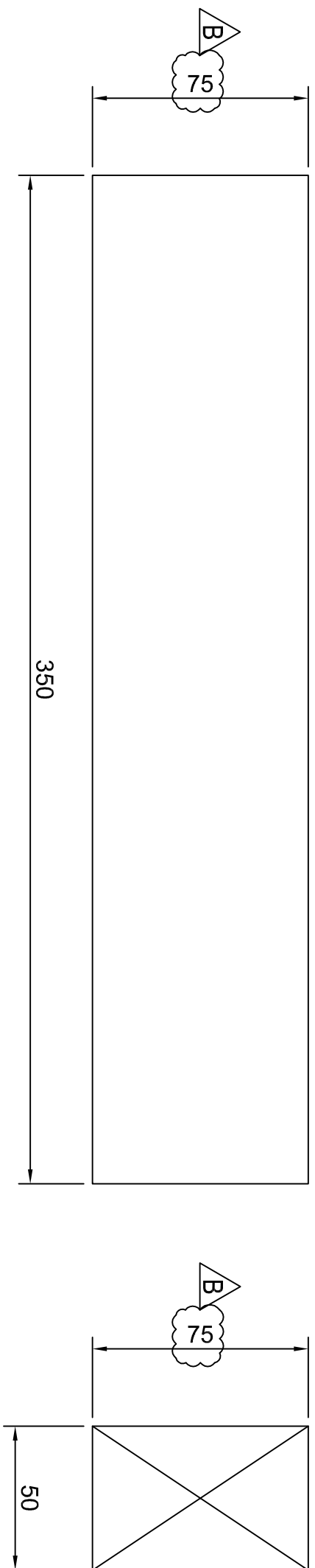
Scale: N.T.S.

Revision No.: A

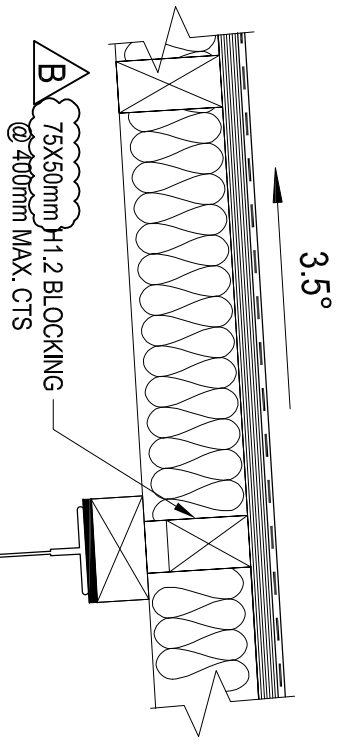
A3

MATERIAL LIST FOR H1.2 BLOCKING

Mark	No.	Length (L)	Remarks
7-4-BL 1	4500	350	75X50mm H1.2 BLOCKING



350X75X50 H1.2 BLOCKING



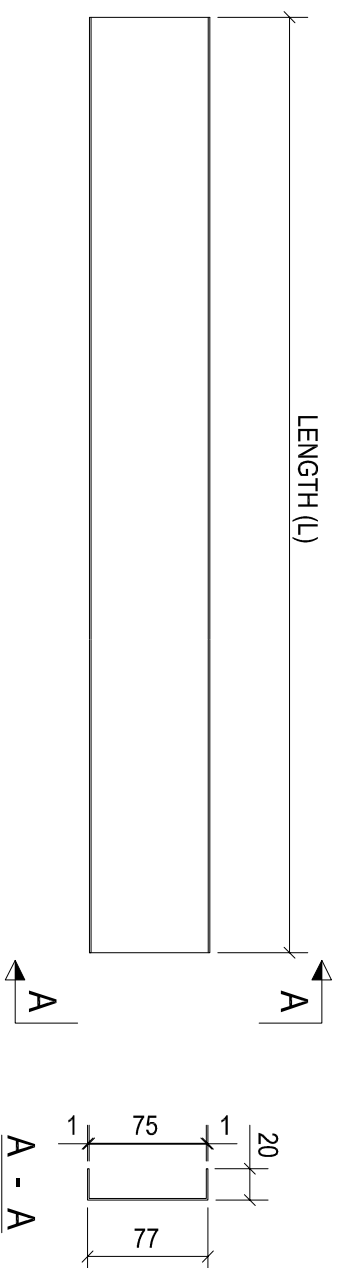
DETAIL OF 75X50 H1.2 BLOCKING

No	REV MARK	REVISION DESCRIPTION	REV. DATE
2	B	SIZE UPDATED	30-01-2018
1	A	FOR APPROVAL	08-01-2018

Drawing Title		75X50 H1.2 BLOCKING	
Contract		SP	
Modelled By		-	
Contract No.		7-4-BL 1	
Drawing No.		-	
		Issued	
		Scale	N.T.S.
		Revision No.	B
		A3	

MATERIAL LIST FOR METAL CHANNEL

Mark	Qty.	Length (L)	UNIT Weight	Weight	Remark
7-4-CH1	108	1200	1.65	214.0	
7-4-CH2	42	600	1.65	41.50	
7-4-CH3	04	300	1.65	2.0	RIDGE



No	REV MARK	REVISION DESCRIPTION	REV. DATE
1	A	FOR APPROVAL	08-01-2018

Drawing Title METAL CHANNEL

Contract

Modelled By SP Issued 08-01-2018

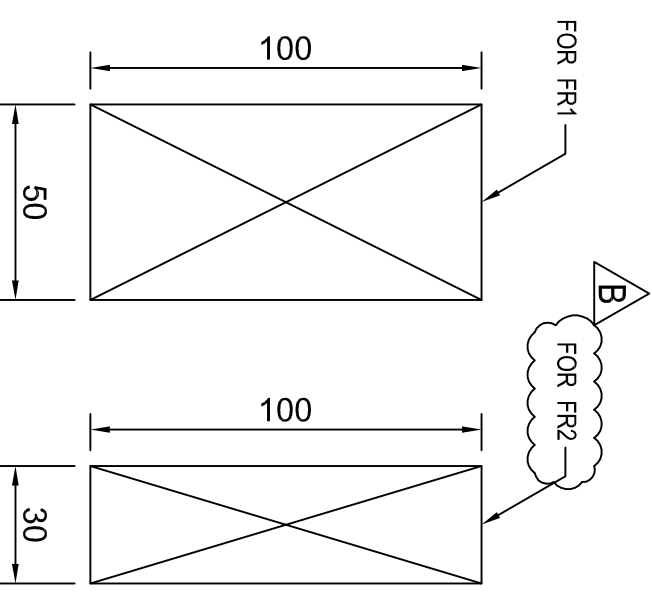
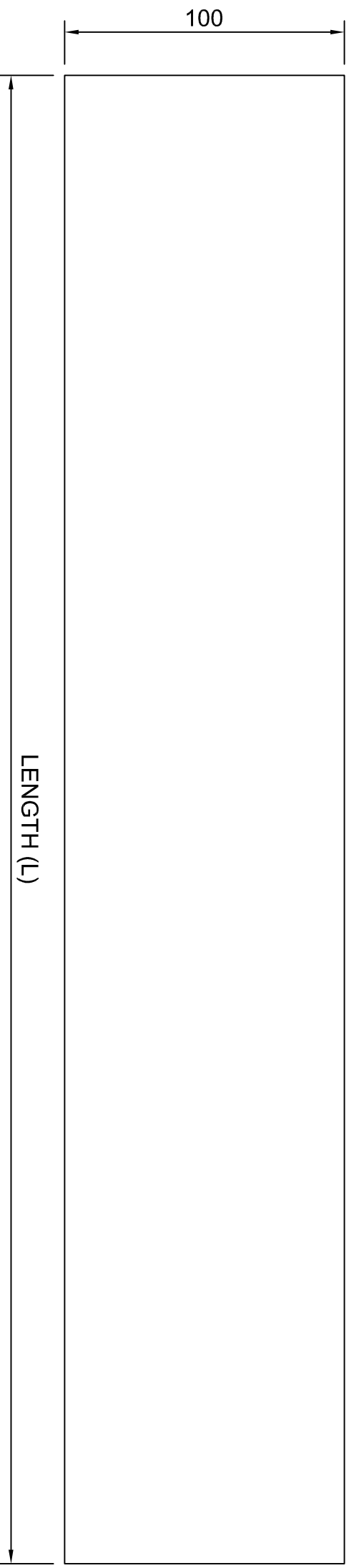
Contract No. - Scale N.T.S

Drawing No. 7-4-CH1 Revision No. A

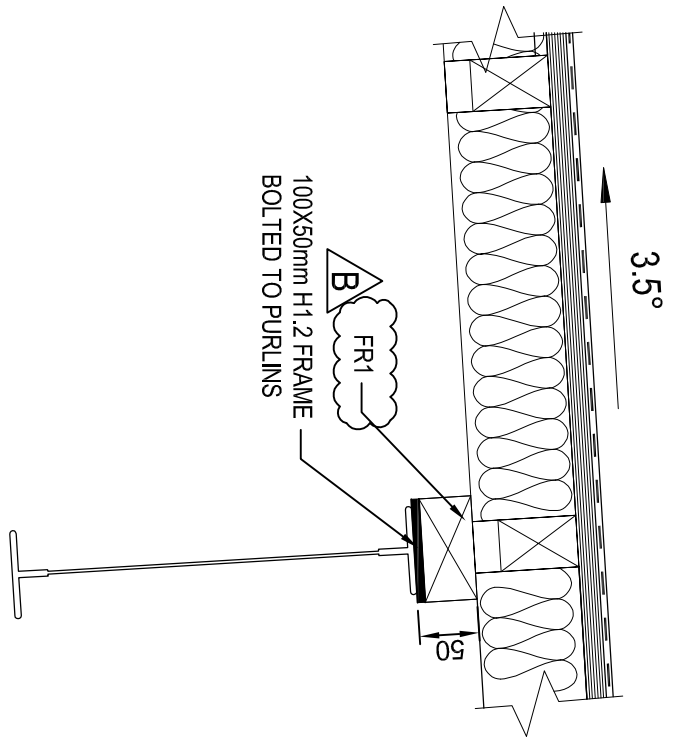
A3

MATERIAL LIST FOR H1.2 FRAME

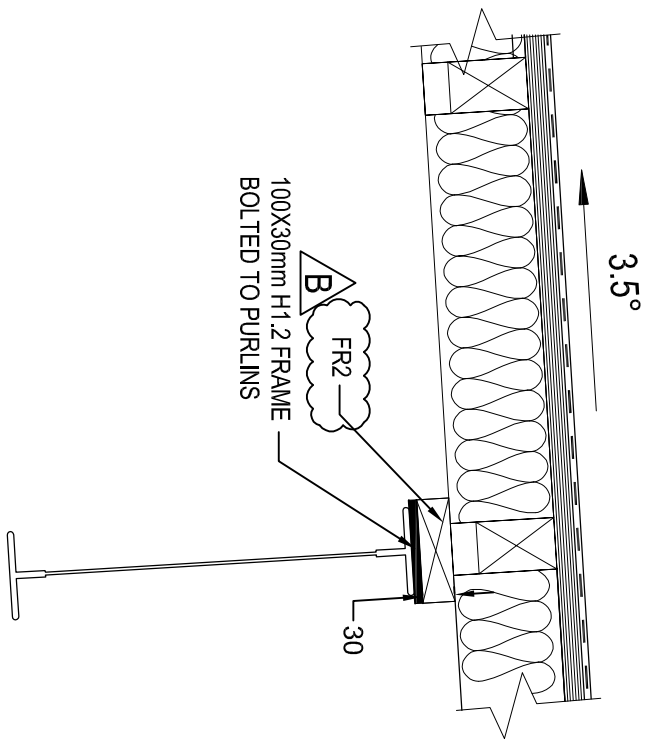
Mark	Qty	Length (L)	Remarks
7-4-FR1	120	6000	100mm X 50mm H1.2 FRAME
7-4-FR2	6	6000	100mm X 30mm H1.2 FRAME



FOR FR1 ~ 100mm x 50mm H1.2 FRAME
 FOR FR2 ~ 100mm x 30mm H1.2 FRAME



DETAIL OF 100mm x 50mm H1.2 FRAME



DETAIL OF 100mm x 30mm H1.2 FRAME

No	REV MARK	REVISION DESCRIPTION	REV. DATE
2	B	UPDATED AS PER RFI-17 & 18 RESPONSE	30-01-2018
1	A	FOR APPROVAL	08-01-2018

Drawing Title: 100X50mm & 100X30mm H1.2 FRAME

Contract: SP

Modelled By: SP

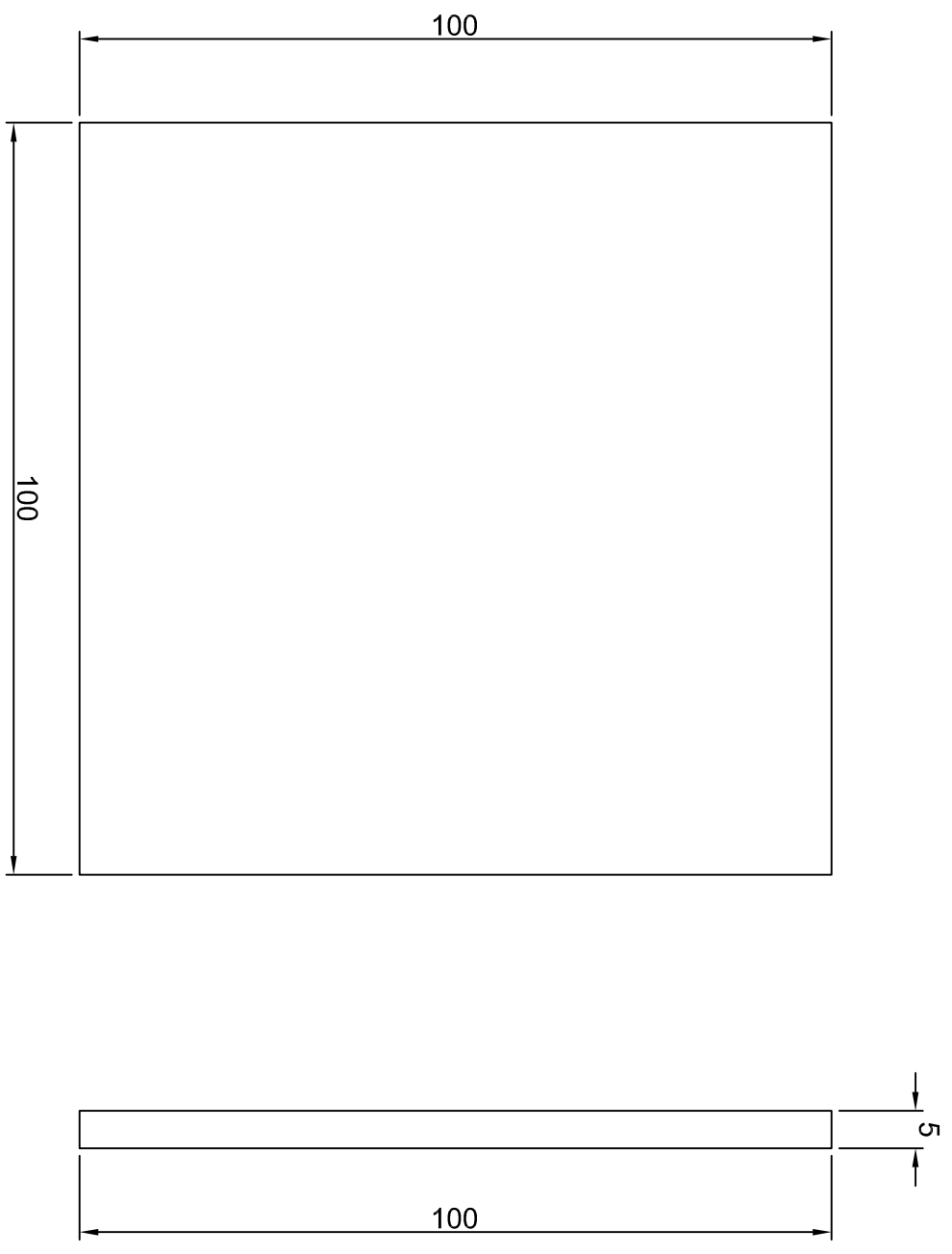
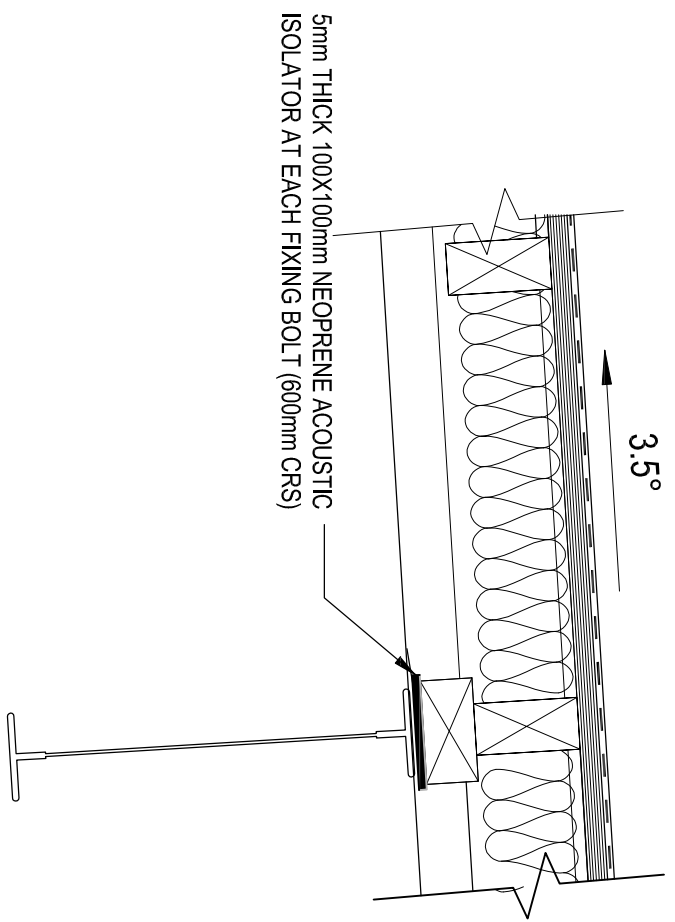
Contract No.: -

Drawing No.: 7-4-FR1

Issued: 30-01-2018
 Scale: N.T.S.
 Revision No.: B

MATERIAL LIST FOR NEOPRENE ACOUSTIC

Mark	Qty.	Remarks
7-4-NA1	1205	100x100x5mm Thk. NEOPRENE ACOUSTIC

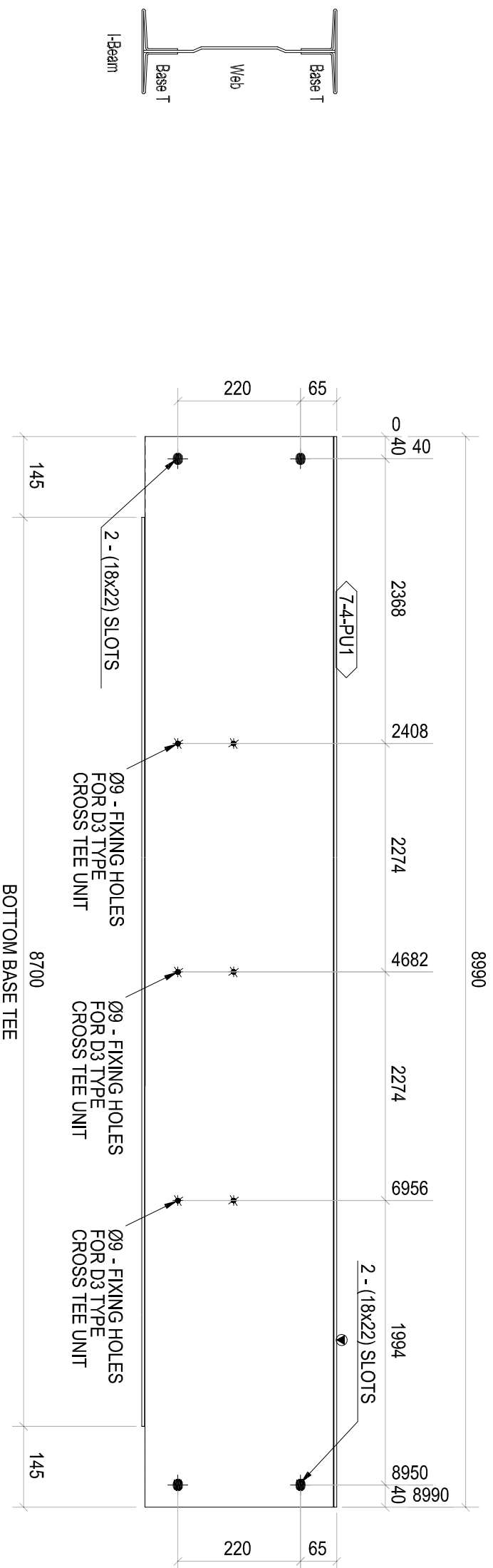


100x100x5mm THK. NEOPRENE ACOUSTIC

DETAIL OF NEOPRENE ACOUSTIC

No	REV MARK	REVISION DESCRIPTION	REV. DATE
1	A	FOR APPROVAL	08-01-2018

Drawing Title		NEOPRENE ACOUSTIC ISOLATOR	
Contract			
Modelled By	SP	Issued	08-01-2018
Contract No.	-	Scale	N.T.S.
Drawing No.	7-4-NA1	Revision No.	A



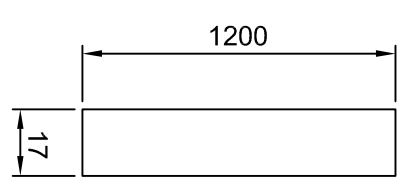
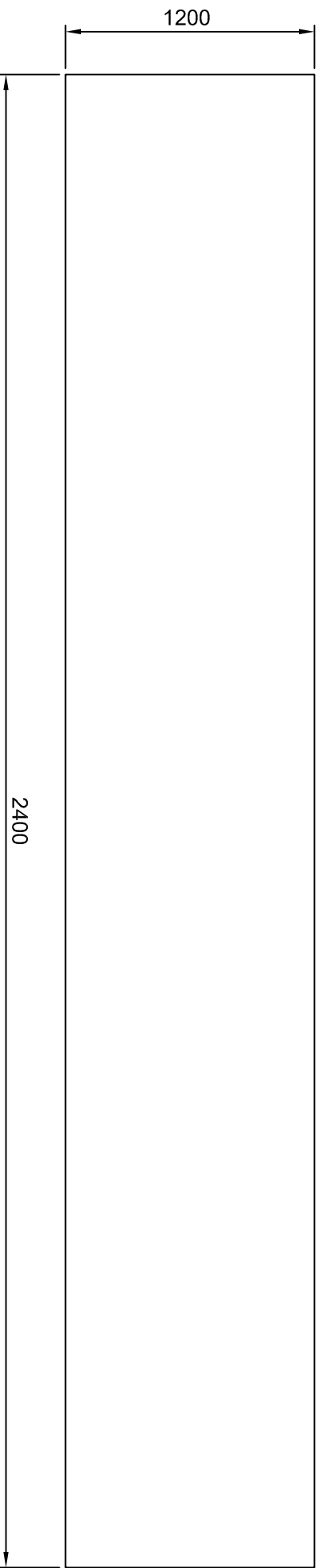
66 ~ PURLIN ~ 7-4-PU1

2	B	UPDATED MATERIAL AS PER ORTECH STD.	30-01-2018
1	A	FOR APPROVAL	08-01-2018
No	REV MARK	REVISION DESCRIPTION	REV. DATE

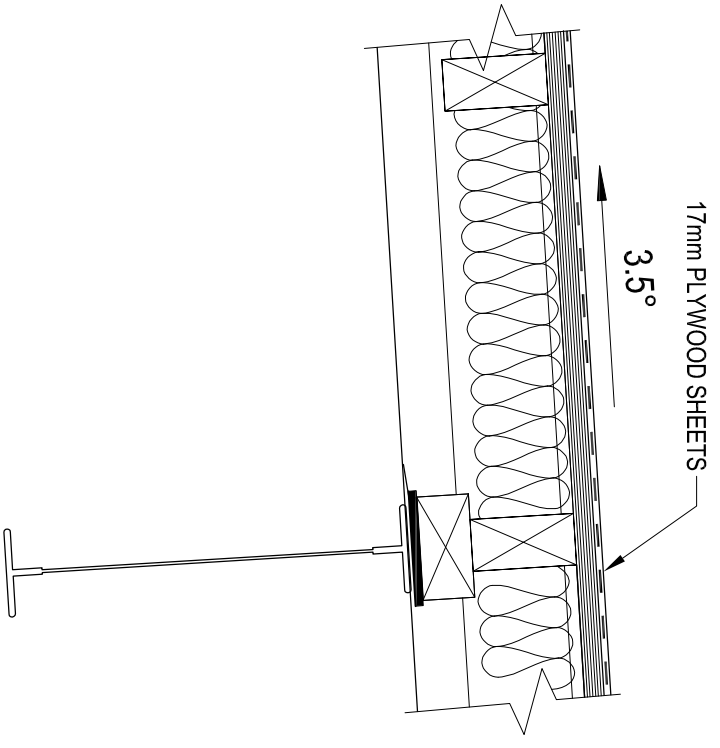
MATERIAL LIST FOR ASSEMBLY MK'D				7-4-PU1	66	No. Required
Mark	Profile	Material	No.	Length	Area	Weight
7-4-PU1	350 HS I-BEAM	G300	1	8990	8.9	107.1
			Total		8.9	107.1
Drawing Title		PURLIN				
Contract						
Modelled By		SP				
Contract No.		-				
Drawing No.		7-4-PU1				
				Issued	30-01-2018	
				Scale	1:10	
				Revision No.	B	
						A3

MATERIAL LIST FOR 17mm PLYWOOD SHEETS

Mark	Qty.	Remarks
7-4-PW1	275	2400X1200X17mm PLYWOOD SHEET



17mm PLYWOOD SHEET



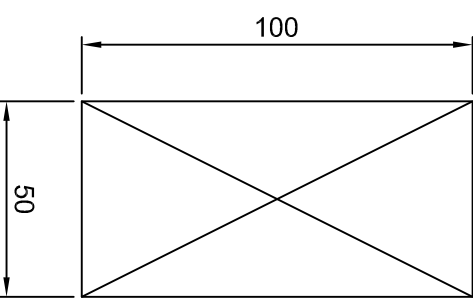
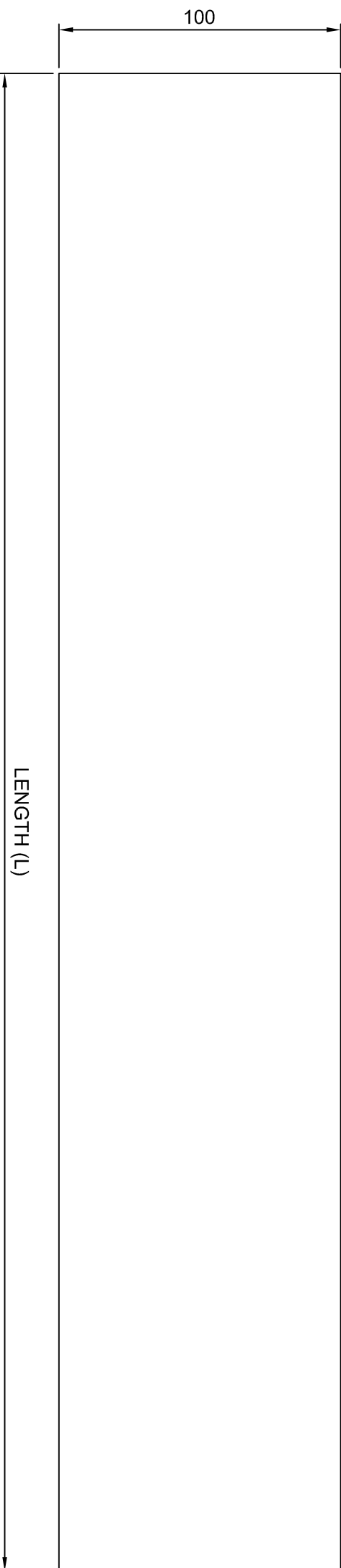
DETAIL OF PLYWOOD SHEET

No	REV MARK	REVISION DESCRIPTION	REV. DATE
1	A	FOR APPROVAL	08-01-2018

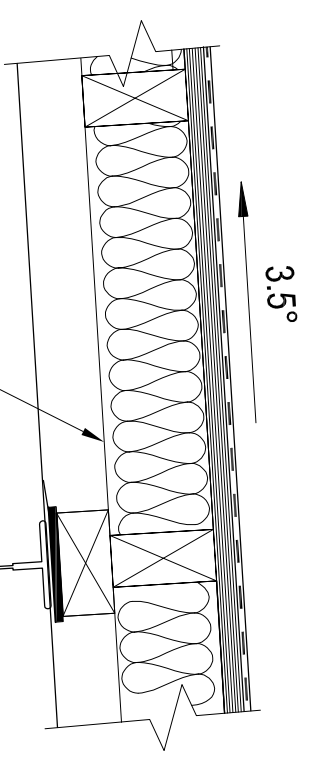
Drawing Title		17mm C-D GRADE H3 PLYWOOD SHEET	
Contract			
Modelled By		SP	
Contract No.		-	
Drawing No.		7-4-PW1	
		Issued	08-01-2018
		Scale	N.T.S.
		Revision No.	A
			A3

MATERIAL LIST FOR H1.2 RAFTER

Mark	No.	Length (L)	Remarks
7-4-RA1	315	6000	100X50mm H1.2 rafter



100x50 H1.2 RAFTER



100X50mm H1.2 RAFTER @ 400mm MAX. CTS

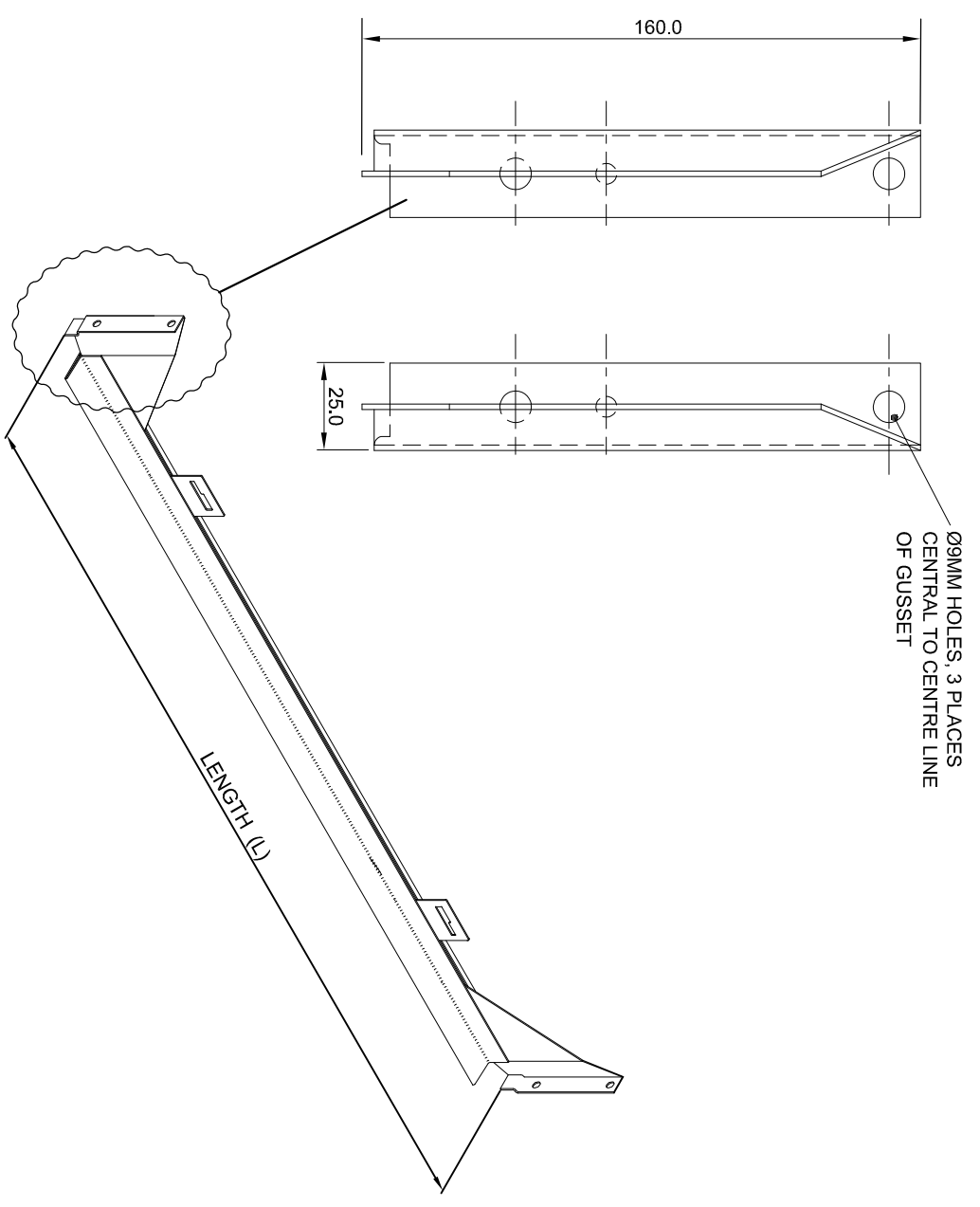
DETAIL OF 100x50 H1.2 RAFTER

No	REV MARK	REVISION DESCRIPTION	REV. DATE
1	A	FOR APPROVAL	08-01-2018

Drawing Title		100X50 H1.2 RAFTER	
Contract			
Modelled By		SP	
Contract No.		-	
Drawing No.		7-4-RA1	
Issued		08-01-2018	
Scale		N.T.S.	
Revision No.		A	

MATERIAL LIST FOR TYPE D3 CROSS TEE UNIT BRIDGING

Mark	Qty.	Length (L)	UNIT Weight	Weight	Remark
7-4-TB1	162	1200	3.0	486.0	
7-4-TB2	70	600	2.0	140.0	
7-4-TB3	6	300	1.0	6.0	RIDGE



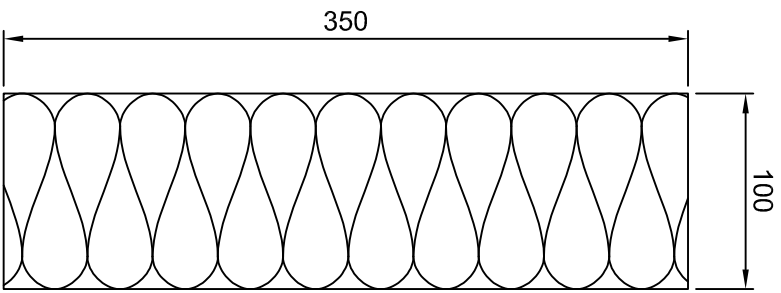
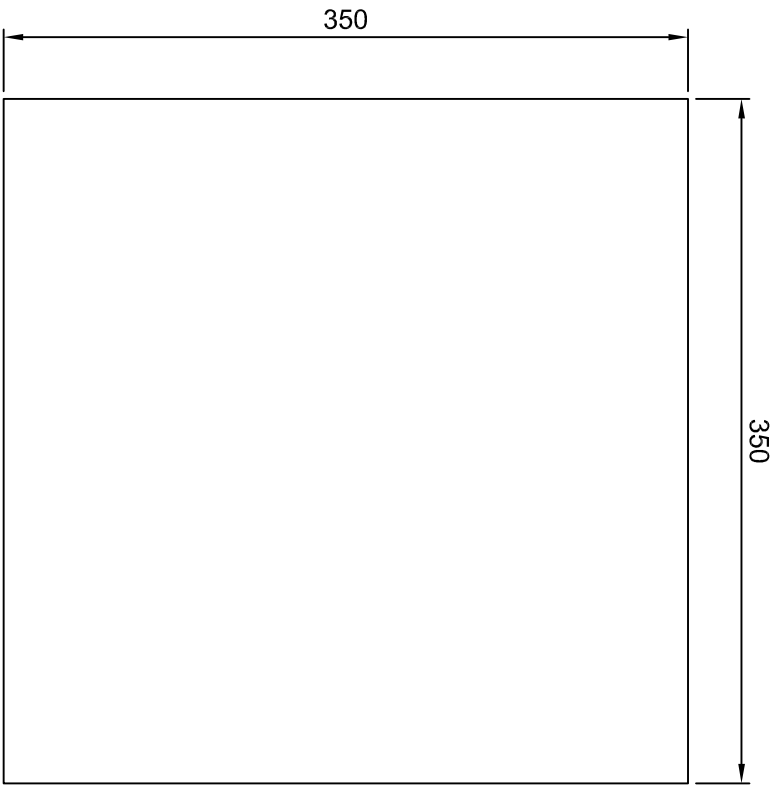
TYPE D3 CROSS TEE UNIT

1	A	FOR APPROVAL	08-01-2018
No	REV MARK	REVISION DESCRIPTION	REV. DATE

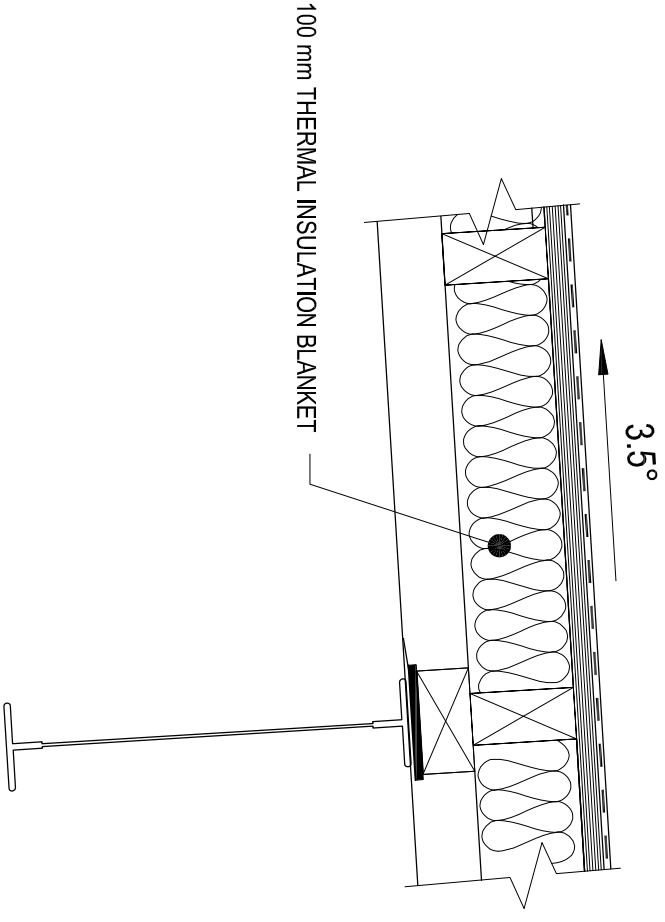
Drawing Title		CROSS TEE UNIT BRIDGING	
Contract			
Modelled By	SP	Issued	08-01-2018
Contract No.	-	Scale	N.T.S
Drawing No.	7-4-TB1	Revision No.	A
			A3

MATERIAL LIST FOR THERMAL INSULATION BLANKET

Mark	Qty.	Remarks
7-4-TH1	4500	300x350x100mm THK. THERMAL INSULATION BLANKET



100mm THERMAL INSULATION BLANKET



DETAIL OF THERMAL INSULATION BLANKET

No	REV MARK	REVISION DESCRIPTION	REV. DATE
1	A	FOR APPROVAL	08-01-2018

Drawing Title		100mm THERMAL INSULATION BLANKET	
Contract			
Modelled By		SP	
Contract No.		-	
Drawing No.		7-4-TH1	

Issued		08-01-2018	
Scale		N.T.S.	
Revision No.		A	
A3			