



WILSON

20 JARVIS WAY
EAST TAMAKI
TEL (09) 271 5730
FAX (09) 271 2047

Contractor

Downer NZ

Job

WESTERN SPRINGS COLLEGE
REDEVELOPMENT 100 MOTIONS ROAD
WESTERN SPRINGS

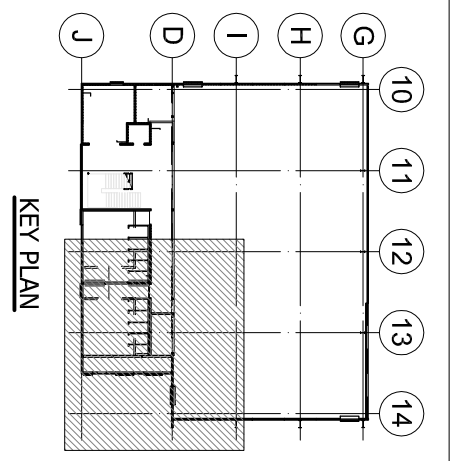
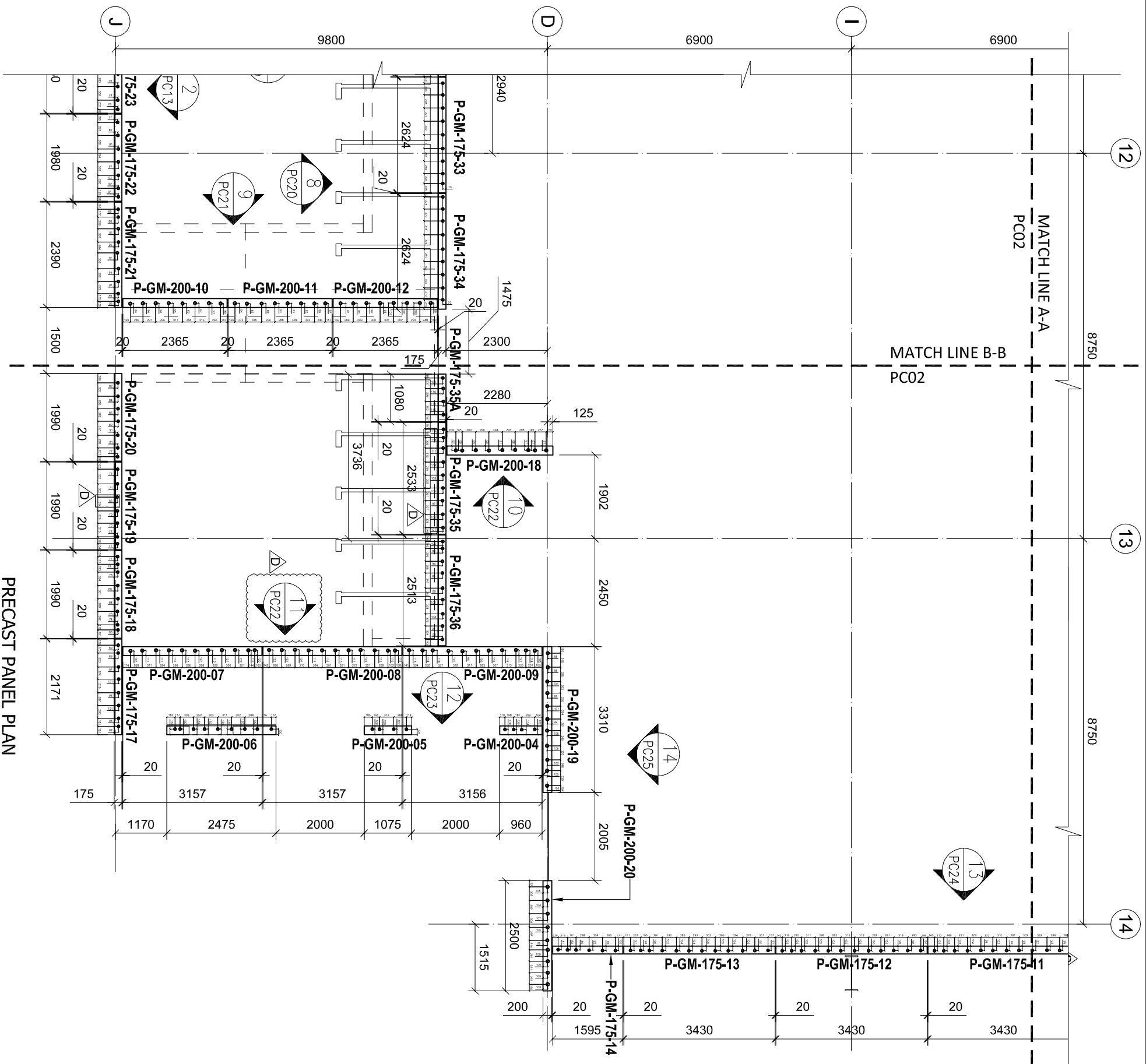
Title

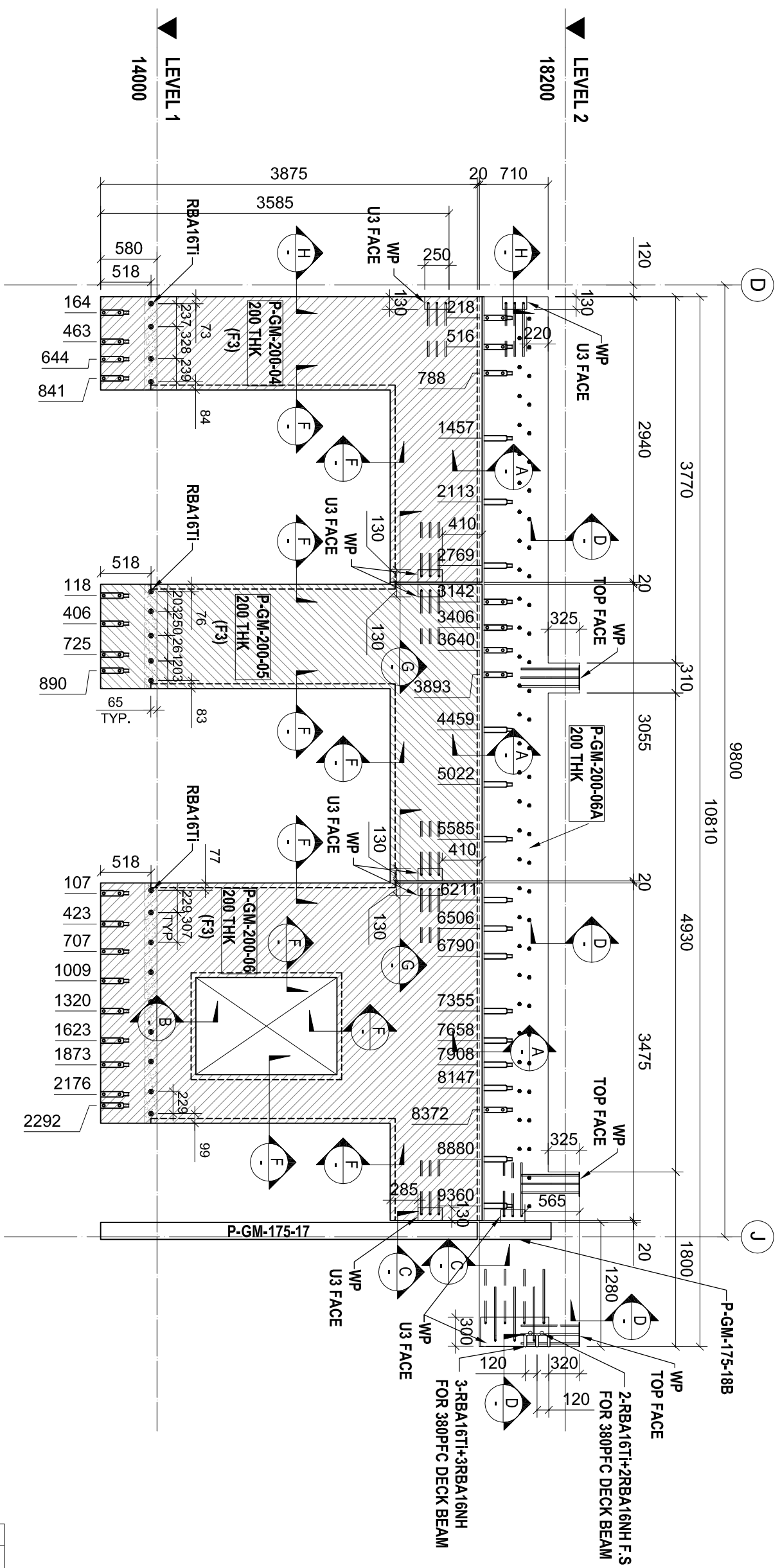
GYMNASIUM LAYOUT

COPYRIGHT
RESERVED

REV.	DATE	DESCRIPTION	DRAWN	APPROVED
D	26/07/18	UPDATED AS PER COMMENT	JM	
C	17/04/18	UPDATED AS PER COMMENT	NS	
B	31/03/18	WHOLE DRAWING UPDATED	NS	
A	27/03/18	FOR APPROVAL	NS	

Drawn	NS	Date	27/03/18	Job No.	1669
Checked	SP	Scale (A3)	1:100	Dwg No.	PC03
				REV.	D



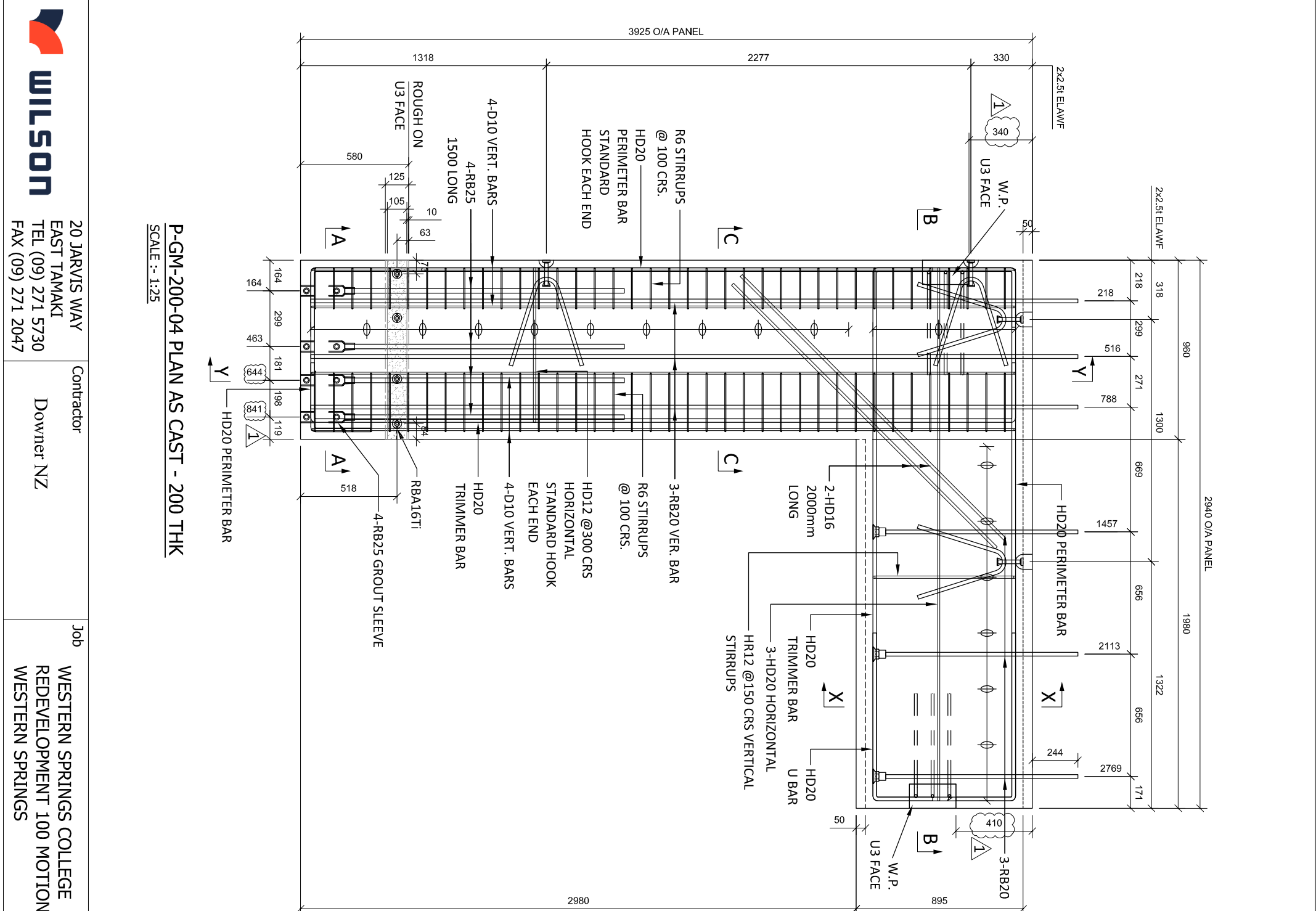


TYPICAL SECTION REFER
SHEET NO. PC30

ELEVATION - 12

LEGEND FOR FINISHES
(F1) = EXPOSED AGGREGATE FINISH.
(F2) = NIHO PATTERN.
(F3) = ROUGH SAWN TIMBER PATTERN - 4 TIMBER SIZES
75mm, 100mm, 150mm, 200mm.

<p>WILSON 20 JARVIS WAY EAST TAMAKI TEL (09) 271 5730 FAX (09) 271 2047</p>	<p>Contractor Downer NZ</p>	<p>Job WESTERN SPRINGS COLLEGE REDEVELOPMENT 100 MOTIONS ROAD WESTERN SPRINGS</p>	<p>Title GYMNASIUM ELEVATION - 12</p>	COPYRIGHT RESERVED			
				<p>Drawn Checked</p>	<p>SS SP</p>	<p>Date Scale (A3)</p>	<p>05/04/18 1:50</p>
				<p>DATE</p>	<p>DESCRIPTION</p>	<p>DRAWN</p>	<p>APPROVED</p>
				<p>17/04/18</p>	<p>UPDATED AS PER COMMENT</p>	<p>SS</p>	<p>SS</p>
				<p>05/04/18</p>	<p>FOR APPROVAL</p>	<p>SS</p>	<p>SS</p>
				<p>05/04/18</p>	<p>05/04/18</p>	<p>J669</p>	<p>B</p>



P-GM-200-04 PLAN AS CAST - 200 THK
SCALE :- 1:25

WILSON
20 JARVIS WAY
EAST TAMAKI
TEL (09) 271 5730
FAX (09) 271 2047

Contractor
Downer NZ

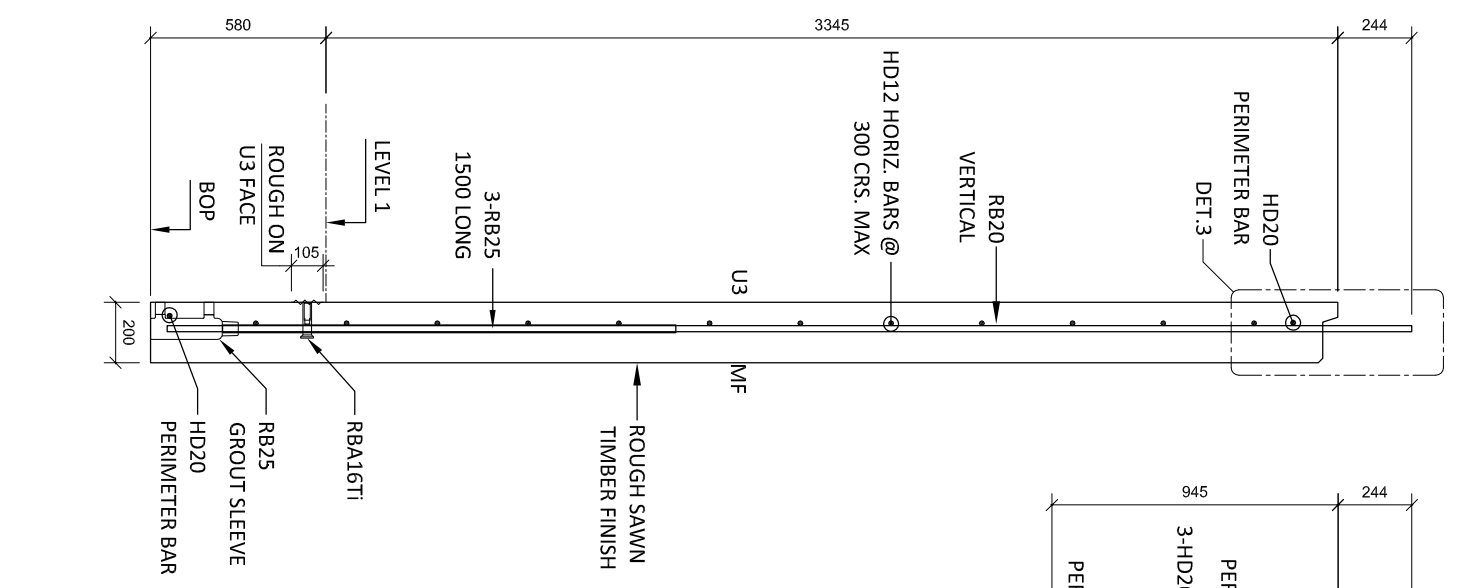
Job
**WESTERN SPRINGS COLLEGE
REDEVELOPMENT 100 MOTIONS ROAD
WESTERN SPRINGS**

Title
**GYMNASIUM
P-GM-200-04**

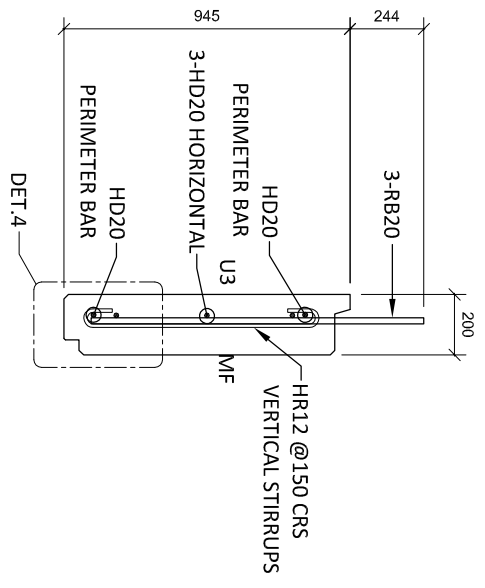
COPYRIGHT RESERVED	Drawn	HP	Date	Job No.	1669
Checked	SP	Scale (A3)	1:25	P-GM-200-04-1	1

DRAWING TO BE READ IN CONJUNCTION WITH P-GM-200-04-2

SECTION Y-Y
SCALE :- 1:25



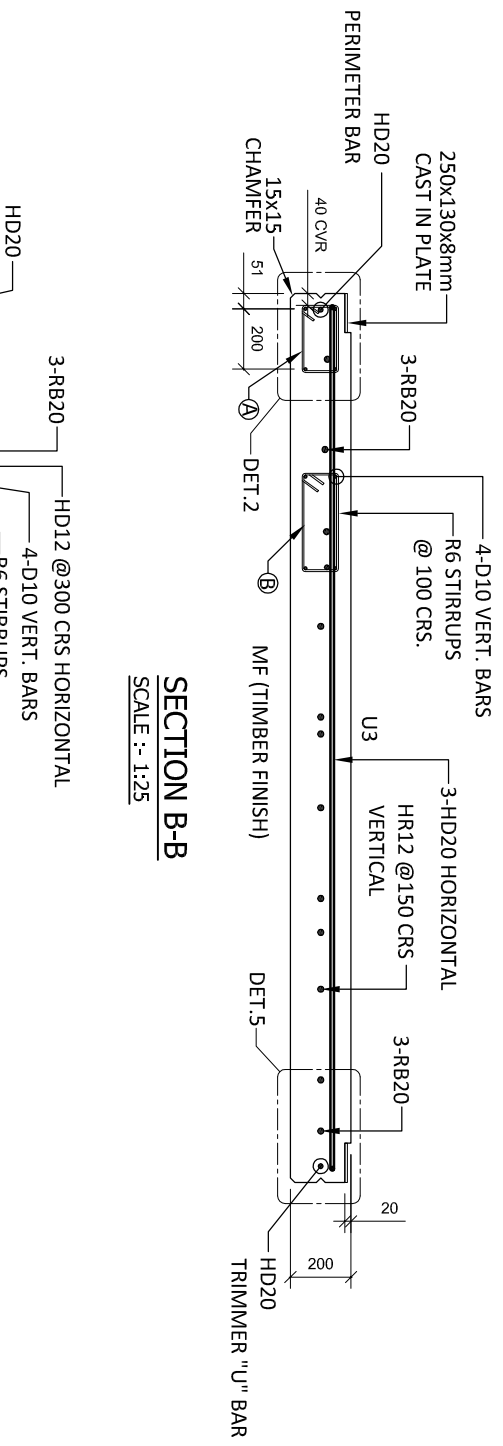
SECTION X-X
SCALE :- 1:25



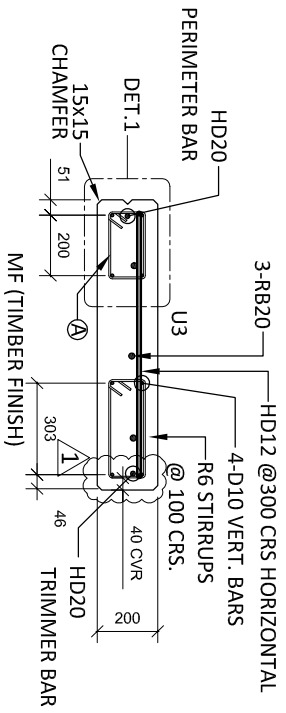
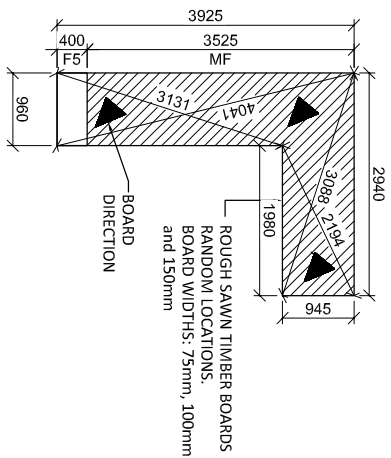
INSPECTION & TEST PLAN	
INSPECTED BY	
NAME OF FABRICATOR	
UNIT NO.	
CAST DATE	
CAST TIME	
CONCRETE DOCKET NO.	
CONCRETE SPECIF. (MPa)	
ITEM	FABRICATOR APPROVED INITIAL Y / N
MOULD CLEANLINESS	
RELEASE OIL	
DIMENSIONS	
FORMWORK FIXED	
OPENING / REBATES CORRECT & POSITION	
HOLD POINT	
REINFORCING CORRECT	
LAPS & SPLICES CORRECT	
SPACING & COVER CORRECT	
HOLD POINT	
LIFTERS POSITIONED CORRECTLY	
CAST - IN ITEMS	
STARTERS, LAGGING BARS	
APPROVED FOR CASTING	
POST POUR INSPECTION	
INSPECTED BY	
DATE	
ITEM	APPROVED Y / N
SWIFTLIFTS POSITION	
SWIFTLIFTS RECESS CLEANED	
CAST-IN ITEMS CLEANED	
CONCRETE FINISH	
LABELLED (NUMBER / DATED)	
DAMAGE (CRACKS / CHIPPING)	
CLEANLINESS	
ANY ACTION REQUIRED:	
ROUGH SAWN TIMBER FINISH	
APPROVED FOR DISPATCH	
SLING ANGLE TO BE NOT LESS THAN 60° TO HORIZONTAL WHEN LIFTING	
400r TO ALL EDGES & FACES (UNO)	
CAST IN SUNDRY	
3KR25 GROUT SLEEVE.	
Area (m ²)	5.64
Vol (m ³)	1.13
Wt. (t)	2.82
MPa	40MPa
FINISH	ROUGH SAWN TIMBER 45° / U3 FINISH
NO. OFF	1

REV.	DATE	DESCRIPTION	DRAWN	APPROVED
1	10/07/18	ISSUE FOR CONSTRUCTION		
0	16/05/18	ISSUE FOR CONSTRUCTION		

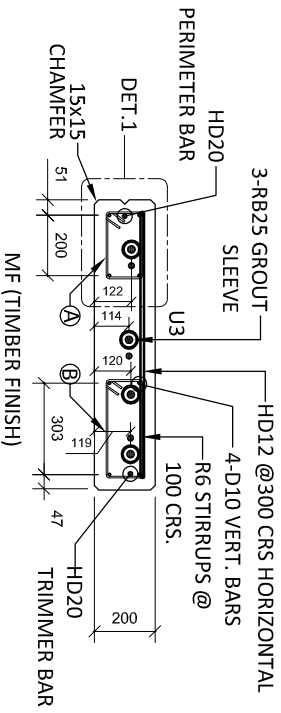
**ROUGH SAWN TIMBER INLAY
VIEWED AS CAST**



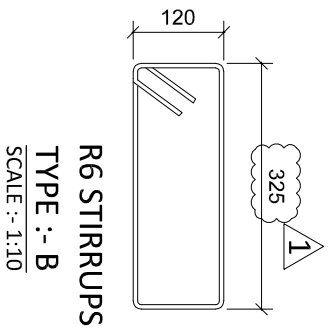
SECTION B-B
SCALE :- 1:25



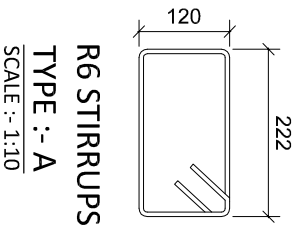
SECTION C-C
SCALE :- 1:25



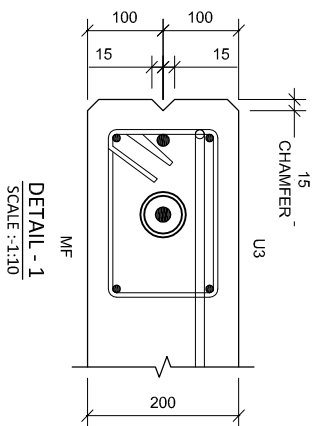
SECTION A-A
SCALE :- 1:25



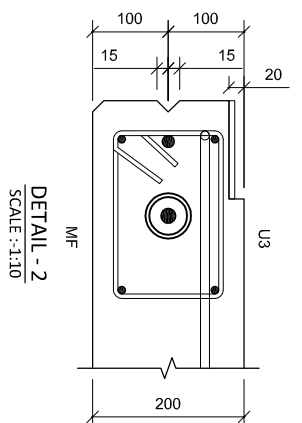
R6 STIRRUPS
TYPE :- B
SCALE :- 1:10



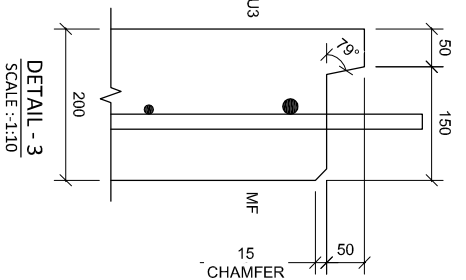
R6 STIRRUPS
TYPE :- A
SCALE :- 1:10



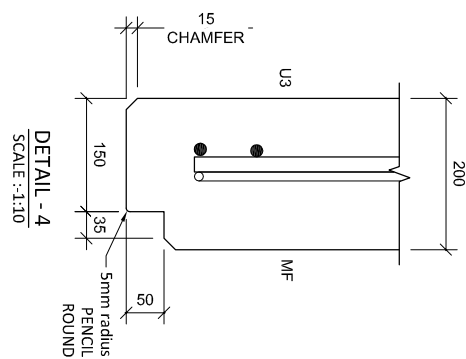
DETAIL - 1
SCALE :- 1:10



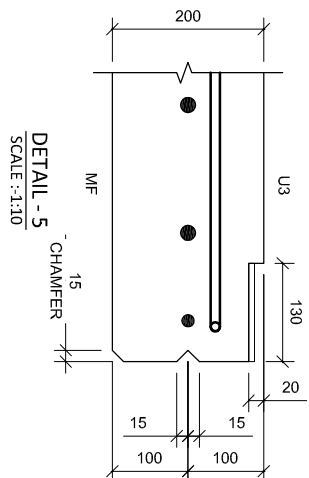
DETAIL - 2
SCALE :- 1:10



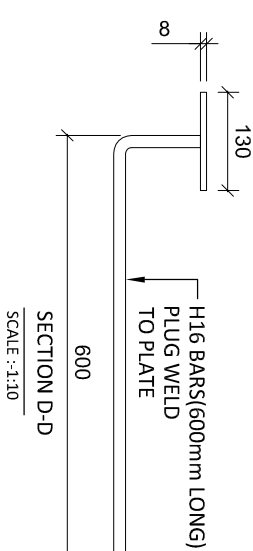
DETAIL - 3
SCALE :- 1:10



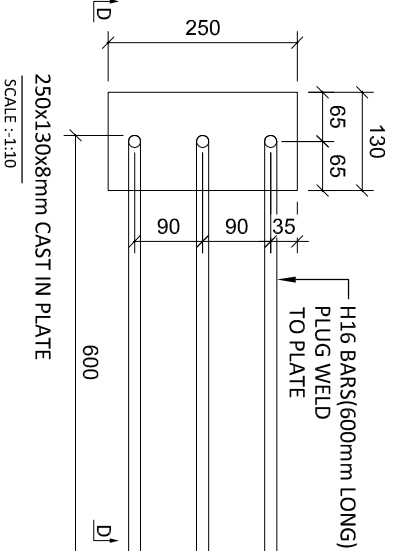
DETAIL - 4
SCALE :- 1:10



DETAIL - 5
SCALE :- 1:10



SECTION D-D
SCALE :- 1:10



250x130x8mm CAST IN PLATE
SCALE :- 1:10

INSPECTION & TEST PLAN

INSPECTED BY	
NAME OF FABRICATOR	
UNIT NO.	
CAST DATE	
CAST TIME	
CONCRETE DOCKET NO.	
CONCRETE SPECIF. (MPa)	
ITEM	FABRICATOR APPROVED INITIAL Y / N
MOULD CLEANLINESS	
RELEASE OIL	
DIMENSIONS	
FORMWORK FIXED	
OPENING / REBATES CORRECT & POSITION	
HOLD POINT	
REINFORCING CORRECT	
LAPS & SPLICES CORRECT	
SPACING & COVER CORRECT	
HOLD POINT	
LETTERS POSITIONED CORRECTLY	
CAST - IN ITEMS STARTERS, LACING BARS	
APPROVED FOR CASTING	
POST POUR INSPECTION	
INSPECTED BY	
DATE	
ITEM	APPROVED Y / N
SWIFTLIFTS POSITION	
SWIFTLIFTS RECESS CLEANED	
CAST-IN ITEMS CLEANED	
CONCRETE FINISH	
LABELLED (NUMBER / DATED)	
DAMAGE (CRACKS / CHIPPING)	
CLEANLINESS	
ANY ACTION REQUIRED:	
ROUGH SAWN TIMBER FINISH	

APPROVED FOR DISPATCH	
SLING ANGLE TO BE NOT LESS THAN 60° TO HORIZONTAL WHEN LIFTING	
40CVR TO ALL EDGES & FACES (UNO)	
CAST IN SUNDRY	
3KR25 GROUT SLEEVE.	
Area (m ²)	5.64
Vol (m ³)	1.13
Wt. (t)	2.82
MPa	40MPa
FINISH	ROUGH SAWN TIMBER 45° / U3 FINISH
NO. OFF	1

REV.	DATE	DESCRIPTION	DRAWN	APPROVED

DRAWING TO BE READ IN CONJUNCTION WITH P-GM-200-04-1

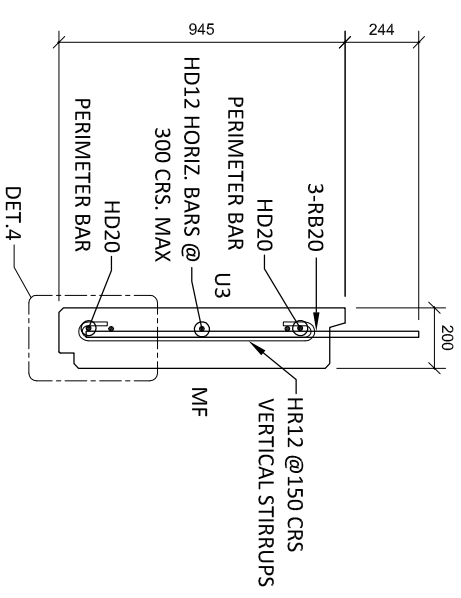
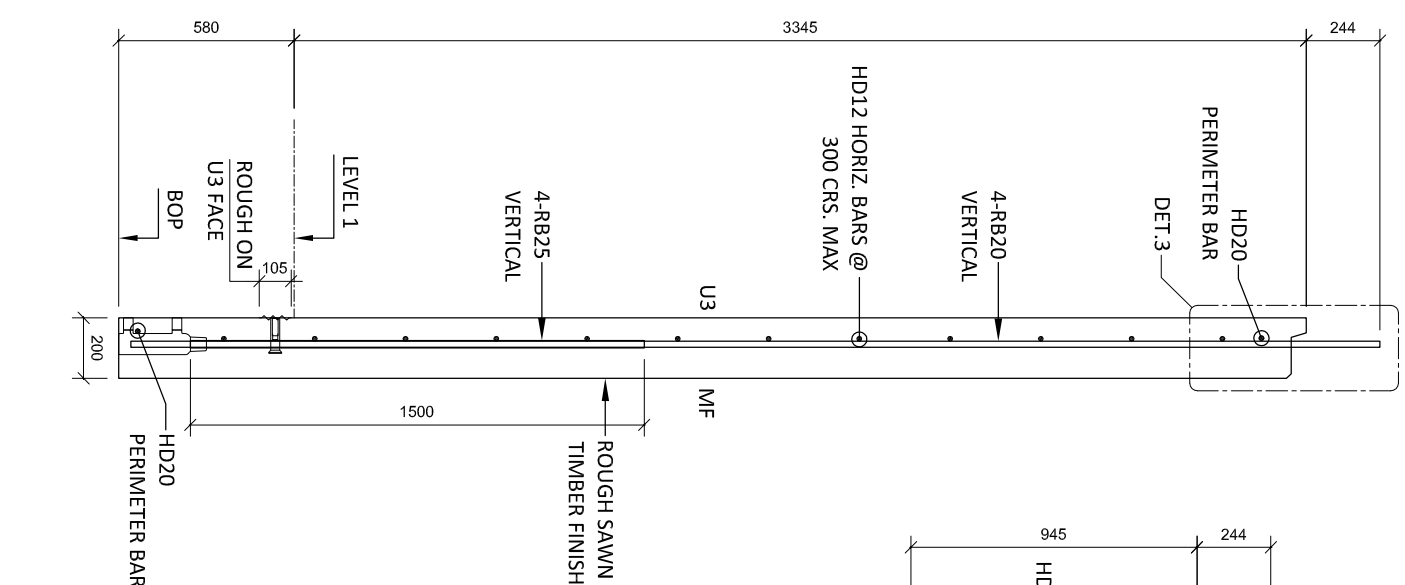
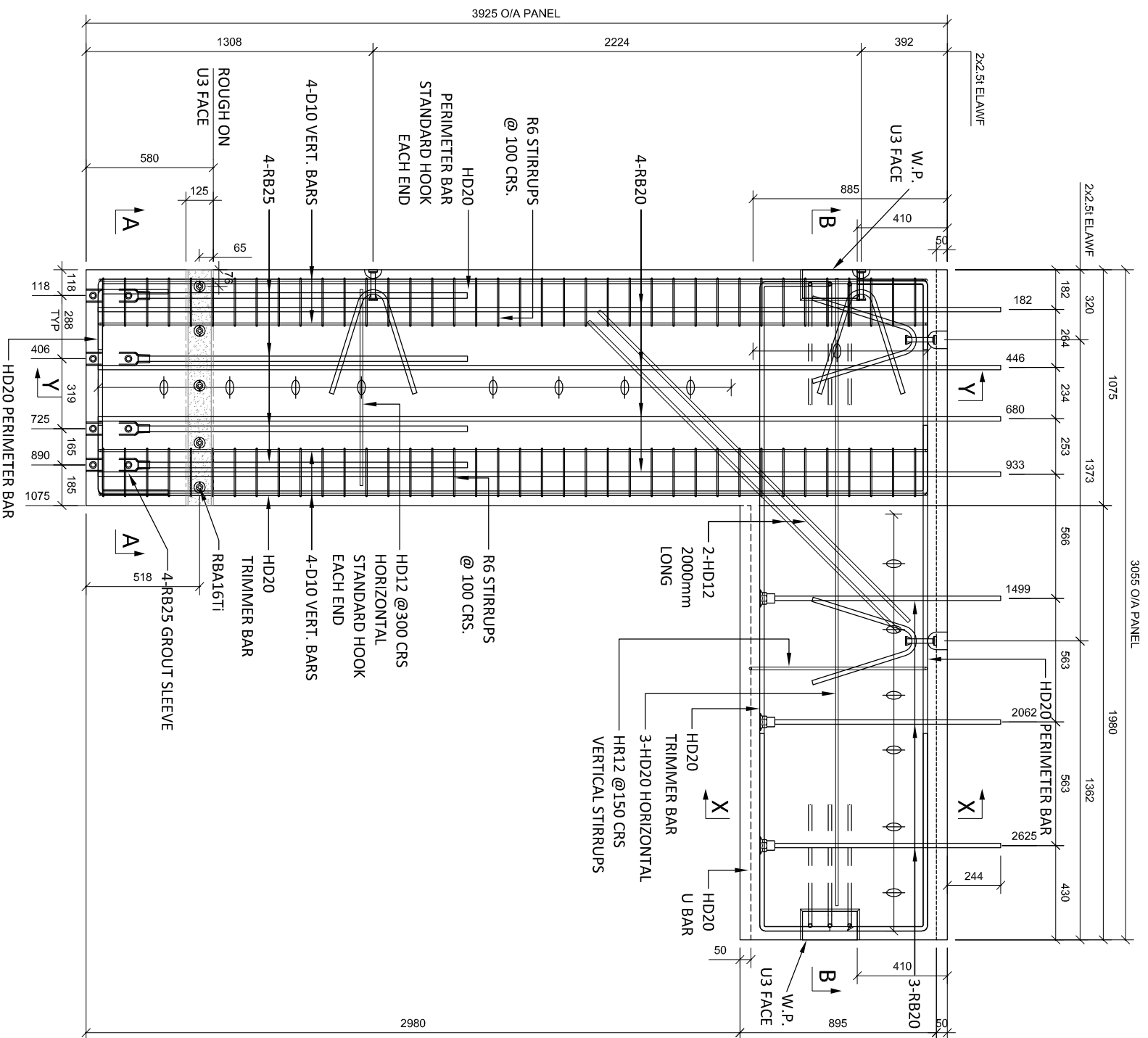
WILSON
20 JARVIS WAY
EAST TAMAKI
TEL (09) 271 5730
FAX (09) 271 2047

Contractor
Downer NZ

Job
**WESTERN SPRINGS COLLEGE
REDEVELOPMENT 100 MOTIONS ROAD
WESTERN SPRINGS**

Title
**GYMNASIUM
P-GM-200-04**

Drawn	HP	Date	05/04/18	Job No.	1669
Checked	SP	Scale (A3)	1:25	P-GM-200-04-2	1
				Dwg No.	
				REV.	



P-GM-200-05 PLAN AS CAST - 200 THK
SCALE :- 1:25

SECTION Y-Y
SCALE :- 1:25

SECTION X-X
SCALE :- 1:25

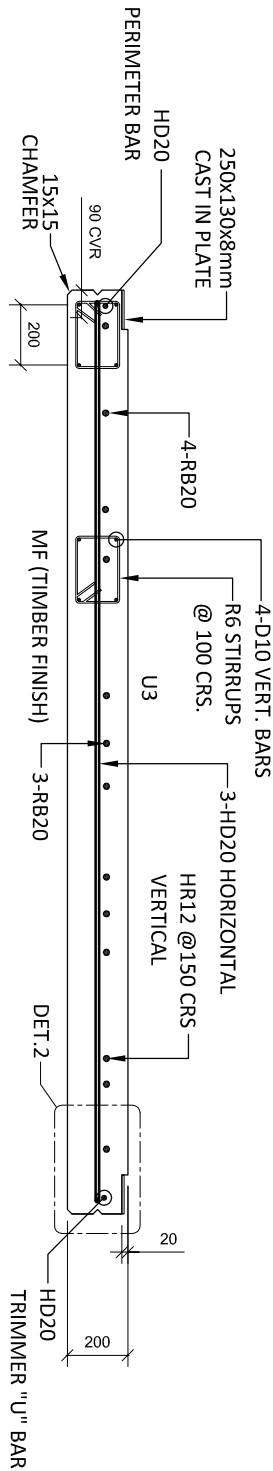
DRAWING TO BE READ IN CONJUNCTION WITH P-GM-200-05-2

COPYRIGHT RESERVED	Drawn	HP	Date	Scale (A3)	Job No.	Rev.
Checked	SP	1:25	05/04/18	1:25	1669	1
0	10/07/18	UPDATED AS PER COMMENT	NS			
1	16/05/18	ISSUE FOR CONSTRUCTION	KP			

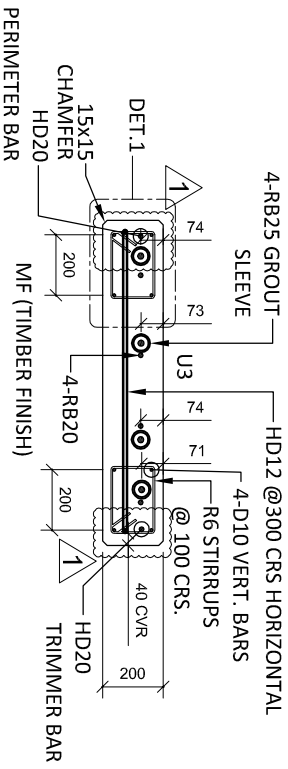
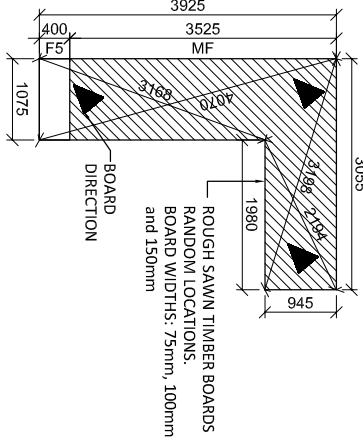
INSPECTION & TEST PLAN	
INSPECTED BY	
NAME OF FABRICATOR	
UNIT NO.	
CAST DATE	
CAST TIME	
CONCRETE DOCKET NO.	
CONCRETE SPECIF. (MPa)	
ITEM	FABRICATOR APPROVED INITIAL Y / N
MOULD CLEANLINESS	
RELEASE OIL	
DIMENSIONS	
FORMWORK FIXED	
OPENING / REBATES CORRECT & POSITION	
HOLD POINT	
REINFORCING CORRECT	
LAPS & SPLICES CORRECT	
SPACING & COVER CORRECT	
HOLD POINT	
LETTERS POSITIONED CORRECTLY	
CAST - IN ITEMS	
STARTERS, LAGGING BARS	
APPROVED FOR CASTING	
POST POUR INSPECTION	
INSPECTED BY	
DATE	
ITEM	APPROVED Y / N
SWIFTLIFTS POSITION	
SWIFTLIFTS RECESS CLEANED	
CAST-IN ITEMS CLEANED	
CONCRETE FINISH	
LABELLED (NUMBER / DATED)	
DAMAGE (CRACKS / CHIPPING)	
CLEANLINESS	
ANY ACTION REQUIRED:	
ROUGH SAWN TIMBER FINISH	
APPROVED FOR DISPATCH	
SLING ANGLE TO BE NOT LESS THAN 60° TO HORIZONTAL WHEN LIFTING	
400r TO ALL EDGES & FACES (UNO)	
CAST IN SUNDRY	
4XR20 GROUT SLEEVE.	
Area (m ²)	6.09
Vol (m ³)	1.22
Wt. (t)	3.05
MPa	40MPa
FINISH	ROUGH SAWN TIMBER 45° /U3 FINISH
NO: OFF	1

REV.	DATE	DESCRIPTION	DRAWN	APPROVED

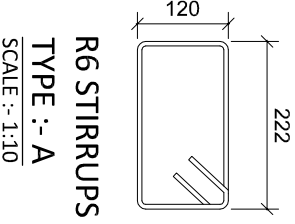
**ROUGH SAWN TIMBER INLAY
VIEWED AS CAST**



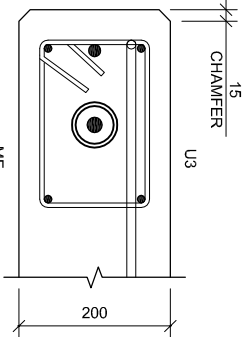
SECTION B-B
SCALE :- 1:25



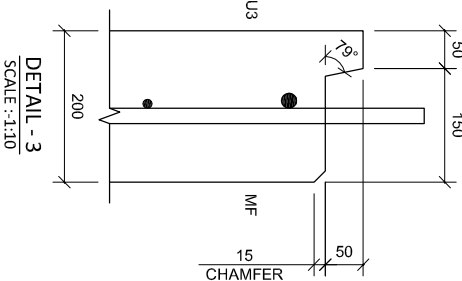
SECTION A-A
SCALE :- 1:25



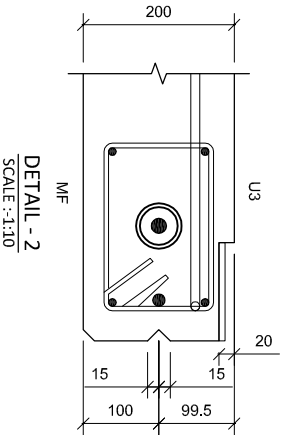
R6 STIRRUPS
TYPE :- A
SCALE :- 1:10



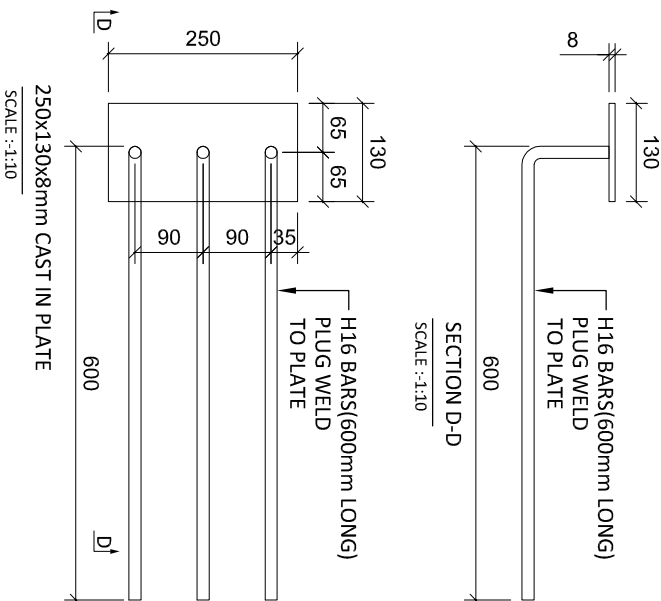
DETAIL - 1
SCALE :- 1:10



DETAIL - 3
SCALE :- 1:10



DETAIL - 2
SCALE :- 1:10



SECTION D-D
SCALE :- 1:10

INSPECTION & TEST PLAN
INSPECTED BY
NAME OF FABRICATOR
UNIT NO.
CAST DATE
CAST TIME
CONCRETE DOCKET NO.
CONCRETE SPECIF. (MPa)

ITEM	FABRICATOR APPROVED INITIAL	Y / N
MOULD CLEANLINESS		
RELEASE OIL		
DIMENSIONS		
FORMWORK FIXED		
OPENING / REBATES CORRECT & POSITION		
HOLD POINT		
REINFORCING CORRECT		
LAPS & SPLICES CORRECT		
SPACING & COVER CORRECT		
HOLD POINT		
LIFTERS POSITIONED CORRECTLY		
CAST - IN ITEMS STARTERS, LAGGING BARS		
APPROVED FOR CASTING		

POST POUR INSPECTION	
INSPECTED BY	
DATE	
ITEM	APPROVED
	Y / N
SWIFTLIFTS POSITION	
SWIFTLIFTS RECESS CLEANED	
CAST-IN ITEMS CLEANED	
CONCRETE FINISH	
LABELLED (NUMBER / DATED)	
DAMAGE (CRACKS / CHIPPING)	
CLEANLINESS	
ANY ACTION REQUIRED:	
ROUGH SAWN TIMBER FINISH	

APPROVED FOR DISPATCH
SLING ANGLE TO BE NOT LESS THAN 60° TO HORIZONTAL WHEN LIFTING
40CVR TO ALL EDGES & FACES (UNO)
CAST IN SUNDRY
4RRB20 GROUT SLEEVE.

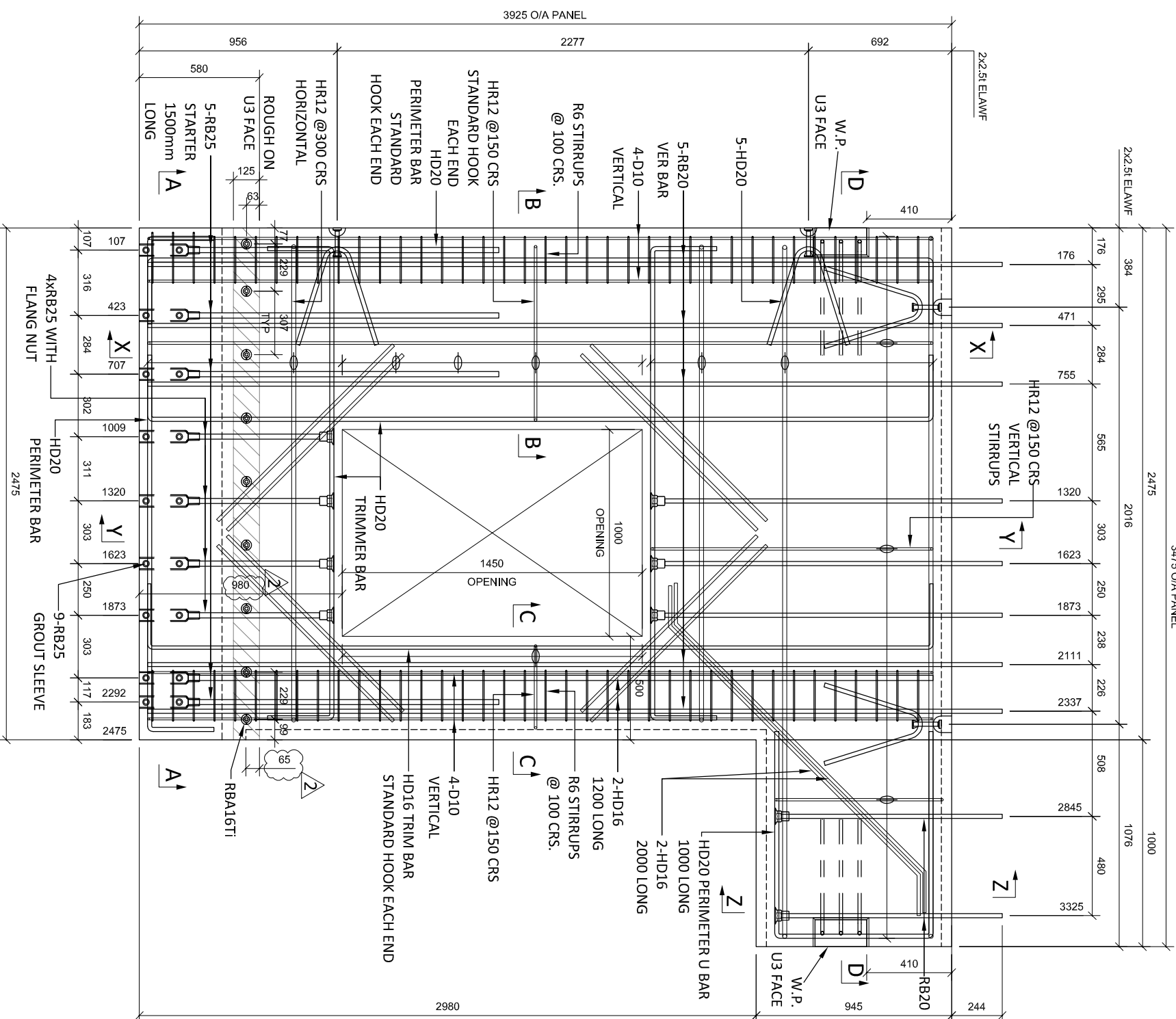
Area (m ²)	6.09
Vol (m ³)	1.22
Wt. (t)	3.05
MPa	40MPa
FINISH	ROUGH SAWN TIMBER 45° /U3 FINISH
NO: OFF	1

DRAWING TO BE READ IN CONJUNCTION WITH P-GM-200-05-1

20 JARVIS WAY EAST TAMAKI TEL (09) 271 5730 FAX (09) 271 2047	Contractor	Downer NZ	Job	WESTERN SPRINGS COLLEGE REDEVELOPMENT 100 MOTIONS ROAD WESTERN SPRINGS	Title	GYMNASIUM P-GM-200-05	COPYRIGHT RESERVED	Drawn	Checked	HP	SP	Date	Scale (A3)	1:25	Job No.	1669	P-GM-200-05-2	1	REV.
												05/04/18	1:25						
								1	10/07/18	UPDATED AS PER COMMENT									
								0	16/05/18	ISSUE FOR CONSTRUCTION									

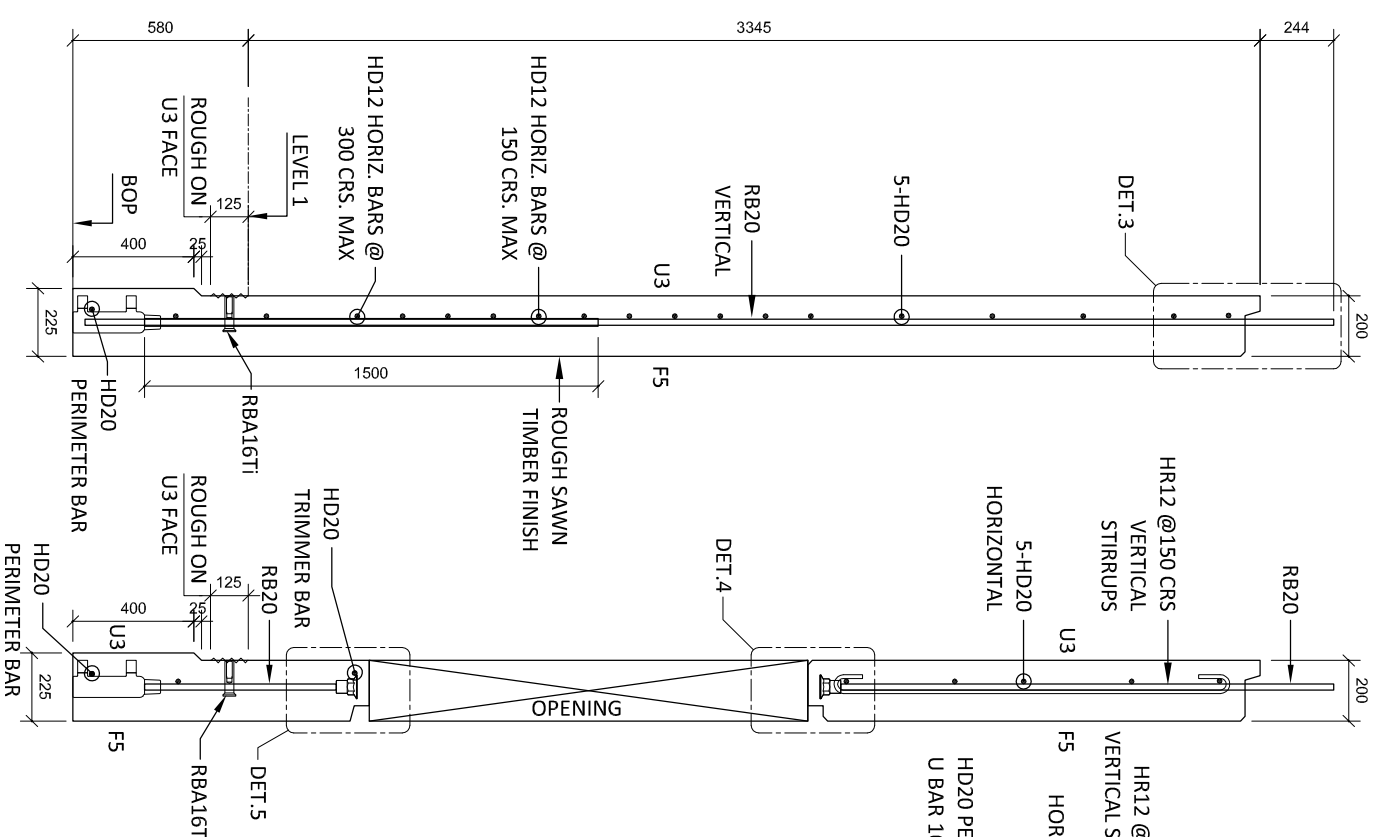


3475 O/A PANEL

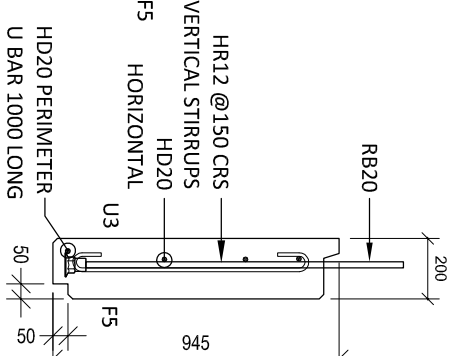


SECTION X-X
SCALE :- 1:25

SECTION Y-Y
SCALE :- 1:25



SECTION Z-Z
SCALE :- 1:25



INSPECTION & TEST PLAN	
INSPECTED BY	
NAME OF FABRICATOR	
UNIT NO.	
CAST DATE	
CAST TIME	
CONCRETE DOCKET NO.	
CONCRETE SPECIF. (MPa)	
ITEM	FABRICATOR APPROVED INITIAL Y / N
MOULD CLEANLINESS	
RELEASE OIL	
DIMENSIONS	
FORMWORK FIXED	
OPENING / REBATES CORRECT & POSITION	
HOLD POINT	
REINFORCING CORRECT	
LAPS & SPLICES CORRECT	
SPACING & COVER CORRECT	
HOLD POINT	
LETTERS POSITIONED CORRECTLY	
CAST - IN ITEMS	
STARTERS, LAGING BARS	
APPROVED FOR CASTING	

POST POUR INSPECTION	
INSPECTED BY	
DATE	
ITEM	APPROVED Y / N
SWIFTLIFTS POSITION	
SWIFTLIFTS RECESS CLEANED	
CAST-IN ITEMS CLEANED	
CONCRETE FINISH	
LABELLED (NUMBER / DATED)	
DAMAGE (CRACKS / CHIPPING)	
CLEANLINESS	
ANY ACTION REQUIRED:	
ROUGH SAWN TIMBER FINISH	

APPROVED FOR DISPATCH

SLING ANGLE TO BE NOT LESS THAN 60° TO HORIZONTAL WHEN LIFTING

40Cv TO ALL EDGES & FACES (UNO)
CAST IN SUNDRY 8xRB20 GROUT SLEEVE.

Area (m ²)	9.21
Vol (m ³)	1.84
Wt. (t)	4.60
MPa	40MPa
FINISH	ROUGH SAWN TIMBER 45° /U3 FINISH
NO. OFF	1

P-GM-200-06 PLAN AS CAST - 200 THK
SCALE :- 1:25

DRAWING TO BE READ IN CONJUNCTION WITH P-GM-200-06-2

WILSON
20 JARVIS WAY
EAST TAMAKI
TEL (09) 271 5730
FAX (09) 271 2047

Contractor
Downer NZ

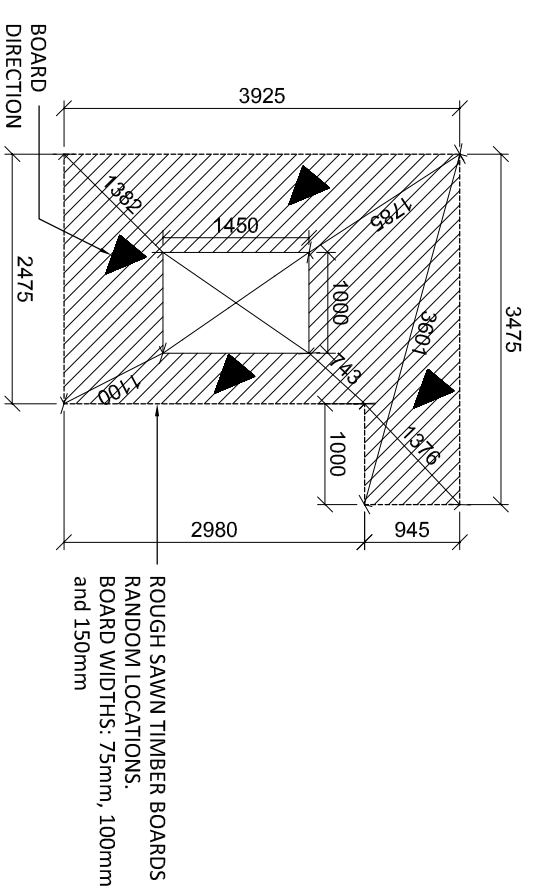
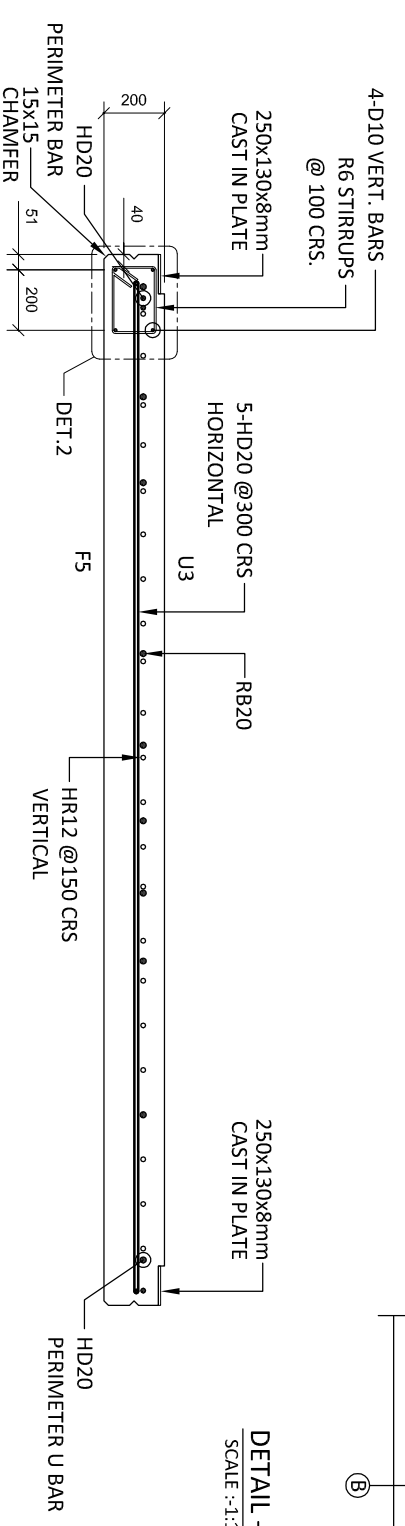
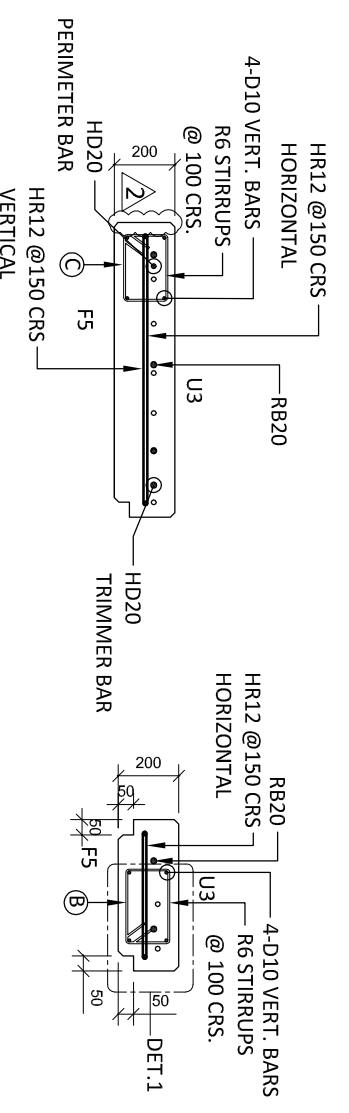
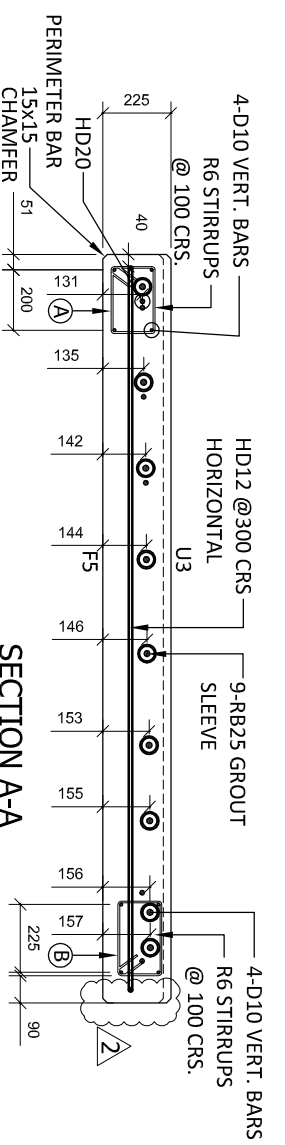
Job
WESTERN SPRINGS COLLEGE
REDEVELOPMENT 100 MOTIONS ROAD
WESTERN SPRINGS

Title
GYMNASIUM
P-GM-200-06

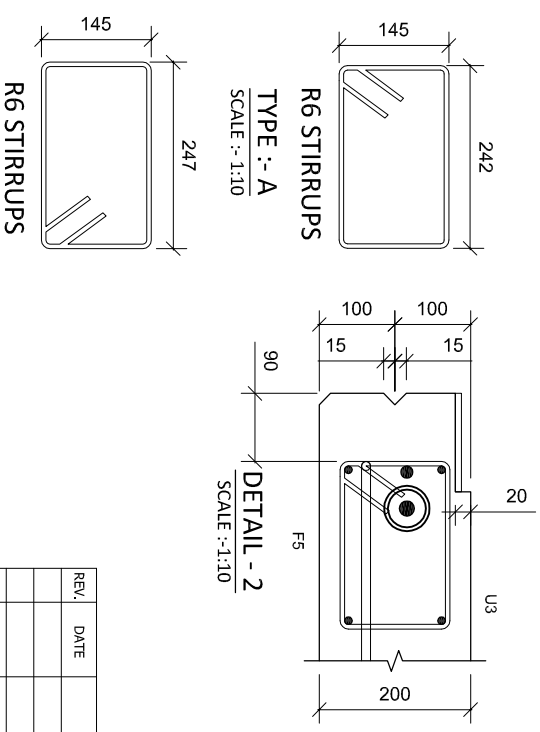
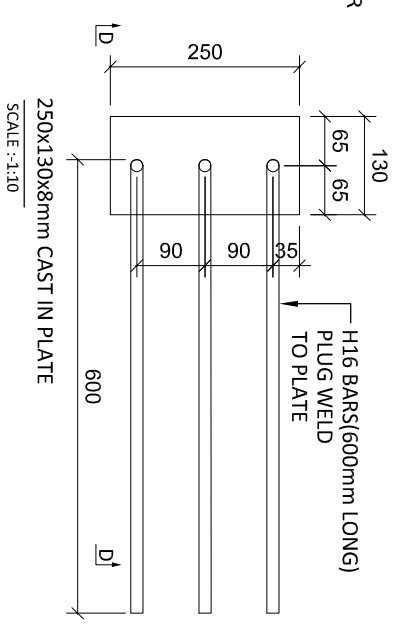
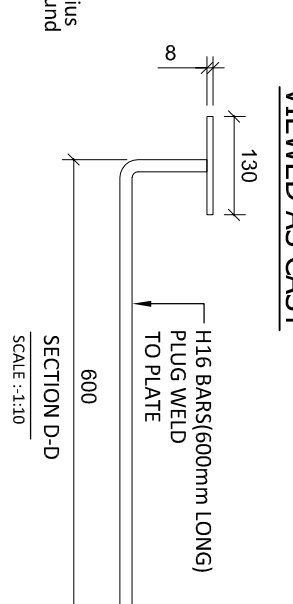
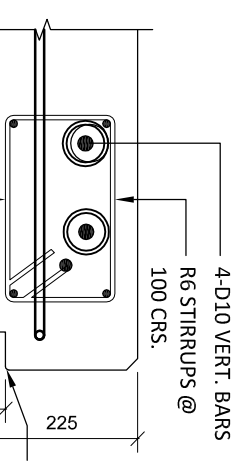
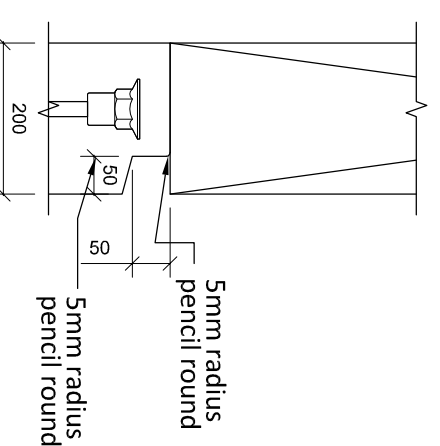
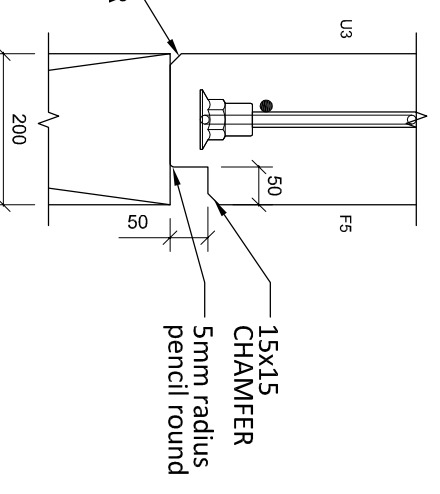
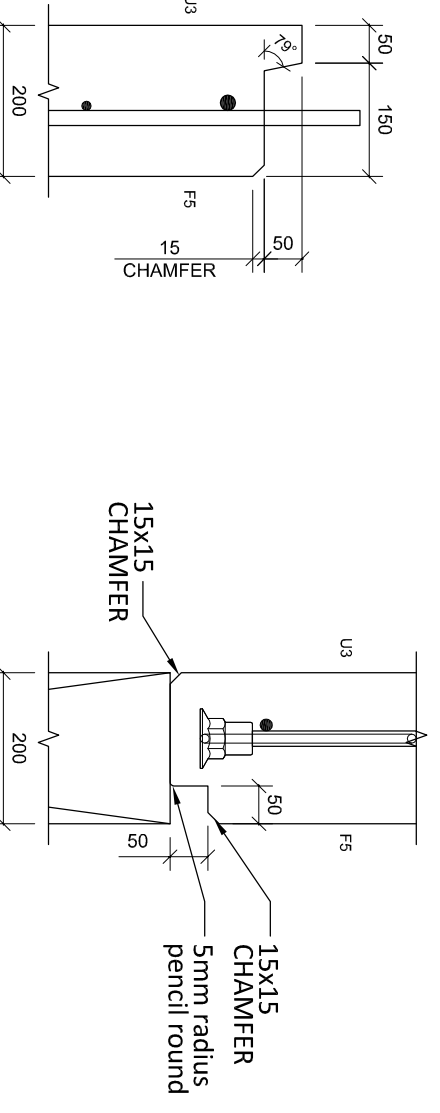
REV.	DATE	DESCRIPTION	DRAWN	APPROVED
2	10/07/18	UPDATED AS PER COMMENT	SS	
1	26/06/18	UPDATED AS PER COMMENT	NS	
0	16/05/18	ISSUE FOR CONSTRUCTION	KP	

REV.	DATE	DESCRIPTION	DRAWN	APPROVED
2	10/04/18		HP	
1	10/04/18		HP	
0	10/04/18		HP	

Copyright Reserved
Checked
SP
Scale (A3) 1:25
Job No. **1669**
P-GM-200-06-1
Dwg No.
REV. 2



ROUGH SAWN TIMBER BOARDS
RANDOM LOCATIONS.
BOARD WIDTHS: 75mm, 100mm
and 150mm



INSPECTION & TEST PLAN	
INSPECTED BY	
NAME OF FABRICATOR	
UNIT NO.	
CAST DATE	
CAST TIME	
CONCRETE DOCKET NO.	
CONCRETE SPECIF. (MPa)	
ITEM	FABRICATOR APPROVED
	INITIAL Y/N
MOULD CLEANLINESS	
RELEASE OIL	
DIMENSIONS	
FORMWORK FIXED	
OPENING / REBAR'S	
CORRECT & POSITION	
HOLD POINT	
REINFORCING CORRECT	
LAPS & SPLICES CORRECT	
SPACING & COVER CORRECT	
HOLD POINT	
LETTERS POSITIONED	
CORRECTLY	
CAST - IN ITEMS	
STARTERS, LAGING BARS	
APPROVED FOR CASTING	
POST POUR INSPECTION	
INSPECTED BY	
DATE	
ITEM	APPROVED
	Y / N
SWIFTLIFTS POSITION	
SWIFTLIFTS RECESS CLEANED	
CAST-IN ITEMS CLEANED	
CONCRETE FINISH	
LABELLED (NUMBER / DATED)	
DAMAGE (CRACKS / CHIPPING)	
CLEANLINESS	
ANY ACTION REQUIRED:	
ROUGH SAWN TIMBER FINISH	

REV.	DATE	DESCRIPTION	DRAWN	APPROVED
0	16/05/18	ISSUE FOR CONSTRUCTION	HP	
1	26/06/18	UPDATED AS PER COMMENT	NS	
2	10/07/18	UPDATED AS PER COMMENT	SS	

APPROVED FOR DISPATCH	
SLING ANGLE TO BE NOT LESS THAN 60° TO HORIZONTAL WHEN LIFTING	
400r TO ALL EDGES & FACES (UNO)	
CAST IN SUNDRY 8XRB20 GROUT SLEEVE.	
Area (m ²)	9.21
Vol (m ³)	1.84
Wt. (t)	4.60
MPa	40MPa
FINISH	ROUGH SAWN TIMBER 45° / U3 FINISH
NO. OFF	1

DRAWING TO BE READ IN CONJUNCTION WITH P-GM-200-06-1

COPYRIGHT RESERVED	Drawn	HP	Date	10/04/18	Job No.	1669
Checked		SP	Scale (A3)	1:10 1:25		
					Dwg No.	
					REV.	2