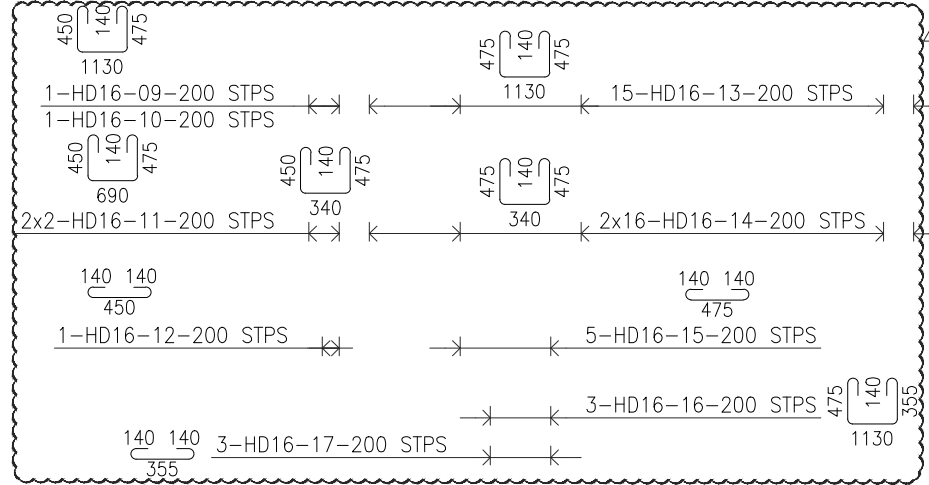
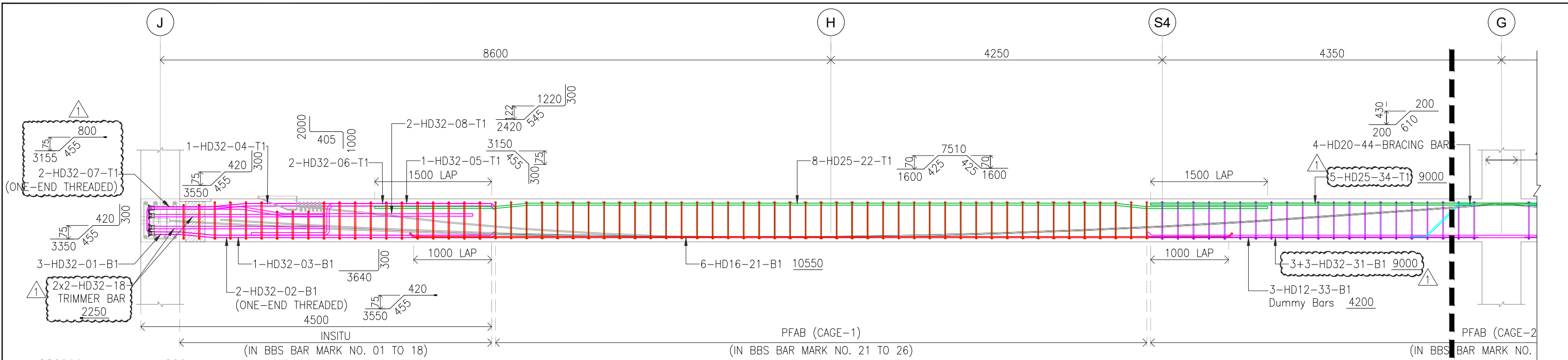
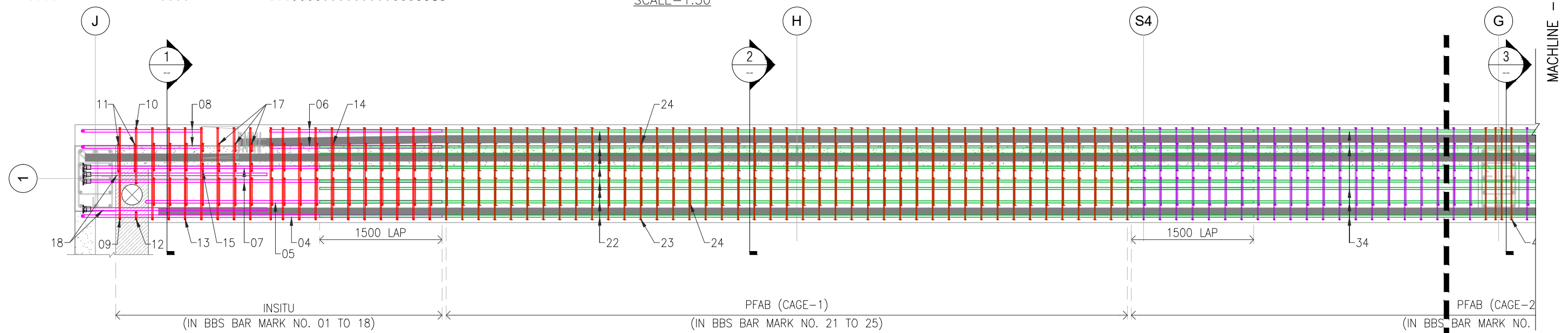




Auckland International Airport Transport Hub 1 – Auckland, New Zealand. Image is courtesy of Grimshaw.



L2P4-along Gridline 1  
PT BEAM (550Dx1200W) ELEVATION REINF. LAYOUT  
SCALE-1:50

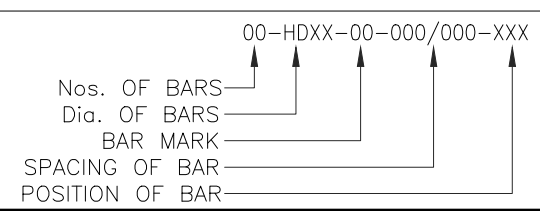


L2P4-along Gridline 1  
PT BEAM (550Dx1200W) PLAN REINF. LAYOUT  
SCALE-1:50

Rev.	Date	Revision Details	By	Ver.	App.
1	25/05/23	REVISED AS PER COMMENTS			
0	18/05/23	ISSUED FOR APPROVAL			

**LEGEND**

T1/T2- TOP BARS  
B1- BOTTOM BARS  
STPS- STIRRUPS



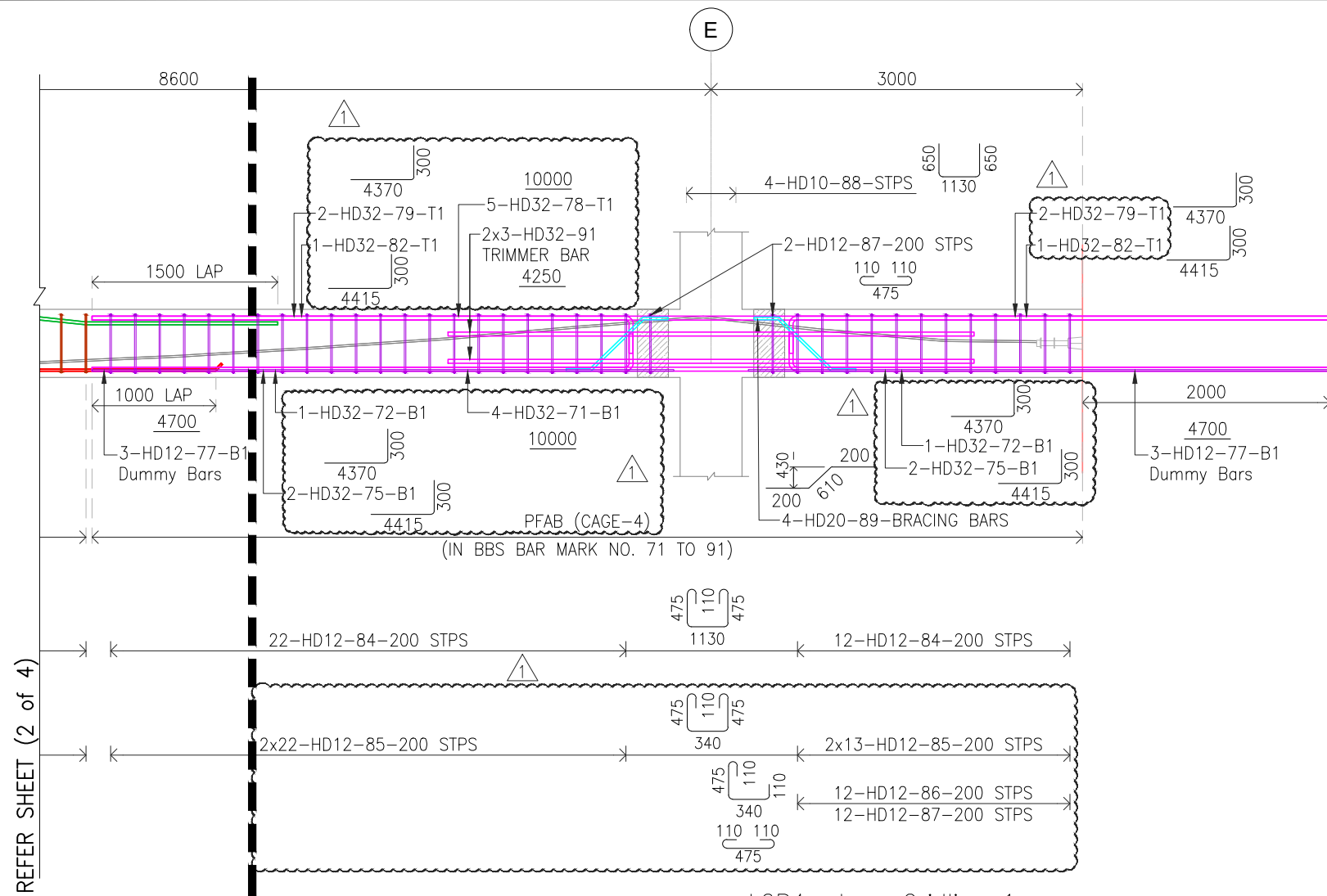
Project Director:	Initials:	Date:
Designed:		
Design Review:		
Drawn:	HO	
Drafting Check:	HT	

Project:	AIAL TRANSPORT HUB 1
Drawing Title:	LEVEL-2 PT BEAM REINF. DETAILS ON GRID-1 (POUR-4)

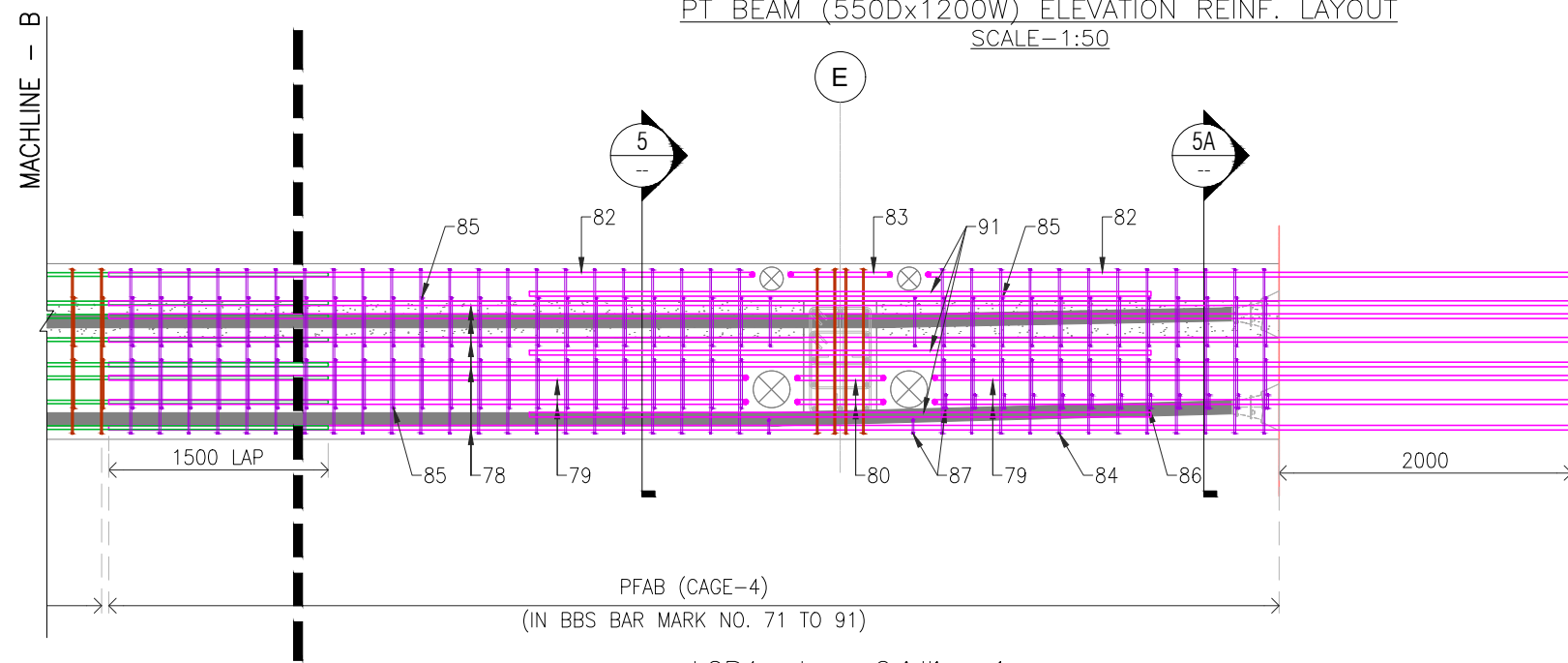
Project No.	
Scale:	AS SHOWN original sheet size A3
Drawing No.	ST-62
Rev.	1
1 of 4	

MACHINE - A REFER SHEET (2 of 4)





L2P4-along Gridline 1  
PT BEAM (550Dx1200W) ELEVATION REINF. LAYOUT  
SCALE-1:50



L2P4-along Gridline 1  
PT BEAM (550Dx1200W) PLAN REINF. LAYOUT  
SCALE-1:50

REFER SHEET (2 of 4)  
MACHINELINE - B

Rev.	Date	Revision Details	By	Ver.	App.
1	25/05/23	REVISED AS PER COMMENTS			
0	18/05/23	ISSUED FOR APPROVAL			

**LEGEND**  
T1/T2- TOP BARS  
B1- BOTTOM BARS  
STPS- STIRRUPS

Nos. OF BARS  
Dia. OF BARS  
BAR MARK  
SPACING OF BAR  
POSITION OF BAR

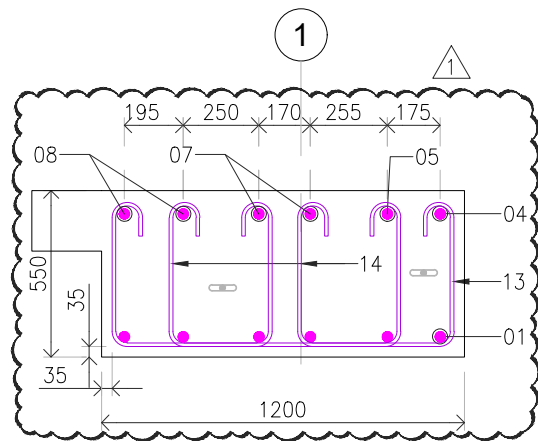
00-HDXX-00-000/000-XXX



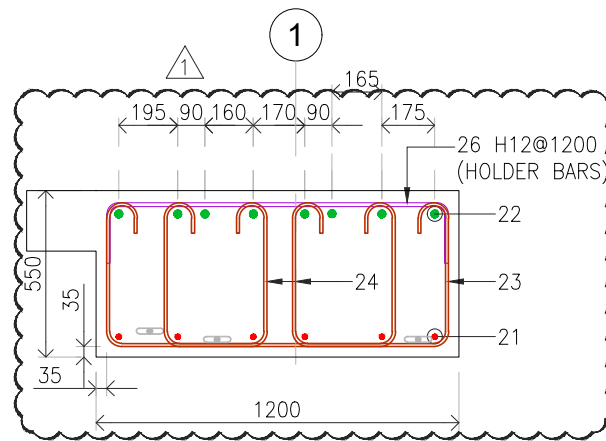
Project Director:	-	Initials:		Date:	
Designed:	-				
Design Review:	-				
Drawn:	HO				
Drafting Check:	HT				

Project:	AIAL TRANSPORT HUB 1
Drawing Title:	LEVEL-2 PT BEAM REINF. DETAILS ON GRID-1 (POUR-4)

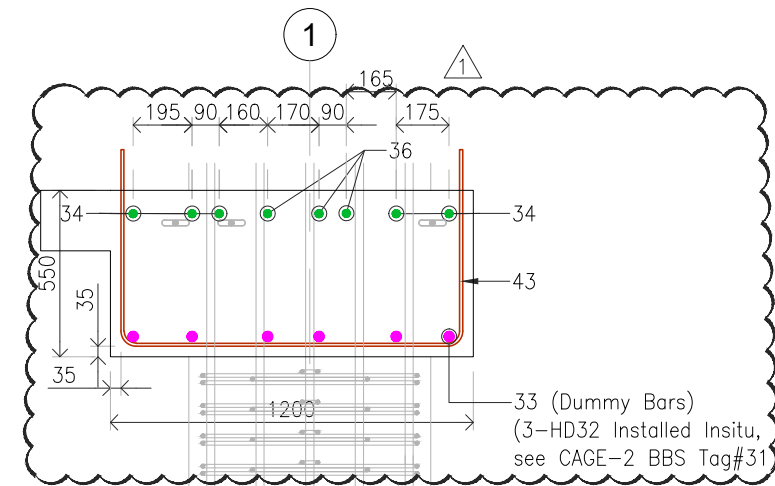
Project No.	
Scale:	AS SHOWN original sheet size A3
Drawing No.	ST-62
Rev.	1
3 of 4	



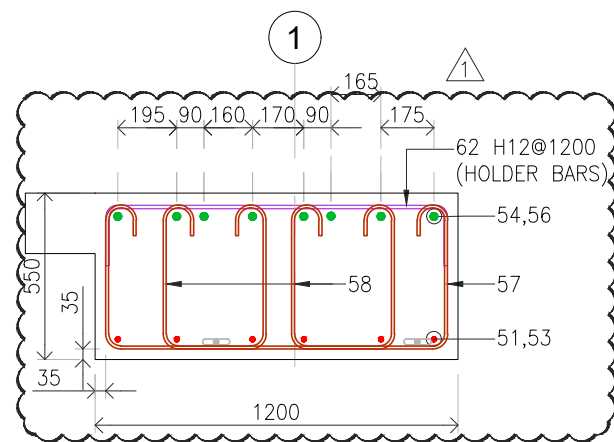
SECTION-1  
SCALE-1:25



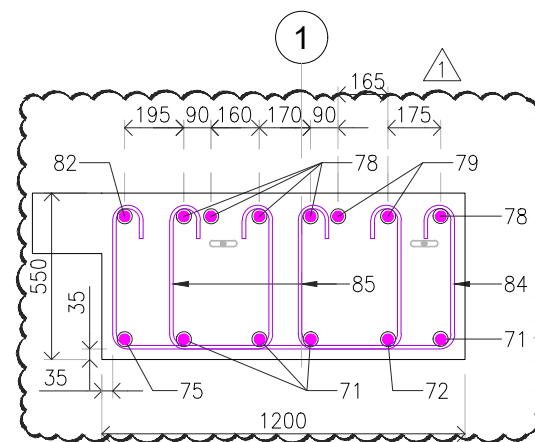
SECTION-2  
SCALE-1:25



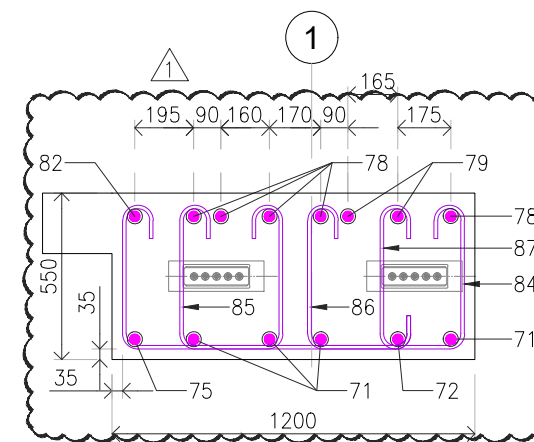
SECTION-3  
SCALE-1:25



SECTION-4  
SCALE-1:25



SECTION-5  
SCALE-1:25



SECTION-5A  
SCALE-1:25

Rev.	Date	Revision Details	By	Ver.	App.
1	25/05/23	REVISED AS PER COMMENTS			
0	18/05/23	ISSUED FOR APPROVAL			

**LEGEND**

T1/T2- TOP BARS  
B1- BOTTOM BARS  
STPS- STIRRUPS

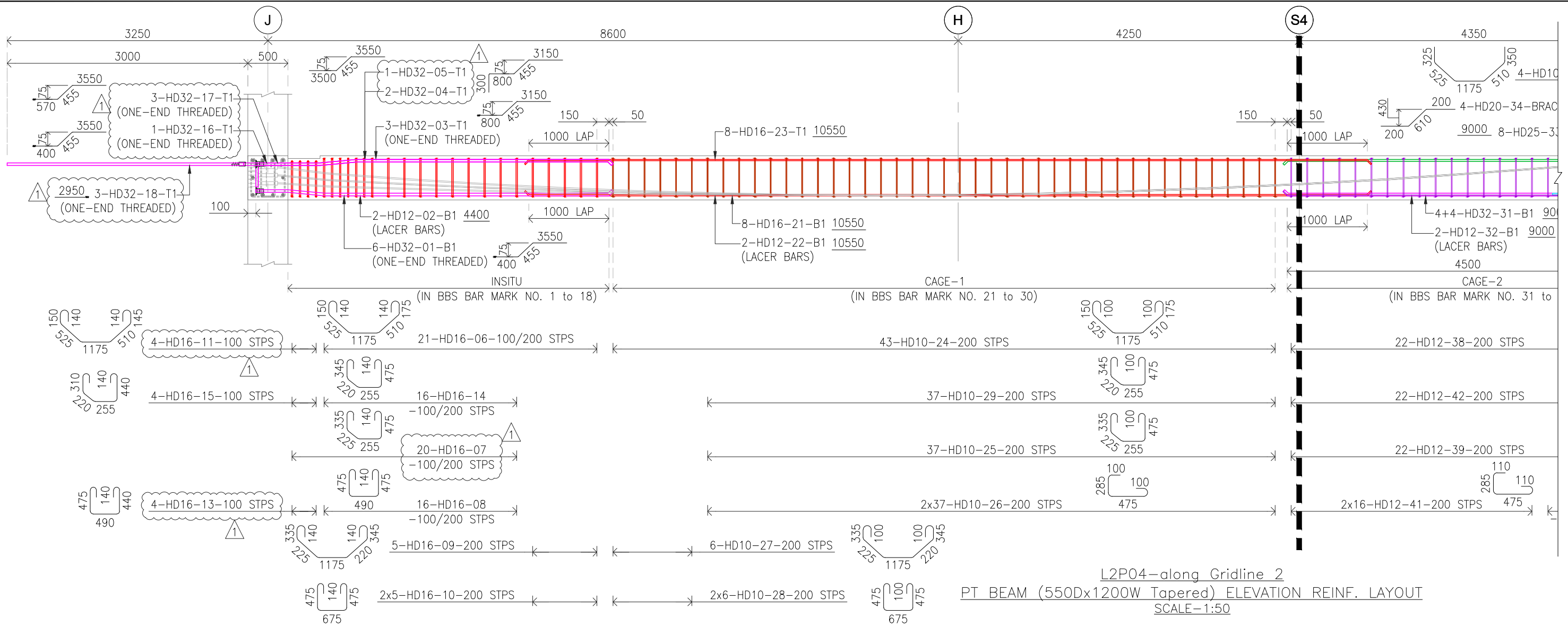
00-HDXX-00-000/000-XXX  
 ↑ Nos. OF BARS  
 ↑ Dia. OF BARS  
 ↑ BAR MARK  
 ↑ SPACING OF BAR  
 ↑ POSITION OF BAR



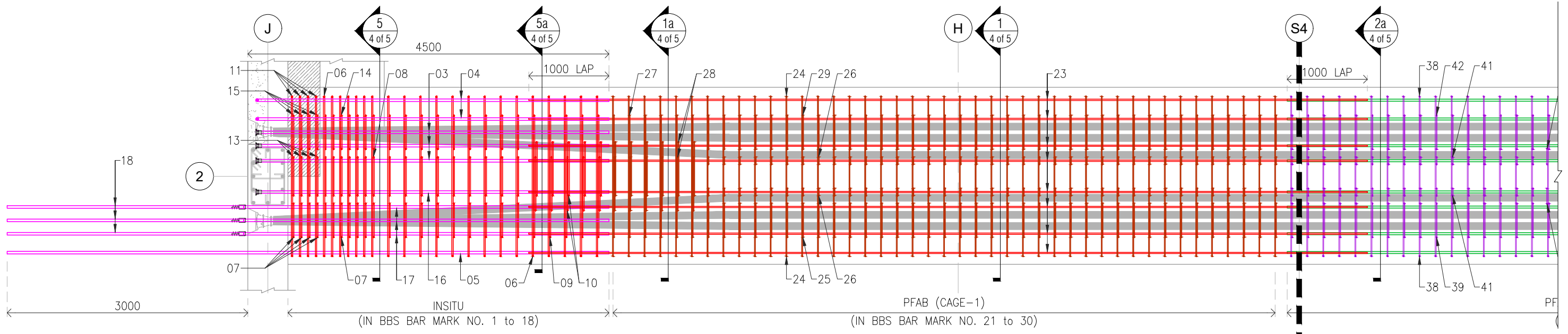
Project Director:	-	Initials:		Date:	
Designed:	-				
Design Review:	-				
Drawn:	HO				
Drafting Check:	HT				

Project:	AIAL TRANSPORT HUB 1
Drawing Title:	LEVEL-2 PT BEAM REINF. DETAILS ON GRID-1 (POUR-4)

Project No.	
Scale:	AS SHOWN original sheet size A3
Drawing No.	ST-62
Rev.	1
4 of 4	



L2P04-along Gridline 2  
PT BEAM (550Dx1200W Tapered) ELEVATION REINF. LAYOUT  
SCALE-1:50



L2P04-along Gridline 2  
PT BEAM (550Dx1200W Tapered) PLAN REINF. LAYOUT  
SCALE-1:50

Rev.	Date	Revision Details	By	Ver.	App.
1	23/05/23	REVISED AS PER COMMENTS	-	-	-
0	18/05/23	ISSUED FOR APPROVAL	-	-	-

**LEGEND**  
 T1/T2- TOP BARS  
 B1- BOTTOM BARS  
 STPS- STIRRUPS

Nos. OF BARS  
 Dia. OF BARS  
 BAR MARK  
 SPACING OF BAR  
 POSITION OF BAR

00-HDXX-00-000/000-XXX



Project Director:	-	Initials:		Date:	
Designed:	-				
Design Review:	-				
Drawn:	JM				
Drafting Check:	HP				

Project:  
AIAL TRANSPORT HUB 1

Drawing Title:  
LEVEL-2 PT BEAM REINF. DETAILS ON GRID-2 (POUR-4)

Project No.  
-

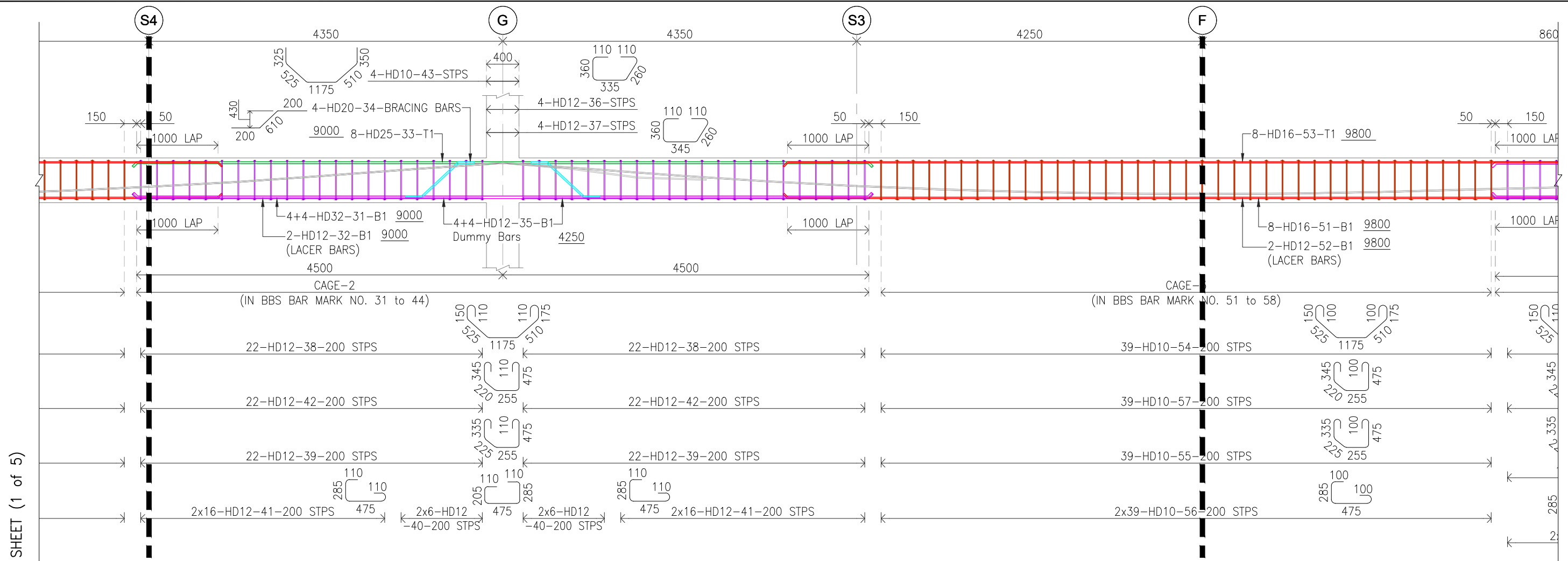
Scale:  
AS SHOWN  
original sheet size A3

Drawing No.  
ST-63

Rev.  
1

1 of 5

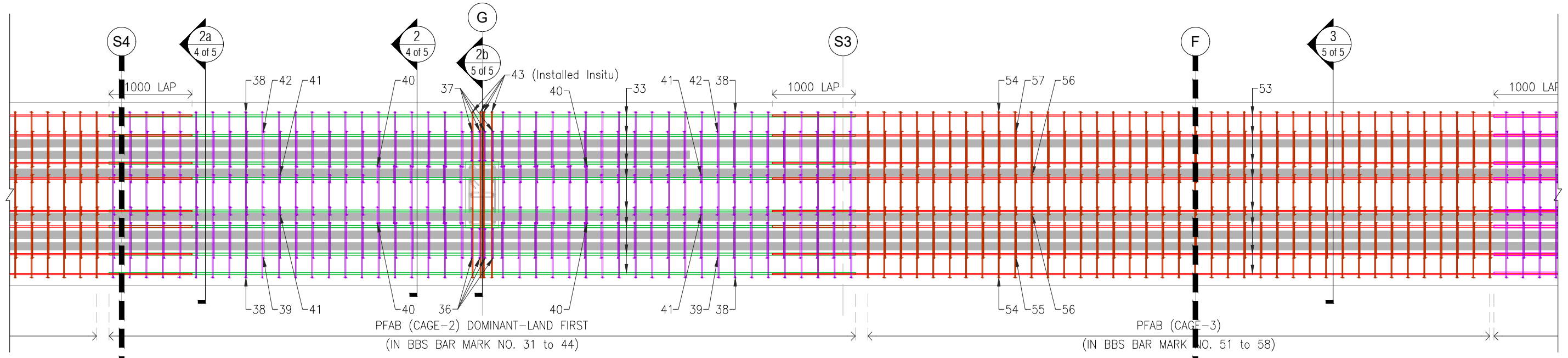
MACHINE - A REFER SHEET (2 of 5)



MACHINELINE - A REFER SHEET (1 of 5)

MACHINELINE - A REFER SHEET (3 of 5)

L2P04-along Gridline 2  
PT BEAM (550Dx1200W Tapered) ELEVATION REINF. LAYOUT  
SCALE-1:50



MACHINELINE - A

MACHINELINE - A

L2P04-along Gridline 2  
PT BEAM (550Dx1200W Tapered) PLAN REINF. LAYOUT  
SCALE-1:50

Rev.	Date	Revision Details	By	Ver.	App.
1	23/05/23	REVISED AS PER COMMENTS	-	-	-
0	18/05/23	ISSUED FOR APPROVAL	-	-	-

LEGEND	
T1/T2-	TOP BARS
B1-	BOTTOM BARS
STPS-	STIRRUPS

Nos. OF BARS	
00-HDXX-00-000/000-XXX	
Dia. OF BARS	
BAR MARK	
SPACING OF BAR	
POSITION OF BAR	

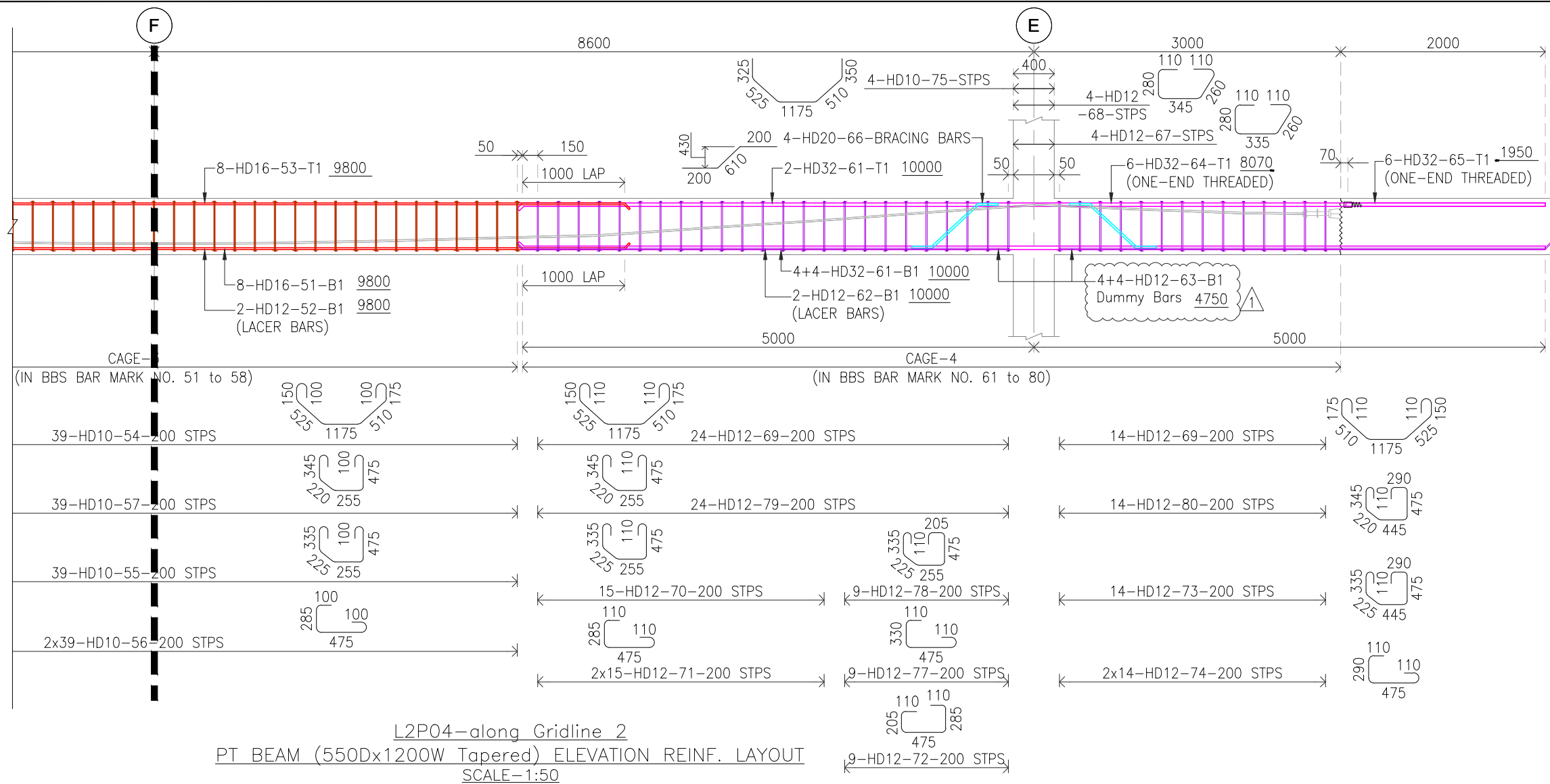


Project Director:	-	Initials:		Date:	
Designed:	-				
Design Review:	-				
Drawn:	JM				
Drafting Check:	HP				

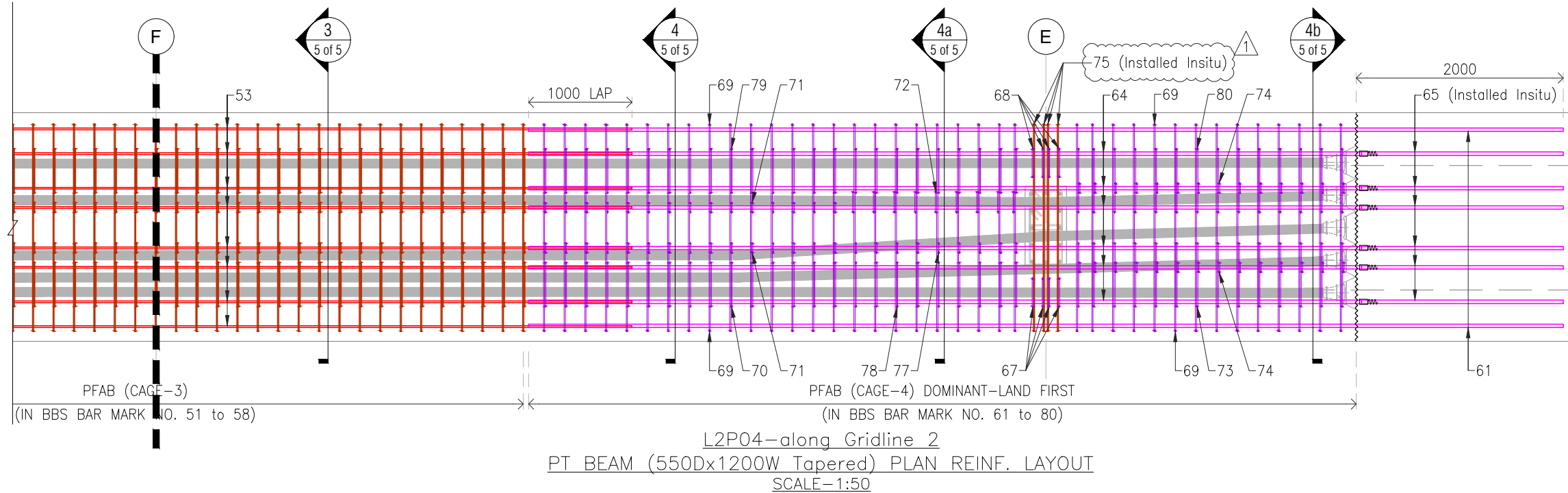
Project:	AIAL TRANSPORT HUB 1
Scale:	AS SHOWN original sheet size A3
Drawing Title:	LEVEL-2 PT BEAM REINF. DETAILS ON GRID-2 (POUR-4)

Project No.	
Drawing No.	ST-63
Rev.	1
2 of 5	

MACHINELINE - A REFER SHEET (2 of 5)



L2P04-along Gridline 2  
PT BEAM (550Dx1200W Tapered) ELEVATION REINF. LAYOUT  
SCALE-1:50



L2P04-along Gridline 2  
PT BEAM (550Dx1200W Tapered) PLAN REINF. LAYOUT  
SCALE-1:50

Rev.	Date	Revision Details	By	Ver.	App.
1	23/05/23	REVISED AS PER COMMENTS	-	-	-
0	18/05/23	ISSUED FOR APPROVAL	-	-	-

**LEGEND**  
T1/T2- TOP BARS  
B1- BOTTOM BARS  
STPS- STIRRUPS

Nos. OF BARS  
Dia. OF BARS  
BAR MARK  
SPACING OF BAR  
POSITION OF BAR

00-HDXX-00-000/000-XXX

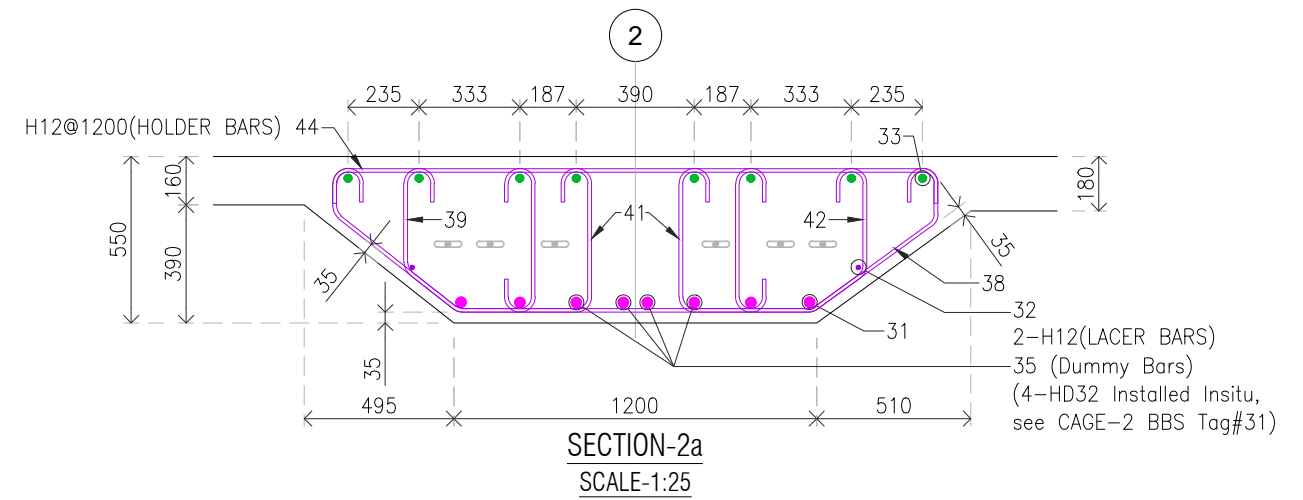
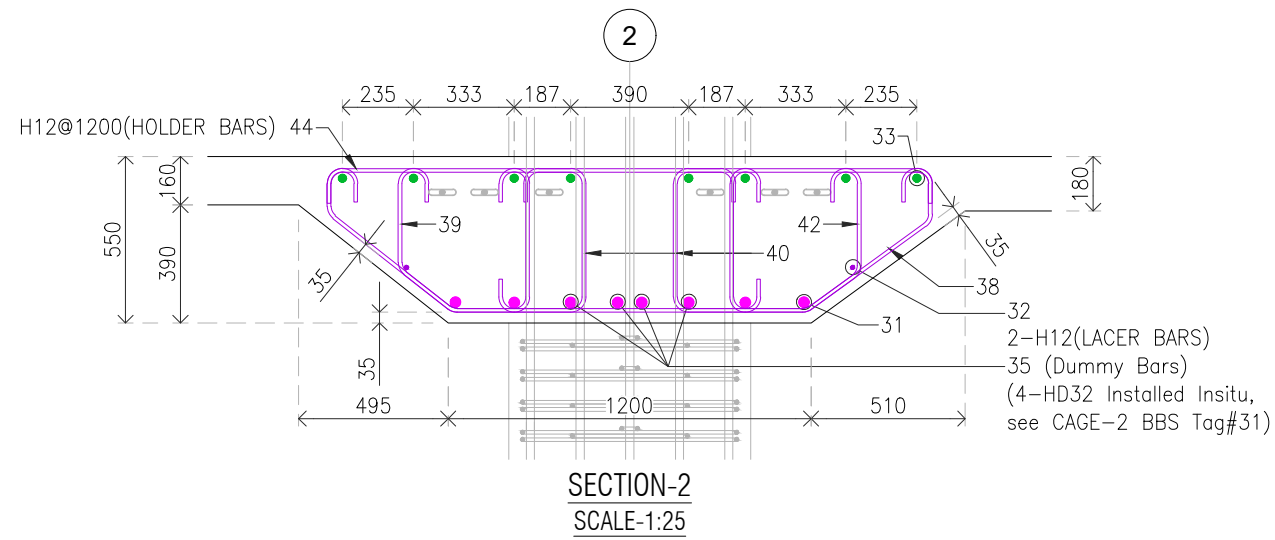
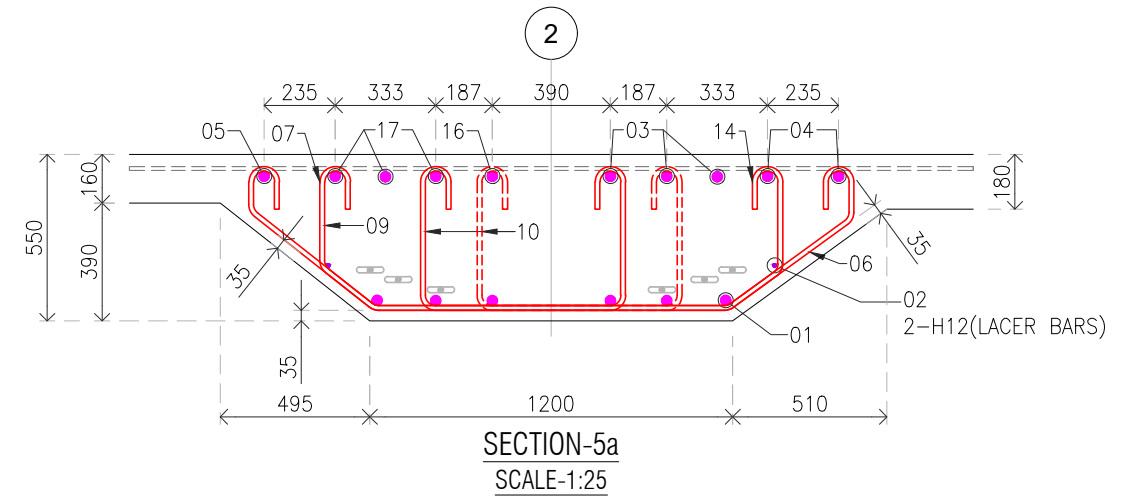
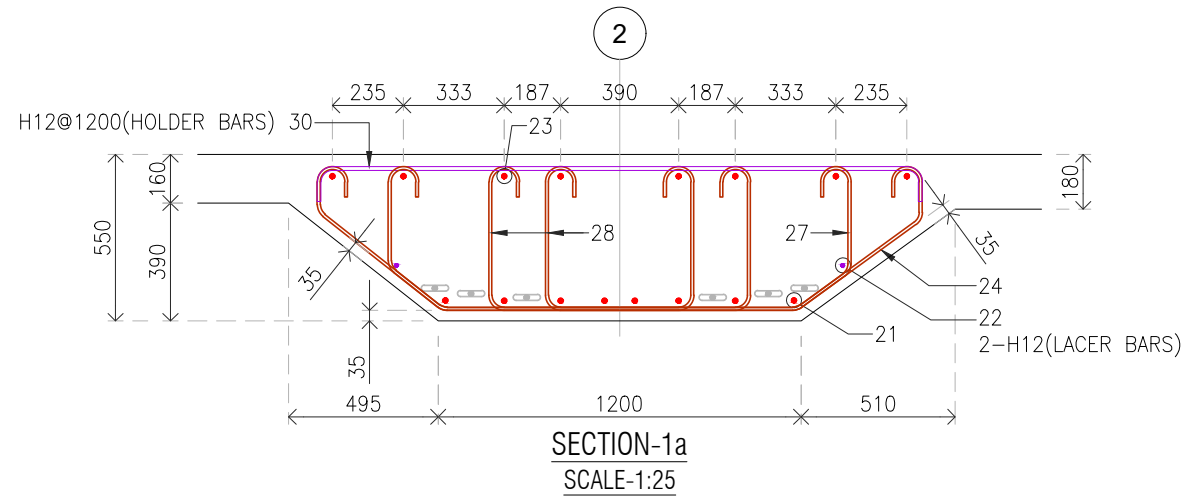
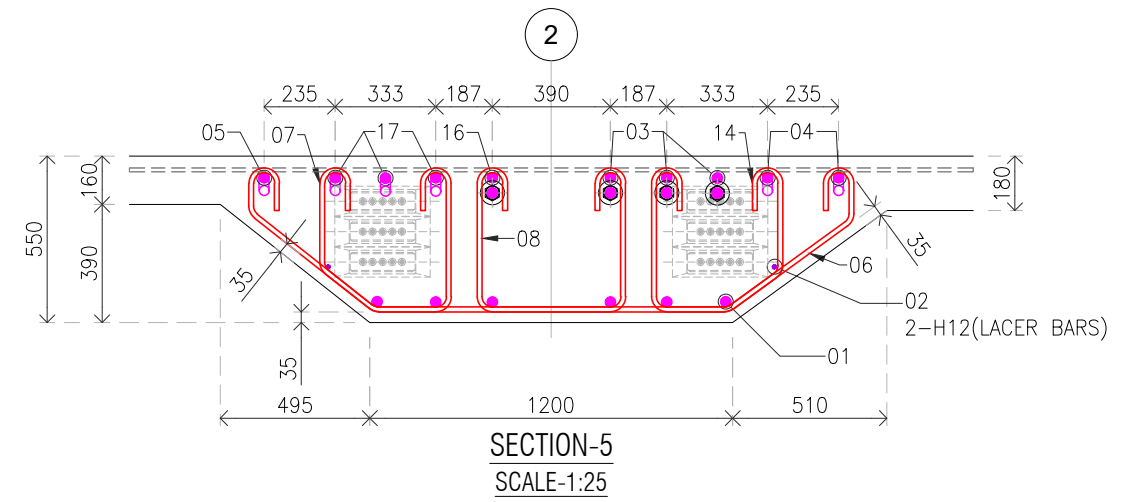
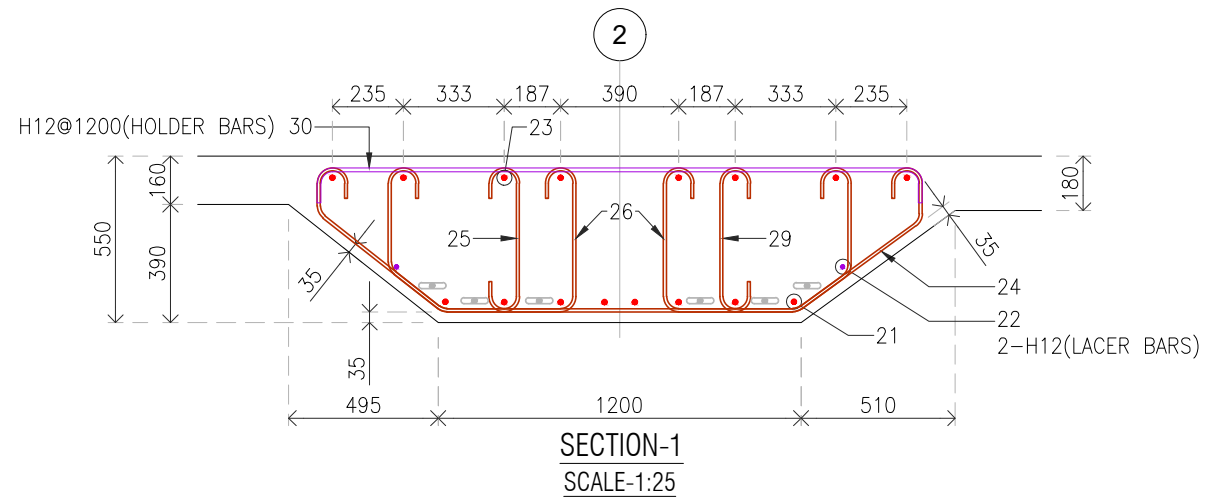


Project Director:	-	Initials:		Date:	
Designed:	-				
Design Review:	-				
Drawn:	JM				
Drafting Check:	HP				

Project:	AIAL TRANSPORT HUB 1
Drawing Title:	LEVEL-2 PT BEAM REINF. DETAILS ON GRID-2 (POUR-4)

Project No.	
Scale:	AS SHOWN original sheet size A3
Drawing No.	ST-63
Rev.	1
	3 of 5





Note:

- C LINKS ARE INLIEU OF NORMAL LINKS DUE TO CLASH WITH DUCTS AND COLUMN VERTICALS.
- RE-ARRANGEMENT OF DUCTS TO AVOID CLASH WITH COLUMN VERTICALS.
- BOTTOM BARS RUNNING THRU COLUMNS TO BE INSTALLED INSITU, REPLACED WITH 12MM DUMMY BARS TERMINATING EACH SIDE OF THE COLUMN.

Rev.	Date	Revision Details	By	Ver.	App.
1	23/05/23	REVISED AS PER COMMENTS	-	-	-
0	18/05/23	ISSUED FOR APPROVAL	-	-	-

**LEGEND**

T1/T2- TOP BARS  
B1- BOTTOM BARS  
STPS- STIRRUPS

Nos. OF BARS  
Dia. OF BARS  
BAR MARK  
SPACING OF BAR  
POSITION OF BAR

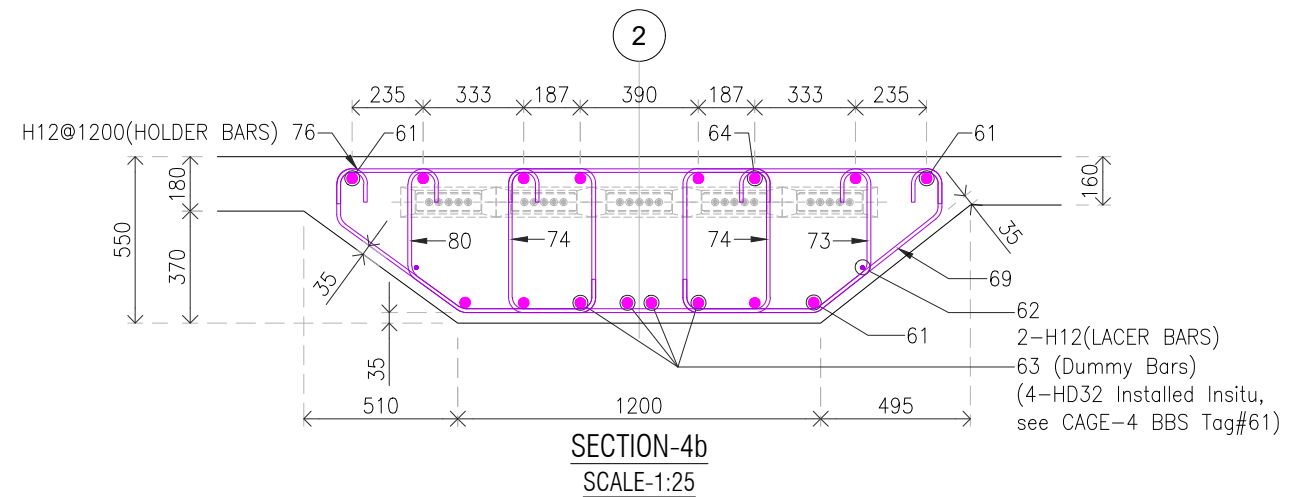
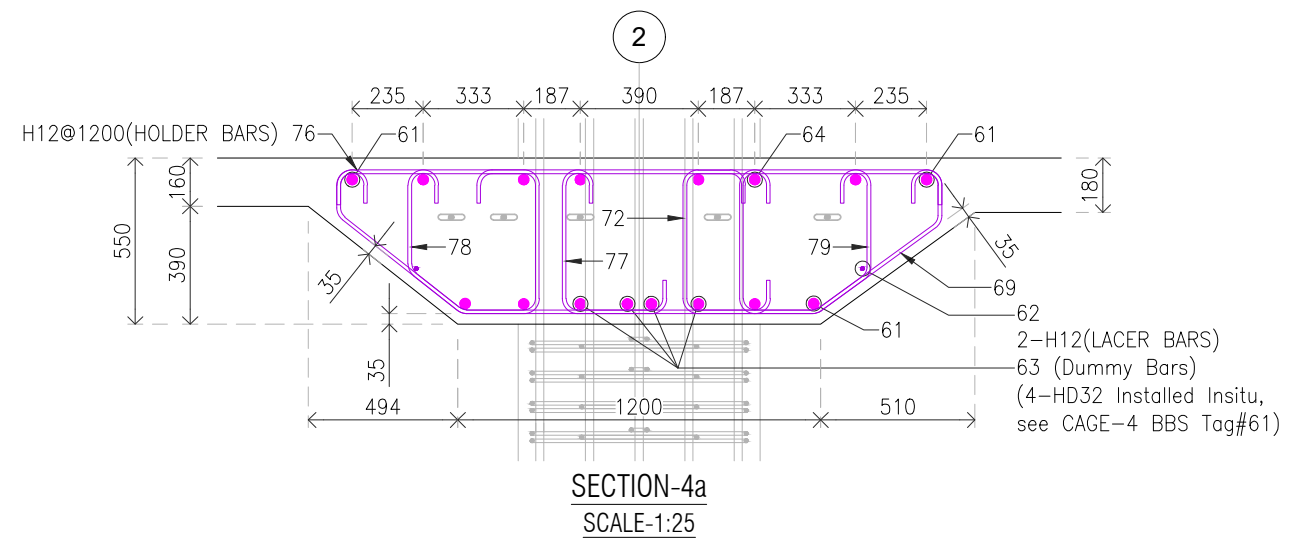
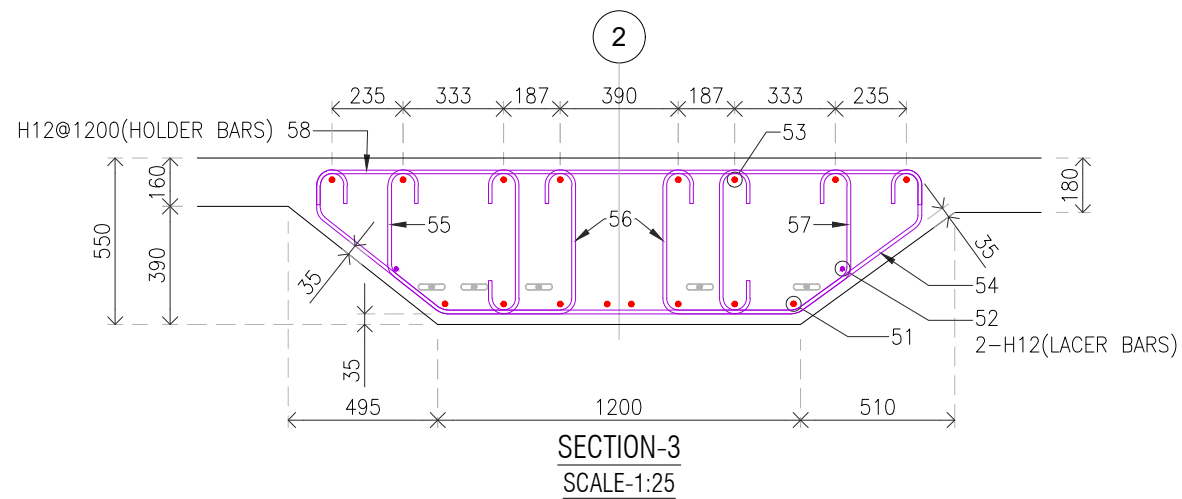
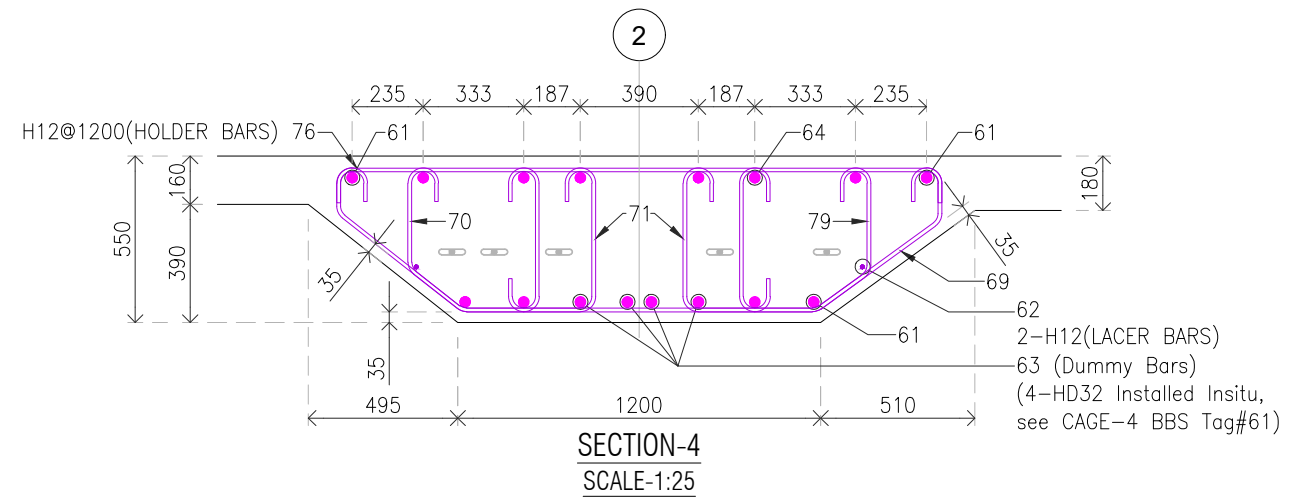
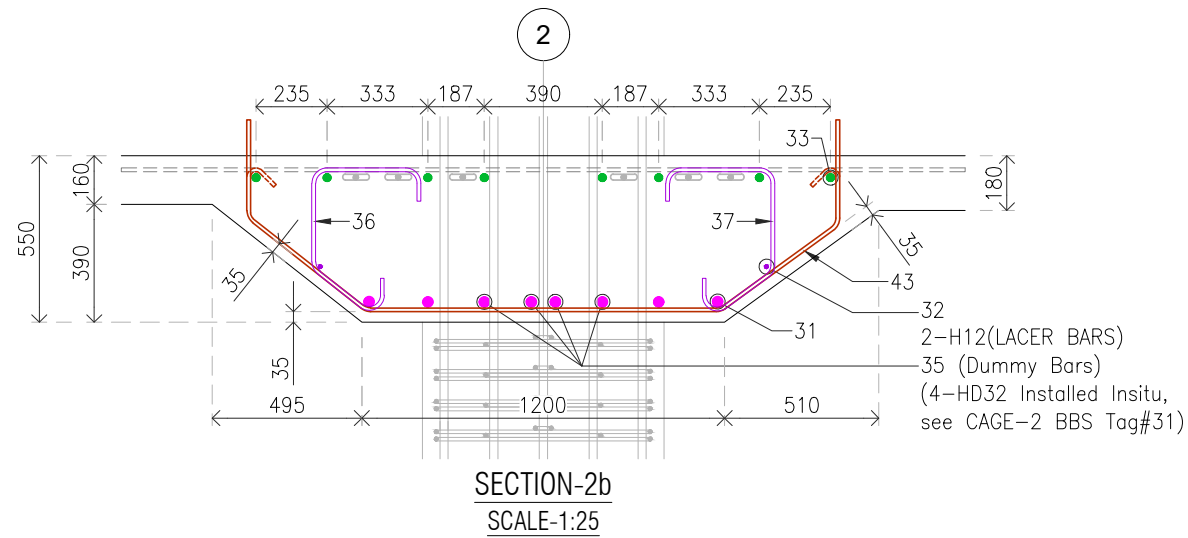
00-HDXX-00-000/000-XXX



Project Director:	-	Initials:		Date:	
Designed:	-				
Design Review:	-				
Drawn:	JM				
Drafting Check:	HP				

Project:	AIAL TRANSPORT HUB 1
Drawing Title:	LEVEL-2 PT BEAM REINF. DETAILS ON GRID-2 (POUR-4)

Project No.	
Scale:	AS SHOWN original sheet size A3
Drawing No.	ST-63
Rev.	1
4 of 5	



Note:

1. C LINKS ARE IN LIEU OF NORMAL LINKS DUE TO CLASH WITH DUCTS AND COLUMN VERTICALS.
2. RE-ARRANGEMENT OF DUCTS TO AVOID CLASH WITH COLUMN VERTICALS.
3. BOTTOM BARS RUNNING THRU COLUMNS TO BE INSTALLED INSITU, REPLACED WITH 12MM DUMMY BARS TERMINATING EACH SIDE OF THE COLUMN.

Rev.	Date	Revision Details	By	Ver.	App.
1	23/05/23	REVISED AS PER COMMENTS	-	-	-
0	18/05/23	ISSUED FOR APPROVAL	-	-	-

**LEGEND**

T1/T2-	TOP BARS
B1-	BOTTOM BARS
STPS-	STIRRUPS

00-HDXX-00-000/000-XXX

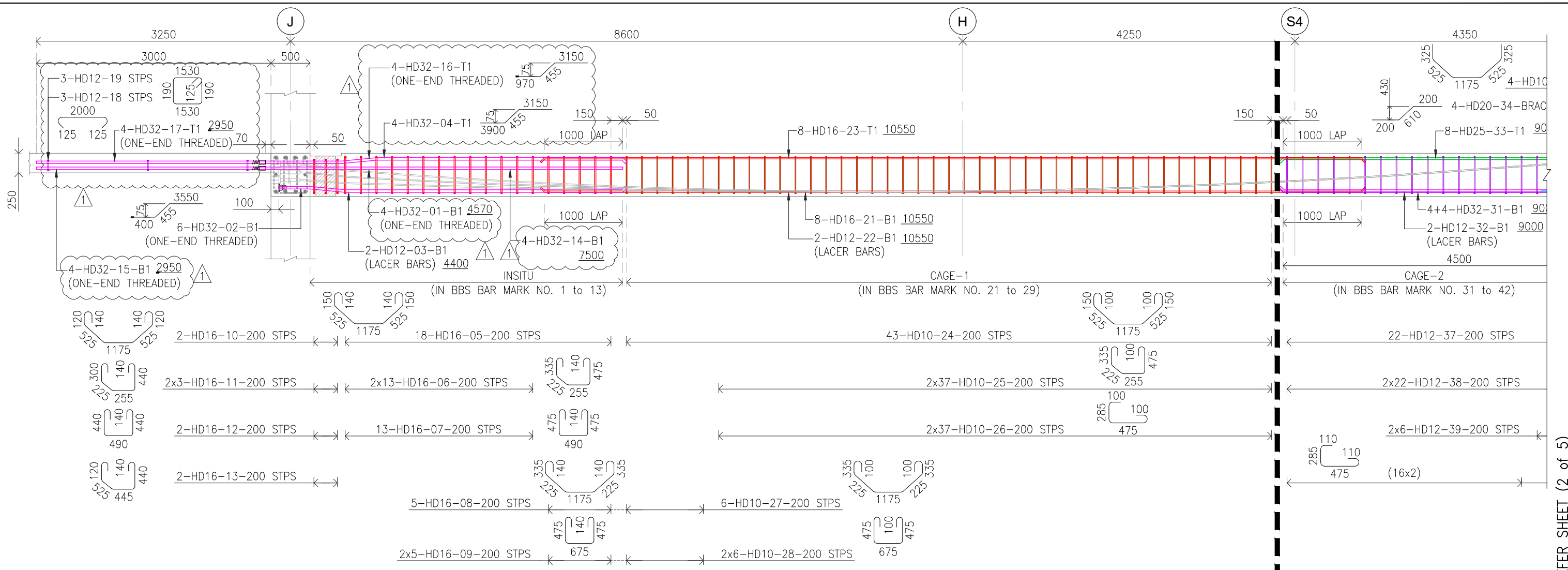
Nos. OF BARS  
Dia. OF BARS  
BAR MARK  
SPACING OF BAR  
POSITION OF BAR



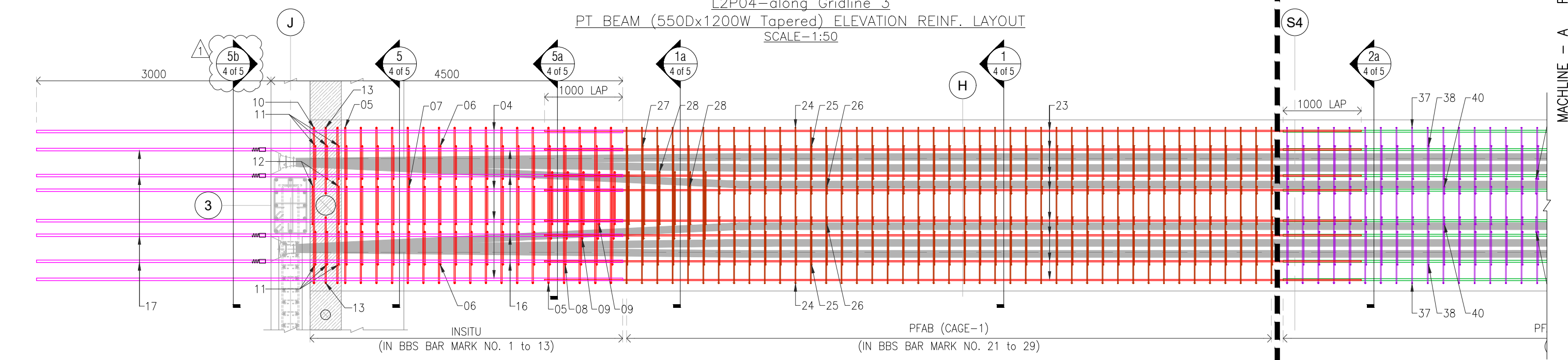
Project Director:	-	Initials:		Date:	
Designed:	-				
Design Review:	-				
Drawn:	JM				
Drafting Check:	HP				

Project:	AIAL TRANSPORT HUB 1
Drawing Title:	LEVEL-2 PT BEAM REINF. DETAILS ON GRID-2 (POUR-4)

Project No.	
Scale:	AS SHOWN original sheet size A3
Drawing No.	ST-63
Rev.	1
5 of 5	



L2P04-along Gridline 3  
PT BEAM (550Dx1200W Tapered) ELEVATION REINF. LAYOUT  
SCALE-1:50



L2P04-along Gridline 3  
PT BEAM (550Dx1200W Tapered) PLAN REINF. LAYOUT  
SCALE-1:50

Rev.	Date	Revision Details	By	Ver.	App.
1	23/05/23	REVISED AS PER COMMENTS	-	-	-
0	12/05/23	ISSUED FOR APPROVAL	-	-	-

**LEGEND**  
T1/T2- TOP BARS  
B1- BOTTOM BARS  
STPS- STIRRUPS

Nos. OF BARS  
Dia. OF BARS  
BAR MARK  
SPACING OF BAR  
POSITION OF BAR

00-HDXX-00-000/000-XXX



Project Director:	Initials:	Date:
Designed:		
Design Review:		
Drawn:	NG	
Drafting Check:	HP	

Project:  
AIAL TRANSPORT HUB 1

Drawing Title:  
LEVEL-2 PT BEAM REINF. DETAILS ON GRID-3 (POUR-4)

Project No.

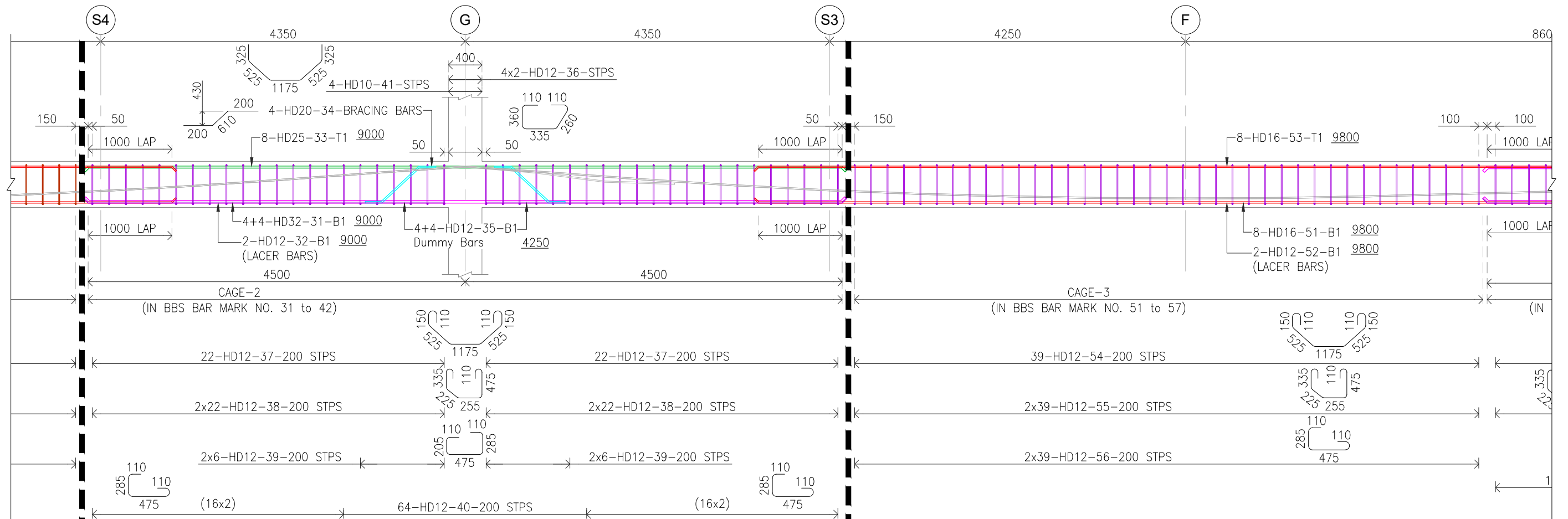
Scale:  
AS SHOWN  
original sheet size A3

Drawing No. ST-64  
Rev. 1  
1 of 5

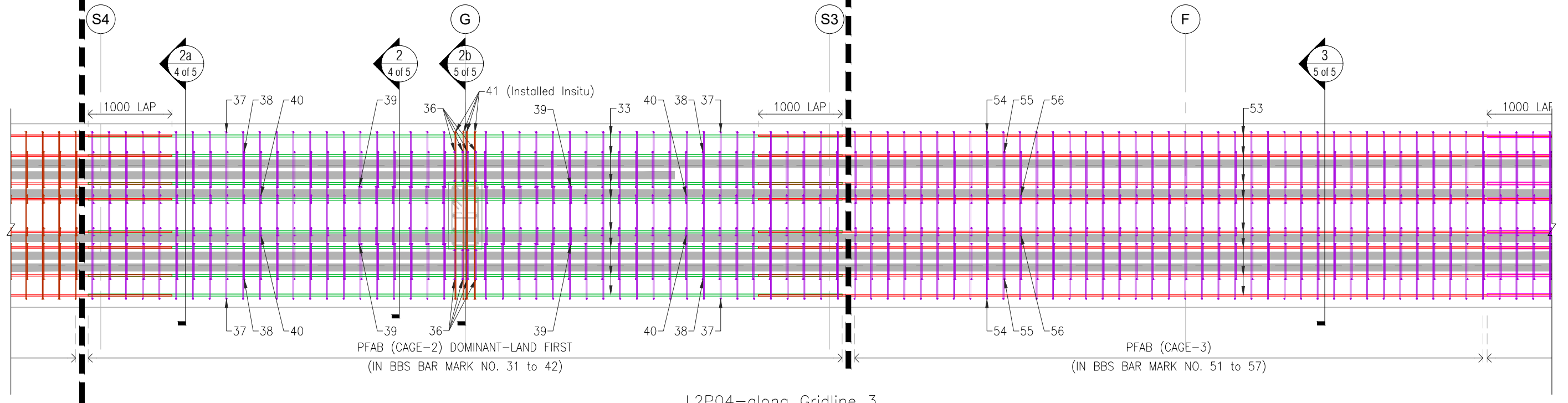
MACHINE - A REFER SHEET (2 of 5)

MACHINELINE - A REFER SHEET (1 of 5)

MACHINELINE - A REFER SHEET (3 of 5)



L2P04-along Gridline 3  
PT BEAM (550Dx1200W Tapered) ELEVATION REINF. LAYOUT  
SCALE-1:50



L2P04-along Gridline 3  
PT BEAM (550Dx1200W Tapered) PLAN REINF. LAYOUT  
SCALE-1:50

Rev.	Date	Revision Details	By	Ver.	App.
1	23/05/23	REVISED AS PER COMMENTS	-	-	-
0	12/05/23	ISSUED FOR APPROVAL	-	-	-

**LEGEND**  
T1/T2- TOP BARS  
B1- BOTTOM BARS  
STPS- STIRRUPS

Nos. OF BARS  
Dia. OF BARS  
BAR MARK  
SPACING OF BAR  
POSITION OF BAR

00-HDXX-00-000/000-XXX

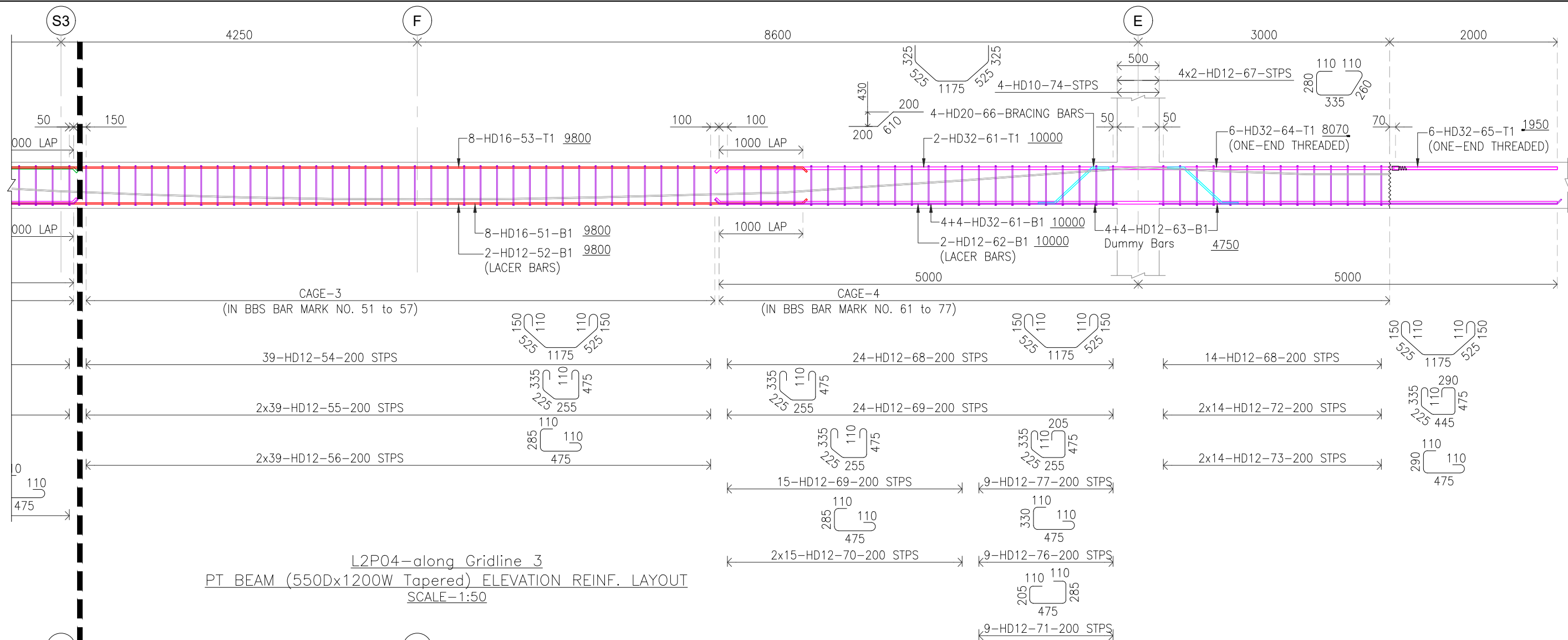


Project Director:	-	Initials:		Date:	
Designed:	-				
Design Review:	-				
Drawn:	NG				
Drafting Check:	HP				

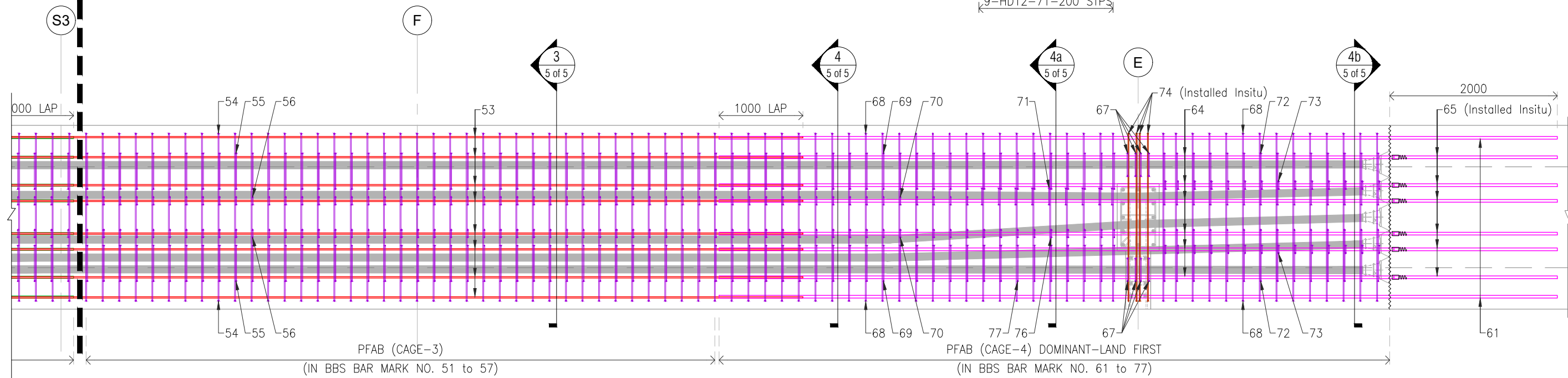
Project:	AIAL TRANSPORT HUB 1
Drawing Title:	LEVEL-2 PT BEAM REINF. DETAILS ON GRID-3 (POUR-4)

Project No.	
Scale:	AS SHOWN original sheet size A3
Drawing No.	ST-64
Rev.	1
	2 of 5

MACHINELINE - A REFER SHEET (2 of 5)



L2P04-along Gridline 3  
PT BEAM (550Dx1200W Tapered) ELEVATION REINF. LAYOUT  
SCALE-1:50



L2P04-along Gridline 3  
PT BEAM (550Dx1200W Tapered) PLAN REINF. LAYOUT  
SCALE-1:50

Rev.	Date	Revision Details	By	Ver.	App.
1	23/05/23	REVISED AS PER COMMENTS	-	-	-
0	12/05/23	ISSUED FOR APPROVAL	-	-	-

**LEGEND**  
T1/T2- TOP BARS  
B1- BOTTOM BARS  
STPS- STIRRUPS

Nos. OF BARS  
Dia. OF BARS  
BAR MARK  
SPACING OF BAR  
POSITION OF BAR

00-HDXX-00-000/000-XXX

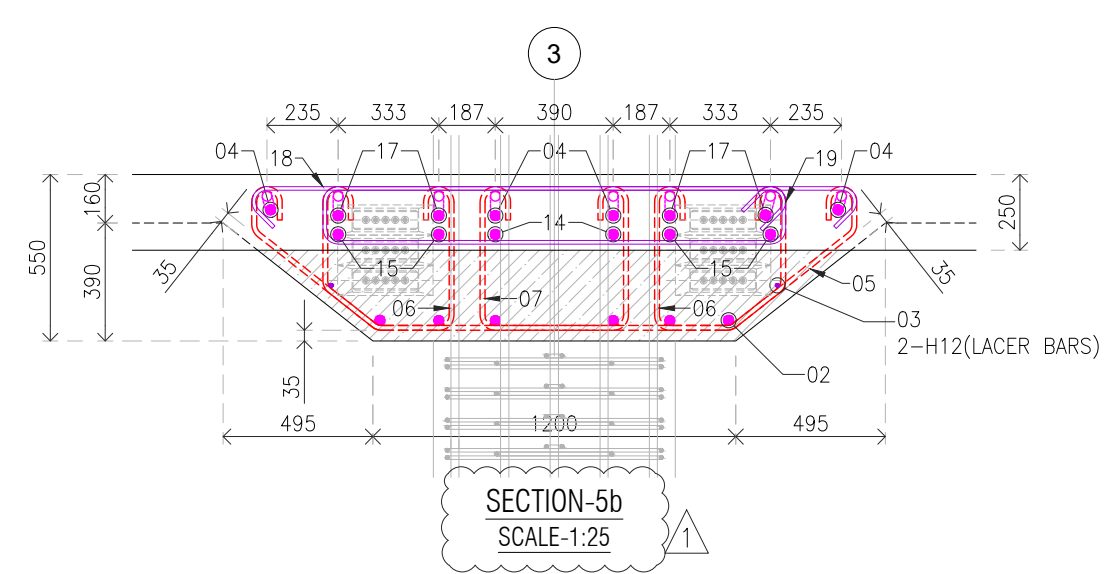
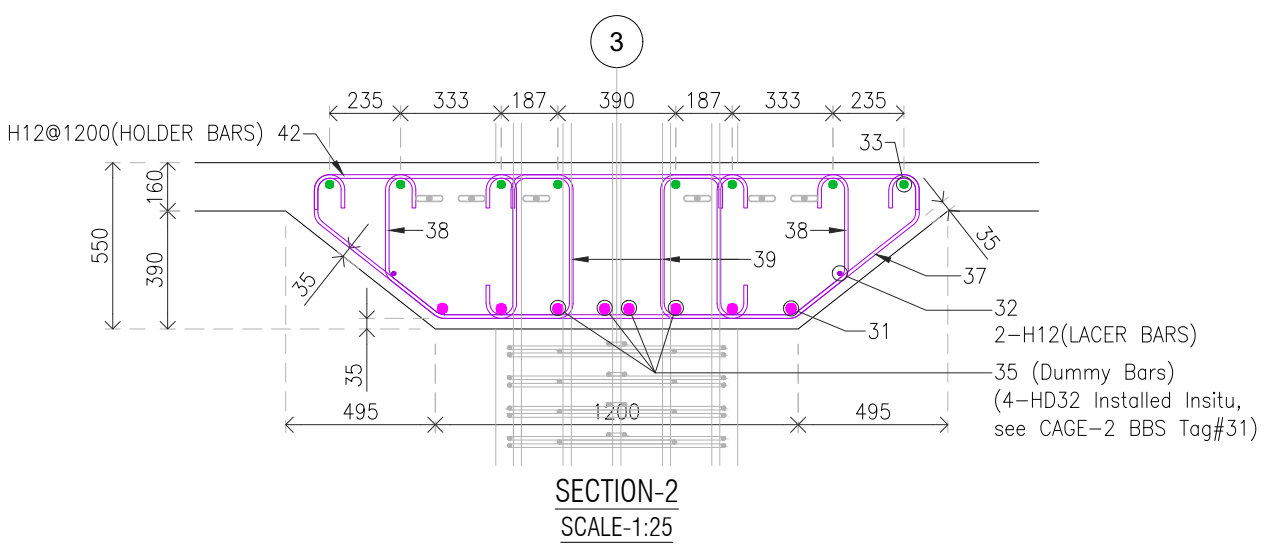
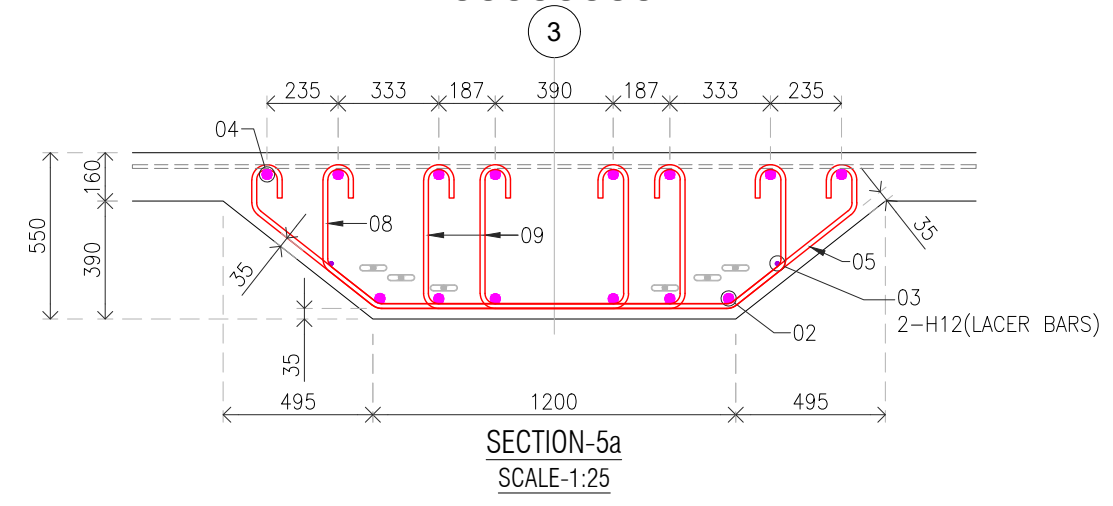
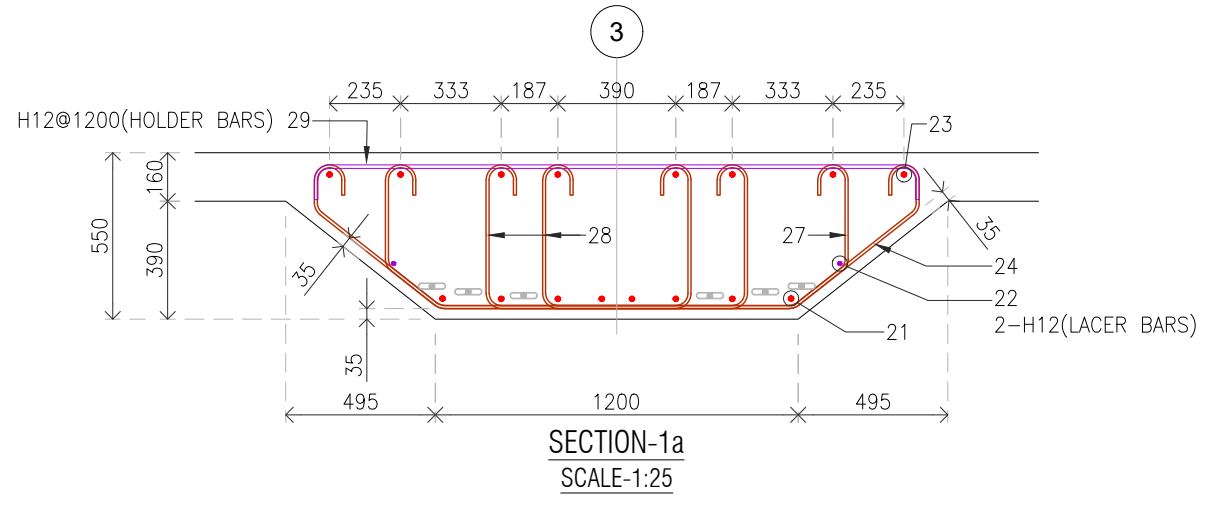
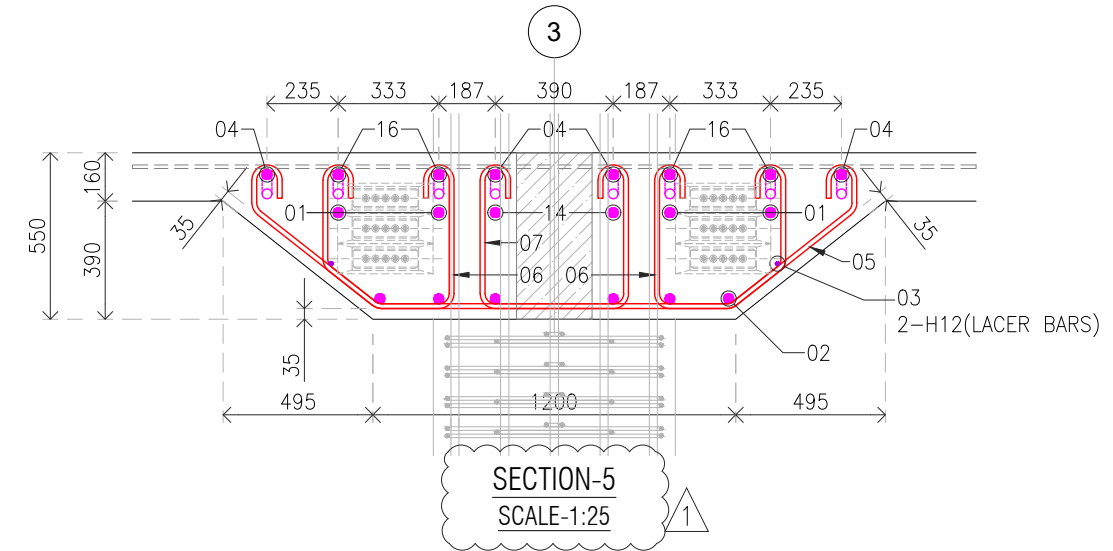
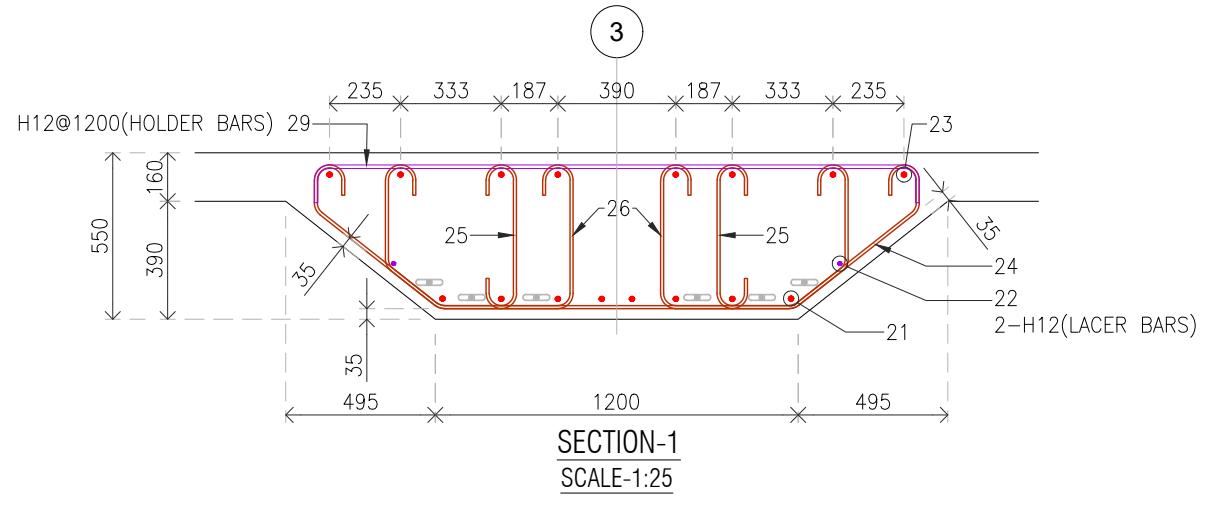


Project Director:	Initials:	Date:
Designed:		
Design Review:		
Drawn:	NG	
Drafting Check:	HP	

Project:  
AIAL TRANSPORT HUB 1

Drawing Title:  
LEVEL-2 PT BEAM REINF. DETAILS ON  
GRID-3 (POUR-4)

Project No.	Scale:
	AS SHOWN original sheet size A3
Drawing No.	Rev.
ST-64	1
3 of 5	



Note:

- C LINKS ARE INLIEU OF NORMAL LINKS DUE TO CLASH WITH DUCTS AND COLUMN VERTICALS.
- RE-ARRANGEMENT OF DUCTS TO AVOID CLASH WITH COLUMN VERTICALS.
- BOTTOM BARS RUNNING THRU COLUMNS TO BE INSTALLED INSITU, REPLACED WITH 12MM DUMMY BARS TERMINATING EACH SIDE OF THE COLUMN.

Rev.	Date	Revision Details	By	Ver.	App.
1	23/05/23	REVISED AS PER COMMENTS	-	-	-
0	12/05/23	ISSUED FOR APPROVAL	-	-	-

**LEGEND**

T1/T2- TOP BARS  
B1- BOTTOM BARS  
STPS- STIRRUPS

Nos. OF BARS  
Dia. OF BARS  
BAR MARK  
SPACING OF BAR  
POSITION OF BAR

00-HDXX-00-000/000-XXX



Project Director:	Initials:	Date:
Designed:		
Design Review:		
Drawn:	NG	
Drafting Check:	HP	

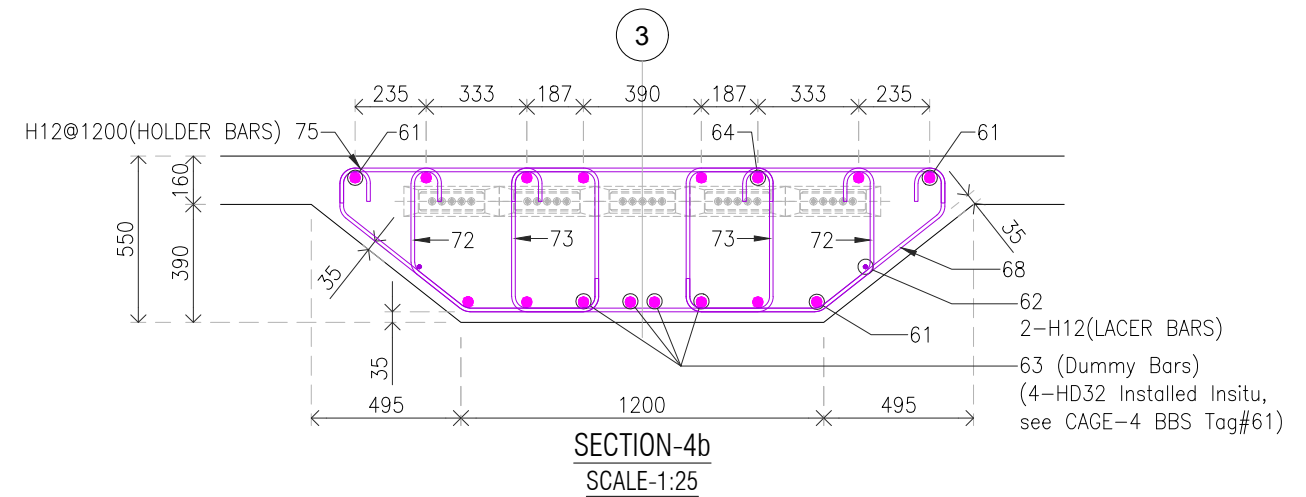
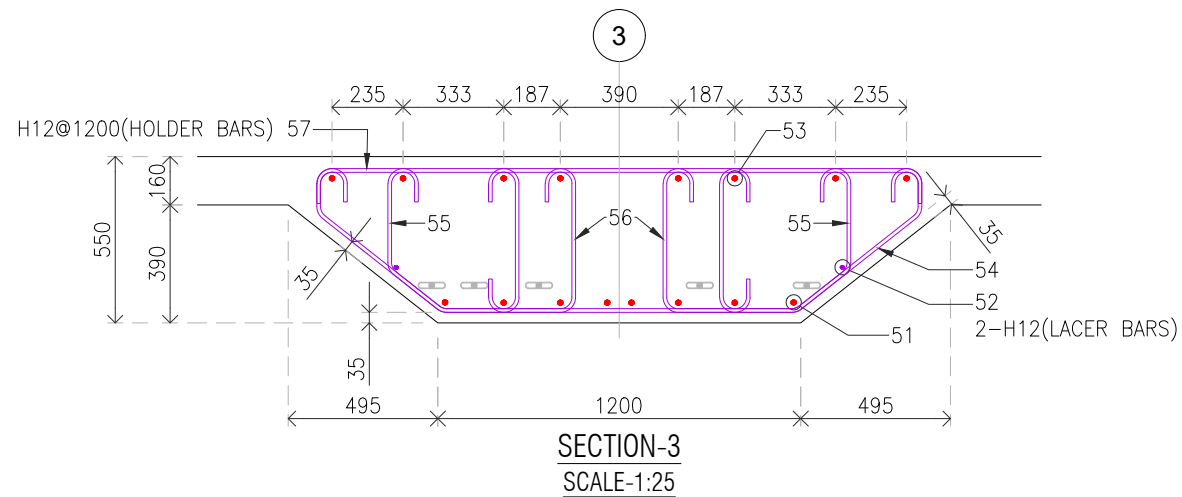
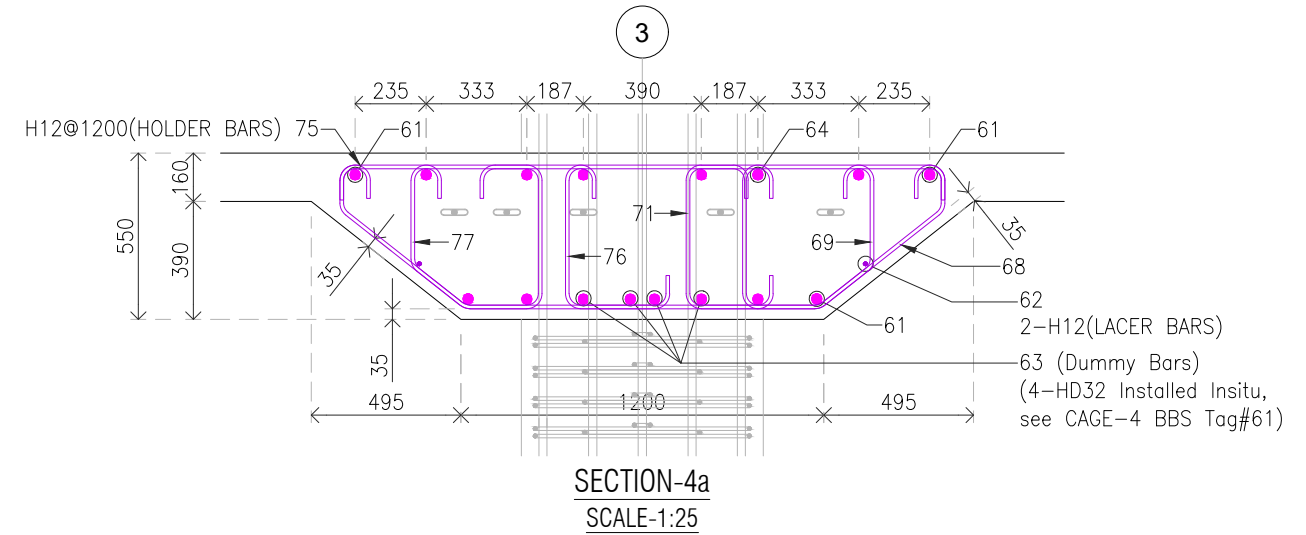
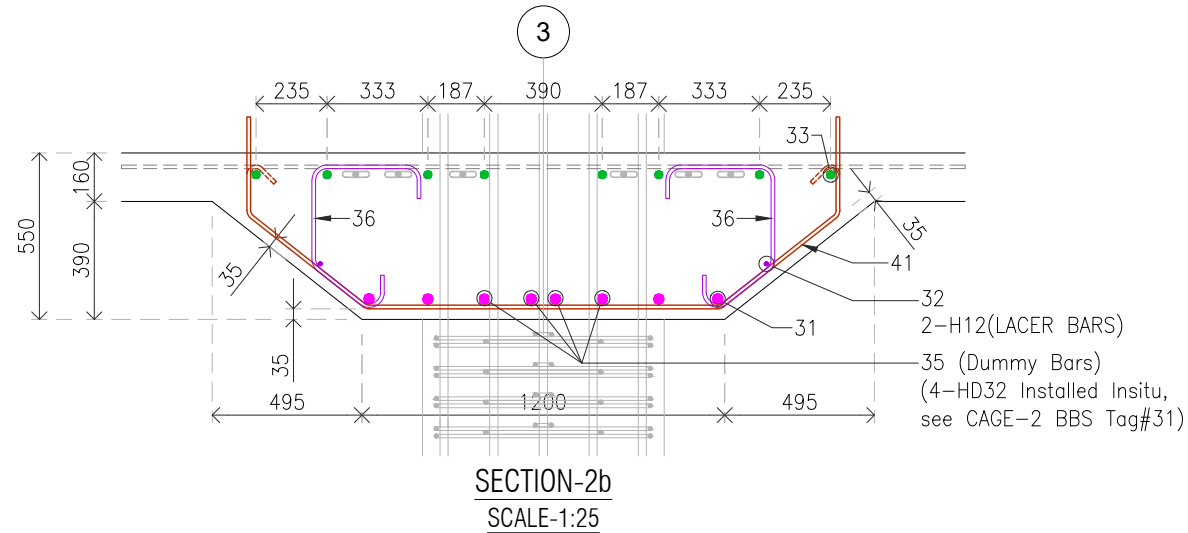
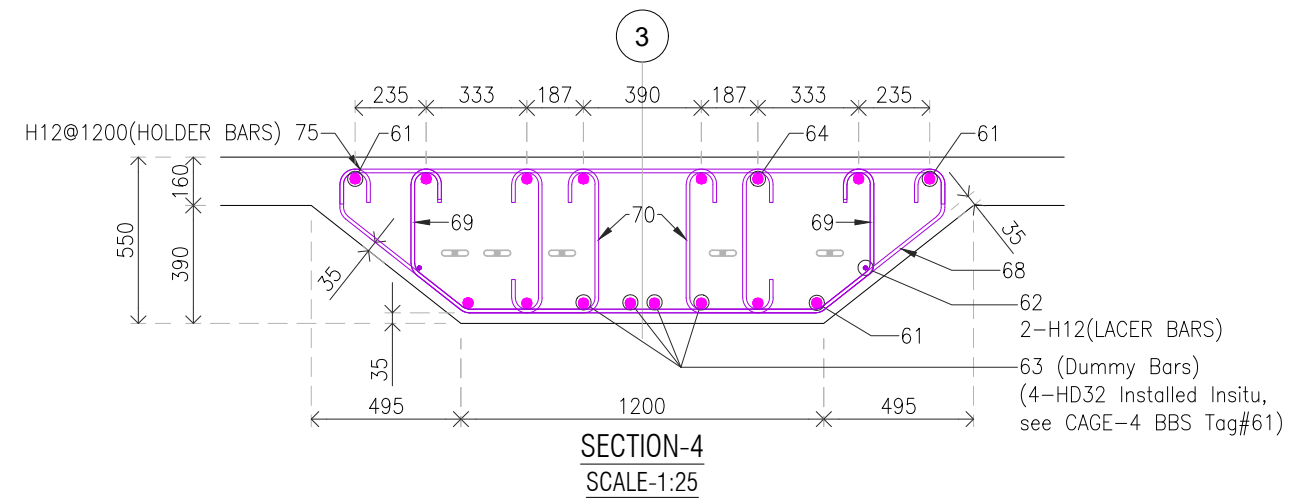
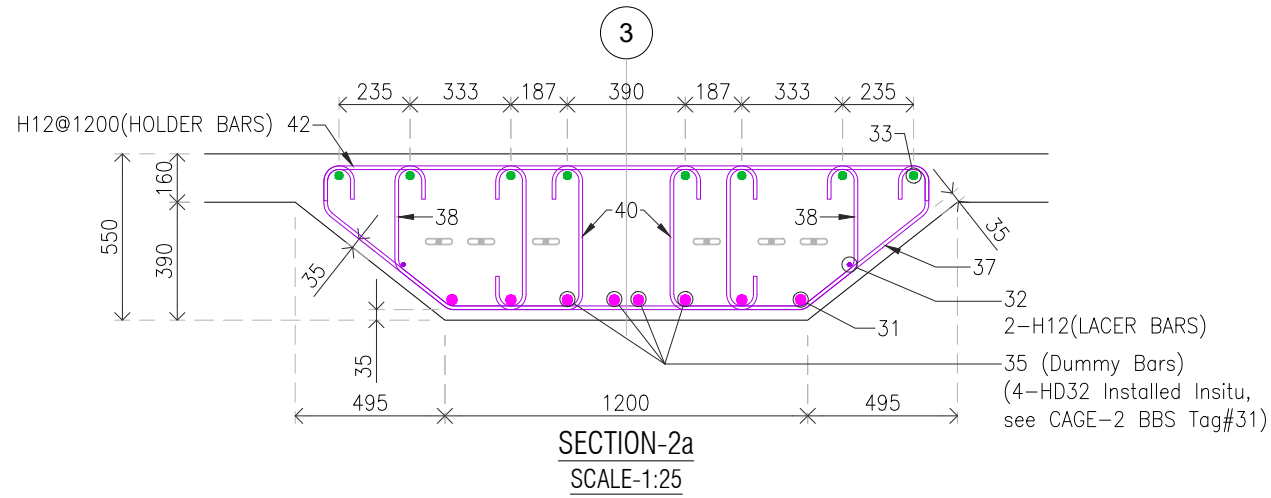
Project:  
AIAL TRANSPORT HUB 1

Drawing Title:  
LEVEL-2 PT BEAM REINF. DETAILS ON GRID-3 (POUR-4)

Project No.

Scale:  
AS SHOWN  
original sheet size A3

Drawing No. ST-64  
Rev. 1  
4 of 5



Note:  
 1. C LINKS ARE IN LIEU OF NORMAL LINKS DUE TO CLASH WITH DUCTS AND COLUMN VERTICALS.  
 2. RE-ARRANGEMENT OF DUCTS TO AVOID CLASH WITH COLUMN VERTICALS.  
 3. BOTTOM BARS RUNNING THRU COLUMNS TO BE INSTALLED INSITU, REPLACED WITH 12MM DUMMY BARS TERMINATING EACH SIDE OF THE COLUMN.

Rev.	Date	Revision Details	By	Ver.	App.
1	23/05/23	REVISED AS PER COMMENTS	-	-	-
0	12/05/23	ISSUED FOR APPROVAL	-	-	-

LEGEND  
 T1/T2- TOP BARS  
 B1- BOTTOM BARS  
 STPS- STIRRUPS

Nos. OF BARS  
 Dia. OF BARS  
 BAR MARK  
 SPACING OF BAR  
 POSITION OF BAR

00-HDXX-00-000/000-XXX

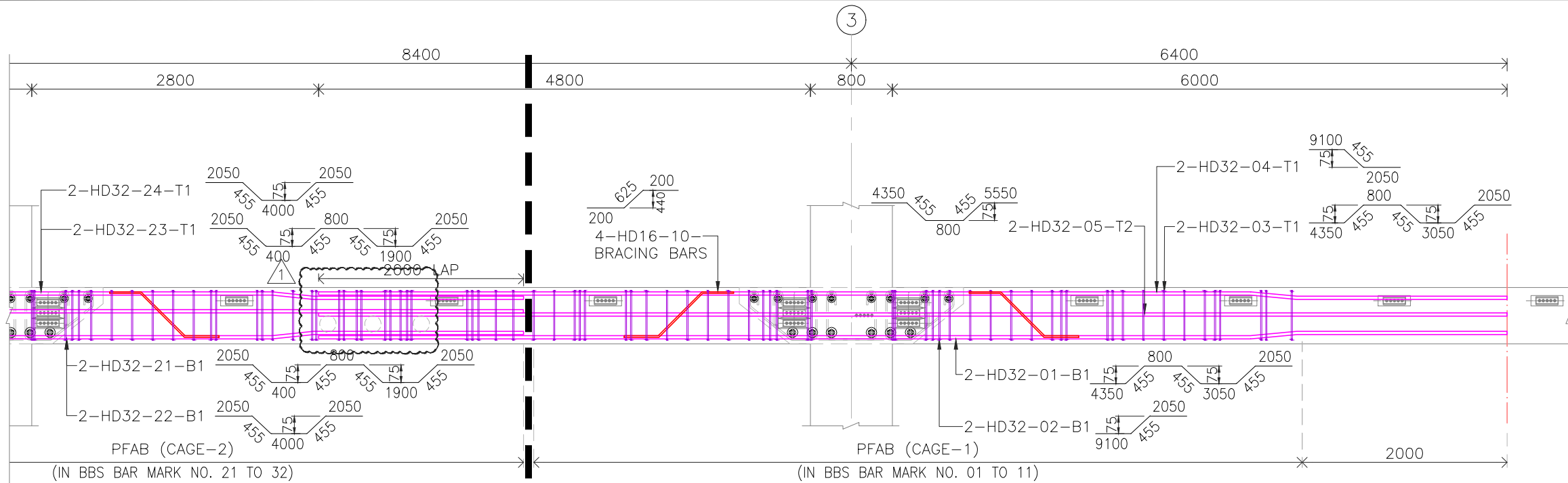


Project Director:	Initials:	Date:
Designed:		
Design Review:		
Drawn:	NG	
Drafting Check:	HP	

Project:	AIAL TRANSPORT HUB 1
Drawing Title:	LEVEL-2 PT BEAM REINF. DETAILS ON GRID-3 (POUR-4)

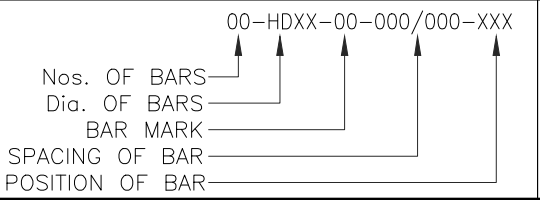
Project No.	
Scale:	AS SHOWN original sheet size A3
Drawing No.	ST-64
Rev.	1
5 of 5	

MACHINE - A REFER SHEET (2 of 2)



**LEGEND**

T1/T2- TOP BARS  
 B1- BOTTOM BARS  
 STPS- STIRRUPS



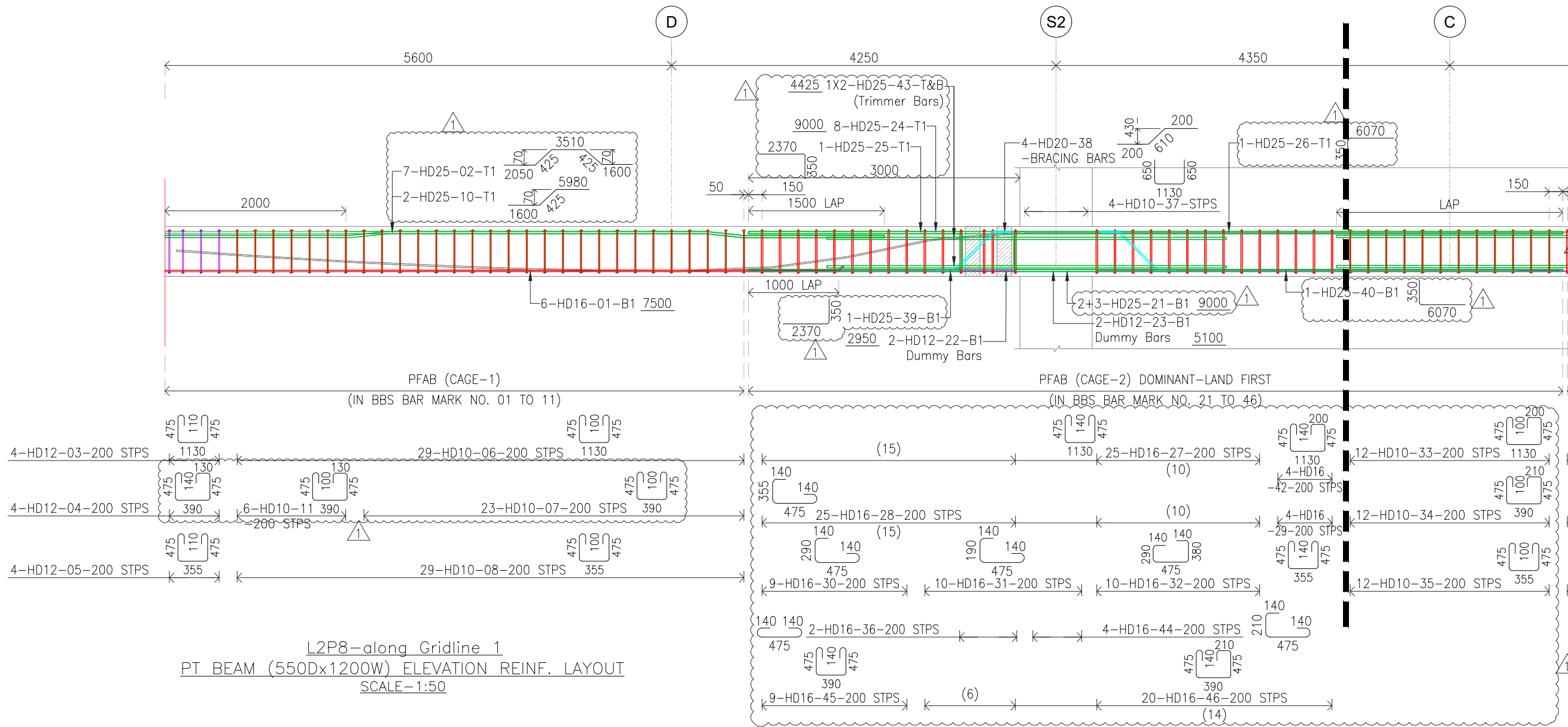
Project Director:	Initials:	Date:
Designed:		
Design Review:		
Drawn:	AT	
Drafting Check:	JT	

Project:	AIAL TRANSPORT HUB 1
Drawing Title:	LEVEL-2 PT BEAM REINF. DETAILS ON GRID-J (POUR-04)

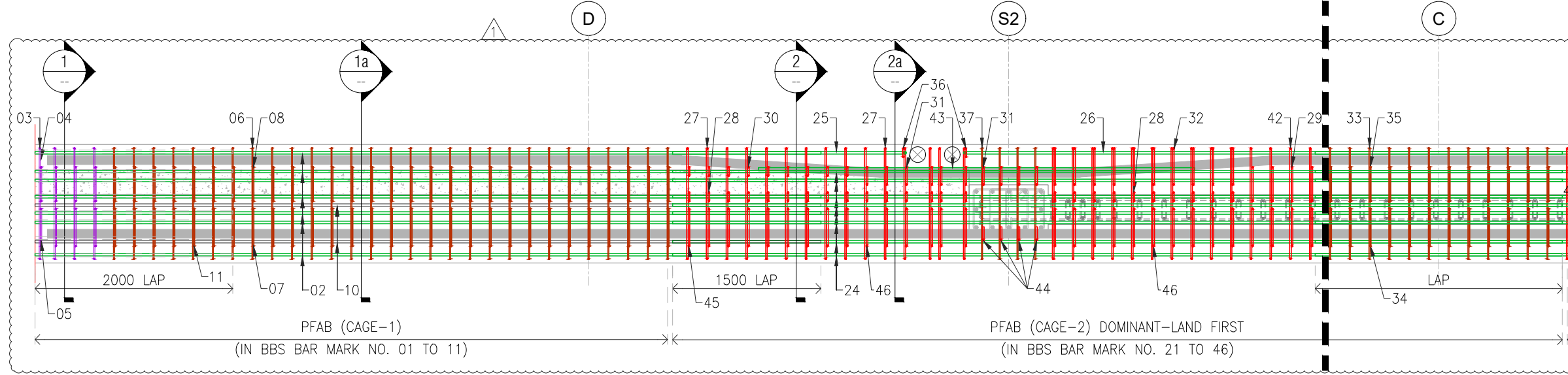
Project No.	
Scale:	AS SHOWN original sheet size A3
Drawing No.	ST-65
Rev.	1
1 of 2	







L2P8-along Gridline 1  
PT BEAM (550Dx1200W) ELEVATION REINF. LAYOUT  
SCALE-1:50



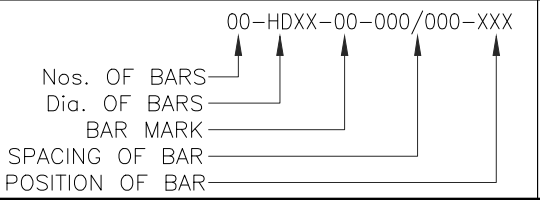
L2P8-along Gridline 1  
PT BEAM (550Dx1200W) PLAN REINF. LAYOUT  
SCALE-1:50

MACHINELINE - A REFER SHEET (2 of 4)

Rev.	Date	Revision Details	By	Ver.	App.
1	26/05/23	REVISED AS PER COMMENTS	-	-	-
0	20/05/23	ISSUED FOR APPROVAL	-	-	-

**LEGEND**

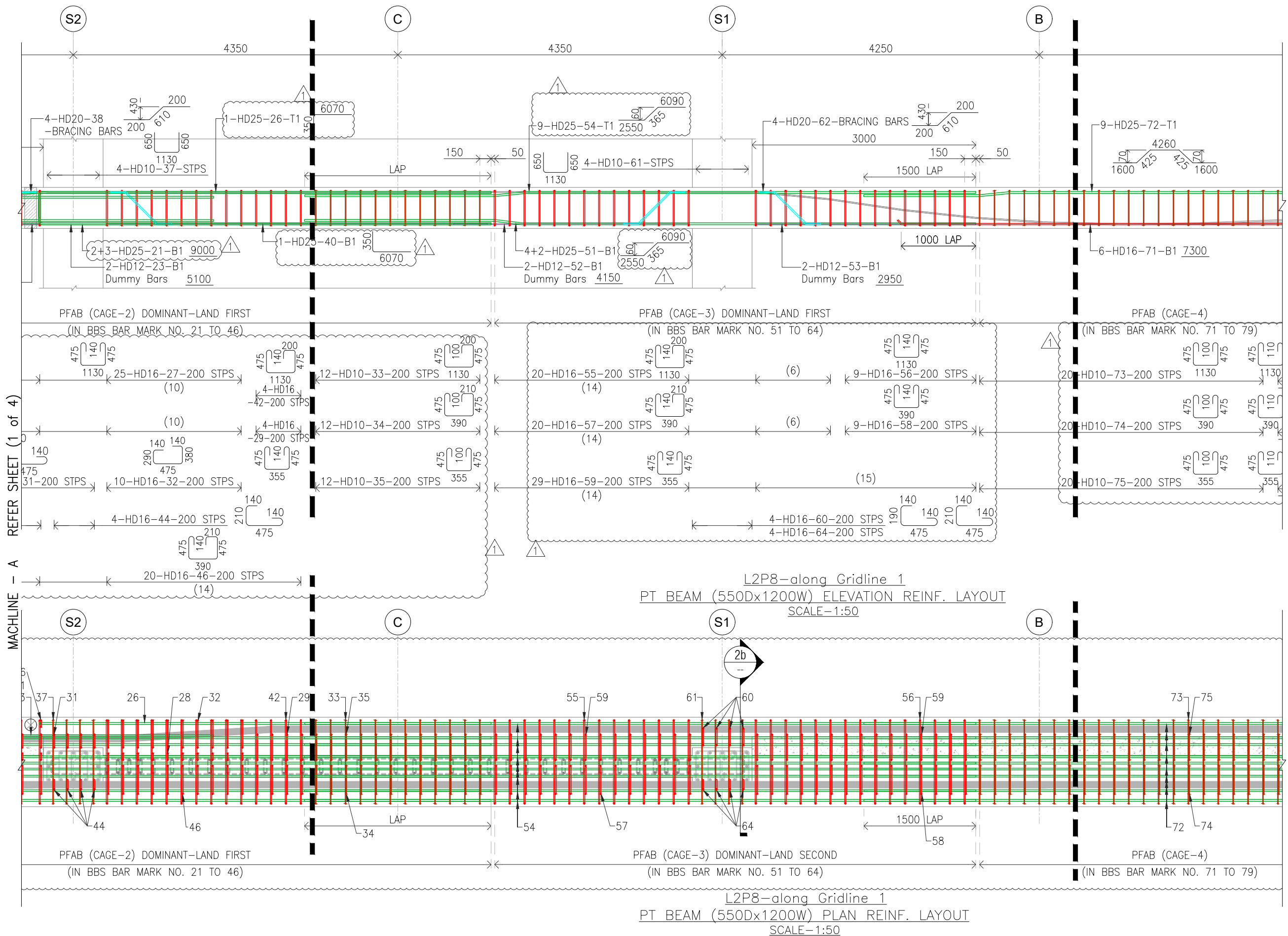
T1/T2-	TOP BARS
B1-	BOTTOM BARS
STPS-	STIRRUPS



Project Director:	-	Initials:		Date:	
Designed:	-				
Design Review:	-				
Drawn:	VR				
Drafting Check:	HT				

Project:	AIAL TRANSPORT HUB 1
Drawing Title:	LEVEL-2 PT BEAM REINF. DETAILS ON GRID-1 (POUR-8)

Project No.	
Scale:	AS SHOWN original sheet size A3
Drawing No.	ST-66
Rev.	1
1 of 4	



REFER SHEET (1 of 4)

REFER SHEET (3 of 4)

MACHINE - A

MACHINE - B

L2P8-along Gridline 1  
PT BEAM (550Dx1200W) ELEVATION REINF. LAYOUT  
SCALE-1:50

L2P8-along Gridline 1  
PT BEAM (550Dx1200W) PLAN REINF. LAYOUT  
SCALE-1:50

Rev.	Date	Revision Details	By	Ver.	App.
1	26/05/23	REVISED AS PER COMMENTS	-	-	-
0	20/05/23	ISSUED FOR APPROVAL	-	-	-

**LEGEND**  
 T1/T2- TOP BARS  
 B1- BOTTOM BARS  
 STPS- STIRRUPS

Nos. OF BARS  
 Dia. OF BARS  
 BAR MARK  
 SPACING OF BAR  
 POSITION OF BAR

00-HDXX-00-000/000-XXX

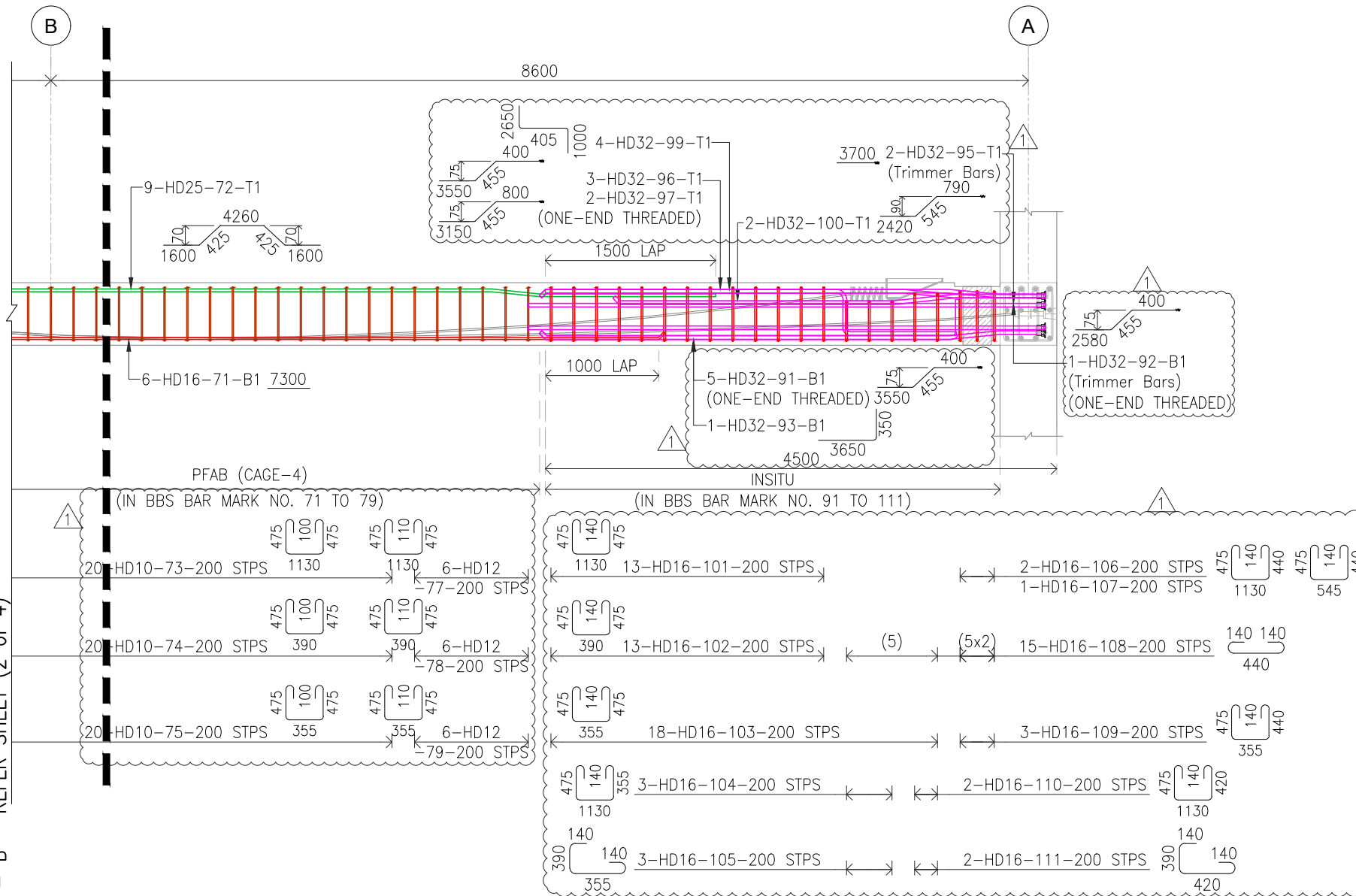


Project Director:	-	Initials:		Date:	
Designed:	-				
Design Review:	-				
Drawn:	VR				
Drafting Check:	HT				

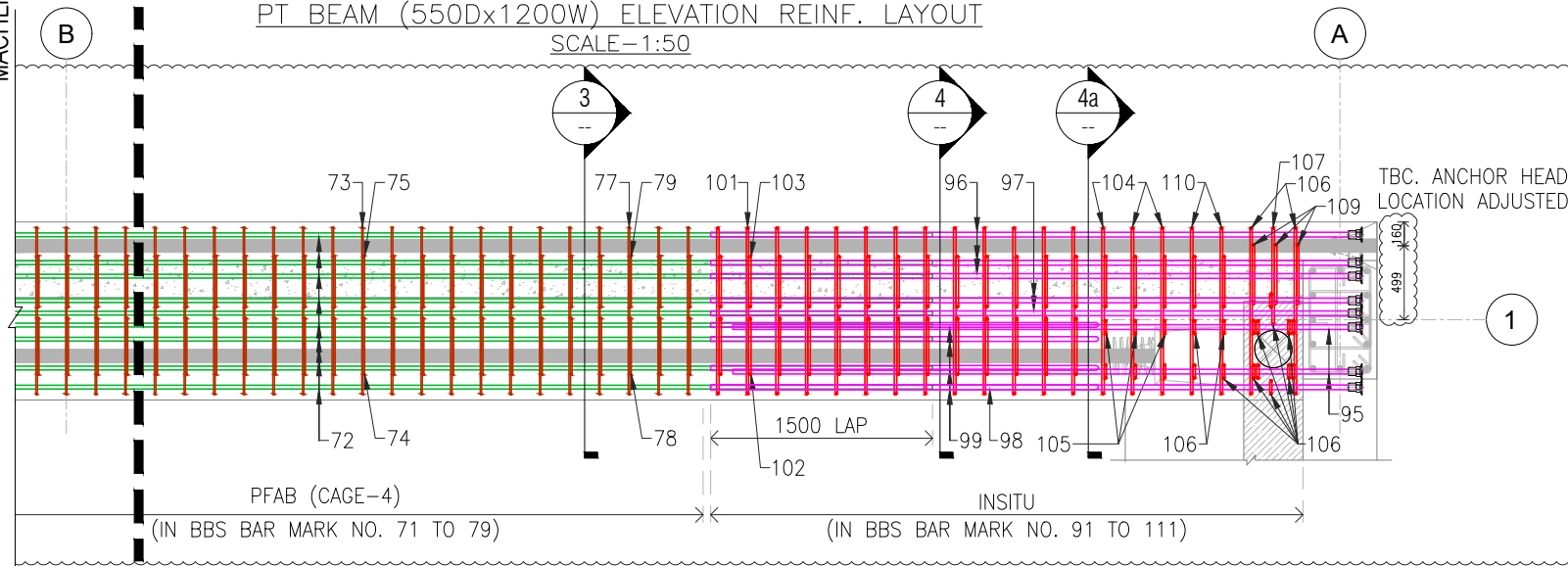
Project:	AIAL TRANSPORT HUB 1
Drawing Title:	LEVEL-2 PT BEAM REINF. DETAILS ON GRID-1 (POUR-8)

Project No.	
Scale:	AS SHOWN original sheet size A3
Drawing No.	ST-66
Rev.	1
2 of 4	

MACHINE - B REFER SHEET (2 of 4)



L2P8-along Gridline 1  
PT BEAM (550Dx1200W) ELEVATION REINF. LAYOUT  
SCALE-1:50



L2P8-along Gridline 1  
PT BEAM (550Dx1200W) PLAN REINF. LAYOUT  
SCALE-1:50

Rev.	Date	Revision Details	By	Ver.	App.
1	26/05/23	REVISED AS PER COMMENTS	-	-	-
0	20/05/23	ISSUED FOR APPROVAL	-	-	-

**LEGEND**

T1/T2- TOP BARS  
B1- BOTTOM BARS  
STPS- STIRRUPS

Nos. OF BARS  
Dia. OF BARS  
BAR MARK  
SPACING OF BAR  
POSITION OF BAR

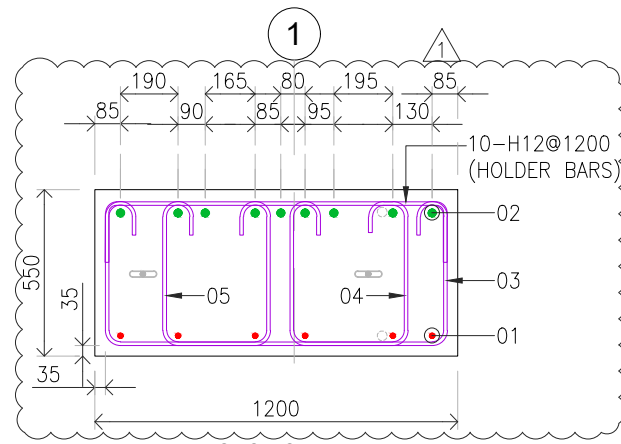
00-HDXX-00-000/000-XXX



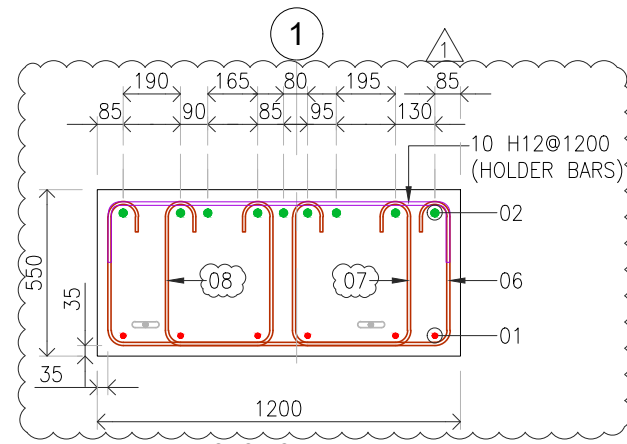
Project Director:	-	Initials:		Date:	
Designed:	-				
Design Review:	-				
Drawn:	VR				
Drafting Check:	HT				

Project:	AIAL TRANSPORT HUB 1
Drawing Title:	LEVEL-2 PT BEAM REINF. DETAILS ON GRID-1 (POUR-8)

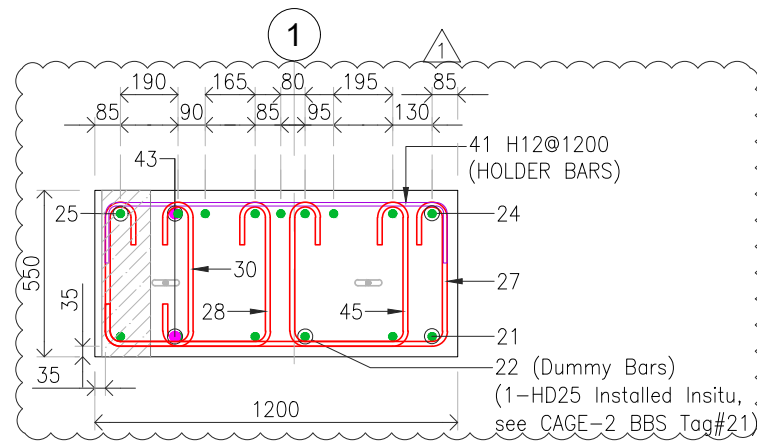
Project No.	
Scale:	AS SHOWN original sheet size A3
Drawing No.	ST-66
Rev.	1
3 of 4	



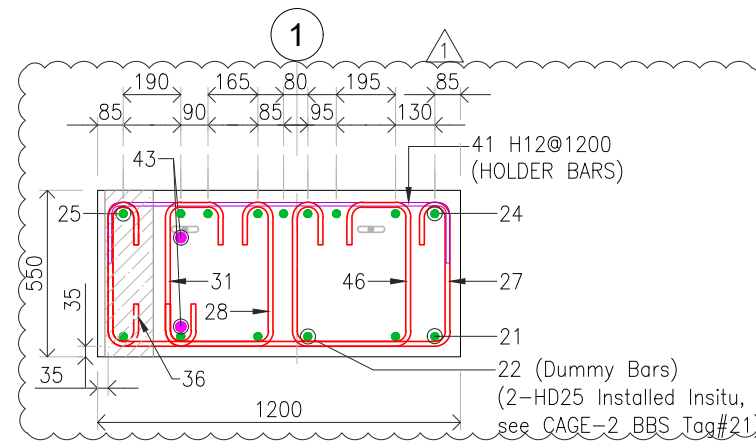
SECTION-1  
SCALE-1:25



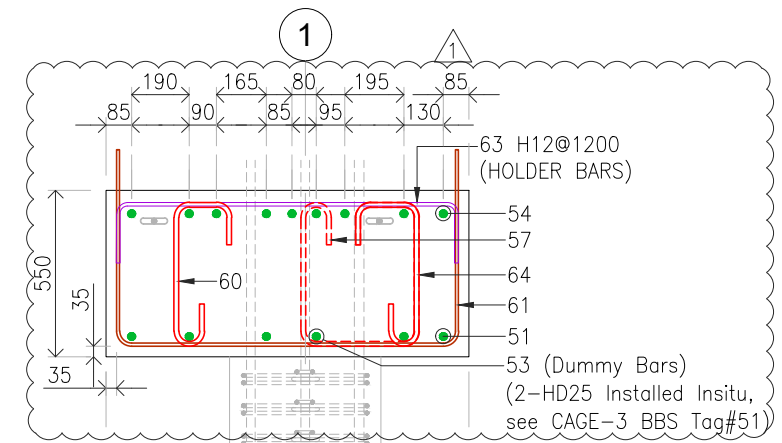
SECTION-1a  
SCALE-1:25



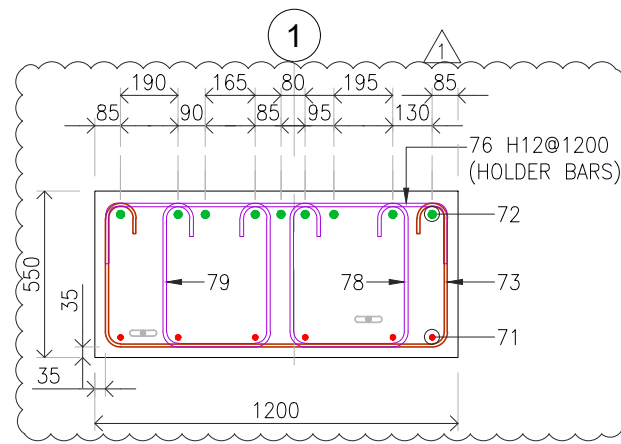
SECTION-2  
SCALE-1:25



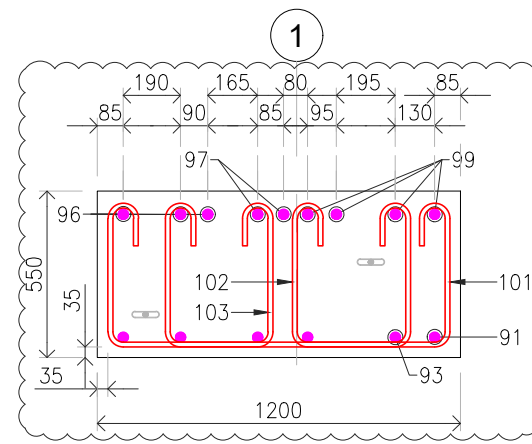
SECTION-2a  
SCALE-1:25



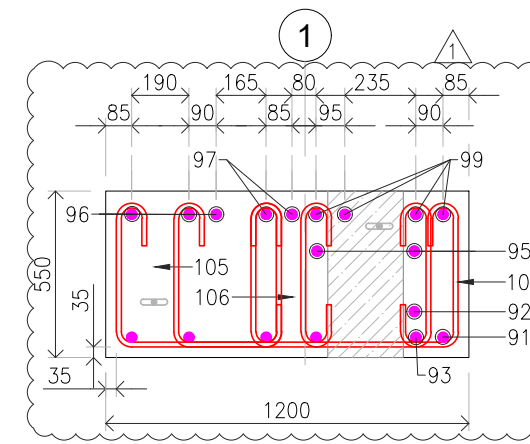
SECTION-2b  
SCALE-1:25



SECTION-3  
SCALE-1:25



SECTION-4  
SCALE-1:25



SECTION-4a  
SCALE-1:25

Rev.	Date	Revision Details	By	Ver.	App.
1	26/05/23	REVISED AS PER COMMENTS	-	-	-
0	20/05/23	ISSUED FOR APPROVAL	-	-	-

LEGEND	
T1/T2-	TOP BARS
B1-	BOTTOM BARS
STPS-	STIRRUPS

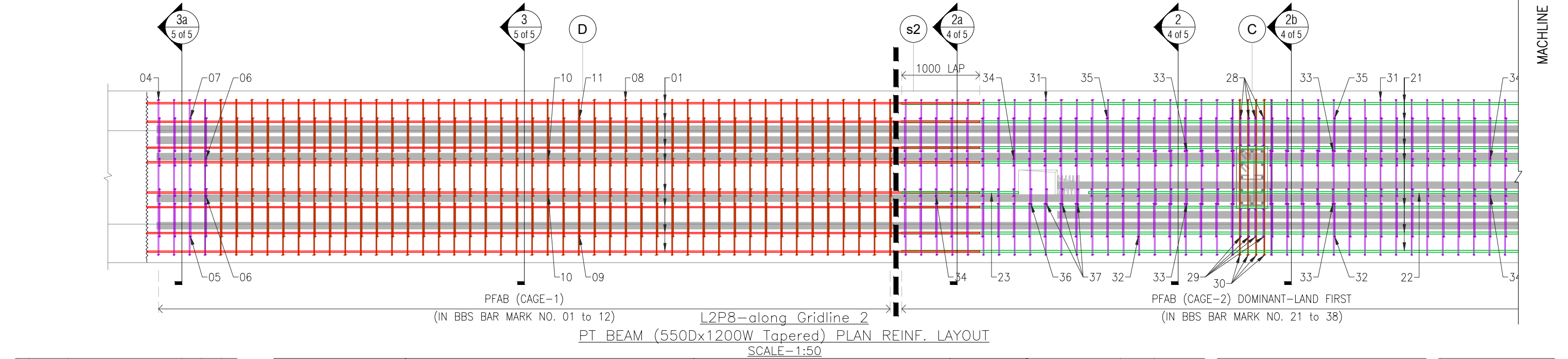
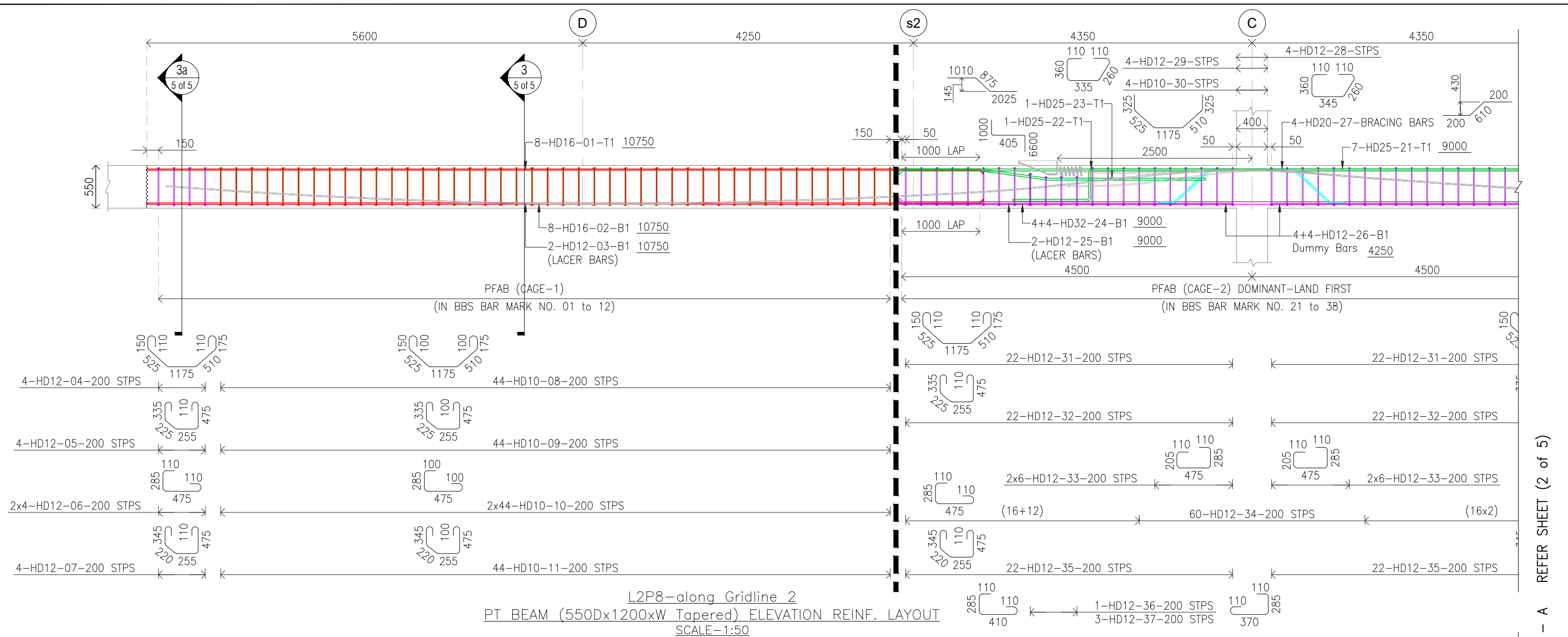
00-HDXX-00-000/000-XXX	
Nos. OF BARS	↑
Dia. OF BARS	↑
BAR MARK	↑
SPACING OF BAR	↑
POSITION OF BAR	↑



Project Director:	-	Initials:		Date:	
Designed:	-				
Design Review:	-				
Drawn:	VR				
Drafting Check:	HT				

Project:	AIAL TRANSPORT HUB 1
Drawing Title:	LEVEL-2 PT BEAM REINF. DETAILS ON GRID-1 (POUR-8)

Project No.	
Scale:	AS SHOWN original sheet size A3
Drawing No.	ST-66
Rev.	1
4 of 4	



Rev.	Date	Revision Details	By	Ver.	App.
0	18/05/23	ISSUED FOR APPROVAL	-	-	-

**LEGEND**

T1/T2- TOP BARS  
 B1- BOTTOM BARS  
 STPS- STIRRUPS

Nos. OF BARS  
 Dia. OF BARS  
 BAR MARK  
 SPACING OF BAR  
 POSITION OF BAR

00-HDXX-00-000/000-XXX



Project Director:	-	Initials:	-	Date:	-
Designed:	-				
Design Review:	-				
Drawn:	NG				
Drafting Check:	HP				

Project:  
 AIAL TRANSPORT HUB 1

Drawing Title:  
 LEVEL-2 PT BEAM REINF. DETAILS ON GRID-2 (POUR-8)

Project No.  
 Scale:  
 AS SHOWN  
 original sheet size A3

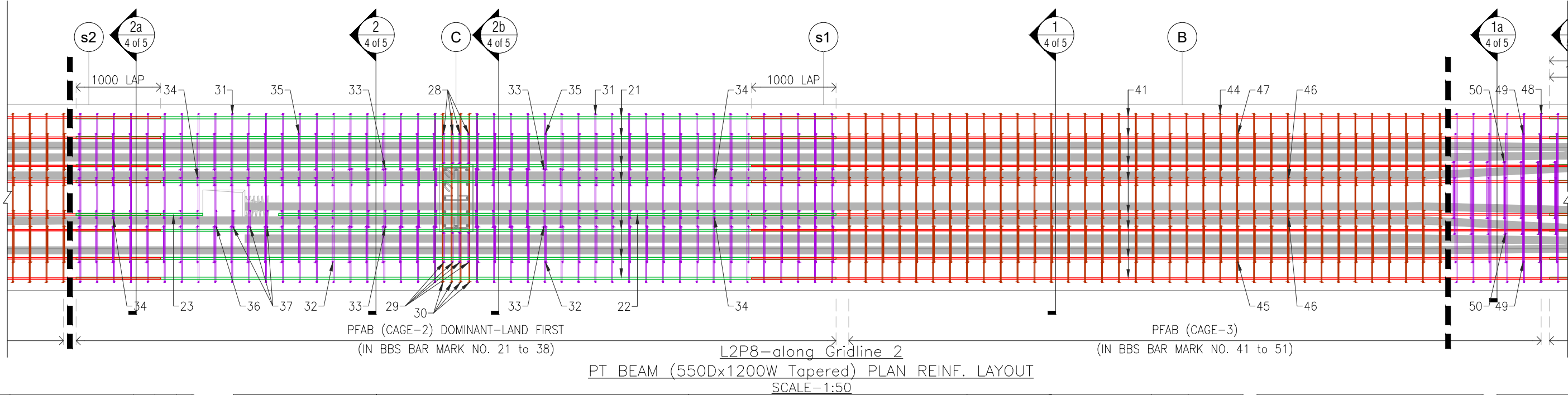
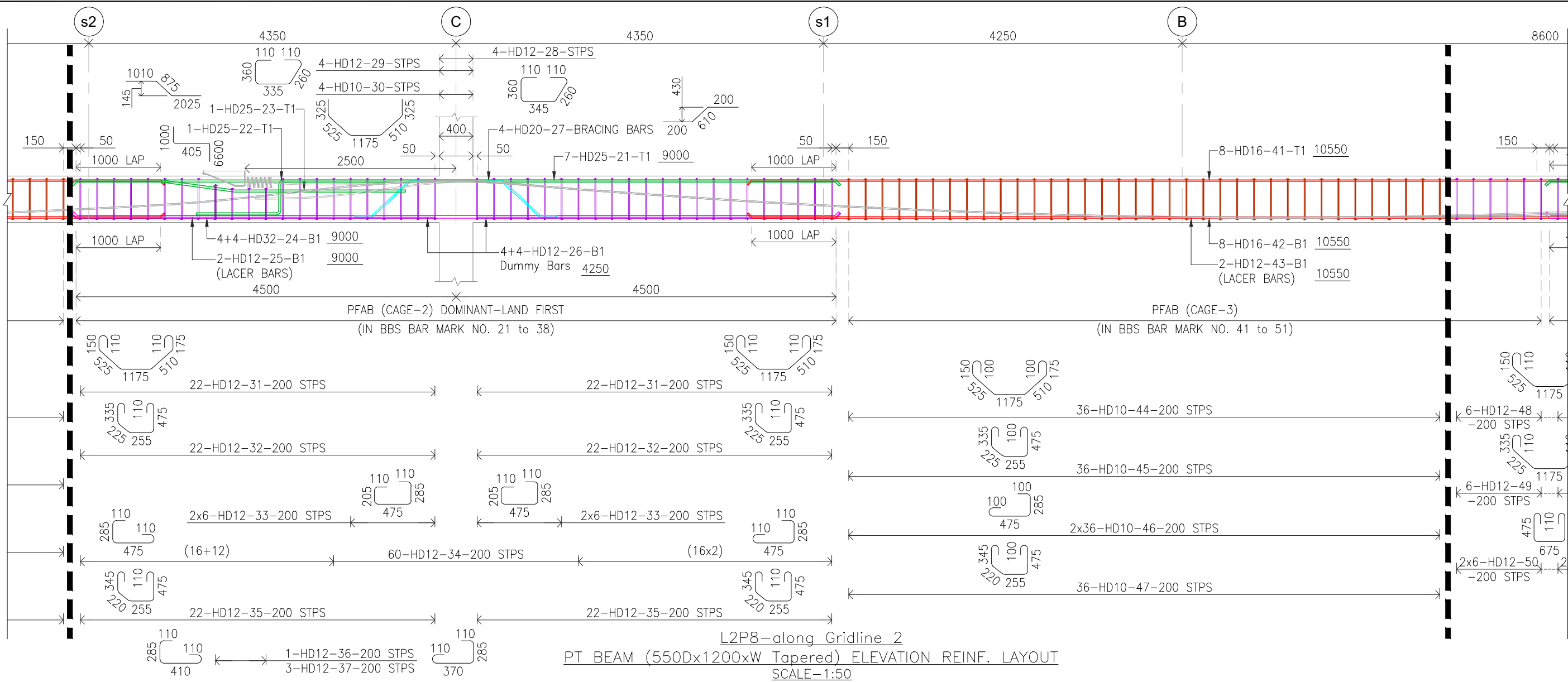
Drawing No.  
 ST-67

Rev.  
 0

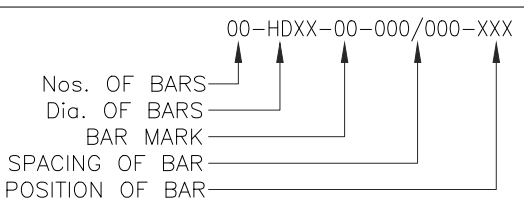
1 of 5

MACHINE - A REFER SHEET (2 of 5)

MACHINE - A REFER SHEET (1 of 5)



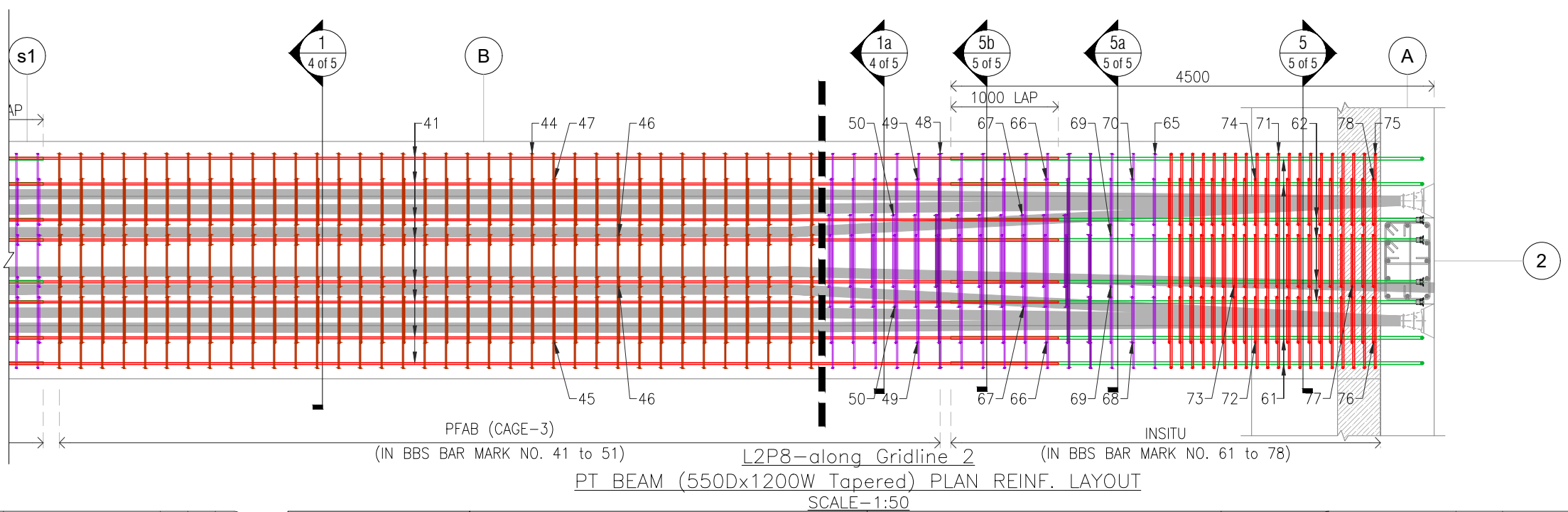
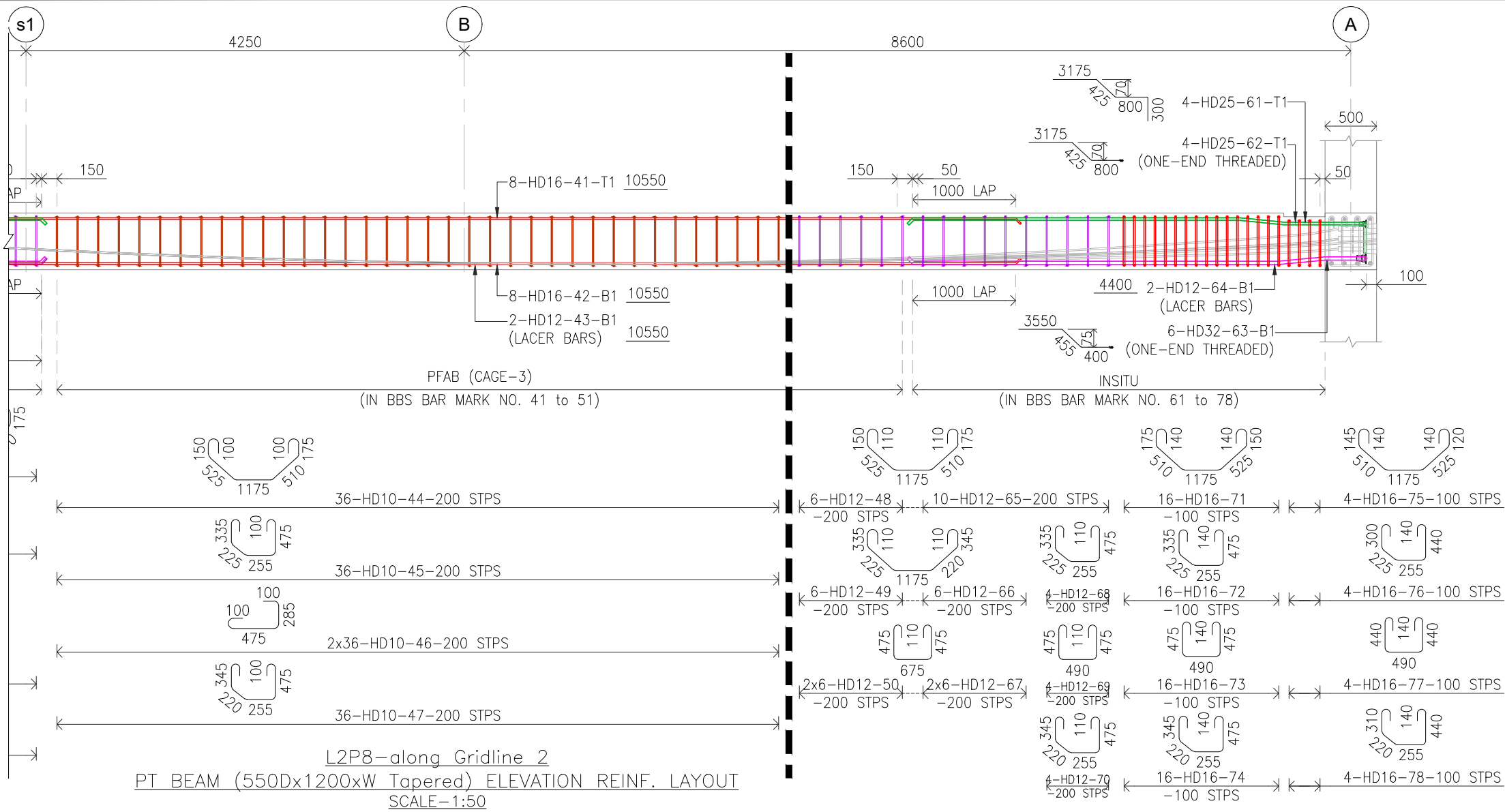
LEGEND	
T1/T2-	TOP BARS
B1-	BOTTOM BARS
STPS-	STIRRUPS



Project Director:	-	Initials:	-	Date:	-
Designed:	-				
Design Review:	-				
Drawn:	NG				
Drafting Check:	HP				

Project:	AIAL TRANSPORT HUB 1
Scale:	AS SHOWN original sheet size A3
Drawing Title:	LEVEL-2 PT BEAM REINF. DETAILS ON GRID-2 (POUR-8)

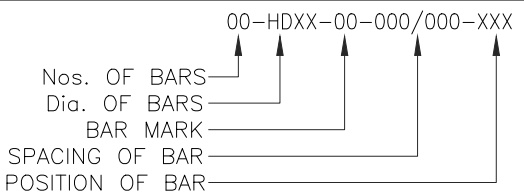
Project No.	
Drawing No.	ST-67
Rev.	0
2 of 5	



Rev.	Date	Revision Details	By	Ver.	App.
0	18/05/23	ISSUED FOR APPROVAL	-	-	-

**LEGEND**

T1/T2- TOP BARS  
B1- BOTTOM BARS  
STPS- STIRRUPS

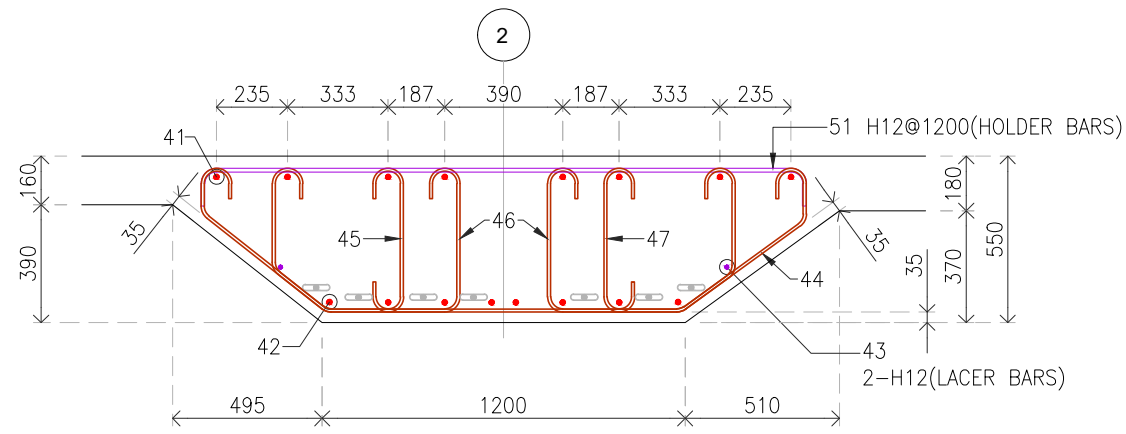


Project Director:	Initials:	Date:
Designed:		
Design Review:		
Drawn:	NG	
Drafting Check:	HP	

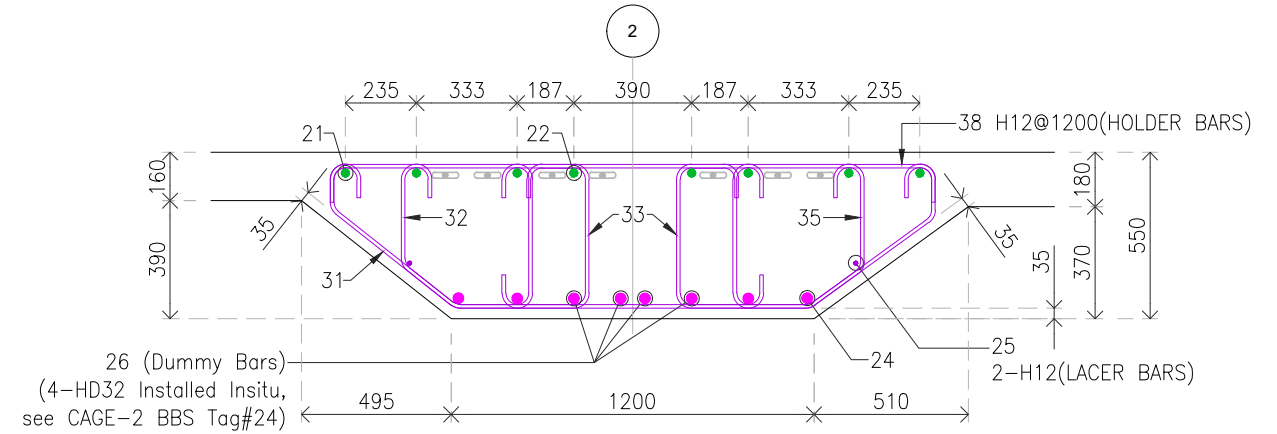
Project:	AIAL TRANSPORT HUB 1
Drawing Title:	LEVEL-2 PT BEAM REINF. DETAILS ON GRID-2 (POUR-8)

Project No.	
Scale:	AS SHOWN original sheet size A3
Drawing No.	ST-67
Rev.	0

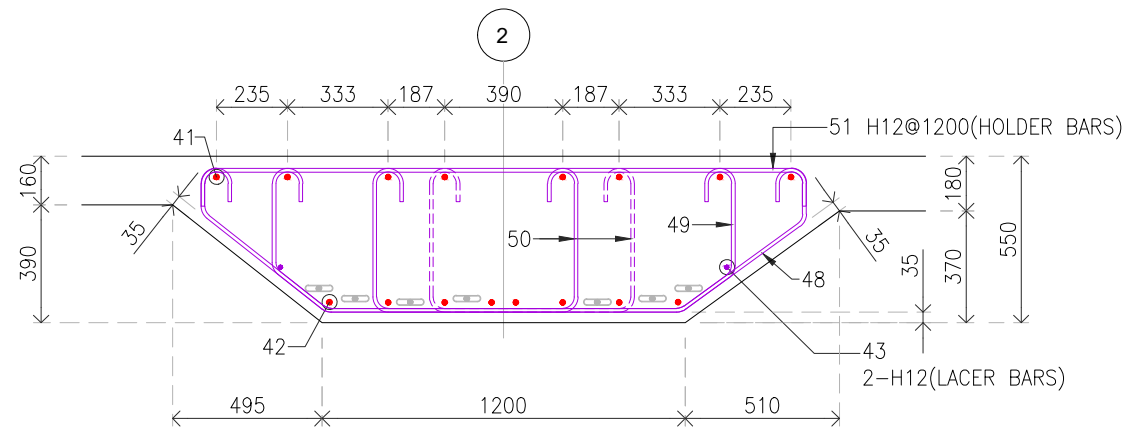




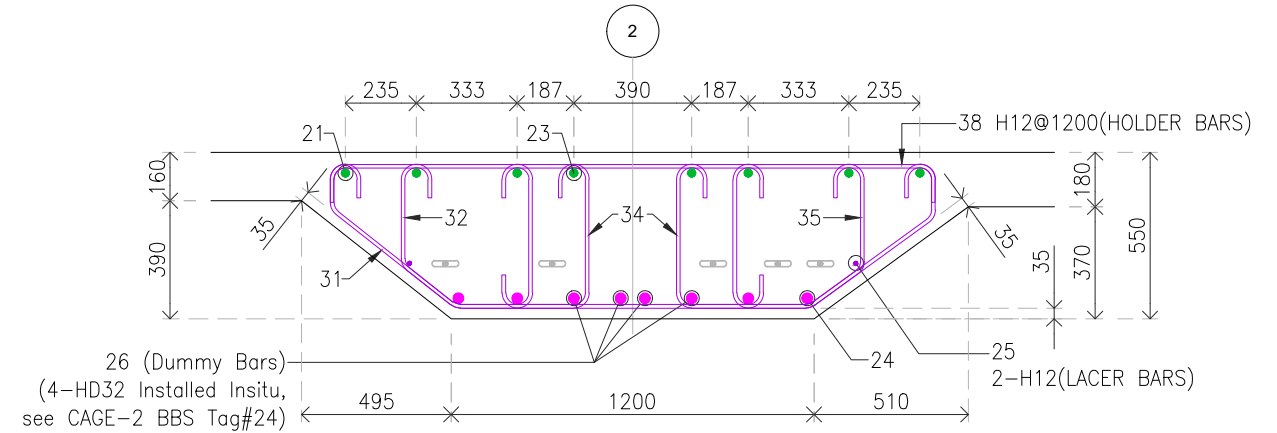
SECTION-1  
SCALE-1:25



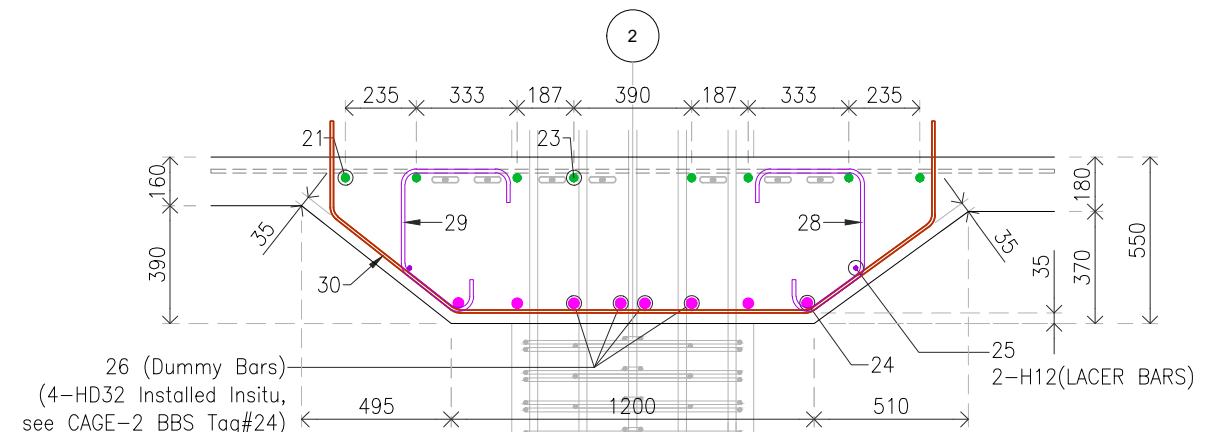
SECTION-2  
SCALE-1:25



SECTION-1a  
SCALE-1:25



SECTION-2a  
SCALE-1:25



SECTION-2b  
SCALE-1:25

Rev.	Date	Revision Details	By	Ver.	App.
0	18/05/23	ISSUED FOR APPROVAL	-	-	-

**LEGEND**  
 T1/T2- TOP BARS  
 B1- BOTTOM BARS  
 STPS- STIRRUPS

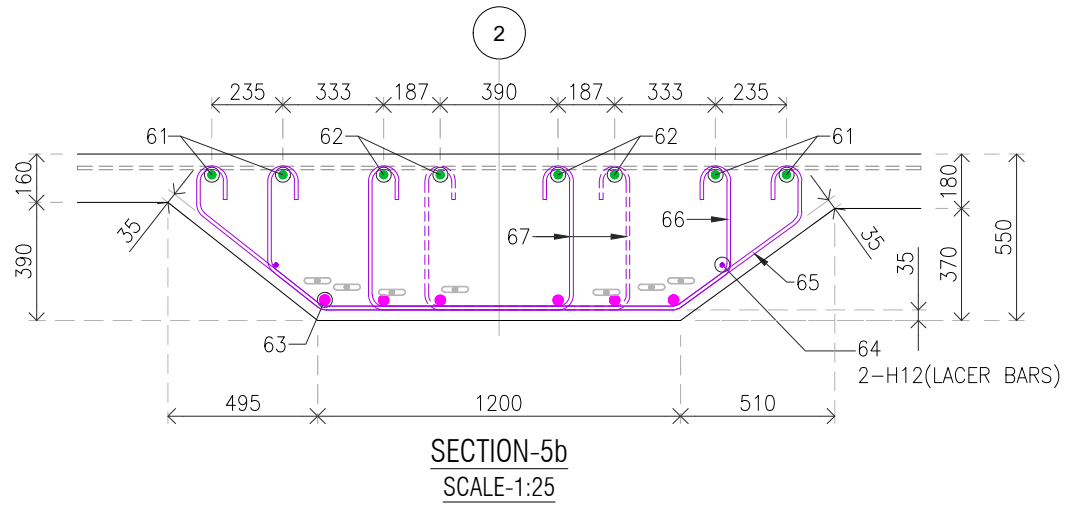
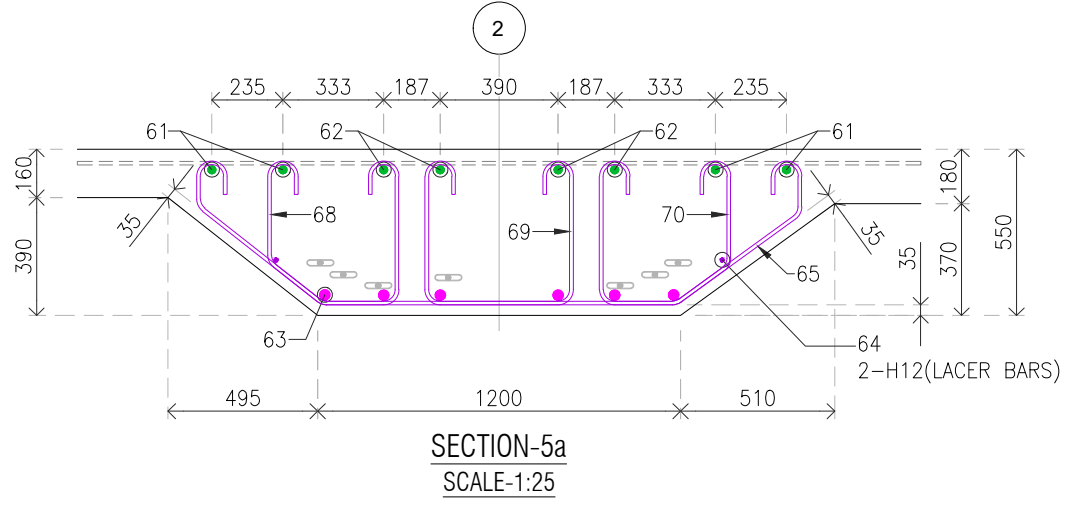
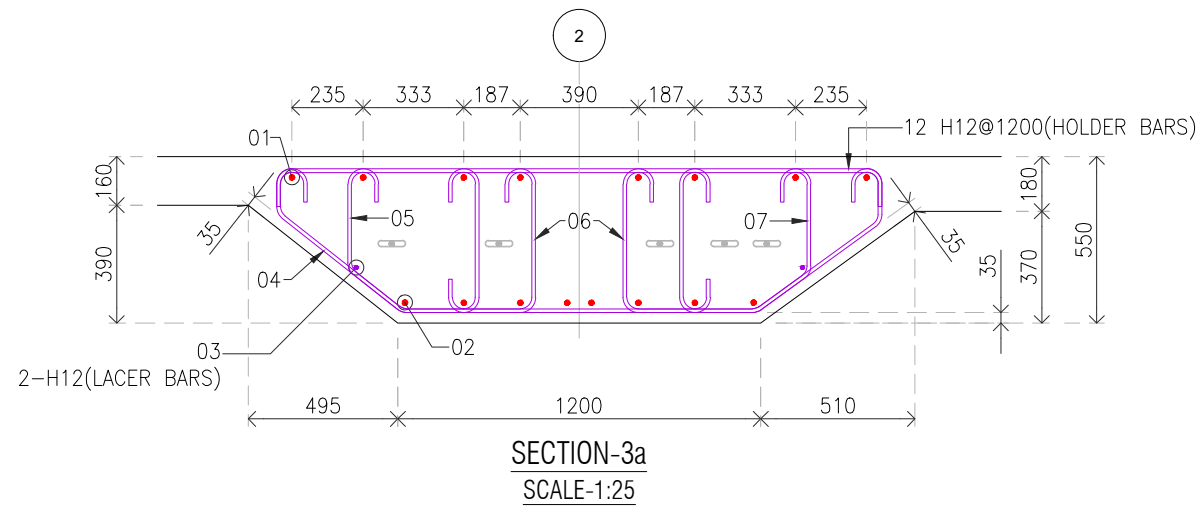
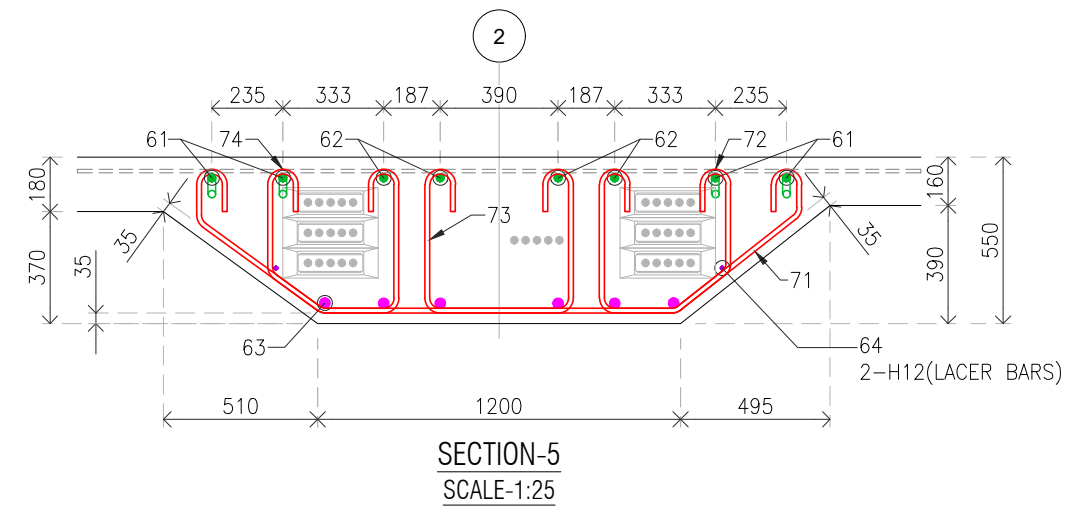
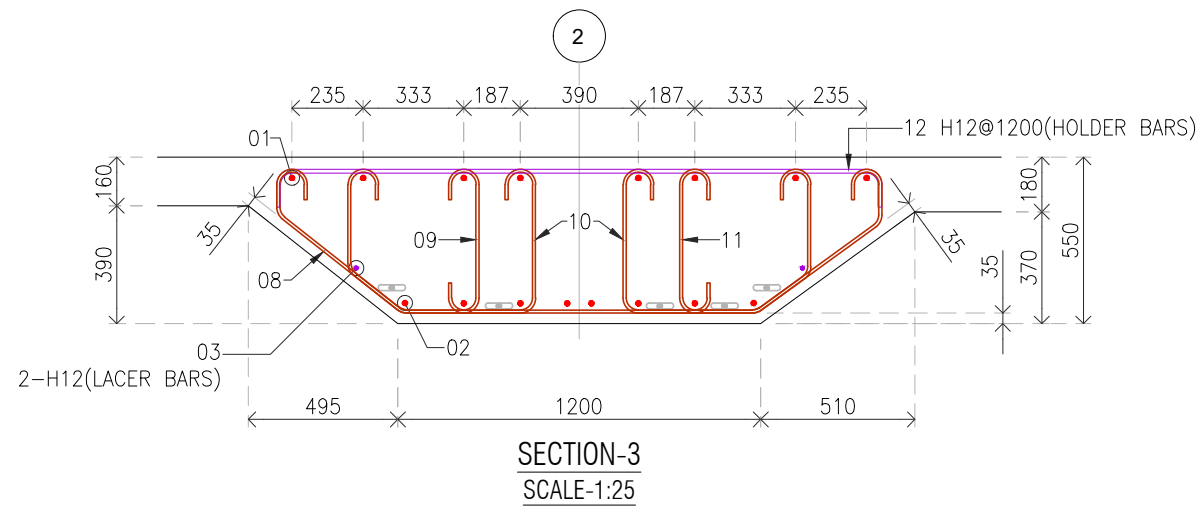
00-HDXX-00-000/000-XXX  
 Nos. OF BARS  
 Dia. OF BARS  
 BAR MARK  
 SPACING OF BAR  
 POSITION OF BAR



Project Director:	-	Initials:		Date:	
Designed:	-				
Design Review:	-				
Drawn:	NG				
Drafting Check:	HP				

Project:  
AIAL TRANSPORT HUB 1  
 Drawing Title:  
LEVEL-2 PT BEAM REINF. DETAILS ON GRID-2 (POUR-8)

Project No.	
Scale:	AS SHOWN original sheet size A3
Drawing No.	ST-67
Rev.	0
4 of 5	



Rev.	Date	Revision Details	By	Ver.	App.
0	18/05/23	ISSUED FOR APPROVAL	-	-	-

**LEGEND**  
 T1/T2- TOP BARS  
 B1- BOTTOM BARS  
 STPS- STIRRUPS

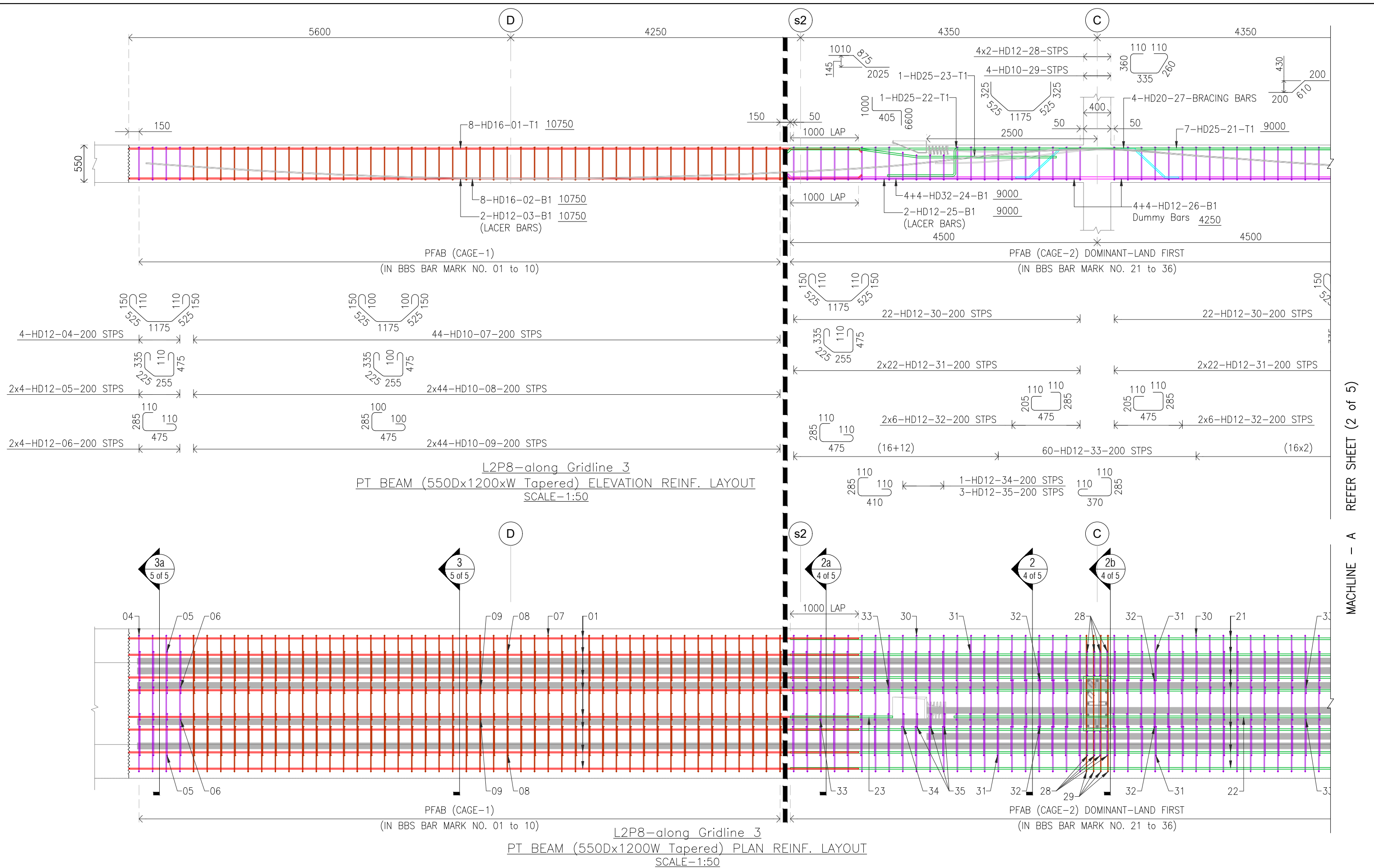
00-HDXX-00-000/000-XXX  
 Nos. OF BARS  
 Dia. OF BARS  
 BAR MARK  
 SPACING OF BAR  
 POSITION OF BAR



Project Director:	-	Initials:		Date:	
Designed:	-				
Design Review:	-				
Drawn:	NG				
Drafting Check:	HP				

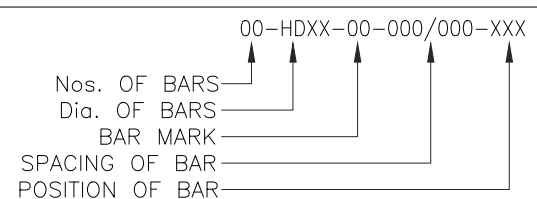
Project:	AIAL TRANSPORT HUB 1
Drawing Title:	LEVEL-2 PT BEAM REINF. DETAILS ON GRID-2 (POUR-8)

Project No.	
Scale:	AS SHOWN original sheet size A3
Drawing No.	ST-67
Rev.	0
5 of 5	



Rev.	Date	Revision Details	By	Ver.	App.
0	15/05/23	ISSUED FOR APPROVAL	-	-	-

LEGEND	
T1/T2-	TOP BARS
B1-	BOTTOM BARS
STPS-	STIRRUPS



Project Director:	-	Initials:		Date:	
Designed:	-				
Design Review:	-				
Drawn:	NG				
Drafting Check:	HP				

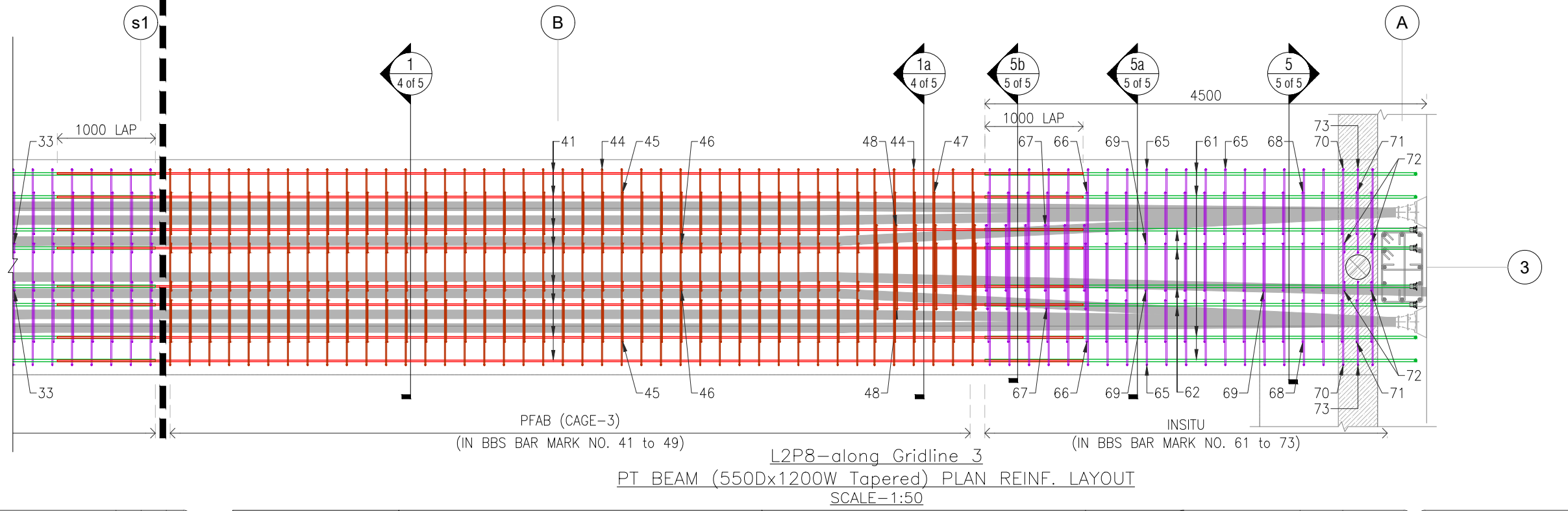
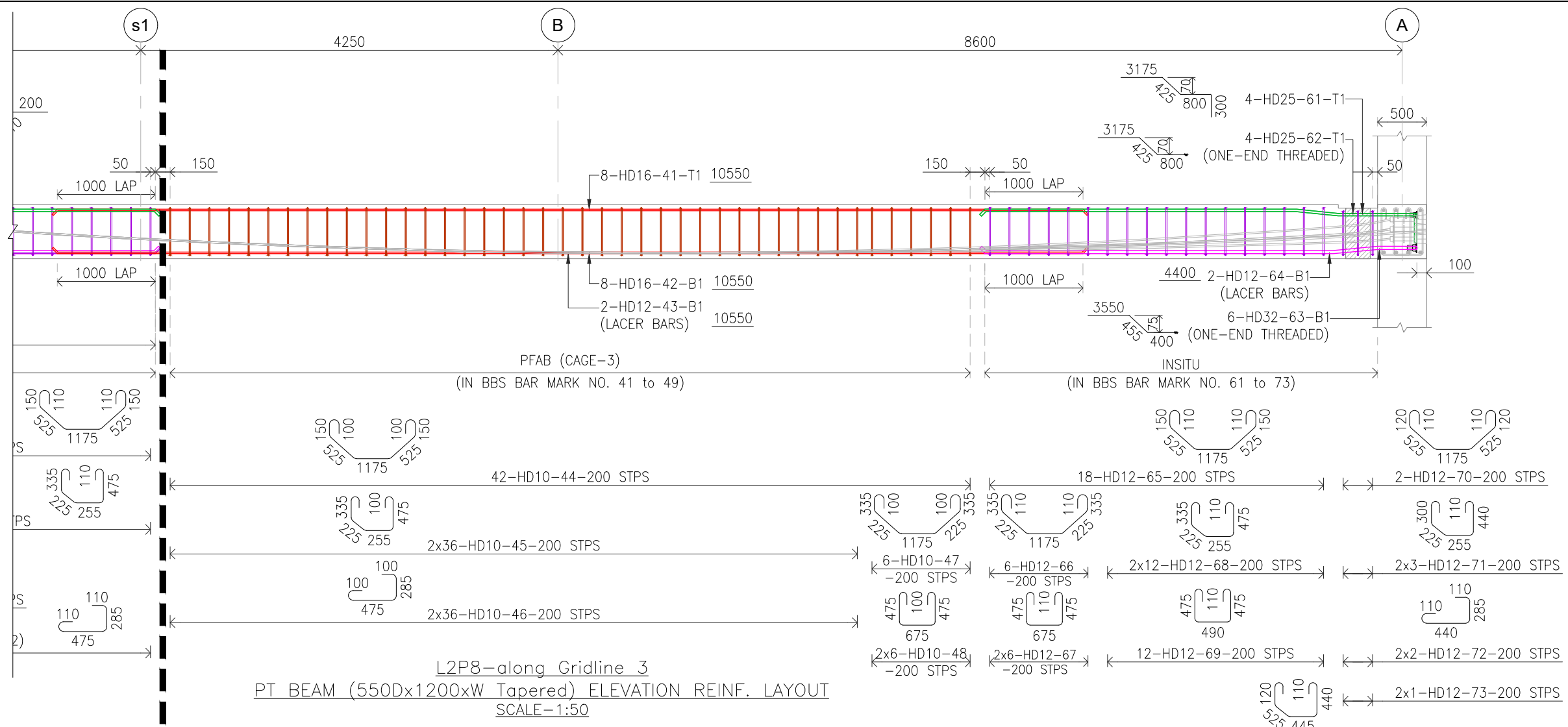
Project:	AIAL TRANSPORT HUB 1
Drawing Title:	LEVEL-2 PT BEAM REINF. DETAILS ON GRID-3 (POUR-8)

Project No.	
Scale:	AS SHOWN original sheet size A3
Drawing No.	ST-68
Rev.	0
1 of 5	

MACHINE - A REFER SHEET (2 of 5)



MACHINELINE - A REFER SHEET (2 of 5)



Rev.	Date	Revision Details	By	Ver.	App.
0	15/05/23	ISSUED FOR APPROVAL	-	-	-

**LEGEND**  
T1/T2- TOP BARS  
B1- BOTTOM BARS  
STPS- STIRRUPS

Nos. OF BARS  
Dia. OF BARS  
BAR MARK  
SPACING OF BAR  
POSITION OF BAR

00-HDXX-00-000/000-XXX



Project Director:	-	Initials:		Date:	
Designed:	-				
Design Review:	-				
Drawn:	NG				
Drafting Check:	HP				

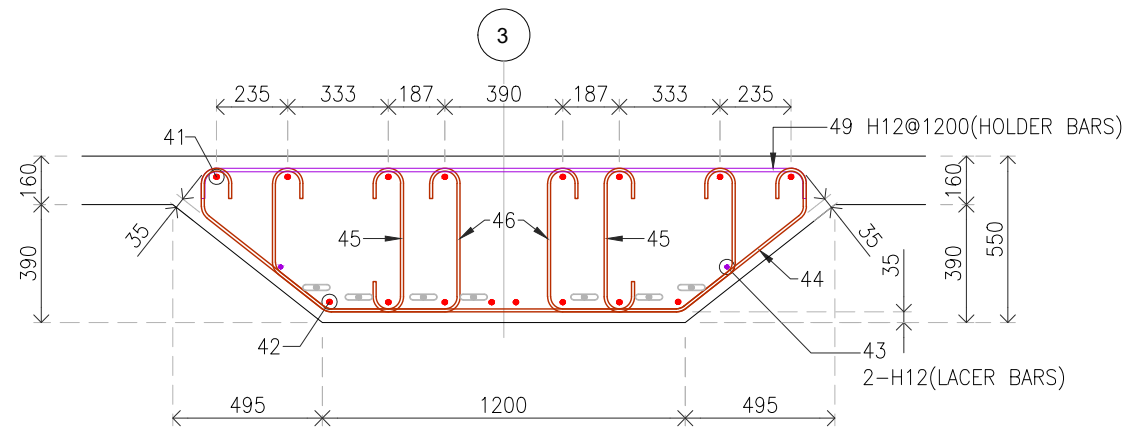
Project:  
AIAL TRANSPORT HUB 1

Drawing Title:  
LEVEL-2 PT BEAM REINF. DETAILS ON GRID-3 (POUR-8)

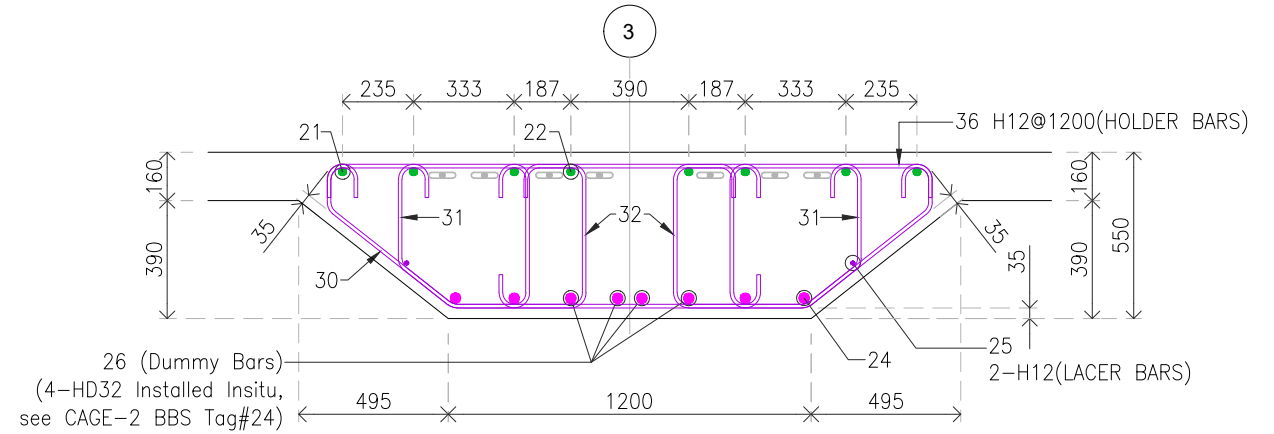
Project No.  
Scale:  
AS SHOWN  
original sheet size A3

Drawing No.  
ST-68

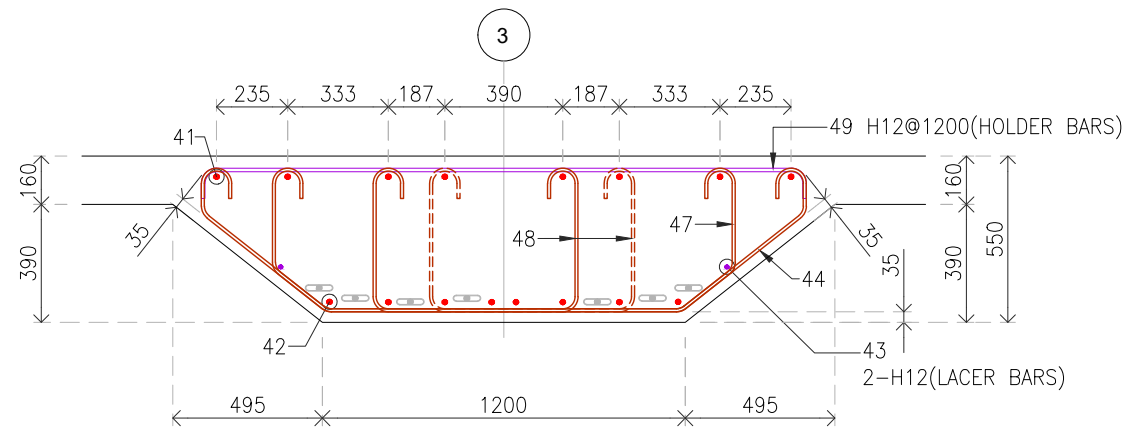
Rev.  
3 of 5



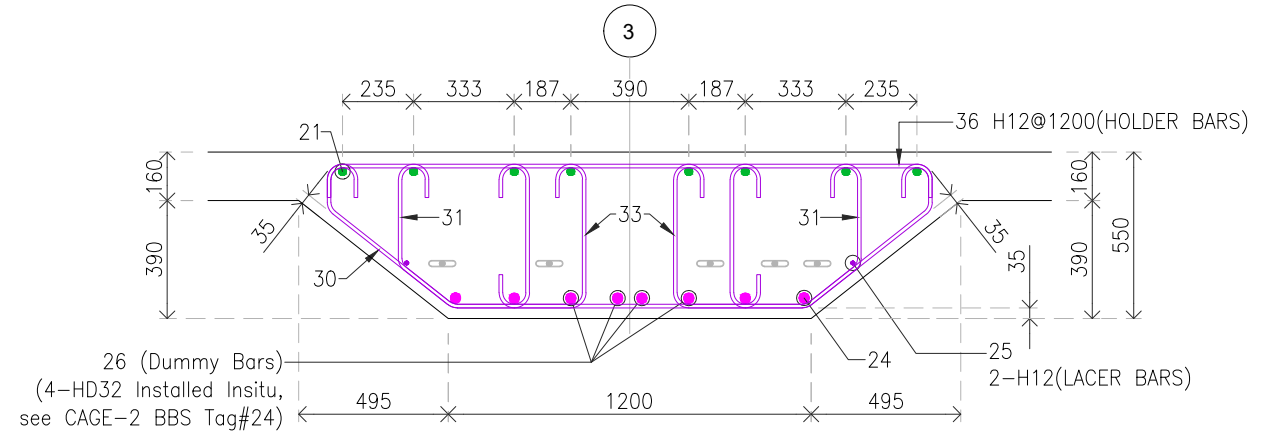
SECTION-1  
SCALE-1:25



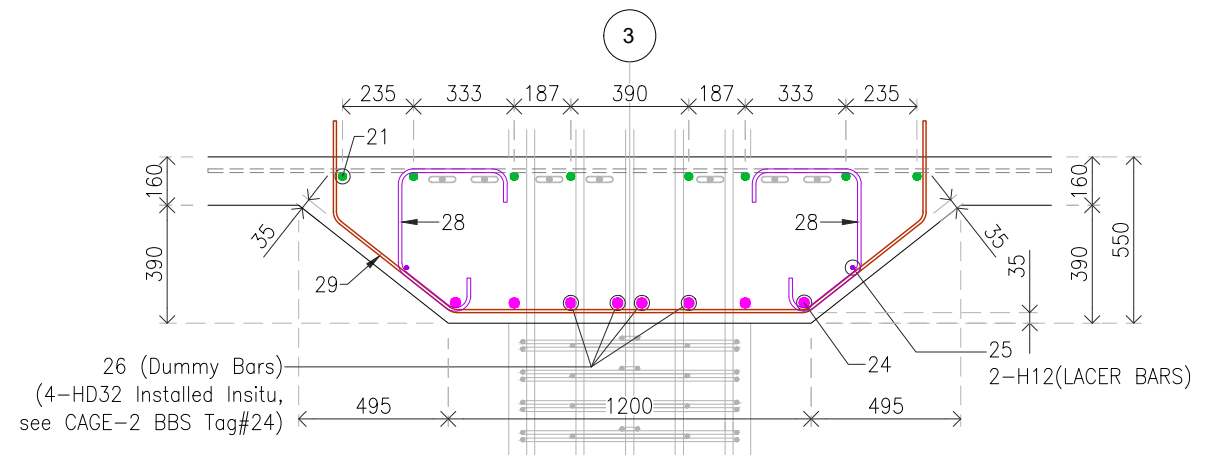
SECTION-2  
SCALE-1:25



SECTION-1a  
SCALE-1:25



SECTION-2a  
SCALE-1:25



SECTION-2b  
SCALE-1:25

Rev.	Date	Revision Details	By	Ver.	App.
0	15/05/23	ISSUED FOR APPROVAL	-	-	-

LEGEND

T1/T2- TOP BARS  
B1- BOTTOM BARS  
STPS- STIRRUPS

Nos. OF BARS  
Dia. OF BARS  
BAR MARK  
SPACING OF BAR  
POSITION OF BAR

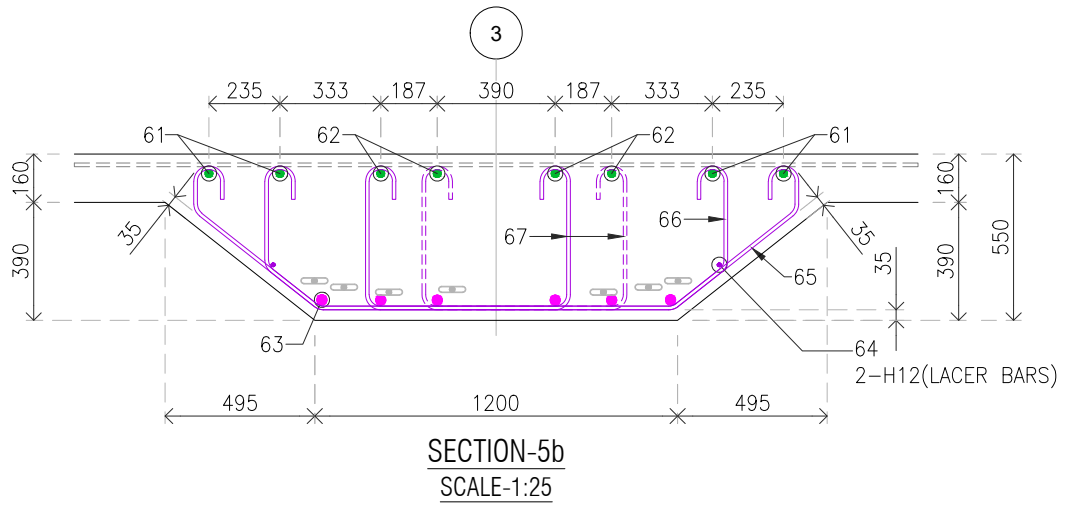
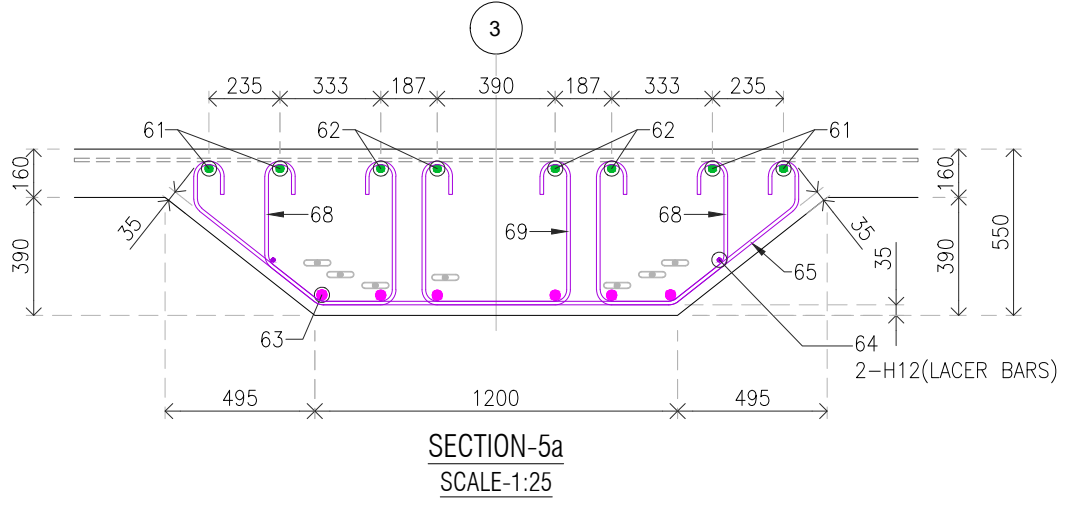
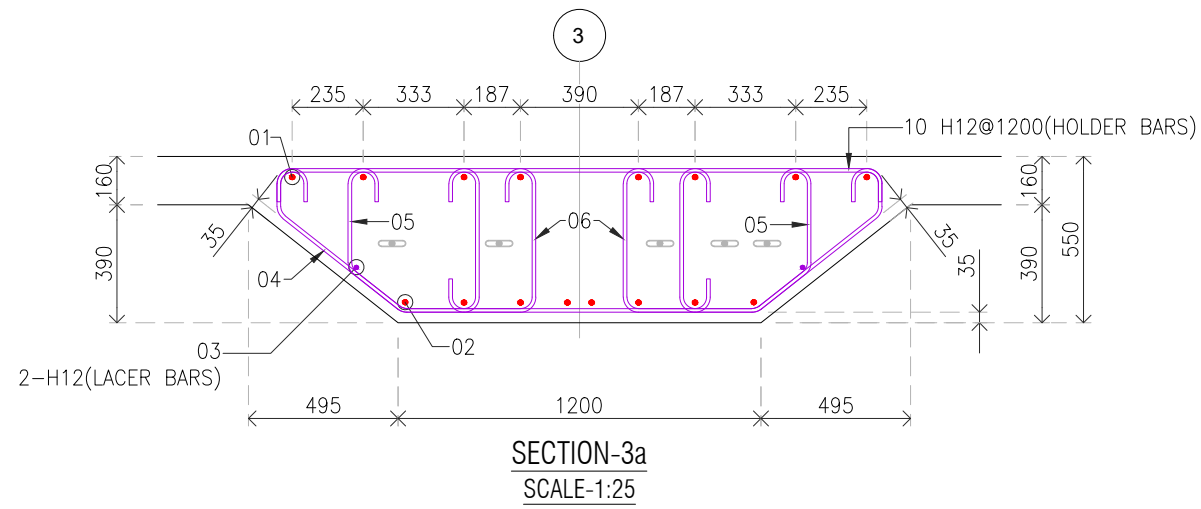
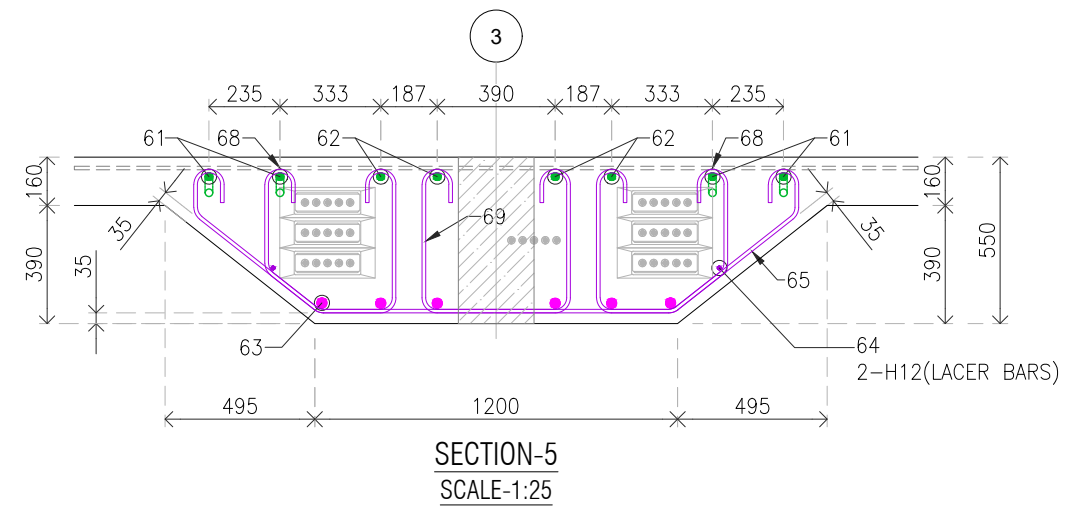
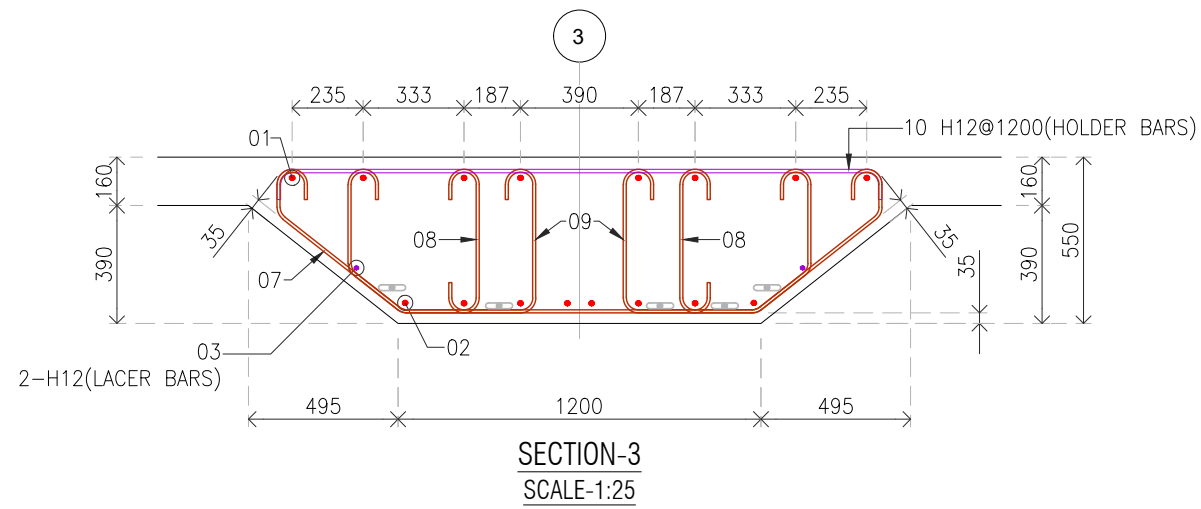
00-HDXX-00-000/000-XXX



Project Director:	-	Initials:		Date:	
Designed:	-				
Design Review:	-				
Drawn:	NG				
Drafting Check:	HP				

Project:	AIAL TRANSPORT HUB 1
Drawing Title:	LEVEL-2 PT BEAM REINF. DETAILS ON GRID-3 (POUR-8)

Project No.	
Scale:	AS SHOWN original sheet size A3
Drawing No.	ST-68
Rev.	0
4 of 5	



Rev.	Date	Revision Details	By	Ver.	App.
0	15/05/23	ISSUED FOR APPROVAL	-	-	-

**LEGEND**  
T1/T2- TOP BARS  
B1- BOTTOM BARS  
STPS- STIRRUPS

00-HDXX-00-000/000-XXX  
Nos. OF BARS  
Dia. OF BARS  
BAR MARK  
SPACING OF BAR  
POSITION OF BAR

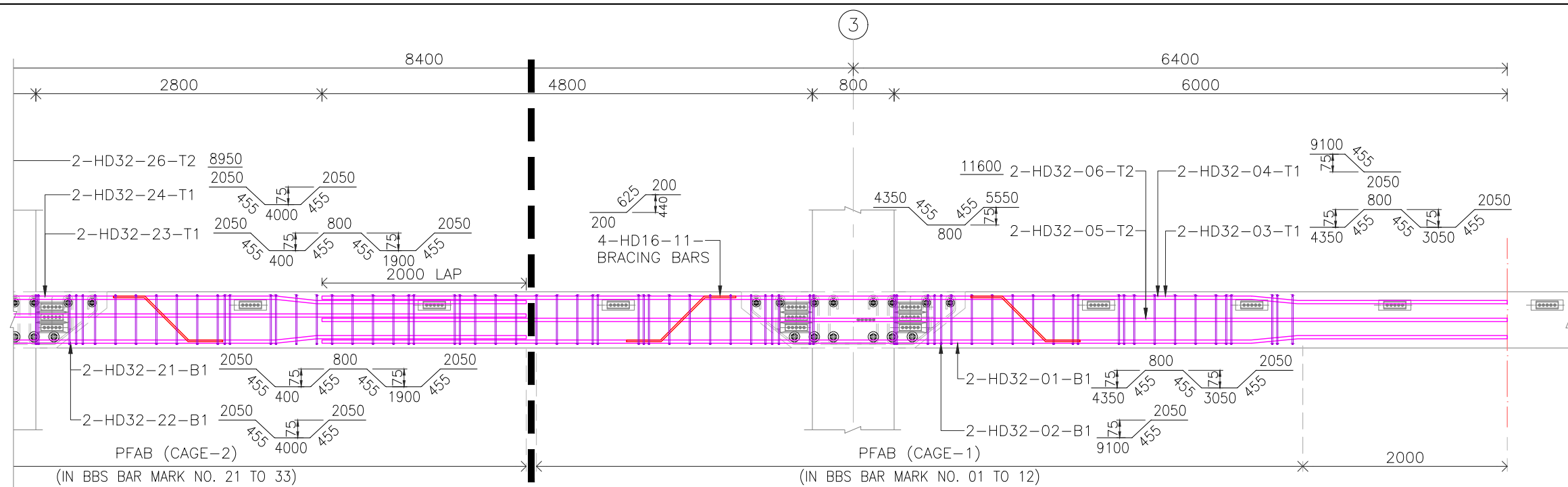


Project Director:	-	Initials:		Date:	
Designed:	-				
Design Review:	-				
Drawn:	NG				
Drafting Check:	HP				

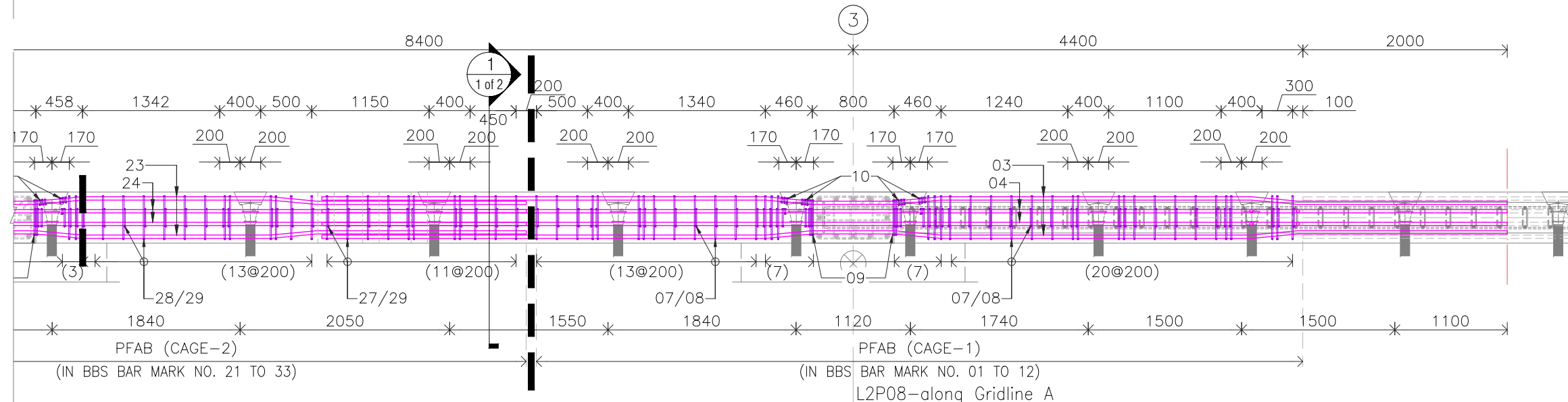
Project:	AIAL TRANSPORT HUB 1
Drawing Title:	LEVEL-2 PT BEAM REINF. DETAILS ON GRID-3 (POUR-8)

Project No.	
Scale:	AS SHOWN original sheet size A3
Drawing No.	ST-68
Rev.	0
5 of 5	

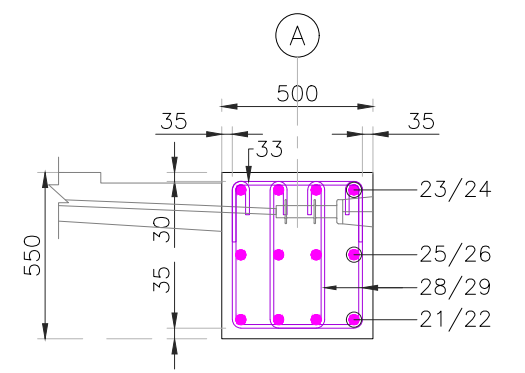
MACHINE - A REFER SHEET (2 of 2)



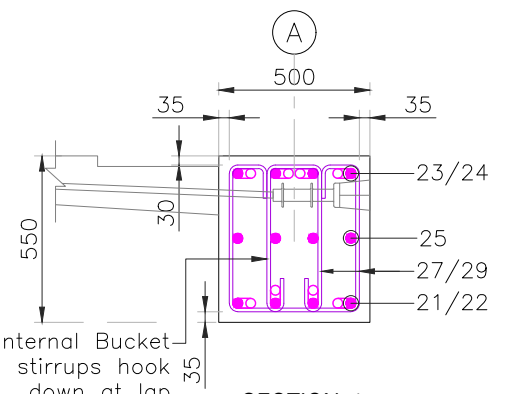
PT6 BEAM (550Dx500W) ELEVATION REINF. LAYOUT  
SCALE-1:50



PT6 BEAM (550Dx500W) PLAN REINF. LAYOUT  
SCALE-1:50



SECTION-2  
SCALE-1:25



SECTION-1  
SCALE-1:25

Rev.	Date	Revision Details	By	Ver.	App.
0	13/05/23	ISSUED FOR APPROVAL	-	-	-

**LEGEND**  
 T1/T2- TOP BARS  
 B1- BOTTOM BARS  
 STPS- STIRRUPS

Nos. OF BARS  
 Dia. OF BARS  
 BAR MARK  
 SPACING OF BAR  
 POSITION OF BAR

00-HDXX-00-000/000-XXX



Project Director:	Initials:	Date:
Designed:		
Design Review:		
Drawn:	AT	
Drafting Check:	JT	

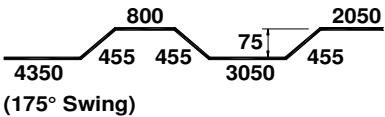
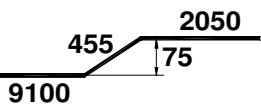
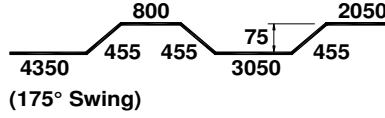
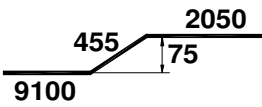
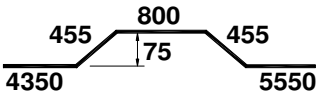
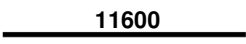
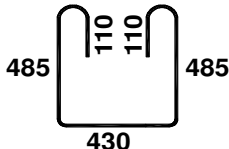
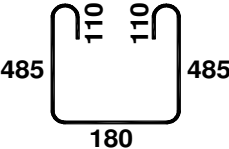
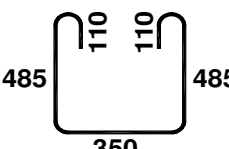
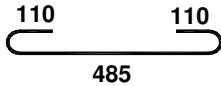
Project:  
 AIAL TRANSPORT HUB 1

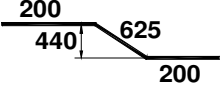
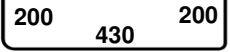
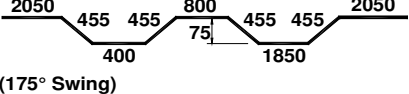
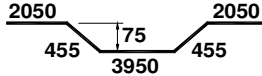
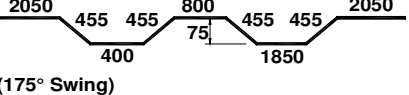
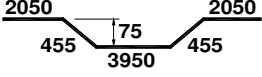
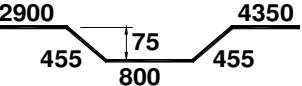

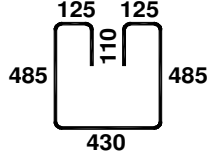
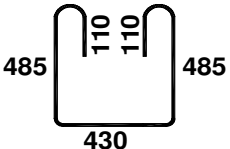
Drawing Title:  
 LEVEL-2 PT BEAM REINF. DETAILS ON GRID-A (POUR-08)

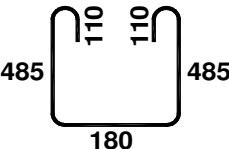
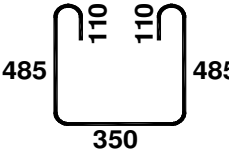
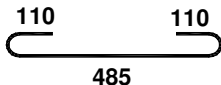
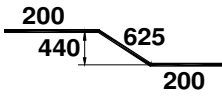
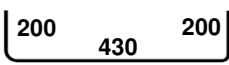
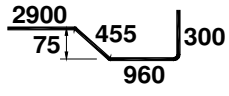
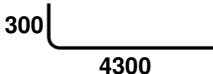
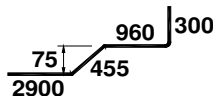
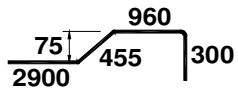
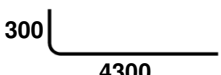
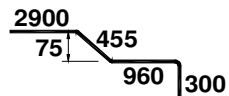
Project No.	
Scale:	AS SHOWN original sheet size A3
Drawing No.	ST-69
Rev.	0





Project : AIAL TRANSPORT HUB 1					Contract Drawing		REV.
Date : 13 / 05 / 2023					S1201, S1214, S1224, S1244		8
Drawing Description: LEVEL-2 PT Beam Reinf. On Grid-A (Pour-08)					REV.		S1234 7
Drawing Number:			ST-69		0		
BBS Nubmber:			BBS-ST-69		0		
BAR MARK	NOTES	SIZE	QTY	LENGTH	SHAPE (O/A DIMS)		TOTAL WT. KG
PFEB (CAGE-1)							
1	HD32 BOT BARS	HD 32	2	11615			146.68
2	HD32 BOT BARS	HD 32	2	11605			146.55
3	HD32 TOP BARS (T1)	HD 32	2	11615			146.68
4	HD32 TOP BARS (T1)	HD 32	2	11605			146.55
5	HD32 TOP BARS (T2)	HD 32	2	11610			146.61
6	HD32 TOP BARS (T2)	HD 32	2	11600			146.49
7	HD12 @ 100/200 crs STIRRUPS	HD 12	39	1620			56.10
8	HD12 @ 100/200 crs STIRRUPS	HD 12	47	1370			57.17
9	HD12 @ 100 crs STIRRUPS	HD 12	4	1540			5.47
10	7-HD12 STIRRUPS	HD 12	14	710			8.83

Project : AIAL TRANSPORT HUB 1					Contract Drawing		REV.
Date : 13 / 05 / 2023					S1201, S1214, S1224, S1244		8
Drawing Description: LEVEL-2 PT Beam Reinf. On Grid-A (Pour-08)					REV.		S1234 7
Drawing Number:			ST-69		0		
BBS Nubmber:			BBS-ST-69		0		
BAR MARK	NOTES	SIZE	QTY	LENGTH	SHAPE (O/A DIMS)	TOTAL WT. KG	
11	HD16 BRACING BARS	HD 16	4	1025		6.47	
12	HD12 U-BARS	HD 12	7	830		5.16	
PFEB (CAGE-2)							
21	HD32 BOT BARS	HD 32	2	8970		113.28	
22	HD32 BOT BARS	HD 32	2	8960		113.15	
23	HD32 TOP BARS (T1)	HD 32	2	8970		113.28	
24	HD32 TOP BARS (T1)	HD 32	2	8960		113.15	
25	HD32 TOP BARS (T2)	HD 32	2	8960		113.15	
26	HD32 TOP BARS (T2)	HD 32	2	8950		113.02	
27	HD12 @ 200 crs STIRRUPS	HD 12	11	1690		16.51	
28	HD12 @ 100/200 crs STIRRUPS	HD 12	23	1620		33.08	

Project : AIAL TRANSPORT HUB 1					Contract Drawing		REV.
Date : 13 / 05 / 2023					S1201, S1214, S1224, S1244		8
Drawing Description: LEVEL-2 PT Beam Reinf. On Grid-A (Pour-08)					REV.		S1234 7
Drawing Number:			ST-69		0		
BBS Nubmber:			BBS-ST-69		0		
BAR MARK	NOTES	SIZE	QTY	LENGTH	SHAPE (O/A DIMS)	TOTAL WT. KG	
29	HD12 @ 100/200 crs STIRRUPS	HD 12	42	1370		51.09	
30	HD12 @ 100 crs STIRRUPS	HD 12	4	1540		5.47	
31	7-HD12 STIRRUPS	HD 12	14	710		8.83	
32	HD16 BRACING BARS	HD 16	4	1025		6.47	
33	HD12 U-BARS	HD 12	7	830		5.16	
IN SITU							
41	HD32 BOT BARS	HD 32	1	4615		29.14	
42	HD32 BOT BARS	HD 32	2	4600		58.09	
43	HD32 BOT BARS	HD 32	1	4615		29.14	
44	HD32 TOP BARS (T1)	HD 32	1	4615		29.14	
45	HD32 TOP BARS (T1)	HD 32	2	4600		58.09	
46	HD32 TOP BARS (T1)	HD 32	1	4615		29.14	

Project : AIAL TRANSPORT HUB 1					Contract Drawing		REV.
Date : 13 / 05 / 2023					S1201, S1214, S1224, S1244		8
Drawing Description: LEVEL-2 PT Beam Reinf. On Grid-A (Pour-08)					REV.	S1234	7
Drawing Number:			ST-69		0		
BBS Nubmber:			BBS-ST-69		0		
BAR MARK	NOTES	SIZE	QTY	LENGTH	SHAPE (O/A DIMS)	TOTAL WT. KG	
47	HD32 TOP BARS (T2)	HD 32	2	4315		54.49	
48	HD32 TOP BARS (T2)	HD 32	2	4300		54.30	
49	HD12 @ 200 crs STIRRUPS	HD 12	13	1690		19.51	
50	HD12 @ 100/200 crs STIRRUPS	HD 12	9	1620		12.95	
51	HD12 @ 100/200 crs STIRRUPS	HD 12	22	1370		26.76	
<b>Total Weight</b>						<b>2225.15</b>	

**NOTE:**  
(1) All dimension lengths mentioned in the Shape are taken as out-to-out dimensions.

<u>Summary Of Bars</u>	
Size	Weight
10	0.00
12	312.08
16	12.94
20	0.00
25	0.00
32	1900.12
<b>Total Weight</b>	<b>2225.15</b>