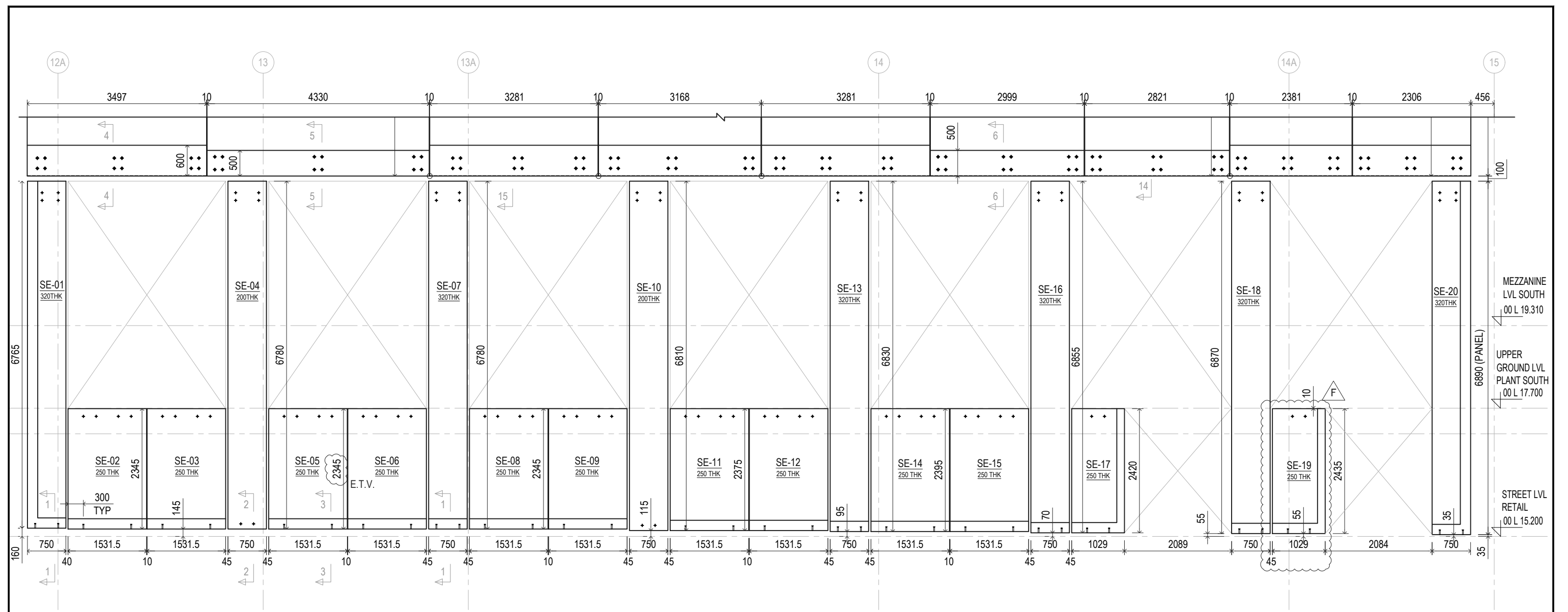


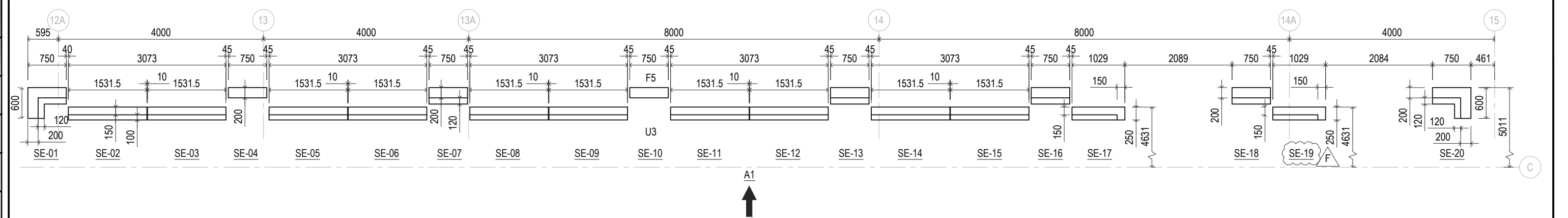


WATERLOO





GRID C+ PANEL ELEVATION (A1)
SCALE - 1:75



00-STREET LEVEL RETAIL PRECAST PANEL LAYOUT
SCALE - 1:75

E.T.V. - ENGINEER TO VERIFY

U3 - INNER FACE
F5 - OUTER FACE

REV.	BY	DATE	DESCRIPTION	APPD.
F	NG	08/08/23	PANEL SE-19 ADDED	
E	VR	27/06/23	REVISED AS MARKED	
D	NG	20/01/23	REVISED AS PER COMMENTS	
C	VR	01/08/22	REVISED AS PER COMMENTS	
B	VR	12/07/22	ISSUED FOR APPROVAL	
A	VR	21/05/22	ISSUED FOR REVIEW	

SCALES

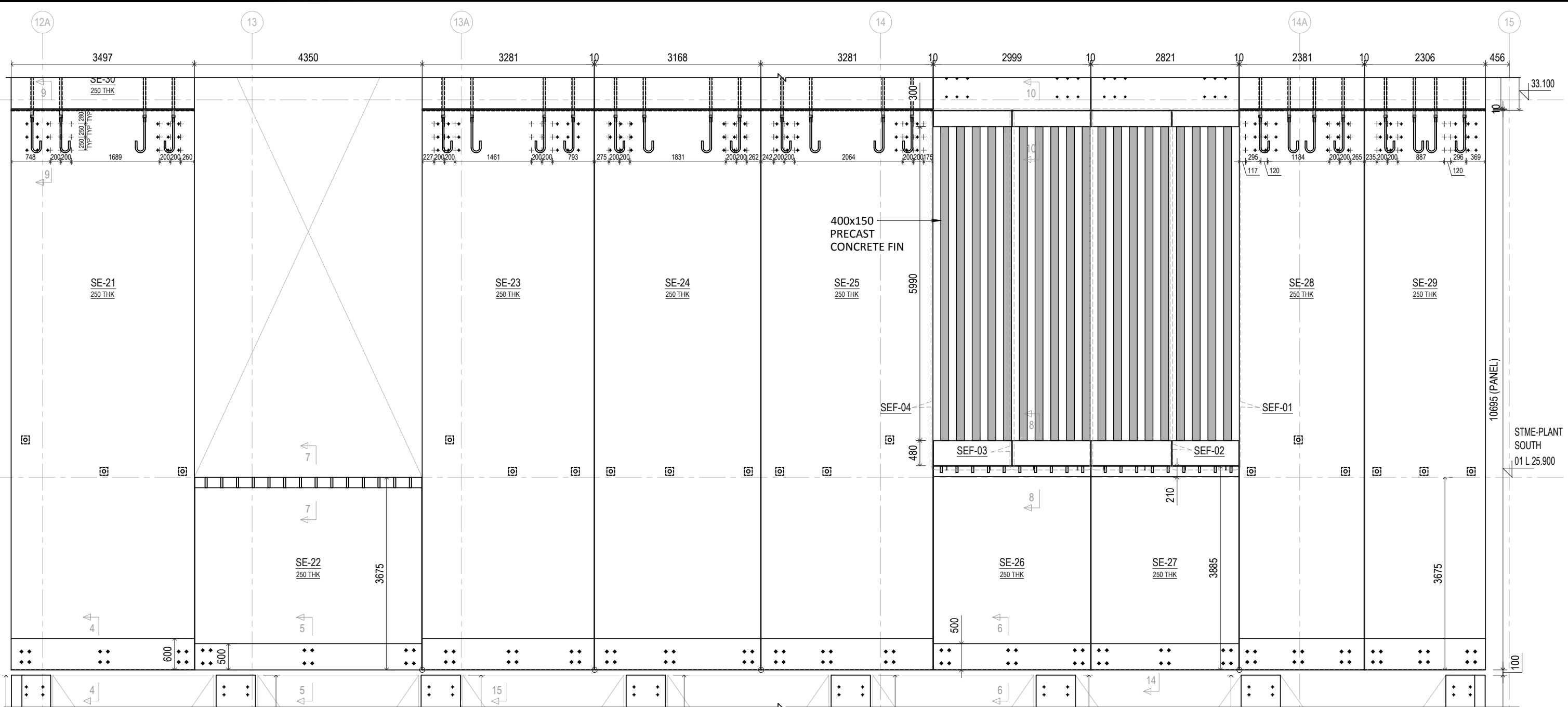
CLIENT

SERVICE PROVIDERS
DRAWN: VR
DESIGNED: _____
DRG CHECK: HP
DESIGN CHECK: _____
APPROVED: _____

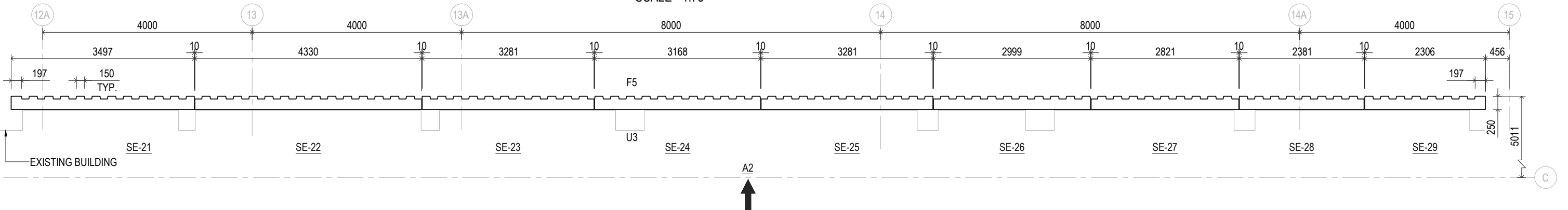
The information shown on this drawing is for the purposes of the Sydney Metro Project only. No warranty is given or implied as to its suitability for any other purpose. The Service Providers accept no liability arising from the use of this drawing and the information shown thereon for any purpose other than the Sydney Metro Project.

SYDNEY METRO
 WATERLOO STATION
 PRECAST
 00-STREET LEVEL RETAIL PRECAST PANEL LAYOUT
 SOUTH BUILDING (EAST)

STATUS: ISSUED FOR APPROVAL SHEET 1 OF 6 ©
 DRG No. SMCSWSWL-FUS-SWL-PT-SHP-700001 REV. F



GRID C+ PANEL ELEVATION (A2)
SCALE - 1:75



01-STME PLANT SOUTH PRECAST PANEL LAYOUT
SCALE - 1:75

U3 - INNER FACE
F5 - OUTER FACE

E.T.V. - ENGINEER TO VERIFY

REV.	BY	DATE	DESCRIPTION	APPD.
F	NG	08/08/23	PANEL SE-19 ADDED	
E	VR	27/06/23	REVISED AS MARKED	
D	NG	20/01/23	REVISED AS PER COMMENTS	
C	VR	01/08/22	REVISED AS PER COMMENTS	
B	VR	12/07/22	ISSUED FOR APPROVAL	
A	VR	21/05/22	ISSUED FOR REVIEW	

SCALES

CLIENT

SERVICE PROVIDERS

DRAWN	VR
DESIGNED	
DRG CHECK	HP
DESIGN CHECK	
APPROVED	

SYDNEY METRO
 WATERLOO STATION
 PRECAST
 01-STME PLANT LEVEL SOUTH PRECAST PANEL LAYOUT
 SOUTH BUILDING (EAST)

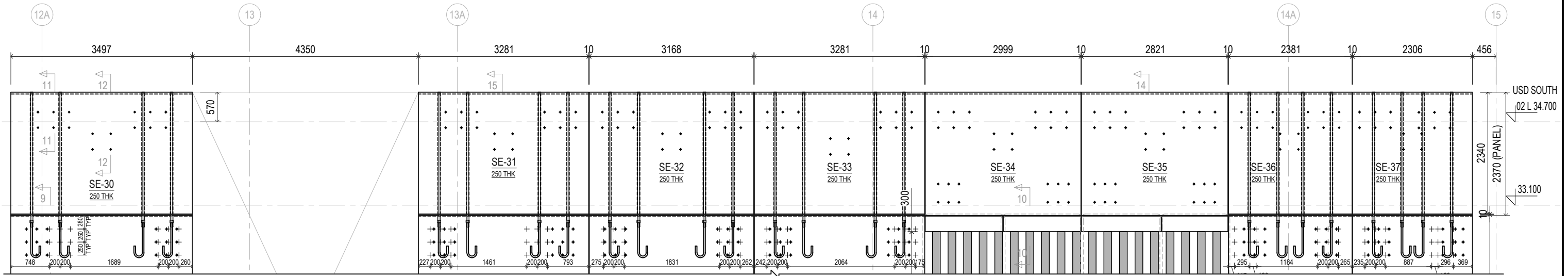
STATUS: ISSUED FOR APPROVAL SHEET 2 OF 6 ©
 DRG No. SMCSWSWL-FUS-SWL-PT-SHP-700002 REV. F

A3 Original Co-ordinate System: MGA Zone 56 Height Datum: A.H.D. This sheet may be prepared using colour and may be incomplete if copied

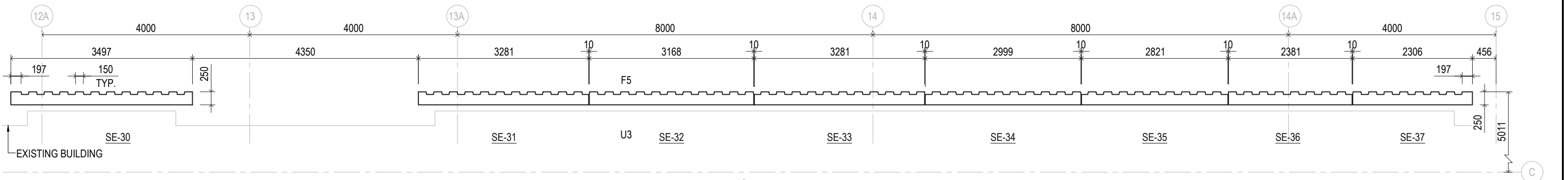
NOTE: Do not scale from this drawing.

ALT. DRG No.

100mm AT FULL SIZE



GRID C+ PANEL ELEVATION (A3)
SCALE - 1:75



02-OSD SOUTH LEVEL PANEL PANEL LAYOUT
SCALE - 1:75

+	FERRULE LOCATION AS PER SWL-AWI-ST-SHP-111874-82(1)
+	FERRULE LOCATION AS PER REV-D WSD

U3 - INNER FACE
F5 - OUTER FACE

E.T.V. - ENGINEER TO VERIFY

REV.	BY	DATE	DESCRIPTION	APPD.
F	NG	08/08/23	PANEL SE-19 ADDED	
E	VR	27/06/23	REVISED AS MARKED	
D	NG	20/01/23	REVISED AS PER COMMENTS	
C	VR	01/08/22	REVISED AS PER COMMENTS	
B	VR	12/07/22	ISSUED FOR APPROVAL	
A	VR	21/05/22	ISSUED FOR REVIEW	

SCALES

CLIENT

SERVICE PROVIDERS

DRAWN	VR
DESIGNED	
DRG CHECK	HP
DESIGN CHECK	
APPROVED	

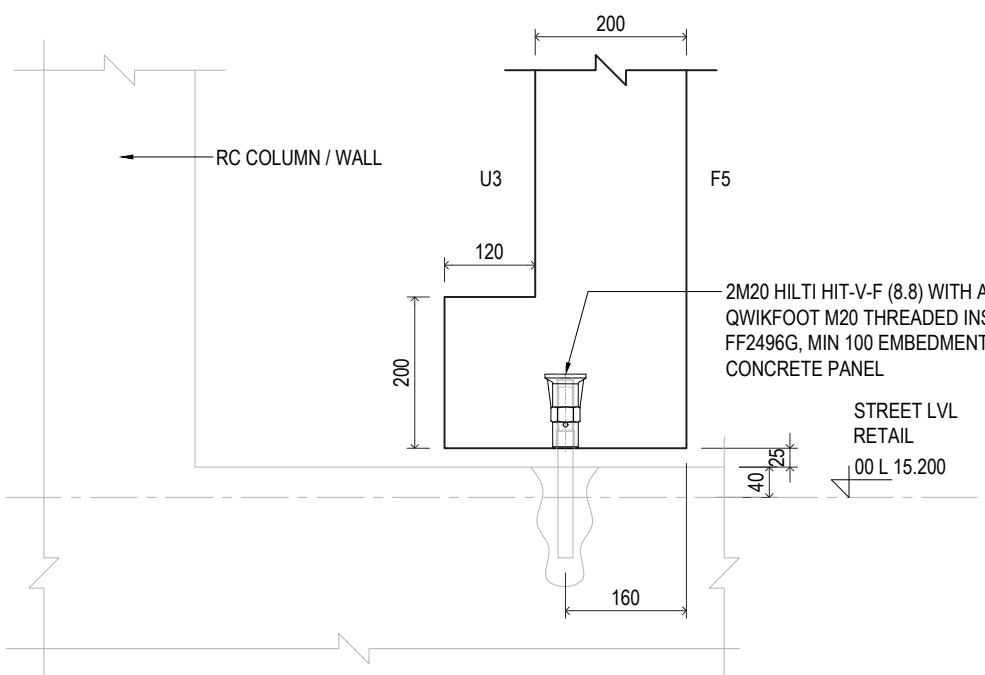
SYDNEY METRO			
WATERLOO STATION			
PRECAST			
02-OSD SOUTH LEVEL PRECAST PANEL LAYOUT			
SOUTH BUILDING (EAST)			
STATUS: ISSUED FOR APPROVAL		SHEET 3 OF 6	
DRG No. SMCSWSWL-FUS-SWL-PT-SHP-700003		REV. F	

A3 Original Co-ordinate System: MGA Zone 56 Height Datum: A.H.D. This sheet may be prepared using colour and may be incomplete if copied

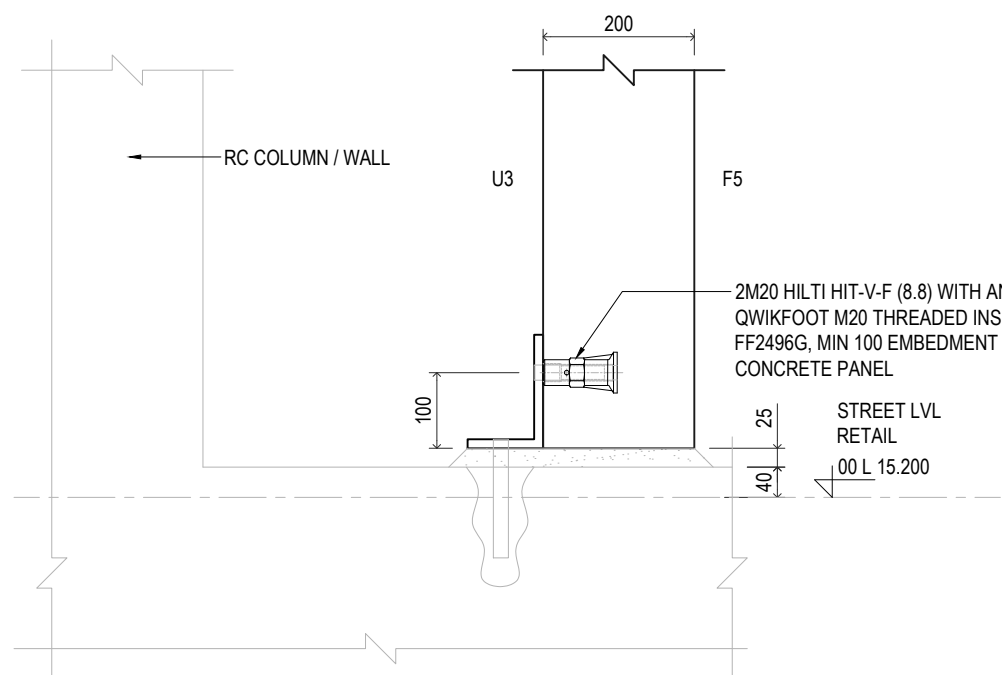
NOTE: Do not scale from this drawing. ALT. DRG No.

The information shown on this drawing is for the purposes of the Sydney Metro Project only. No warranty is given or implied as to its suitability for any other purpose. The Service Providers accept no liability arising from the use of this drawing and the information shown thereon for any purpose other than the Sydney Metro Project.

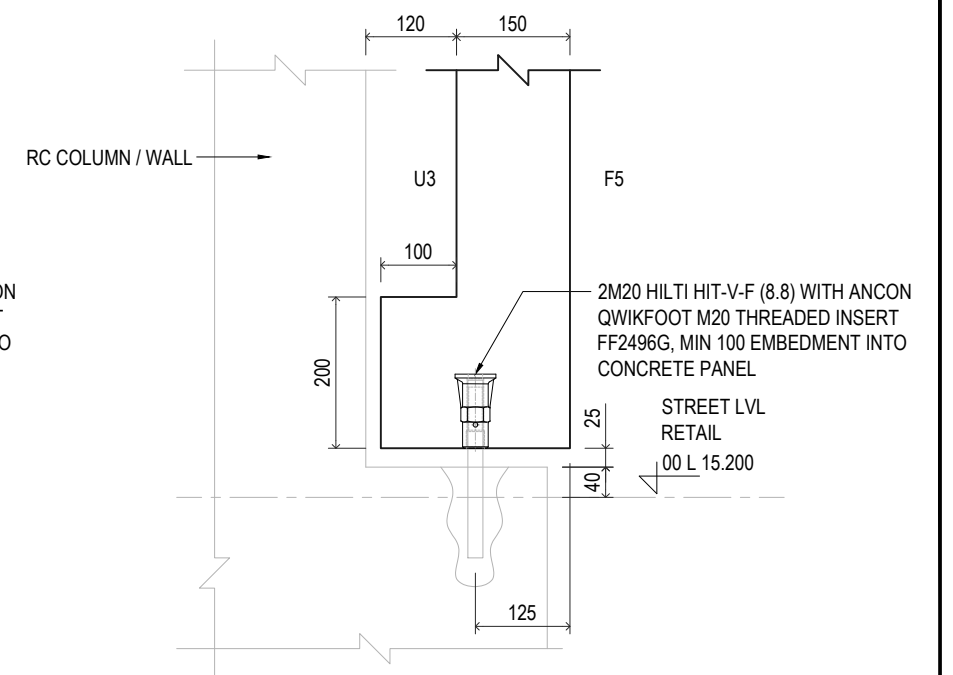
100mm AT FULL SIZE



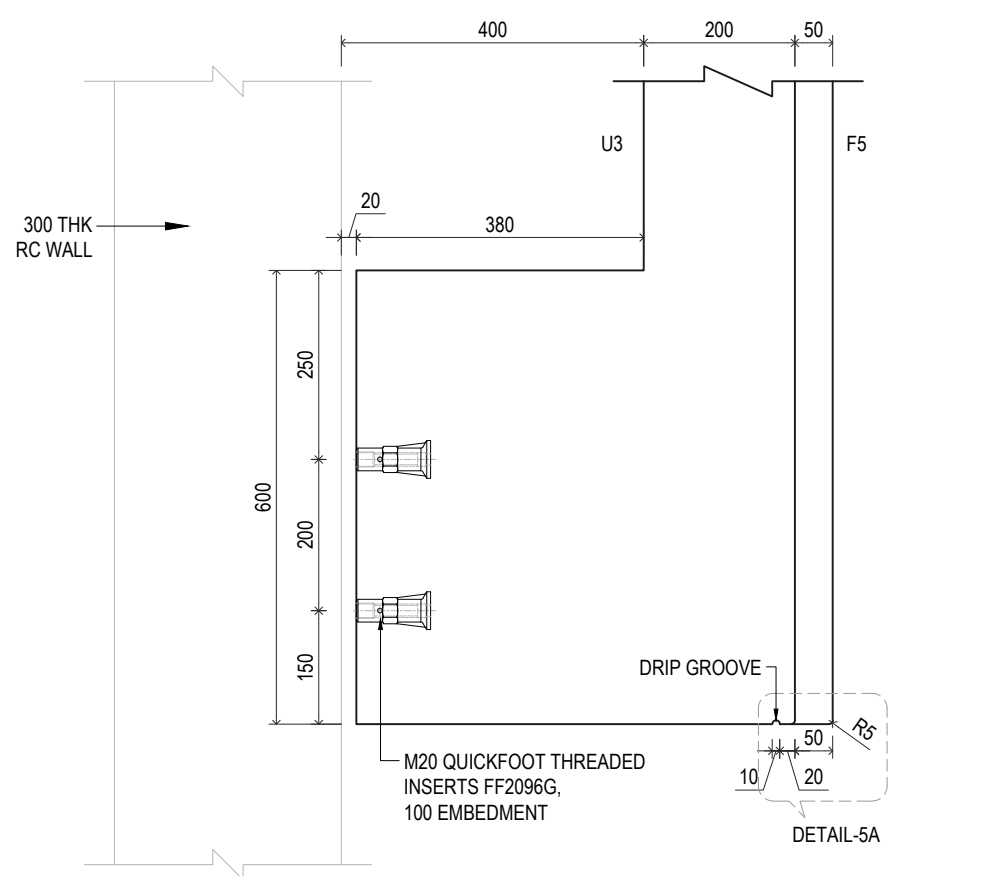
DETAIL-1
SCALE - 1:10



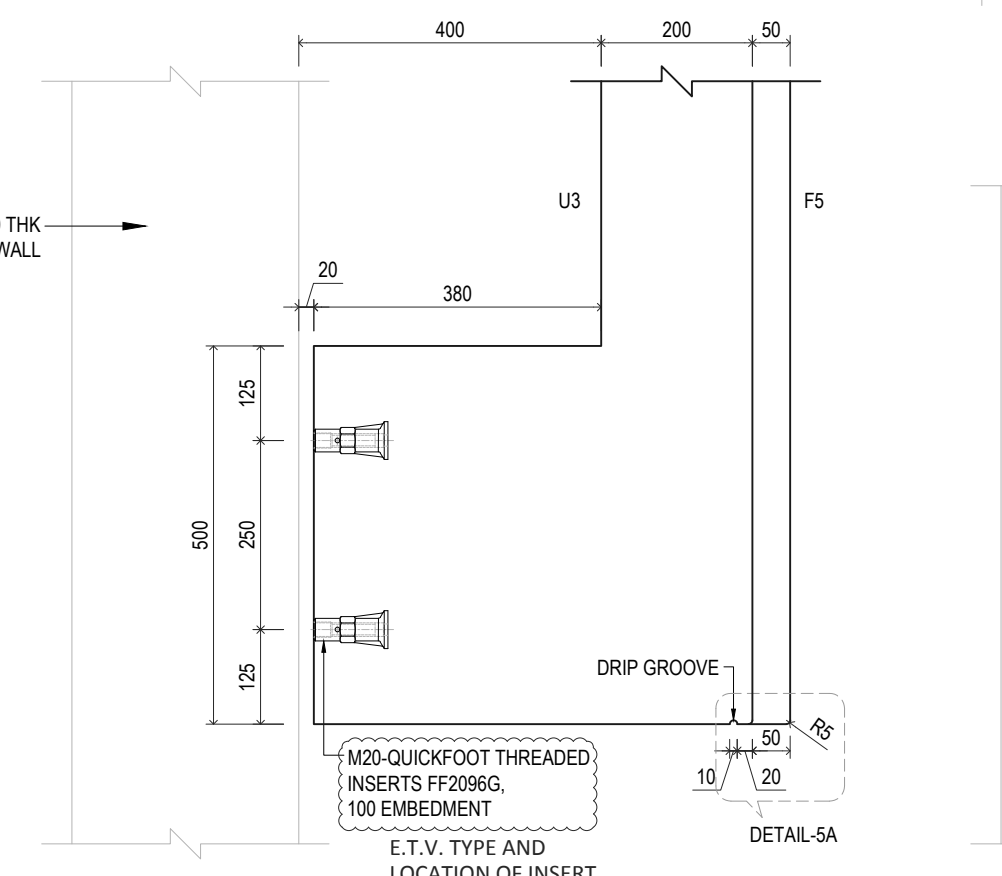
DETAIL-2
SCALE - 1:10



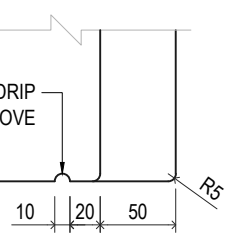
DETAIL-3
SCALE - 1:10



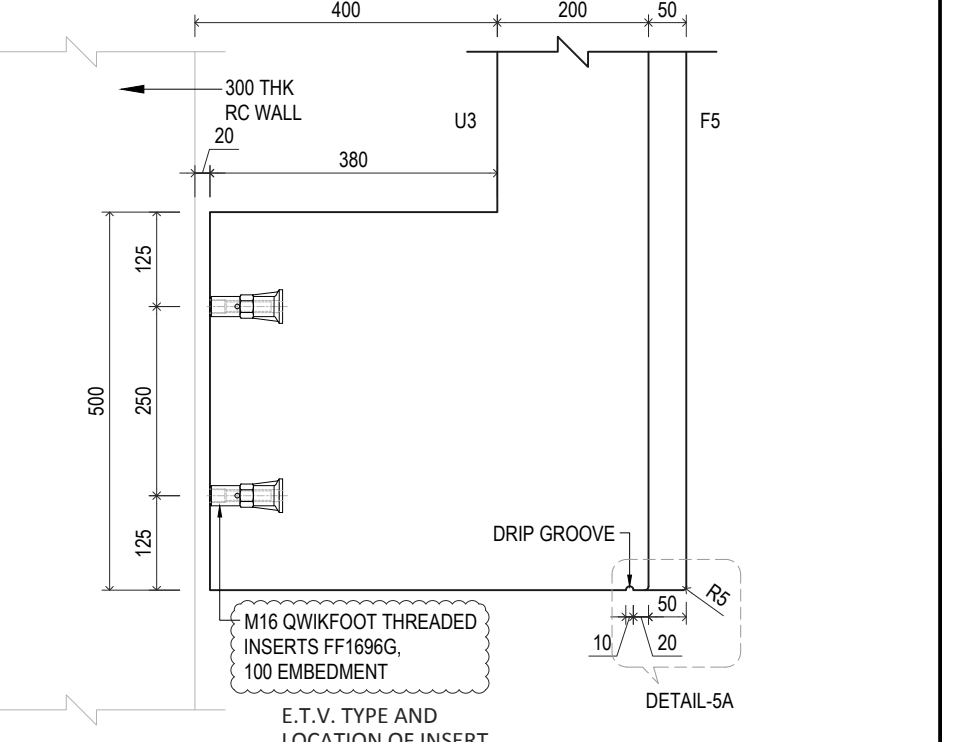
DETAIL-4
SCALE - 1:10



DETAIL-5
SCALE - 1:10



DETAIL-5A
SCALE - 1:5



DETAIL-6
SCALE - 1:10

E.T.V. - ENGINEER TO VERIFY

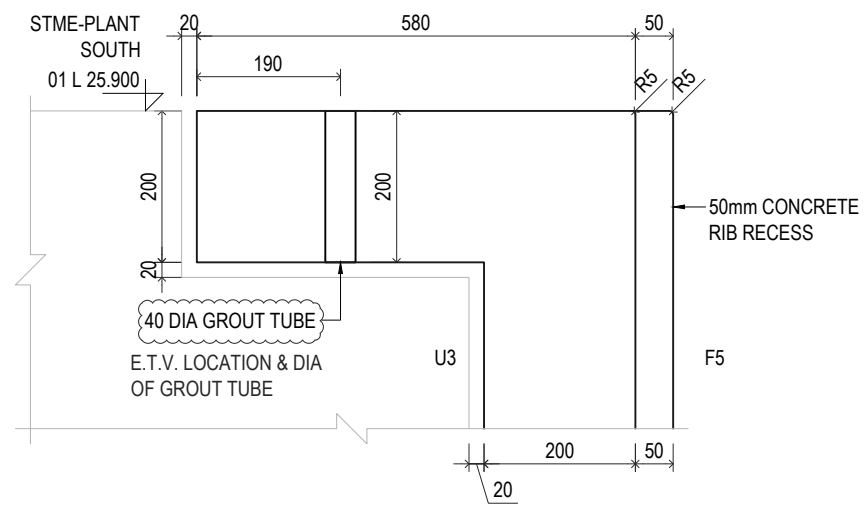
U3 - INNER FACE
F5 - OUTER FACE

REV.	BY	DATE	DESCRIPTION	APPD.	SCALES	CLIENT	SERVICE PROVIDERS	SYDNEY METRO
F	NG	08/08/23	PANEL SE-19 ADDED					WATERLOO STATION
E	VR	27/06/23	REVISED AS MARKED					PRECAST
D	NG	20/01/23	REVISED AS PER COMMENTS					PRECAST PANEL DETAILS
C	VR	01/08/22	REVISED AS PER COMMENTS					SOUTH BUILDING (EAST)
B	VR	12/07/22	ISSUED FOR APPROVAL					STATUS: ISSUED FOR APPROVAL
A	VR	21/05/22	ISSUED FOR REVIEW					SHEET 4 OF 6
A3 Original			Co-ordinate System: MGA Zone 56	Height Datum: A.H.D.	This sheet may be prepared using colour and may be incomplete if copied	NOTE: Do not scale from this drawing.	ALT. DRG No.	DRG No. SMCSWSWL-FUS-SWL-PT-SHP-700004

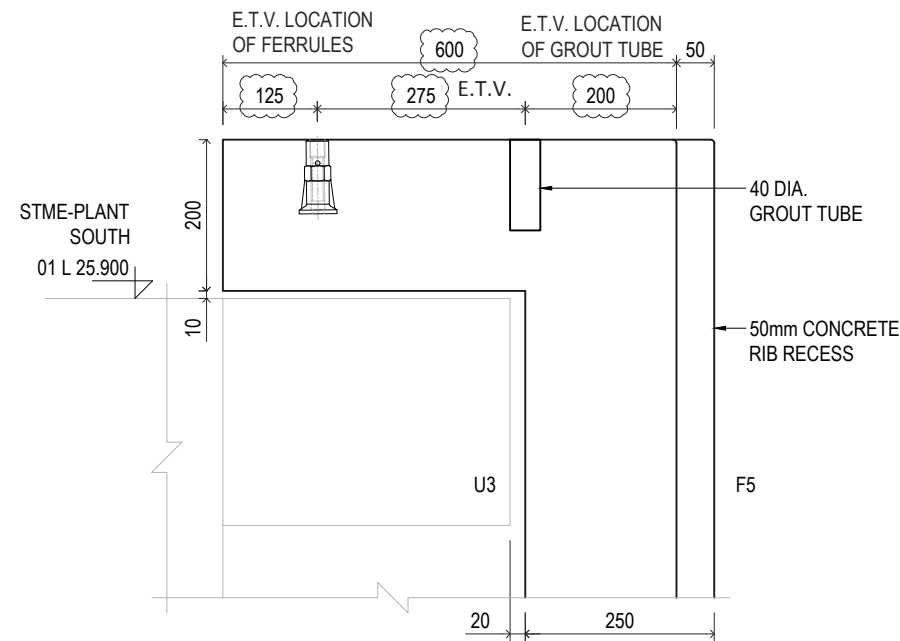
The information shown on this drawing is for the purposes of the Sydney Metro Project only. No warranty is given or implied as to its suitability for any other purpose. The Service Providers accept no liability arising from the use of this drawing and the information shown thereon for any purpose other than the Sydney Metro Project.

DRAWN: VR
DESIGNED: _____
DRG CHECK: HP
DESIGN CHECK: _____
APPROVED: _____

SYDNEY METRO
WATERLOO STATION
PRECAST
PRECAST PANEL DETAILS
SOUTH BUILDING (EAST)
STATUS: ISSUED FOR APPROVAL
SHEET 4 OF 6
DRG No. SMCSWSWL-FUS-SWL-PT-SHP-700004
REV. F

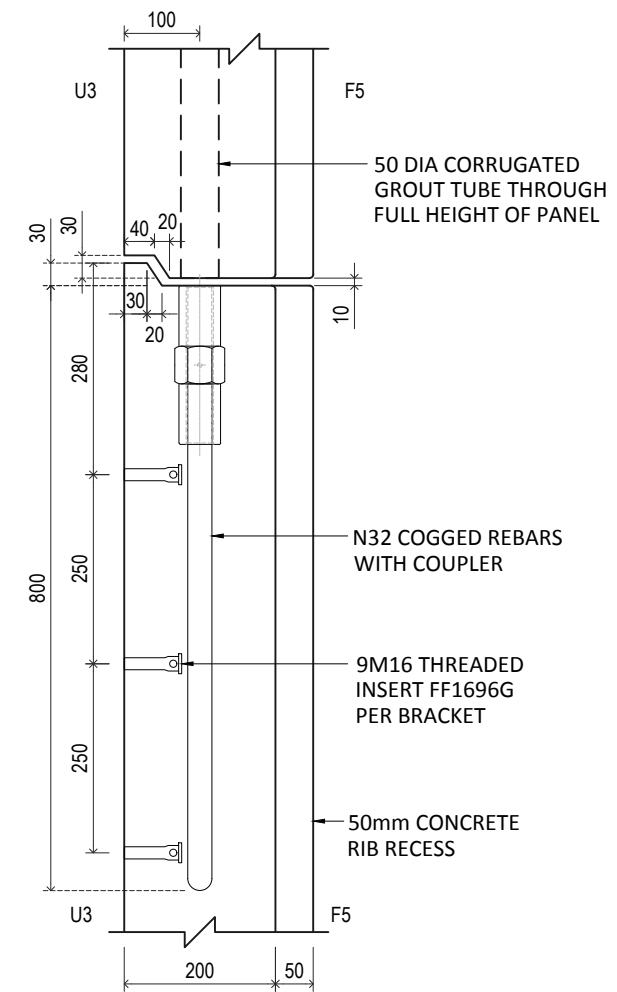


DETAIL-7
SCALE - 1:10

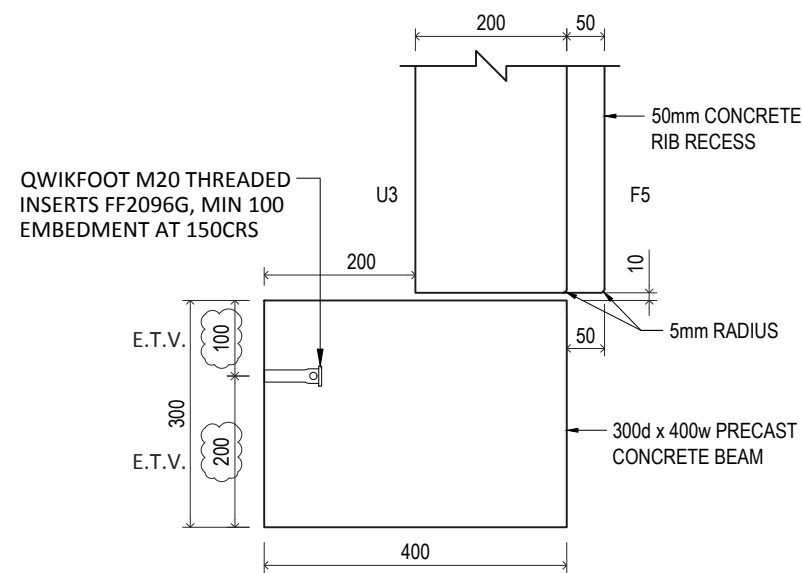


FOR PRECAST FIN CONNECTION WITH PANEL REFER DETAIL-14

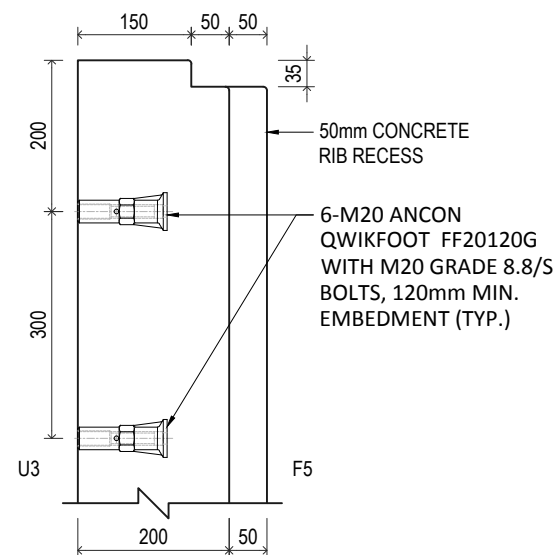
DETAIL-8
SCALE - 1:10



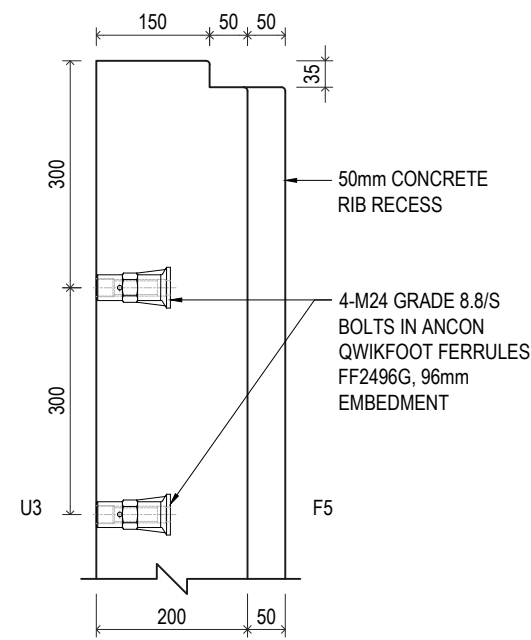
DETAIL-9
SCALE - 1:10



DETAIL-10
SCALE - 1:10



DETAIL-11
SCALE - 1:10



DETAIL-12
SCALE - 1:10

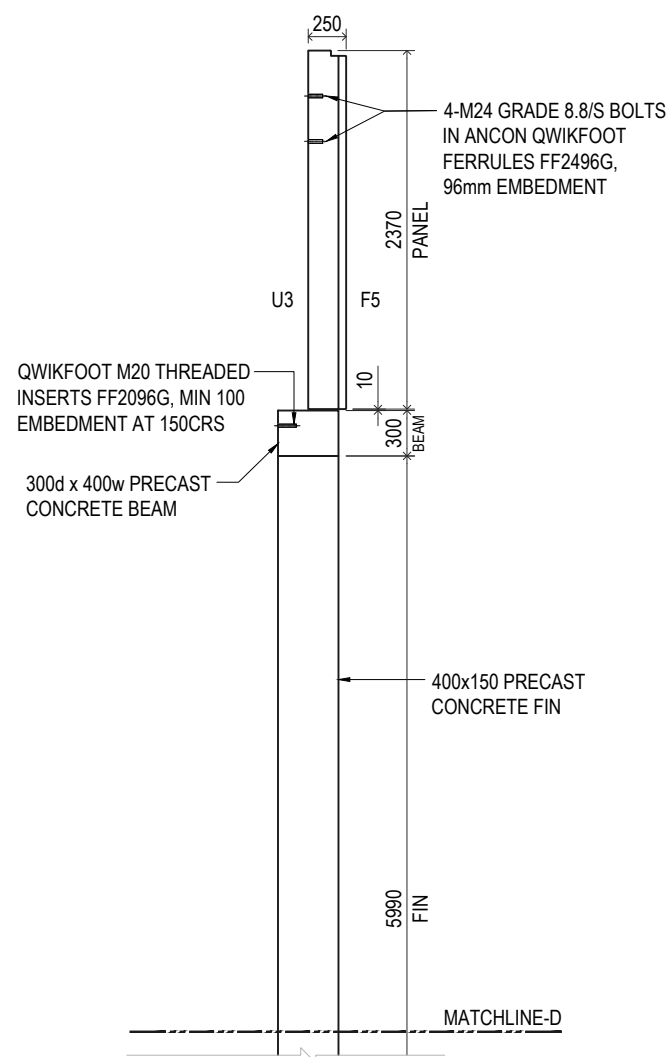
U3 - INNER FACE
F5 - OUTER FACE

E.T.V. - ENGINEER TO VERIFY

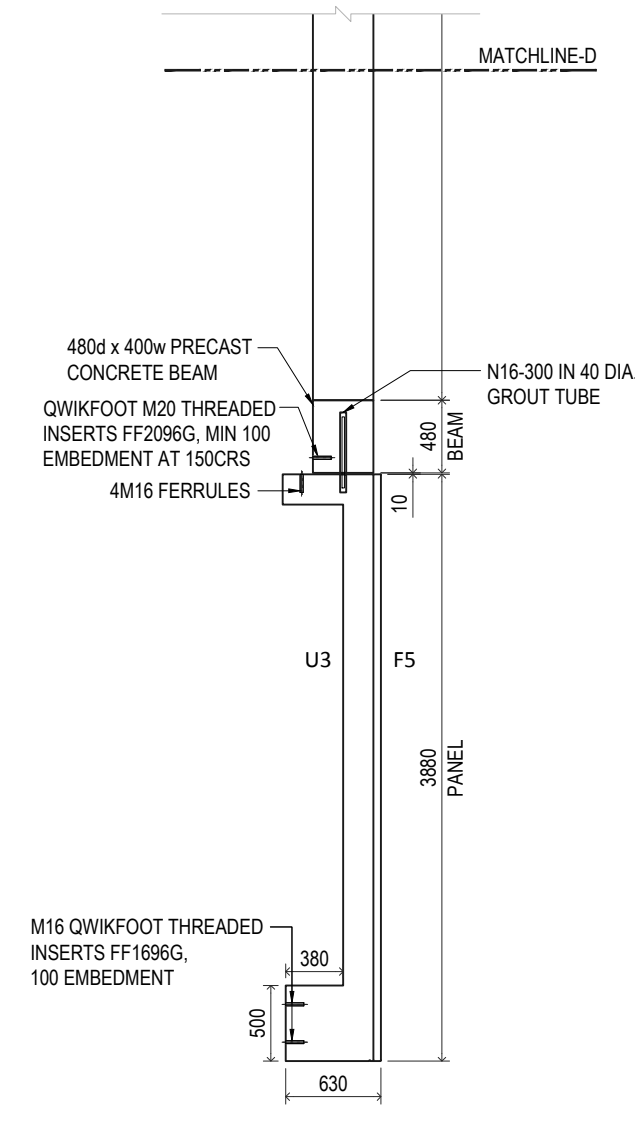
100mm AT FULL SIZE

<table border="1"> <tr> <th>REV.</th> <th>BY</th> <th>DATE</th> <th>DESCRIPTION</th> <th>APPD.</th> </tr> <tr> <td>F</td> <td>NG</td> <td>08/08/23</td> <td>PANEL SE-19 ADDED</td> <td></td> </tr> <tr> <td>E</td> <td>VR</td> <td>27/06/23</td> <td>REVISED AS MARKED</td> <td></td> </tr> <tr> <td>D</td> <td>NG</td> <td>20/01/23</td> <td>REVISED AS PER COMMENTS</td> <td></td> </tr> <tr> <td>C</td> <td>VR</td> <td>01/08/22</td> <td>REVISED AS PER COMMENTS</td> <td></td> </tr> <tr> <td>B</td> <td>VR</td> <td>12/07/22</td> <td>ISSUED FOR APPROVAL</td> <td></td> </tr> <tr> <td>A</td> <td>VR</td> <td>21/05/22</td> <td>ISSUED FOR REVIEW</td> <td></td> </tr> </table>				REV.	BY	DATE	DESCRIPTION	APPD.	F	NG	08/08/23	PANEL SE-19 ADDED		E	VR	27/06/23	REVISED AS MARKED		D	NG	20/01/23	REVISED AS PER COMMENTS		C	VR	01/08/22	REVISED AS PER COMMENTS		B	VR	12/07/22	ISSUED FOR APPROVAL		A	VR	21/05/22	ISSUED FOR REVIEW		<p>SCALES</p>		<p>CLIENT</p>		<p>The information shown on this drawing is for the purposes of the Sydney Metro Project only. No warranty is given or implied as to its suitability for any other purpose. The Service Providers accept no liability arising from the use of this drawing and the information shown thereon for any purpose other than the Sydney Metro Project.</p>		<p>SYDNEY METRO WATERLOO STATION PRECAST PRECAST PANEL DETAILS SOUTH BUILDING (EAST)</p>	
REV.	BY	DATE	DESCRIPTION	APPD.																																										
F	NG	08/08/23	PANEL SE-19 ADDED																																											
E	VR	27/06/23	REVISED AS MARKED																																											
D	NG	20/01/23	REVISED AS PER COMMENTS																																											
C	VR	01/08/22	REVISED AS PER COMMENTS																																											
B	VR	12/07/22	ISSUED FOR APPROVAL																																											
A	VR	21/05/22	ISSUED FOR REVIEW																																											
<p>A3 Original Co-ordinate System: MGA Zone 56 Height Datum: A.H.D. This sheet may be prepared using colour and may be incomplete if copied</p>					<p>NOTE: Do not scale from this drawing.</p>		<p>ALT. DRG No.</p>		<p>STATUS: ISSUED FOR APPROVAL SHEET 5 OF 6</p>																																					
							<p>SERVICE PROVIDERS</p>		<p>DRG No. SMCSWSWL-FUS-SWL-PT-SHP-700005</p>																																					
							<p>DRAWN: VR</p>		<p>REV. F</p>																																					
							<p>DESIGNED: _____</p>																																							
							<p>DRG CHECK: HP</p>																																							
							<p>DESIGN CHECK: _____</p>																																							
							<p>APPROVED: _____</p>																																							

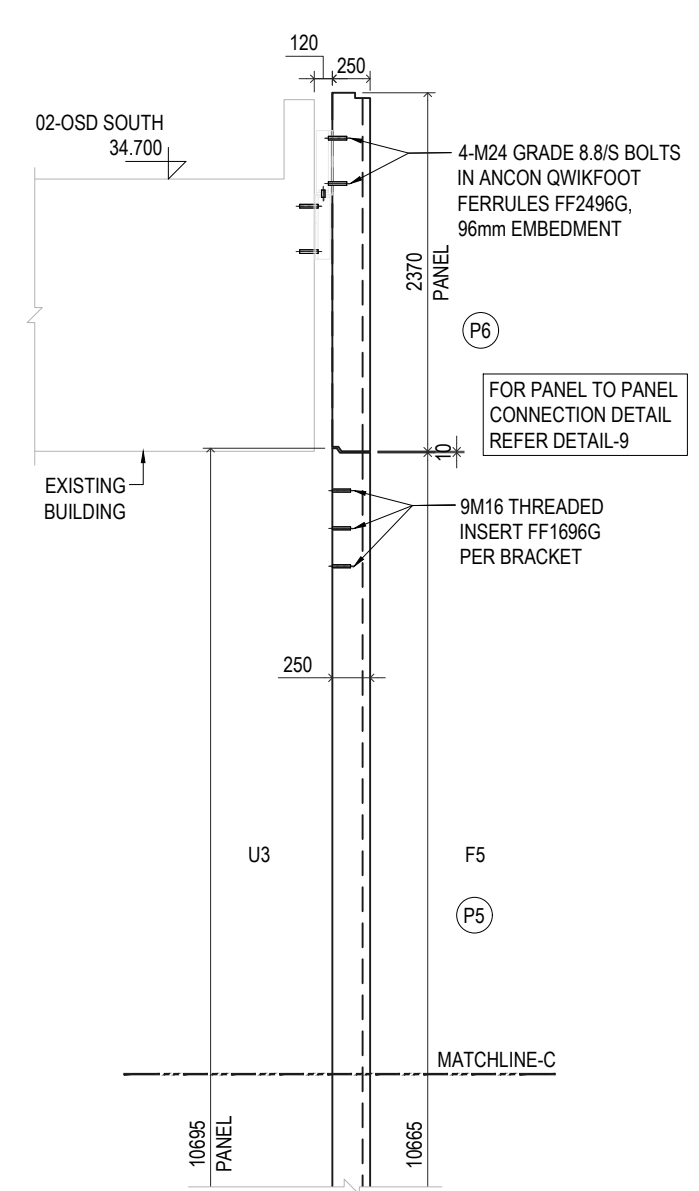
100mm AT FULL SIZE



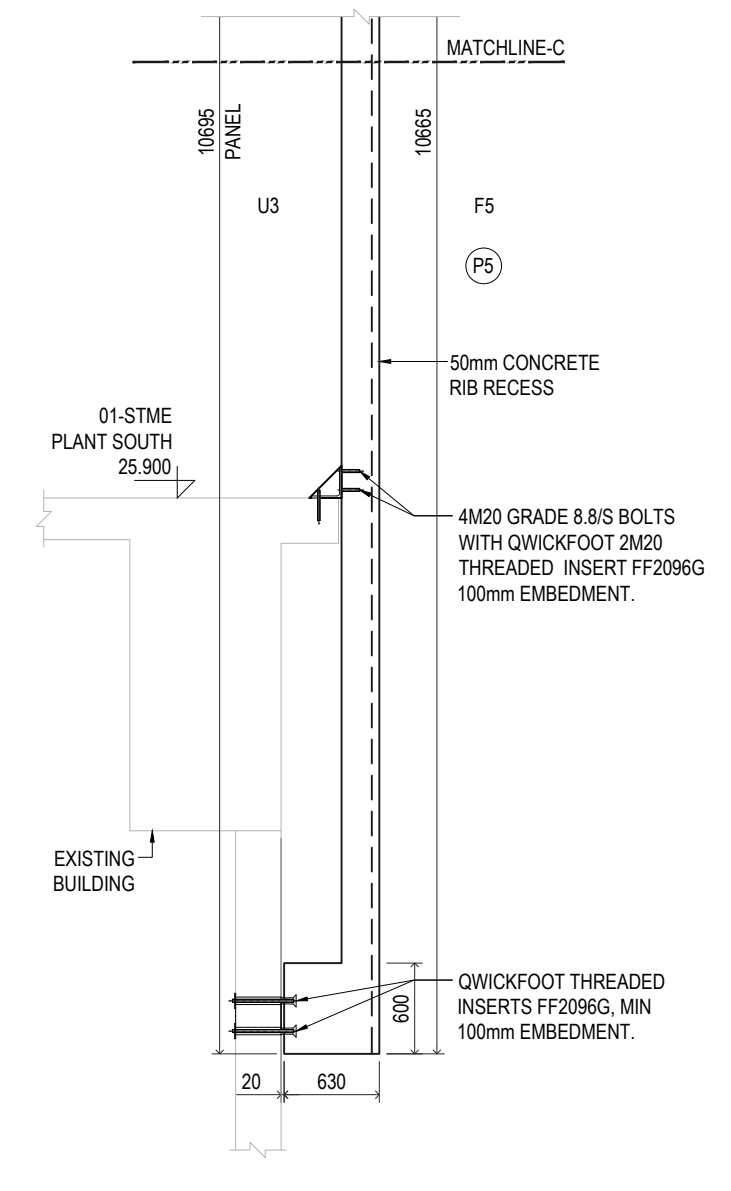
DETAIL-14
SCALE - 1:50



DETAIL-14
SCALE - 1:50



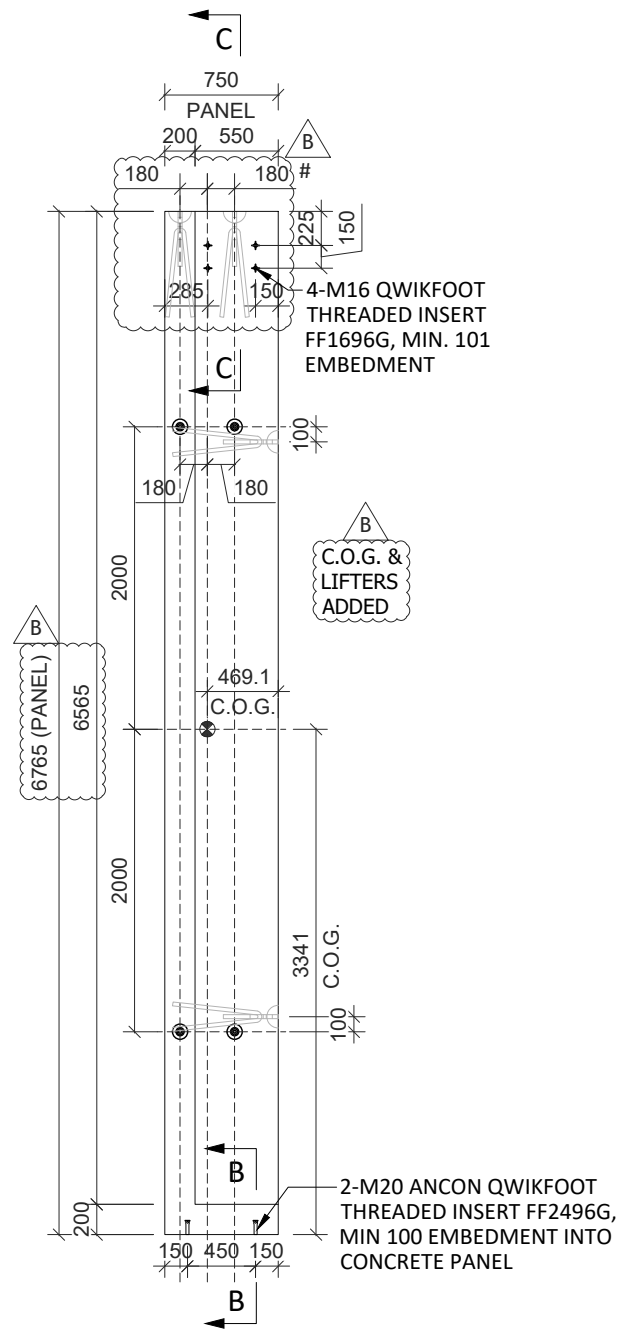
DETAIL-15
SCALE - 1:50



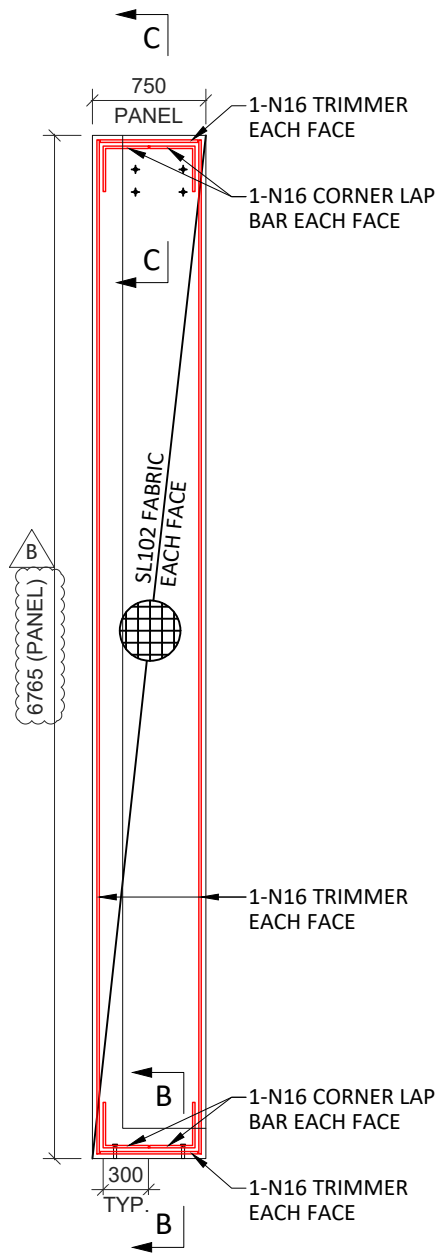
DETAIL-15
SCALE - 1:50

U3 - INNER FACE
F5 - OUTER FACE

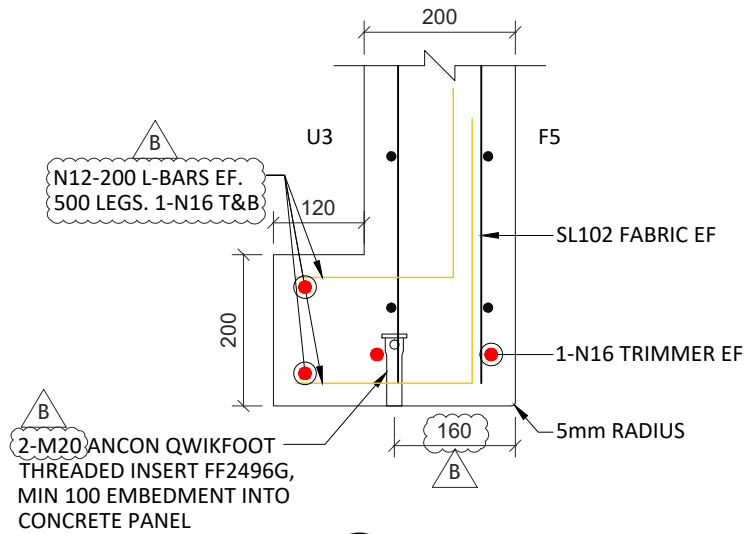
<table border="1"> <tr> <th>REV.</th> <th>BY</th> <th>DATE</th> <th>DESCRIPTION</th> <th>APPD.</th> </tr> <tr> <td>F</td> <td>NG</td> <td>08/08/23</td> <td>PANEL SE-19 ADDED</td> <td></td> </tr> <tr> <td>E</td> <td>VR</td> <td>27/06/23</td> <td>REVISED AS MARKED</td> <td></td> </tr> <tr> <td>D</td> <td>NG</td> <td>20/01/23</td> <td>REVISED AS PER COMMENTS</td> <td></td> </tr> <tr> <td>C</td> <td>NG</td> <td>20/01/23</td> <td>REVISED AS PER COMMENTS</td> <td></td> </tr> <tr> <td>B</td> <td>VR</td> <td>01/08/22</td> <td>REVISED AS PER COMMENTS</td> <td></td> </tr> <tr> <td>A</td> <td>VR</td> <td>12/07/22</td> <td>ISSUED FOR APPROVAL</td> <td></td> </tr> </table>				REV.	BY	DATE	DESCRIPTION	APPD.	F	NG	08/08/23	PANEL SE-19 ADDED		E	VR	27/06/23	REVISED AS MARKED		D	NG	20/01/23	REVISED AS PER COMMENTS		C	NG	20/01/23	REVISED AS PER COMMENTS		B	VR	01/08/22	REVISED AS PER COMMENTS		A	VR	12/07/22	ISSUED FOR APPROVAL		<p>SCALES</p>		<p>CLIENT</p>		<p>The information shown on this drawing is for the purposes of the Sydney Metro Project only. No warranty is given or implied as to its suitability for any other purpose. The Service Providers accept no liability arising from the use of this drawing and the information shown thereon for any purpose other than the Sydney Metro Project.</p>		<p>SYDNEY METRO WATERLOO STATION PRECAST PRECAST PANEL DETAILS SOUTH BUILDING (EAST)</p>	
REV.	BY	DATE	DESCRIPTION	APPD.																																										
F	NG	08/08/23	PANEL SE-19 ADDED																																											
E	VR	27/06/23	REVISED AS MARKED																																											
D	NG	20/01/23	REVISED AS PER COMMENTS																																											
C	NG	20/01/23	REVISED AS PER COMMENTS																																											
B	VR	01/08/22	REVISED AS PER COMMENTS																																											
A	VR	12/07/22	ISSUED FOR APPROVAL																																											
<p>A3 Original Co-ordinate System: MGA Zone 56 Height Datum: A.H.D. This sheet may be prepared using colour and may be incomplete if copied</p>				<p>NOTE: Do not scale from this drawing.</p>		<p>ALT. DRG No.</p>		<p>STATUS: ISSUED FOR APPROVAL SHEET 6 OF 6 ©</p>																																						
						<p>SERVICE PROVIDERS</p>		<p>DRG No. SMCSWSWL-FUS-SWL-PT-SHP-700006 REV. F</p>																																						
						<p>DRAWN: VR</p>																																								
						<p>DESIGNED: -</p>																																								
						<p>DRG CHECK: HP</p>																																								
						<p>DESIGN CHECK: -</p>																																								
						<p>APPROVED: -</p>																																								



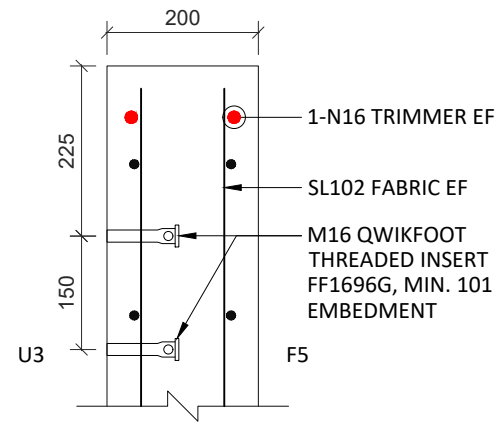
CONCRETE - ELEVATION PLAN AS CAST REAR FACE
SCALE :- 1:50



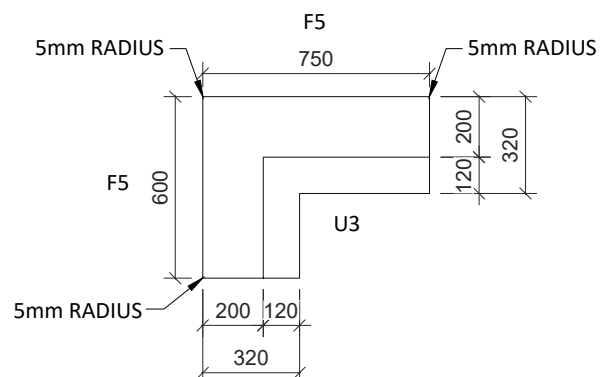
SECTION A-A REINFORCEMENT PLAN AS CAST REAR FACE
SCALE :- 1:50



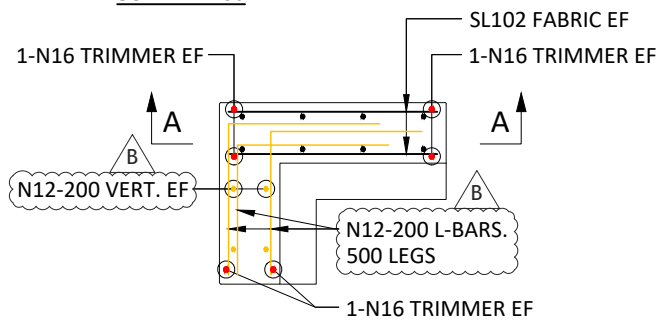
SECTION B
Scale: 1:10



SECTION C
Scale: 1:10



CONCRETE - PLAN
SCALE :- 1:25



REINFORCEMENT - PLAN
SCALE :- 1:25

INSPECTION & TEST PLAN	
INSPECTED BY	
NAME OF FABRICATOR	
UNIT NO.	
CAST DATE	
CAST TIME	
CONCRETE DOCKET NO.	
CONCRETE SPECIF. (MPa)	
ITEM	FABRICATOR APPROVED INITIAL Y / N
MOULD CLEANLINESS	
RELEASE OIL	
DIMENSIONS	
FORMWORK FIXED	
OPENING / REBATES CORRECT & POSITION	
HOLD POINT	
REINFORCING CORRECT	
LAPS & SPLICES CORRECT	
SPACING & COVER CORRECT	
HOLD POINT	
LIFTERS POSITIONED CORRECTLY	
CAST - IN ITEMS	
STARTERS, LACING BARS	
APPROVED FOR CASTING	
POST POUR INSPECTION	
INSPECTED BY	
DATE	
ITEM	APPROVED Y / N
SWIFTLIFTS POSITION	
SWIFTLIFTS RECESS CLEANED	
CAST-IN ITEMS CLEANED	
CONCRETE FINISH	
LABELLED (NUMBER / DATED)	
DAMAGE (CRACKS / CHIPPING)	
CLEANLINESS	
ANY ACTION REQUIRED:	
APPROVED FOR DISPATCH	

- AS SILICON DON'T HAVE JH-RFS-001050 WE HAVE MARKED CLOUD ON DETAIL. PLEASE REFER JH-RFS-001050 AND AMEND THE FERRULE POSITION BEFORE CASTING.

E.T.V. COVER

U3 - INNER FACE
F5 - OUTER FACE

E.T.V. - ENGINEER TO VERIFY

N40	ALL EDGE LIFTERS - EdjPro EPHIMax
N32	+N16 HANGER BAR
N25	TOTAL CUT LENGTH= 1180mm
N20	+N16 TRIMMER BAR PERIMETER BAR
N16	ALL FACE LIFTERS - CA05120
N12	PLEASE NOTE UNIT WILL NOT BE TOTALLY VERTICAL AT FINAL INSTALLATION BECAUSE OF ECCENTRICITY.
N10	

30cvr TO ALL EDGES & FACES (UNO)	
REBAR GRADE : D500N	
Area (m ²)	7.95
Vol (m ³)	1.58
Wt. (t)	3.94
MPa	50MPa Category B2
FINISH	Anti Graffiti Coating
NO: OFF	1

100mm AT FULL SIZE

REV.	BY	DATE	DESCRIPTION	APPD.
B	VR	07/01/23	REVISED AS PER COMMENTS	
A	VR	23/07/22	ISSUED FOR APPROVAL	

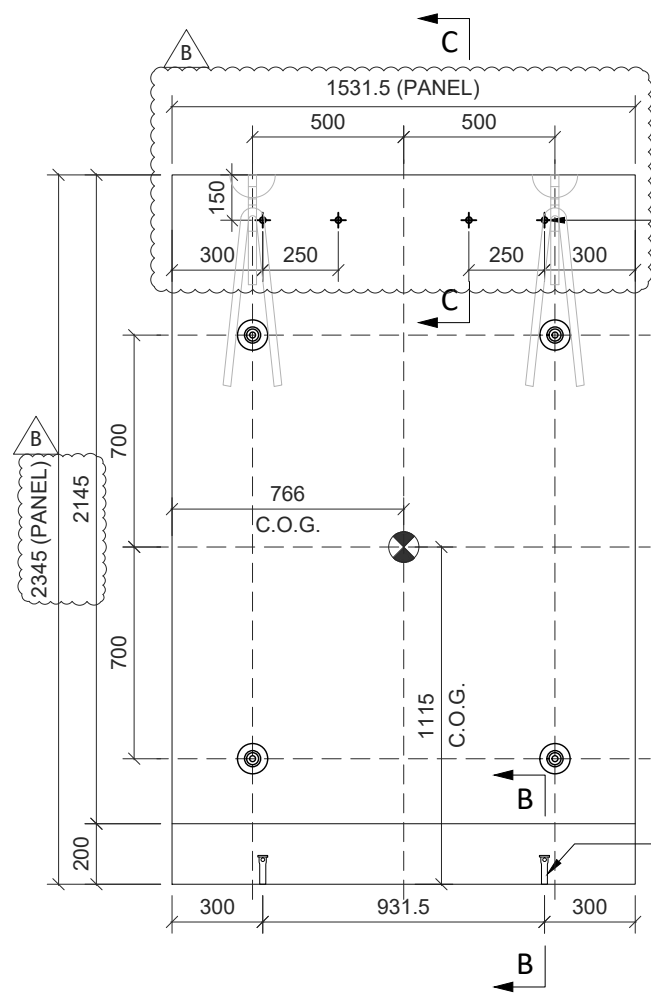
SCALES

CLIENT

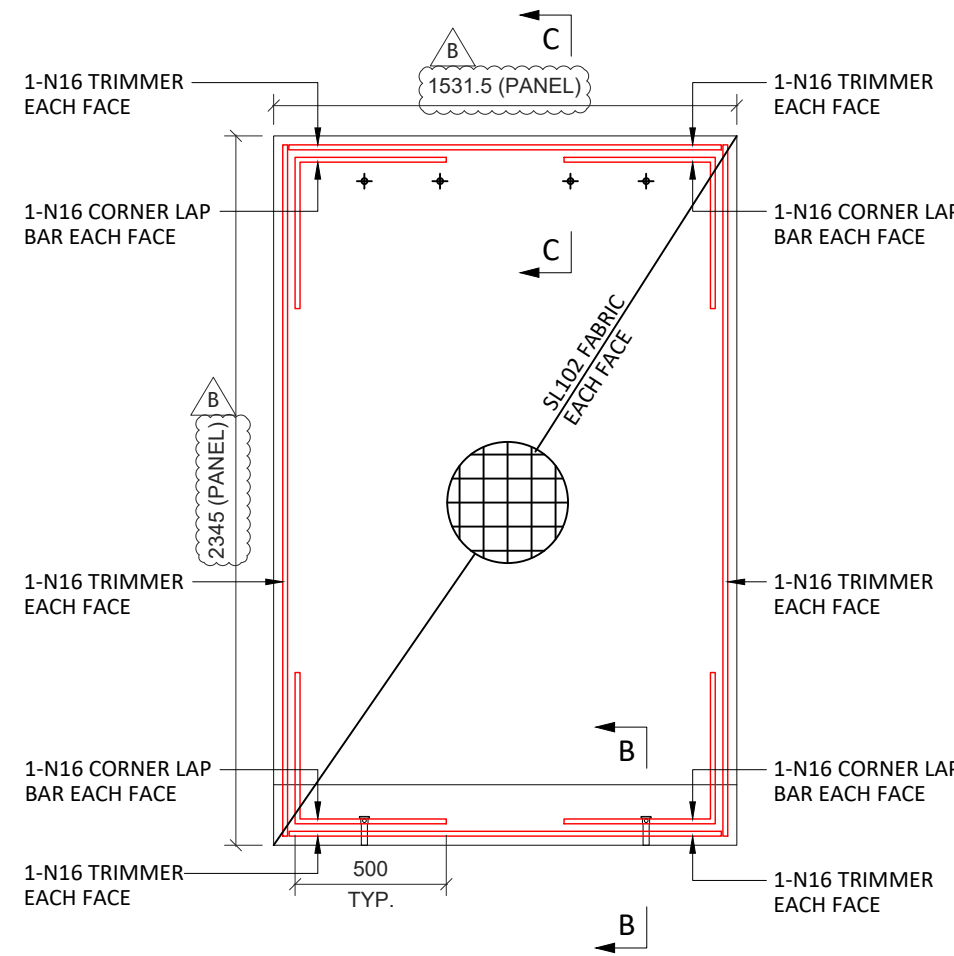
SERVICE PROVIDERS

SYDNEY METRO
WATERLOO STATION PRECAST SE-01 PRECAST PANEL SHOP DRAWING (TYPE-P7)

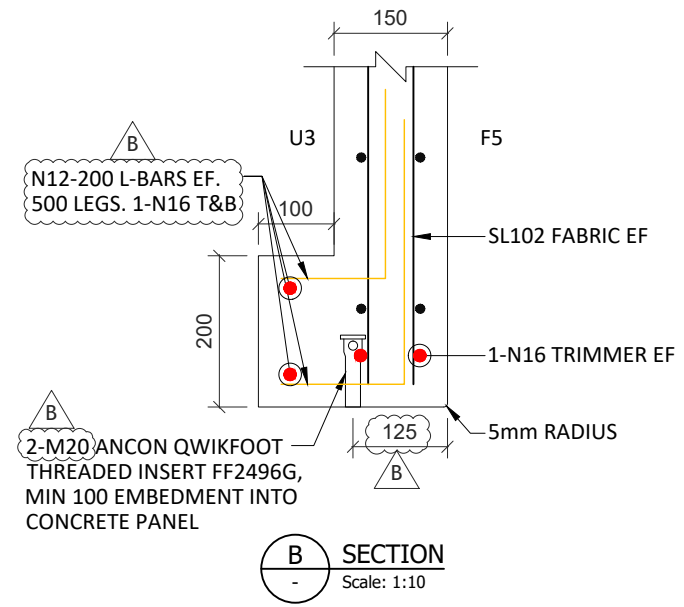
DRG No. SMCSWSWL-FUS-SWL-PT-SHP-703001	SHEET 1 OF 1	REV. B
--	--------------	--------



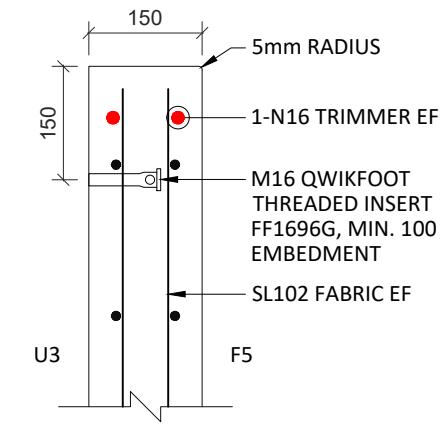
CONCRETE - ELEVATION PLAN AS CAST REAR FACE
SCALE :- 1:25



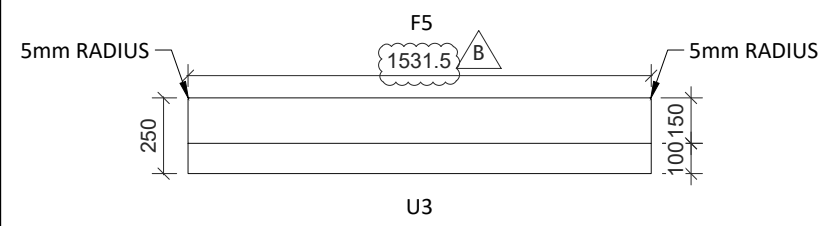
SECTION A-A REINFORCEMENT PLAN AS CAST REAR FACE
SCALE :- 1:25



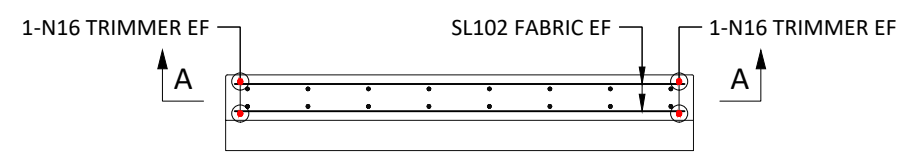
B SECTION
Scale: 1:10



C SECTION
Scale: 1:10



CONCRETE - PLAN
SCALE :- 1:25



REINFORCEMENT - PLAN
SCALE :- 1:25

Legend:

- N40
- N32
- N25
- N20
- N16
- N12
- N10

ALL EDGE LIFTERS - EdjPro EPHIMax +N16 HANGER BAR
TOTAL CUT LENGTH= 1180mm
+N16 TRIMMER BAR PERIMETER BAR

ALL FACE LIFTERS - CA05120

PLEASE NOTE UNIT WILL NOT BE TOTALLY VERTICAL AT FINAL INSTALLATION BECAUSE OF ECCENTRICITY.

INSPECTION & TEST PLAN	
INSPECTED BY	
NAME OF FABRICATOR	
UNIT NO.	
CAST DATE	
CAST TIME	
CONCRETE DOCKET NO.	
CONCRETE SPECIF. (MPa)	

ITEM	FABRICATOR INITIAL	APPROVED Y / N
MOULD CLEANLINESS		
RELEASE OIL		
DIMENSIONS		
FORMWORK FIXED		
OPENING / REBATES CORRECT & POSITION		
HOLD POINT		
REINFORCING CORRECT		
LAPS & SPLICES CORRECT		
SPACING & COVER CORRECT		
HOLD POINT		
LIFTERS POSITIONED CORRECTLY		
CAST - IN ITEMS		
STARTERS, LACING BARS		
APPROVED FOR CASTING		

POST POUR INSPECTION	
INSPECTED BY	
DATE	

ITEM	APPROVED Y / N
SWIFTLIFTS POSITION	
SWIFTLIFTS RECESS CLEANED	
CAST-IN ITEMS CLEANED	
CONCRETE FINISH	
LABELLED (NUMBER / DATED)	
DAMAGE (CRACKS / CHIPPING)	
CLEANLINESS	
ANY ACTION REQUIRED:	
APPROVED FOR DISPATCH	

E.T.V. COVER
U3 - INNER FACE
F5 - OUTER FACE

E.T.V. - ENGINEER TO VERIFY

30cvr TO ALL EDGES & FACES (UNO)	
REBAR GRADE : D500N	
Area (m ²)	3.59
Vol (m ³)	0.57
Wt. (t)	1.42
MPa	50MPa Category B2
FINISH	Anti Graffiti Coating
NO: OFF	1

REV.	BY	DATE	DESCRIPTION	APPD.
B	VR	07/01/23	REVISED AS PER COMMENTS	
A	VR	23/07/22	ISSUED FOR APPROVAL	

SCALES	

CLIENT

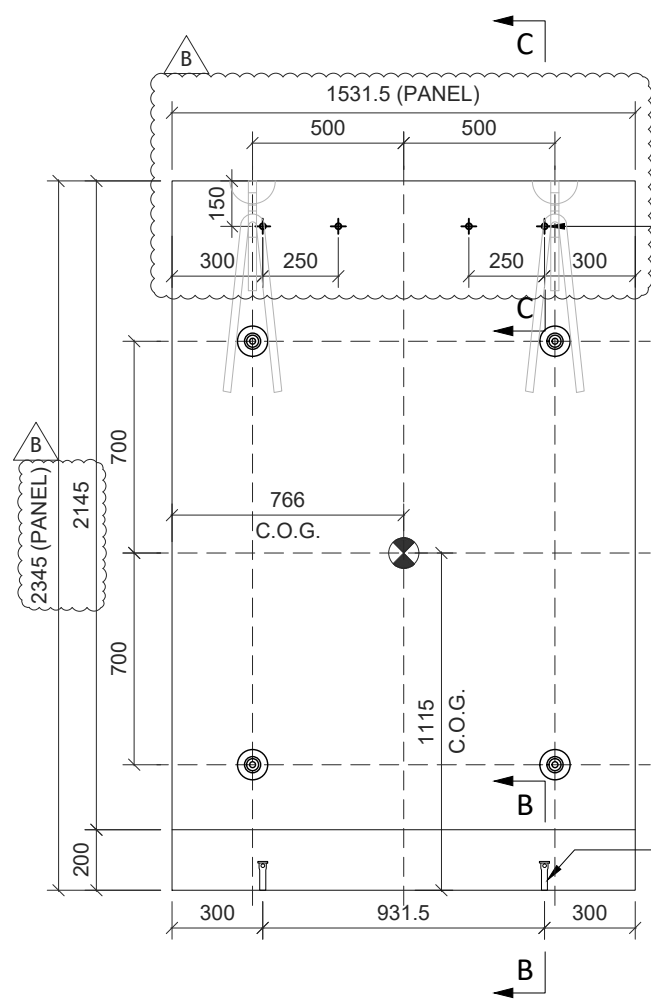
CLIENT

SERVICE PROVIDERS	
DRAWN	VR
DESIGNED	
DRG CHECK	HP
DESIGN CHECK	
APPROVED	

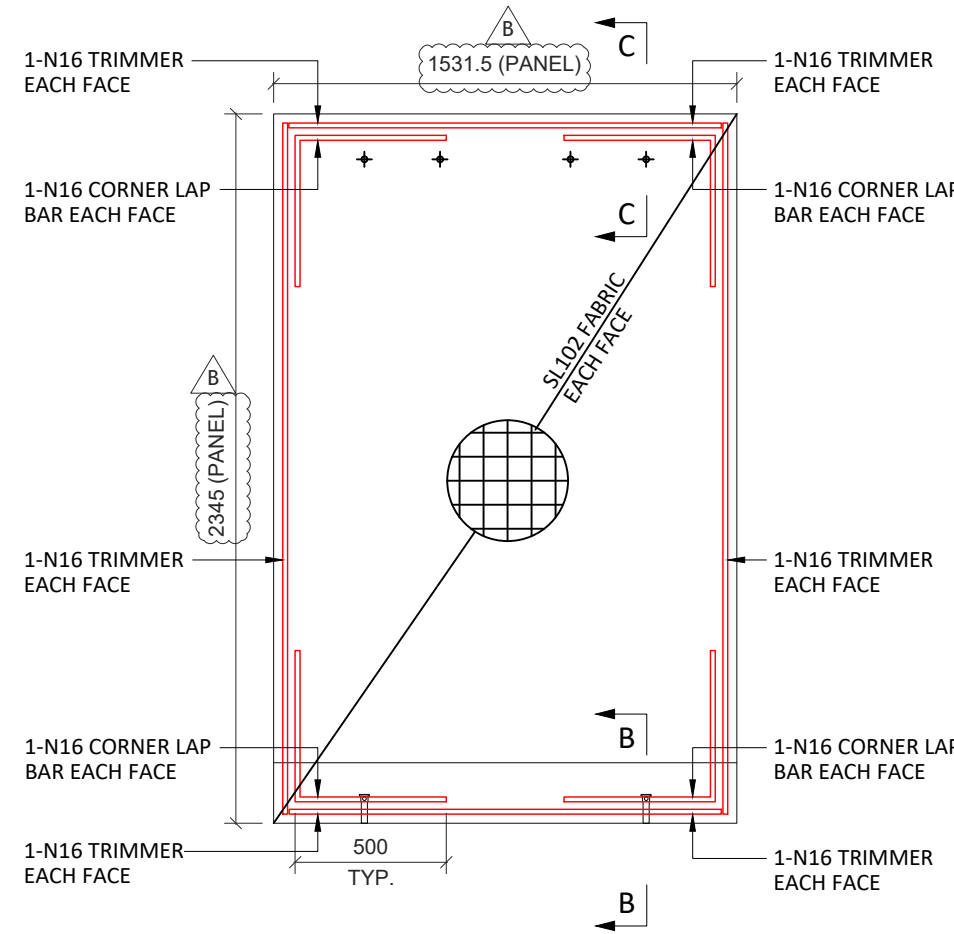
SYDNEY METRO
WATERLOO STATION
PRECAST
SE-02 PRECAST PANEL SHOP DRAWING
(TYPE-P9)

DRG No. SMCSWSWL-FUS-SWL-PT-SHP-703002

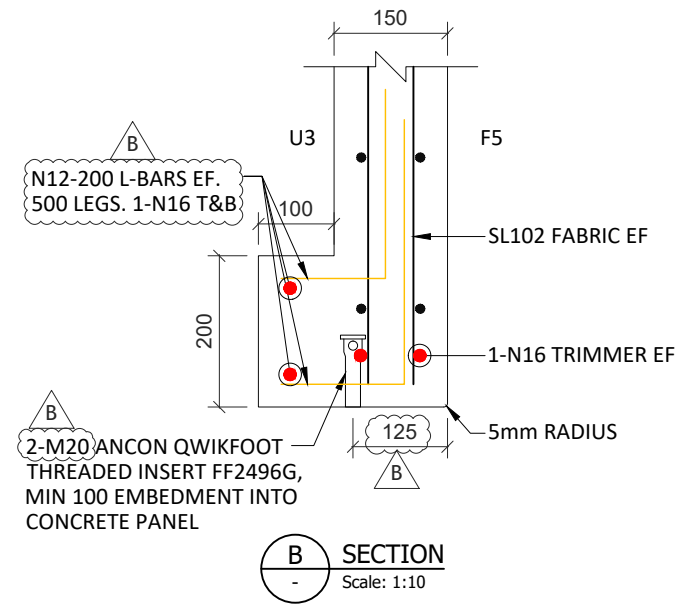
SHEET 1 OF 1



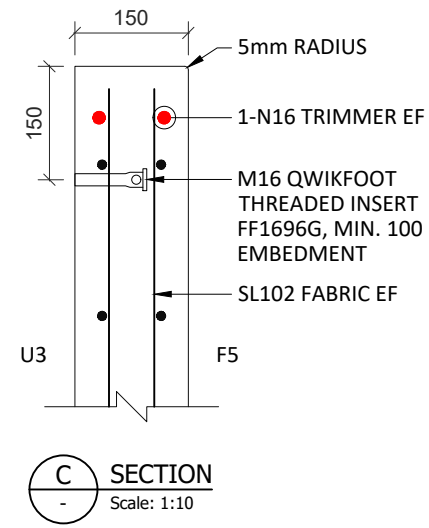
CONCRETE - ELEVATION PLAN AS CAST REAR FACE
SCALE :- 1:25



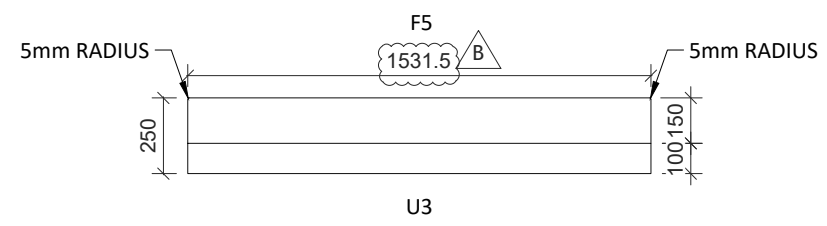
SECTION A-A REINFORCEMENT PLAN AS CAST REAR FACE
SCALE :- 1:25



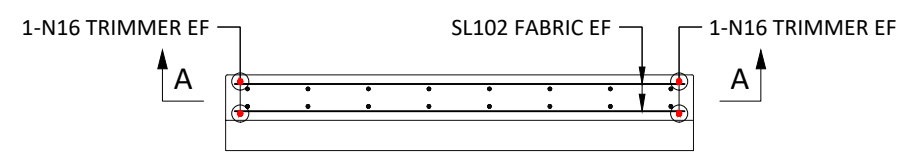
B SECTION
Scale: 1:10



C SECTION
Scale: 1:10



CONCRETE - PLAN
SCALE :- 1:25



REINFORCEMENT - PLAN
SCALE :- 1:25

LEGEND

- N40
- N32
- N25
- N20
- N16
- N12
- N10

ALL EDGE LIFTERS - EdjPro EPHIMax +N16 HANGER BAR
TOTAL CUT LENGTH= 1180mm
+N16 TRIMMER BAR PERIMETER BAR

ALL FACE LIFTERS - CA05120

PLEASE NOTE UNIT WILL NOT BE TOTALLY VERTICAL AT FINAL INSTALLATION BECAUSE OF ECCENTRICITY.

INSPECTION & TEST PLAN		
INSPECTED BY		
NAME OF FABRICATOR		
UNIT NO.		
CAST DATE		
CAST TIME		
CONCRETE DOCKET NO.		
CONCRETE SPECIF. (MPa)		
ITEM	FABRICATOR INITIAL	APPROVED Y / N
MOULD CLEANLINESS		
RELEASE OIL		
DIMENSIONS		
FORMWORK FIXED		
OPENING / REBATES CORRECT & POSITION		
HOLD POINT		
REINFORCING CORRECT		
LAPS & SPLICES CORRECT		
SPACING & COVER CORRECT		
HOLD POINT		
LIFTERS POSITIONED CORRECTLY		
CAST - IN ITEMS		
STARTERS, LACING BARS		
APPROVED FOR CASTING		
POST POUR INSPECTION		
INSPECTED BY		
DATE		
ITEM		APPROVED Y / N
SWIFTLIFTS POSITION		
SWIFTLIFTS RECESS CLEANED		
CAST-IN ITEMS CLEANED		
CONCRETE FINISH		
LABELLED (NUMBER / DATED)		
DAMAGE (CRACKS / CHIPPING)		
CLEANLINESS		
ANY ACTION REQUIRED:		
APPROVED FOR DISPATCH		

E.T.V. COVER

U3 - INNER FACE
F5 - OUTER FACE

E.T.V. - ENGINEER TO VERIFY

30cvr TO ALL EDGES & FACES (UNO)	
REBAR GRADE : D500N	
Area (m ²)	3.59
Vol (m ³)	0.57
Wt. (t)	1.42
MPa	50MPa Category B2
FINISH	Anti Graffiti Coating
NO: OFF	1

REV.	BY	DATE	DESCRIPTION	APPD.
B	VR	07/01/23	REVISED AS PER COMMENTS	
A	VR	23/07/22	ISSUED FOR APPROVAL	

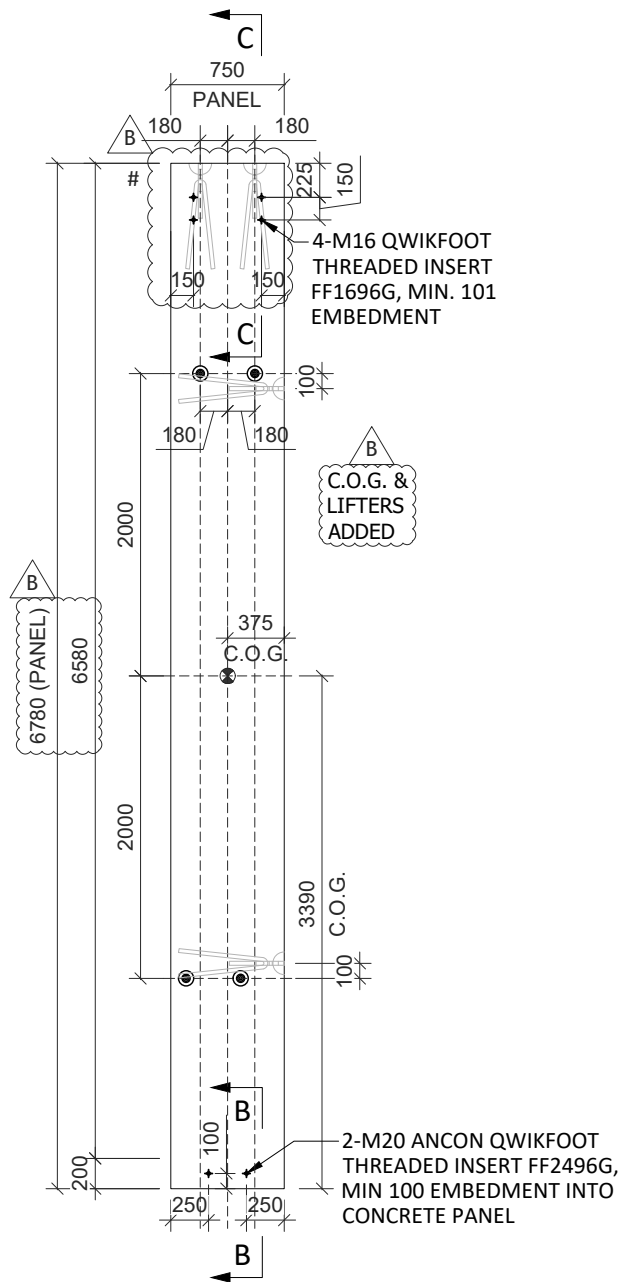
SCALES	

CLIENT	

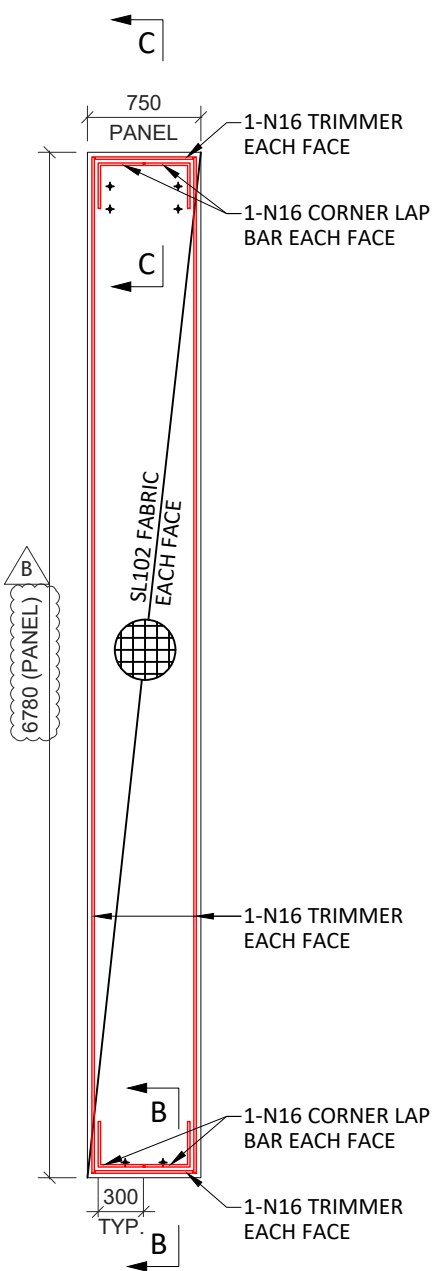
SERVICE PROVIDERS	

SYDNEY METRO	
DRAWN	VR
DESIGNED	
DRG CHECK	HP
DESIGN CHECK	
APPROVED	

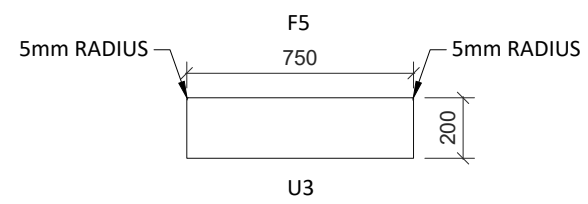
SYDNEY METRO	
WATERLOO STATION	
PRECAST	
SE-03 PRECAST PANEL SHOP DRAWING (TYPE-P9)	
DRG No.	SMCSWSWL-FUS-SWL-PT-SHP-703003
SHEET 1 OF 1	©
REV.	B



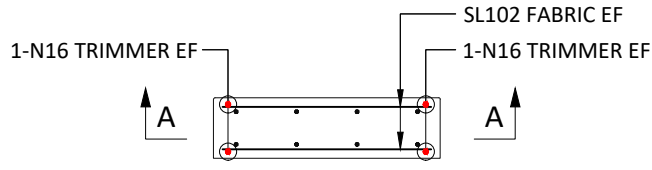
CONCRETE - ELEVATION PLAN AS CAST REAR FACE
SCALE :- 1:50



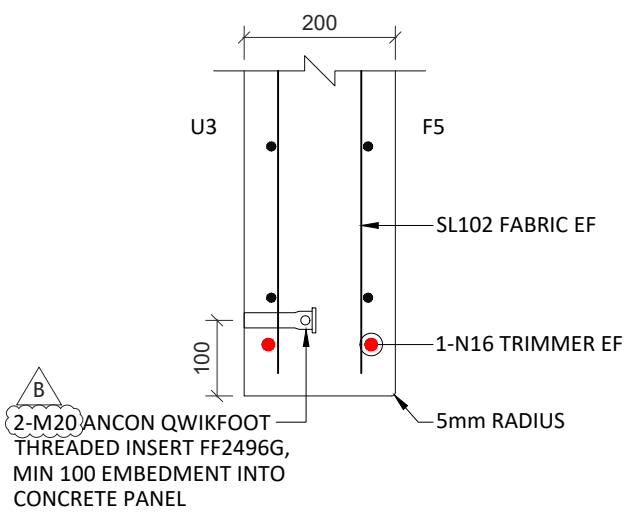
SECTION A-A REINFORCEMENT PLAN AS CAST REAR FACE
SCALE :- 1:50



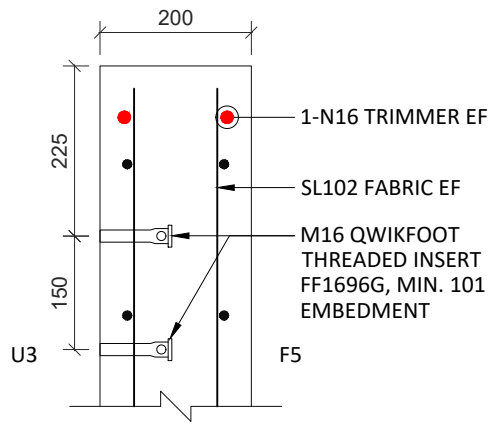
CONCRETE - PLAN
SCALE :- 1:25



REINFORCEMENT - PLAN
SCALE :- 1:25



SECTION B
Scale: 1:10



SECTION C
Scale: 1:10

INSPECTION & TEST PLAN		
INSPECTED BY		
NAME OF FABRICATOR		
UNIT NO.		
CAST DATE		
CAST TIME		
CONCRETE DOCKET NO.		
CONCRETE SPECIF. (MPa)		
ITEM	FABRICATOR INITIAL	APPROVED Y / N
MOULD CLEANLINESS		
RELEASE OIL		
DIMENSIONS		
FORMWORK FIXED		
OPENING / REBATES CORRECT & POSITION		
HOLD POINT		
REINFORCING CORRECT		
LAPS & SPLICES CORRECT		
SPACING & COVER CORRECT		
HOLD POINT		
LIFTERS POSITIONED CORRECTLY		
CAST - IN ITEMS		
STARTERS, LACING BARS		
APPROVED FOR CASTING		
POST POUR INSPECTION		
INSPECTED BY		
DATE		
ITEM		APPROVED Y / N
SWIFTLIFTS POSITION		
SWIFTLIFTS RECESS CLEANED		
CAST-IN ITEMS CLEANED		
CONCRETE FINISH		
LABELLED (NUMBER / DATED)		
DAMAGE (CRACKS / CHIPPING)		
CLEANLINESS		
ANY ACTION REQUIRED:		
APPROVED FOR DISPATCH		

- AS SILICON DON'T HAVE JH-RFS-001050 WE HAVE MARKED CLOUD ON DETAIL. PLEASE REFER JH-RFS-001050 AND AMEND THE FERRULE POSITION BEFORE CASTING.

E.T.V. COVER
U3 - INNER FACE
F5 - OUTER FACE

ALL EDGE LIFTERS - EdjPro EPHIMax
+N16 HANGER BAR
TOTAL CUT LENGTH= 1180mm
+N16 TRIMMER BAR PERIMETER BAR

ALL FACE LIFTERS - CA05120

PLEASE NOTE UNIT WILL NOT BE TOTALLY VERTICAL AT FINAL INSTALLATION BECAUSE OF ECCENTRICITY.

E.T.V. - ENGINEER TO VERIFY

30cvr TO ALL EDGES & FACES (UNO)	
REBAR GRADE : D500N	
Area (m ²)	5.09
Vol (m ³)	1.02
Wt. (t)	2.54
MPa	50MPa Category B2
FINISH	Anti Graffiti Coating
NO: OFF	1

REV.	BY	DATE	DESCRIPTION	APPD.
B	VR	07/01/23	REVISED AS PER COMMENTS	
A	VR	23/07/22	ISSUED FOR APPROVAL	

SCALES

NOTE: Do not scale from this drawing.

CLIENT

Service Providers

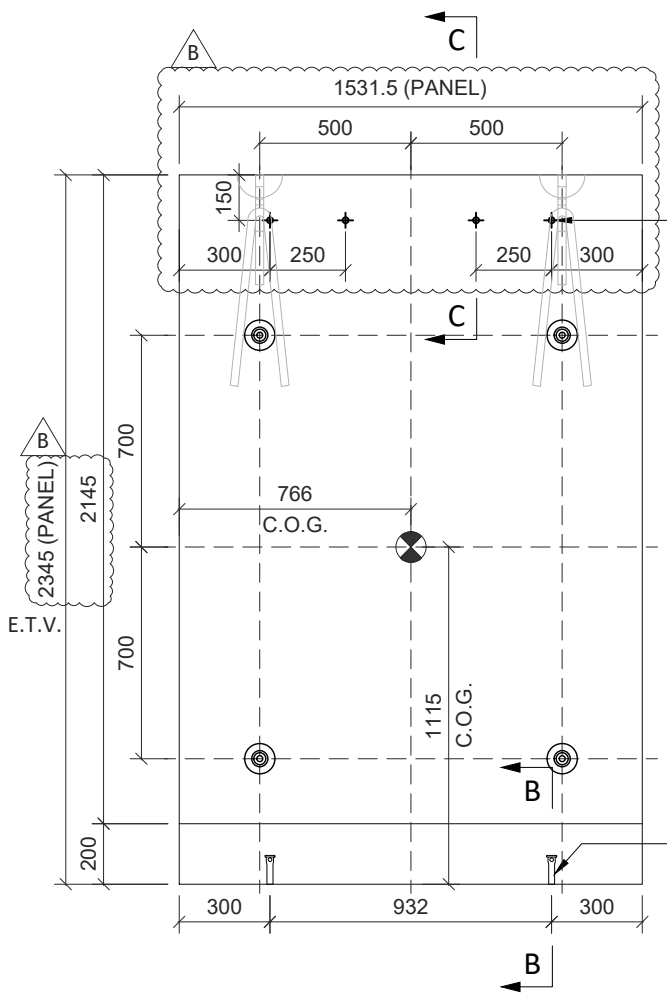
DRAWN: VR
DESIGNED: _____
DRG CHECK: HP
DESIGN CHECK: _____
APPROVED: _____

SYDNEY METRO
WATERLOO STATION
PRECAST
SE-04 PRECAST PANEL SHOP DRAWING
(TYPE-P7)

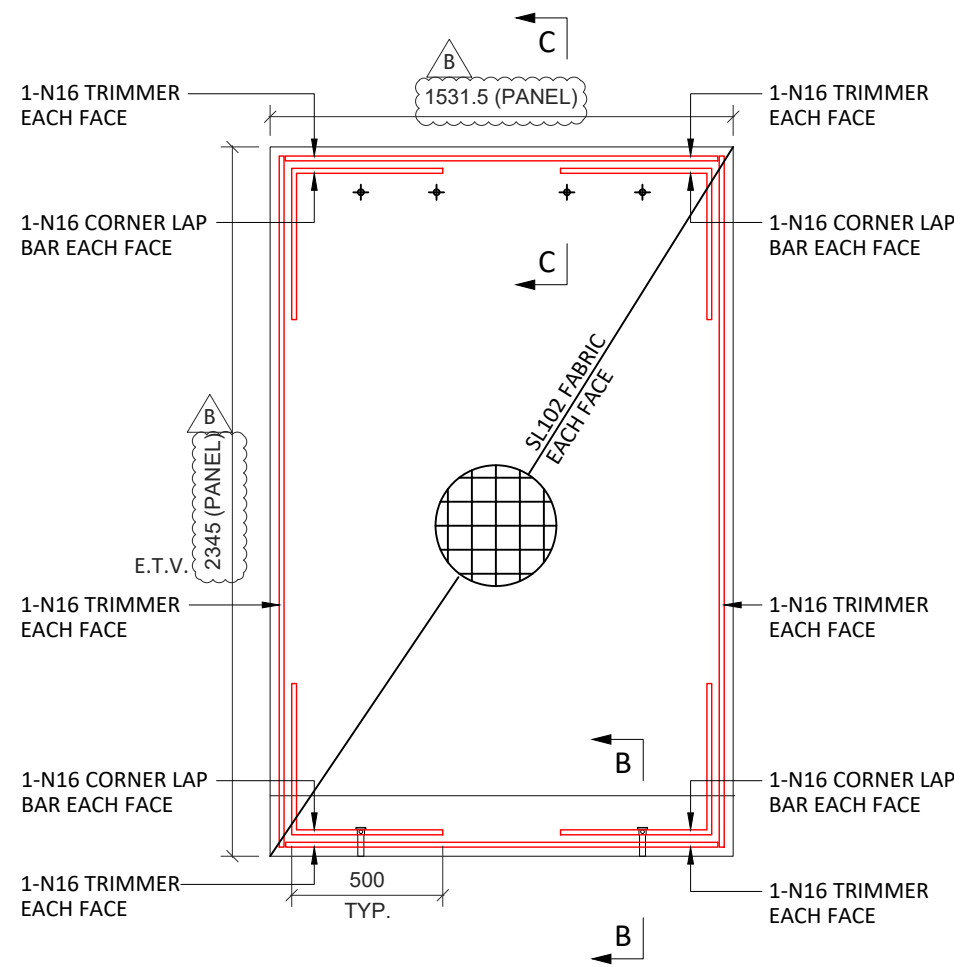
DRG No. SMCSWSWL-FUS-SWL-PT-SHP-703004

SHEET 1 OF 1

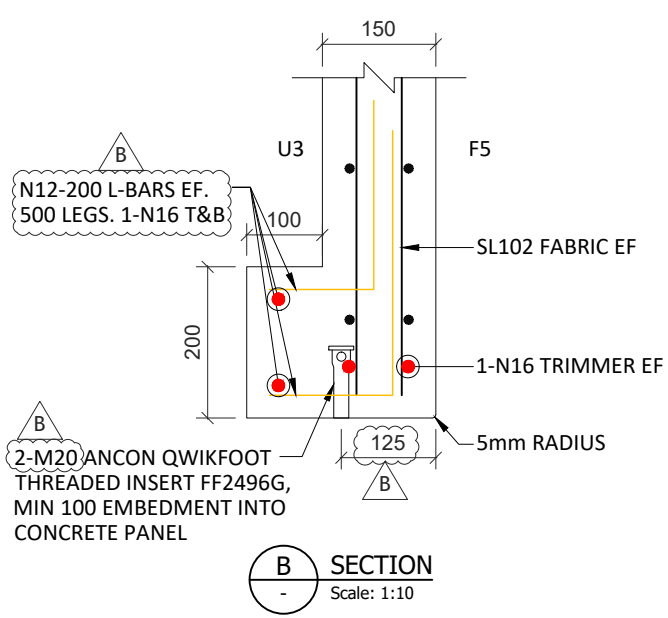
100mm AT FULL SIZE



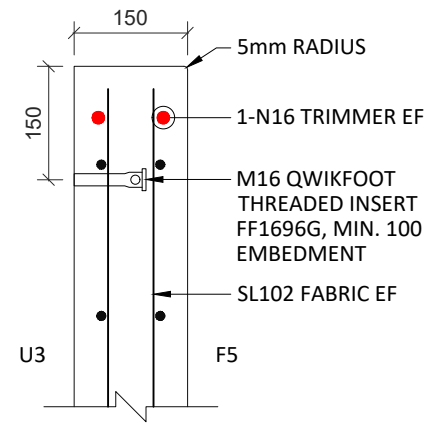
CONCRETE - ELEVATION PLAN AS CAST REAR FACE
SCALE :- 1:25



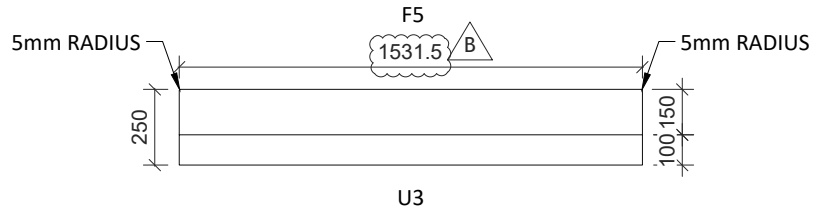
SECTION A-A REINFORCEMENT PLAN AS CAST REAR FACE
SCALE :- 1:25



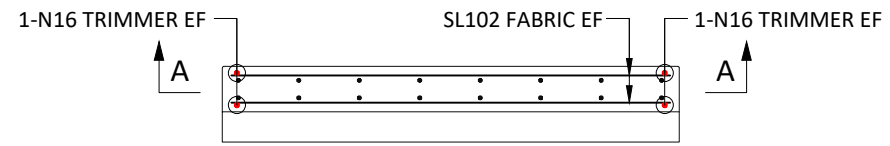
B SECTION
Scale: 1:10



C SECTION
Scale: 1:10



CONCRETE - PLAN
SCALE :- 1:25



REINFORCEMENT - PLAN
SCALE :- 1:25

INSPECTION & TEST PLAN		
INSPECTED BY		
NAME OF FABRICATOR		
UNIT NO.		
CAST DATE		
CAST TIME		
CONCRETE DOCKET NO.		
CONCRETE SPECIF. (MPa)		
ITEM	FABRICATOR INITIAL	APPROVED Y / N
MOULD CLEANLINESS		
RELEASE OIL		
DIMENSIONS		
FORMWORK FIXED		
OPENING / REBATES CORRECT & POSITION		
HOLD POINT		
REINFORCING CORRECT		
LAPS & SPLICES CORRECT		
SPACING & COVER CORRECT		
HOLD POINT		
LIFTERS POSITIONED CORRECTLY		
CAST - IN ITEMS		
STARTERS, LACING BARS		
APPROVED FOR CASTING		
POST POUR INSPECTION		
INSPECTED BY		
DATE		
ITEM		APPROVED Y / N
SWIFTLIFTS POSITION		
SWIFTLIFTS RECESS CLEANED		
CAST-IN ITEMS CLEANED		
CONCRETE FINISH		
LABELLED (NUMBER / DATED)		
DAMAGE (CRACKS / CHIPPING)		
CLEANLINESS		
ANY ACTION REQUIRED:		
APPROVED FOR DISPATCH		

E.T.V. COVER

U3 - INNER FACE
F5 - OUTER FACE

E.T.V. - ENGINEER TO VERIFY

Legend:

- N40
- N32
- N25
- N20
- N16
- N12
- N10

ALL EDGE LIFTERS - EdjPro EPHIMax +N16 HANGER BAR
TOTAL CUT LENGTH= 1180mm
+N16 TRIMMER BAR PERIMETER BAR

ALL FACE LIFTERS - CA05120

PLEASE NOTE UNIT WILL NOT BE TOTALLY VERTICAL AT FINAL INSTALLATION BECAUSE OF ECCENTRICITY.

30cvr TO ALL EDGES & FACES (UNO)	
REBAR GRADE : D500N	
Area (m ²)	3.90
Vol (m ³)	0.57
Wt. (t)	1.42
MPa	50MPa Category B2
FINISH	Anti Graffiti Coating
NO: OFF	1

REV.	BY	DATE	DESCRIPTION	APPD.
B	VR	07/01/23	REVISED AS PER COMMENTS	
A	VR	23/07/22	ISSUED FOR APPROVAL	

SCALES

--	--

CLIENT

--	--

SERVICE PROVIDERS

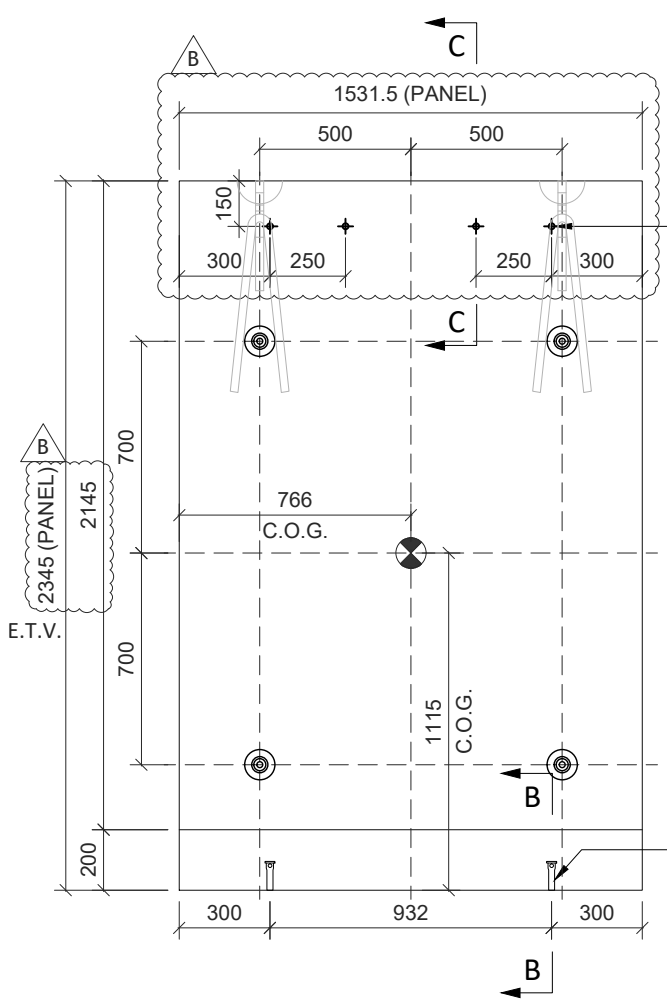
--	--

DRG No. SMCSWSWL-FUS-SWL-PT-SHP-703005

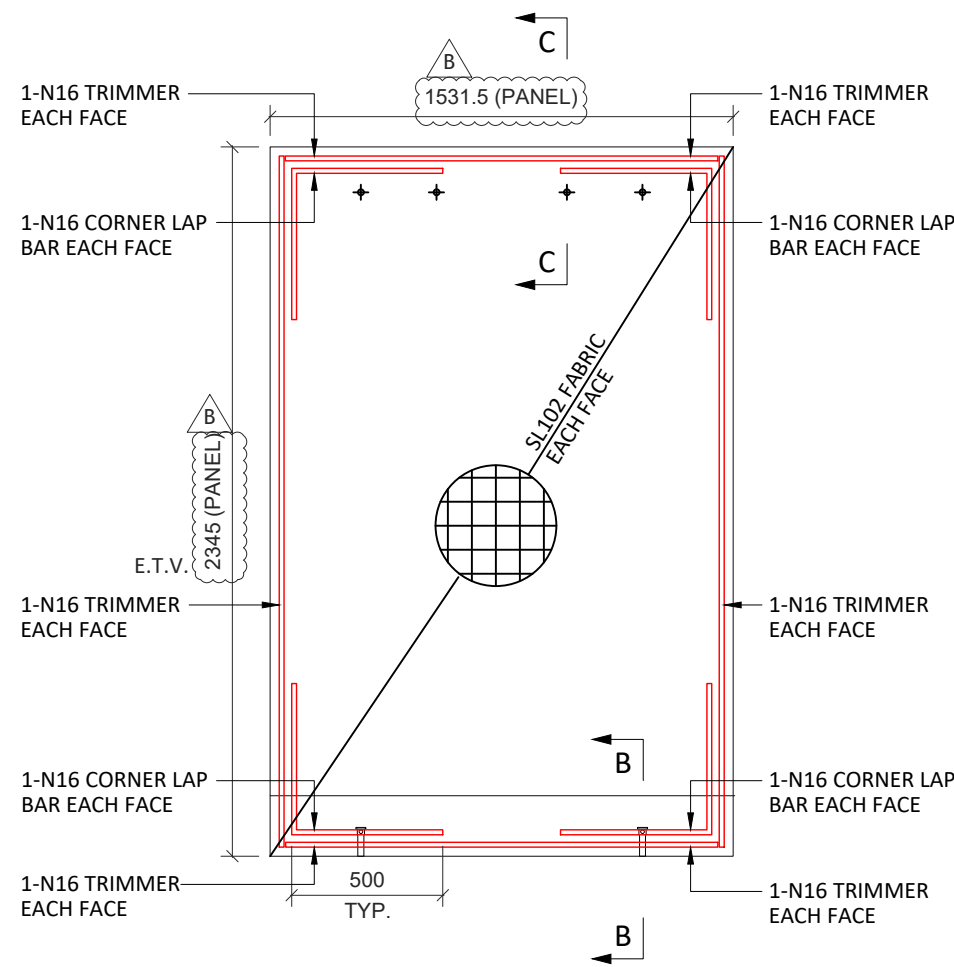
DRAWN	VR
DESIGNED	
DRG CHECK	HP
DESIGN CHECK	
APPROVED	

SYDNEY METRO
WATERLOO STATION
PRECAST
SE-05 PRECAST PANEL SHOP DRAWING
(TYPE-P9)

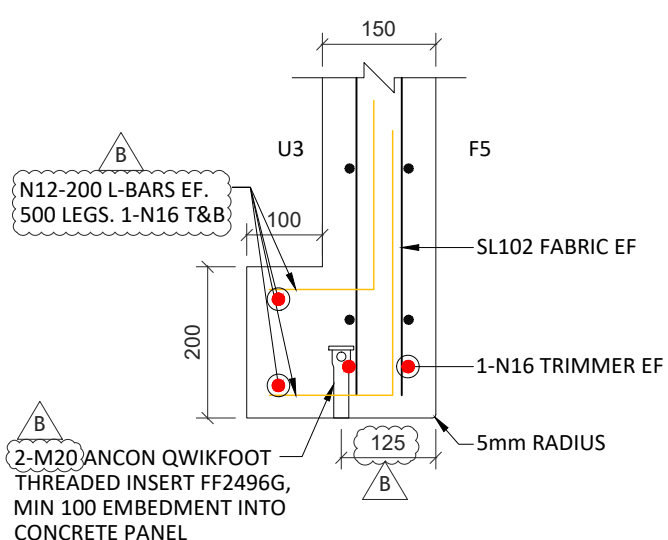
SHEET 1 OF 1



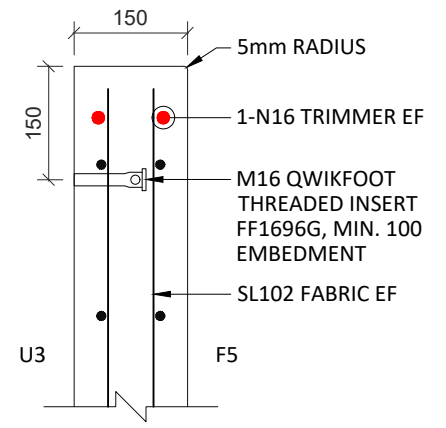
CONCRETE - ELEVATION PLAN AS CAST REAR FACE
SCALE :- 1:25



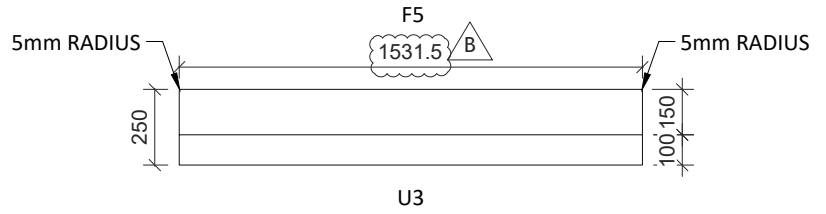
SECTION A-A REINFORCEMENT PLAN AS CAST REAR FACE
SCALE :- 1:25



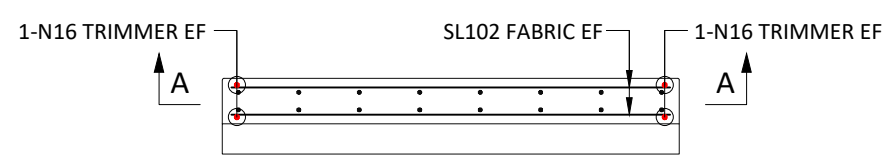
B SECTION
Scale: 1:10



C SECTION
Scale: 1:10



CONCRETE - PLAN
SCALE :- 1:25



REINFORCEMENT - PLAN
SCALE :- 1:25

INSPECTION & TEST PLAN		
INSPECTED BY		
NAME OF FABRICATOR		
UNIT NO.		
CAST DATE		
CAST TIME		
CONCRETE DOCKET NO.		
CONCRETE SPECIF. (MPa)		
ITEM	FABRICATOR INITIAL	APPROVED Y / N
MOULD CLEANLINESS		
RELEASE OIL		
DIMENSIONS		
FORMWORK FIXED		
OPENING / REBATES CORRECT & POSITION		
HOLD POINT		
REINFORCING CORRECT		
LAPS & SPLICES CORRECT		
SPACING & COVER CORRECT		
HOLD POINT		
LIFTERS POSITIONED CORRECTLY		
CAST - IN ITEMS		
STARTERS, LACING BARS		
APPROVED FOR CASTING		
POST POUR INSPECTION		
INSPECTED BY		
DATE		
ITEM		APPROVED Y / N
SWIFTLIFTS POSITION		
SWIFTLIFTS RECESS CLEANED		
CAST-IN ITEMS CLEANED		
CONCRETE FINISH		
LABELLED (NUMBER / DATED)		
DAMAGE (CRACKS / CHIPPING)		
CLEANLINESS		
ANY ACTION REQUIRED:		
APPROVED FOR DISPATCH		

E.T.V. COVER
U3 - INNER FACE
F5 - OUTER FACE

E.T.V. - ENGINEER TO VERIFY

Legend:

- N40
- N32
- N25
- N20
- N16
- N12
- N10

ALL EDGE LIFTERS - EdjPro EPHIMax +N16 HANGER BAR
TOTAL CUT LENGTH= 1180mm
+N16 TRIMMER BAR PERIMETER BAR

ALL FACE LIFTERS - CA05120

PLEASE NOTE UNIT WILL NOT BE TOTALLY VERTICAL AT FINAL INSTALLATION BECAUSE OF ECCENTRICITY.

30cvr TO ALL EDGES & FACES (UNO)	
REBAR GRADE : D500N	
Area (m ²)	3.90
Vol (m ³)	0.57
Wt. (t)	1.42
MPa	50MPa Category B2
FINISH	Anti Graffiti Coating
NO: OFF	1

REV.	BY	DATE	DESCRIPTION	APPD.
B	VR	07/01/23	REVISED AS PER COMMENTS	
A	VR	23/07/22	ISSUED FOR APPROVAL	

SCALES

CLIENT

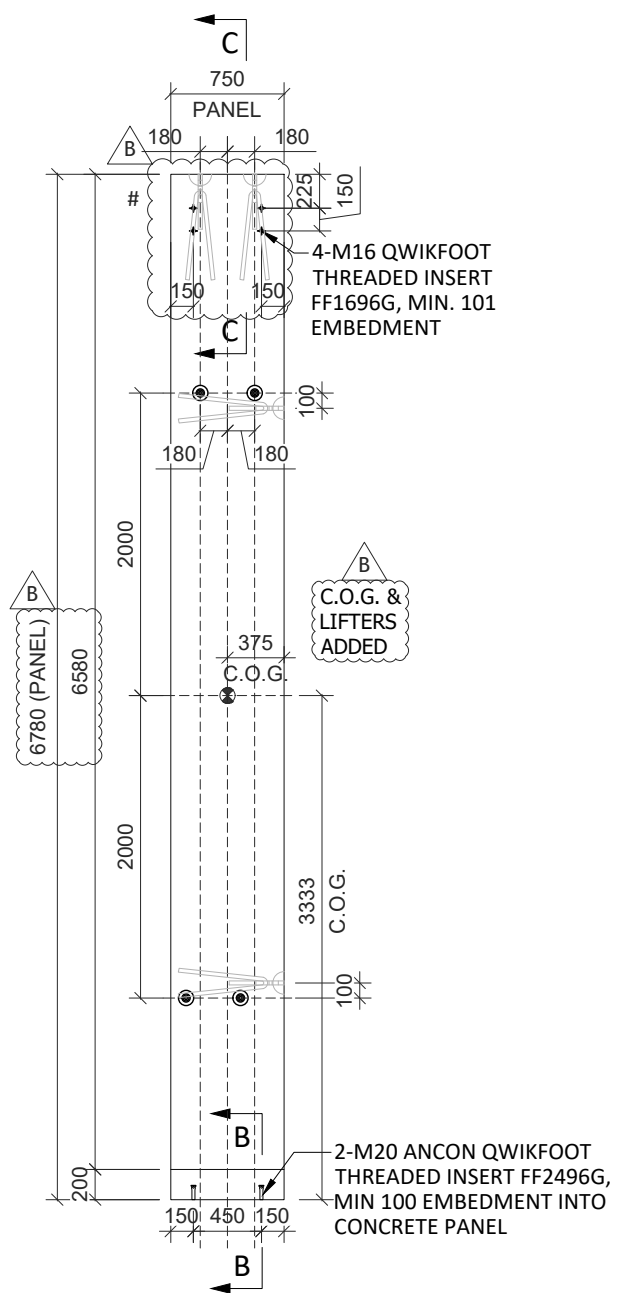
SERVICE PROVIDERS

DRAWN VR
DESIGNED
DRG CHECK HP
DESIGN CHECK
APPROVED

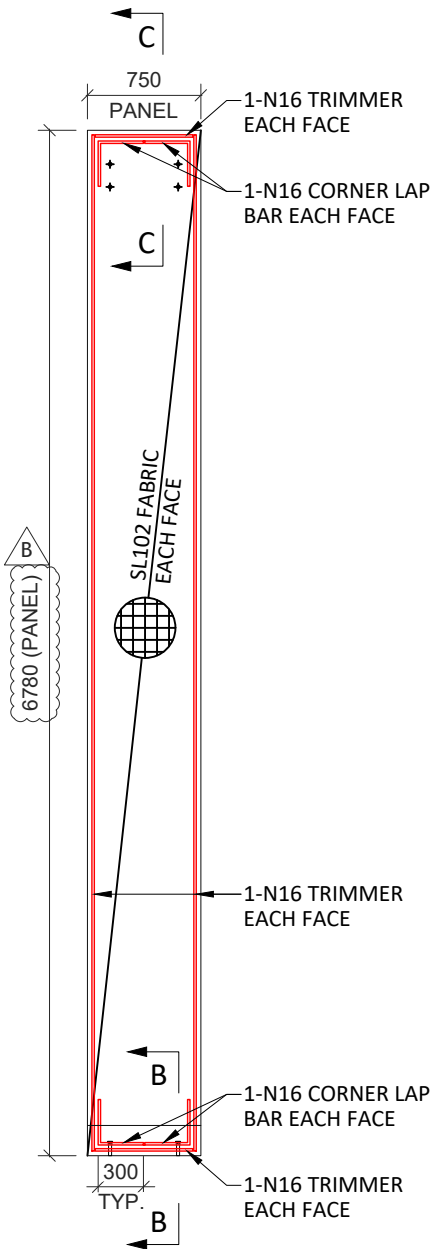
SYDNEY METRO
WATERLOO STATION
PRECAST
SE-06 PRECAST PANEL SHOP DRAWING
(TYPE-P9)

SHEET 1 OF 1

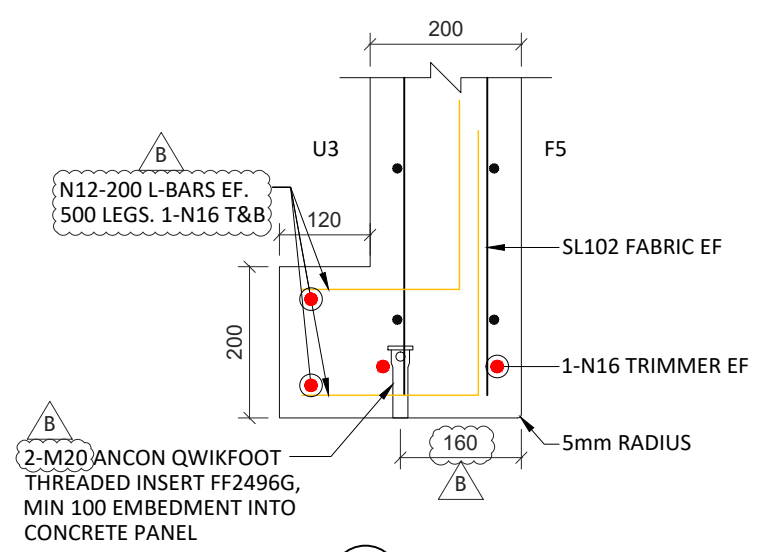
DRG No. SMCSWSWL-FUS-SWL-PT-SHP-703006



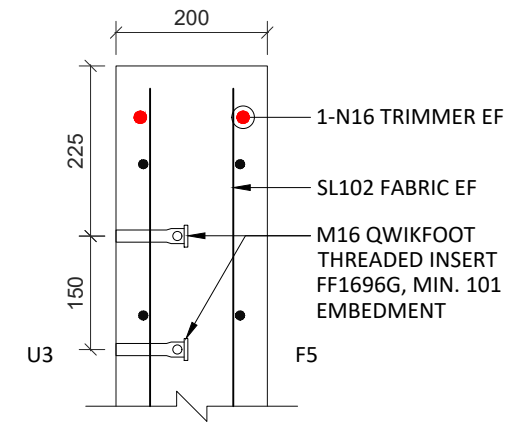
CONCRETE - ELEVATION PLAN AS CAST REAR FACE
SCALE :- 1:50



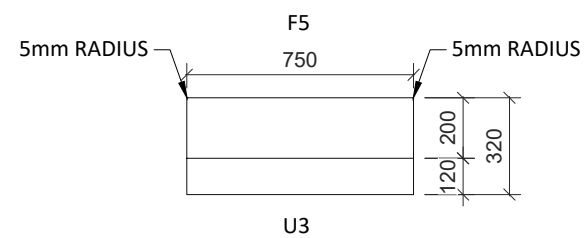
SECTION A-A REINFORCEMENT PLAN AS CAST REAR FACE
SCALE :- 1:50



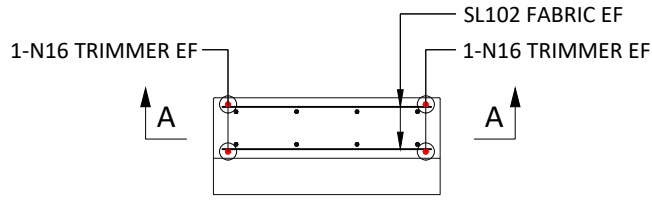
SECTION B
Scale: 1:10



SECTION C
Scale: 1:10



CONCRETE - PLAN
SCALE :- 1:25



REINFORCEMENT - PLAN
SCALE :- 1:25

INSPECTION & TEST PLAN		
INSPECTED BY		
NAME OF FABRICATOR		
UNIT NO.		
CAST DATE		
CAST TIME		
CONCRETE DOCKET NO.		
CONCRETE SPECIF. (MPa)		
ITEM	FABRICATOR INITIAL	APPROVED Y / N
MOULD CLEANLINESS		
RELEASE OIL		
DIMENSIONS		
FORMWORK FIXED		
OPENING / REBATES CORRECT & POSITION		
HOLD POINT		
REINFORCING CORRECT		
LAPS & SPLICES CORRECT		
SPACING & COVER CORRECT		
HOLD POINT		
LIFTERS POSITIONED CORRECTLY		
CAST - IN ITEMS		
STARTERS, LACING BARS		
APPROVED FOR CASTING		
POST POUR INSPECTION		
INSPECTED BY		
DATE		
ITEM		APPROVED Y / N
SWIFTLIFTS POSITION		
SWIFTLIFTS RECESS CLEANED		
CAST-IN ITEMS CLEANED		
CONCRETE FINISH		
LABELLED (NUMBER / DATED)		
DAMAGE (CRACKS / CHIPPING)		
CLEANLINESS		
ANY ACTION REQUIRED:		
APPROVED FOR DISPATCH		

- AS SILICON DON'T HAVE JH-RFS-001050 WE HAVE MARKED CLOUD ON DETAIL. PLEASE REFER JH-RFS-001050 AND AMEND THE FERRULE POSITION BEFORE CASTING.

—	N40
—	N32
—	N25
—	N20
—	N16
—	N12
—	N10

ALL EDGE LIFTERS - EdjPro EPHIMax +N16 HANGER BAR
TOTAL CUT LENGTH= 1180mm
+N16 TRIMMER BAR PERIMETER BAR

ALL FACE LIFTERS - CA05120

PLEASE NOTE UNIT WILL NOT BE TOTALLY VERTICAL AT FINAL INSTALLATION BECAUSE OF ECCENTRICITY.

E.T.V. COVER	
U3 - INNER FACE F5 - OUTER FACE	
E.T.V. - ENGINEER TO VERIFY	
30cvr TO ALL EDGES & FACES (UNO)	
REBAR GRADE : D500N	
Area (m ²)	5.24
Vol (m ³)	1.04
Wt. (t)	2.59
MPa	50MPa Category B2
FINISH	Anti Graffiti Coating
NO: OFF	1

REV.	BY	DATE	DESCRIPTION	APPD.
B	NG	07/01/23	REVISED AS PER COMMENTS	
A	VR	23/07/22	ISSUED FOR APPROVAL	

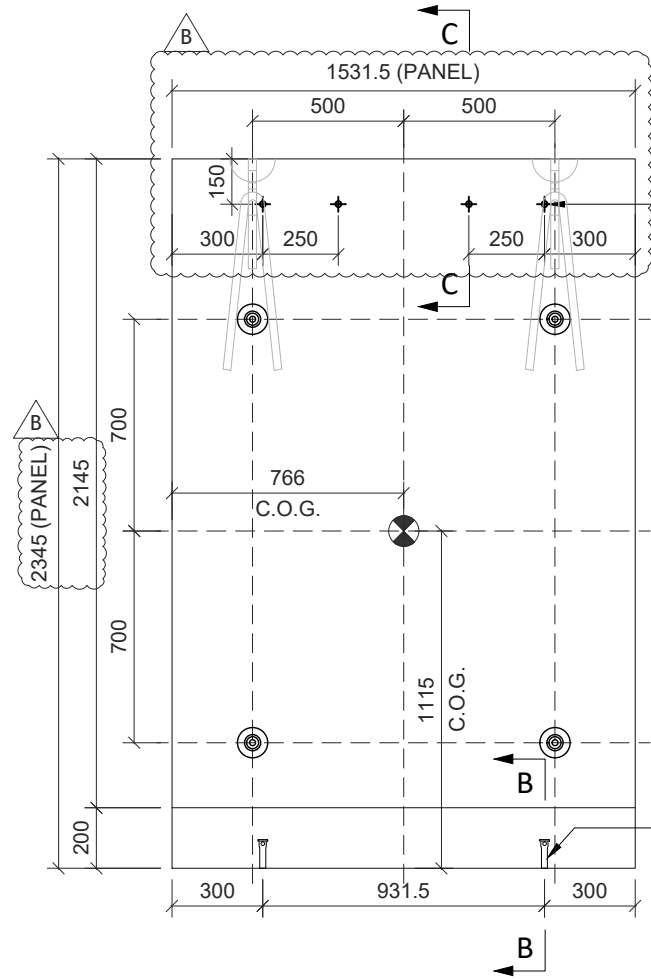
SCALES

CLIENT

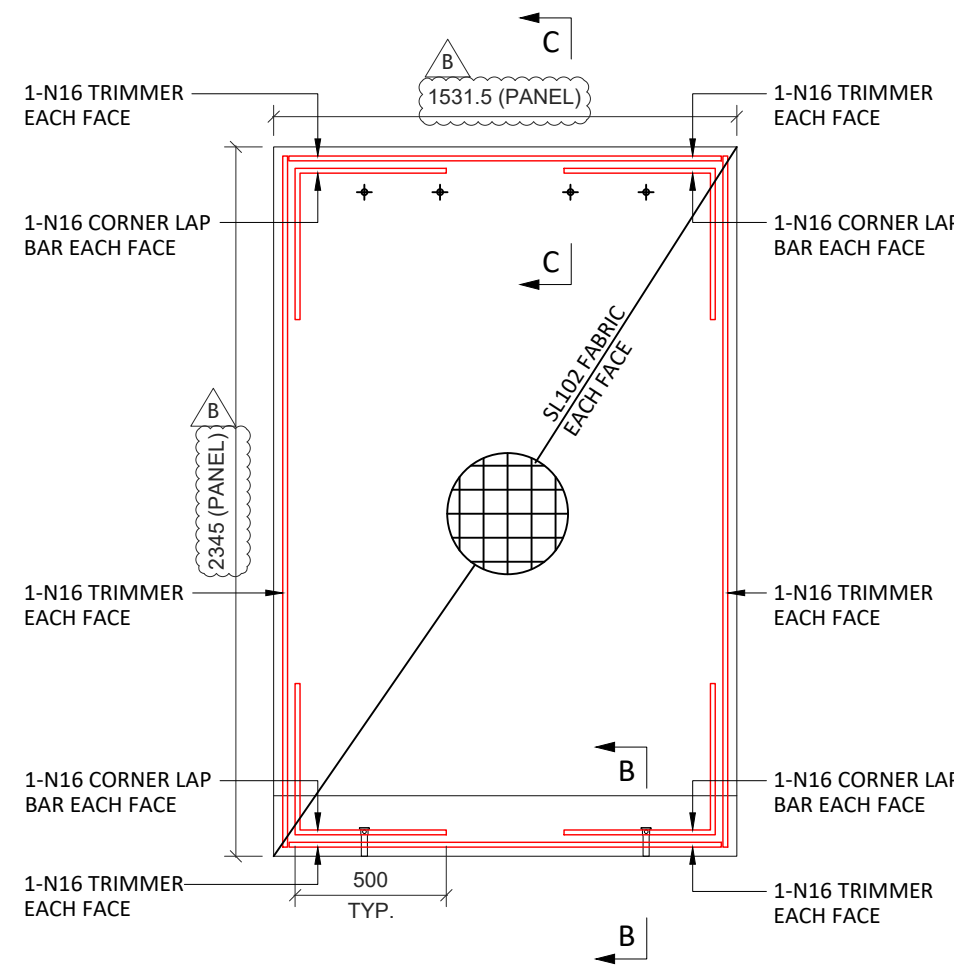
SERVICE PROVIDERS

SYDNEY METRO
WATERLOO STATION PRECAST SE-07 PRECAST PANEL SHOP DRAWING (TYPE-P7)
DRG No. SMCSWSWL-FUS-SWL-PT-SHP-703007

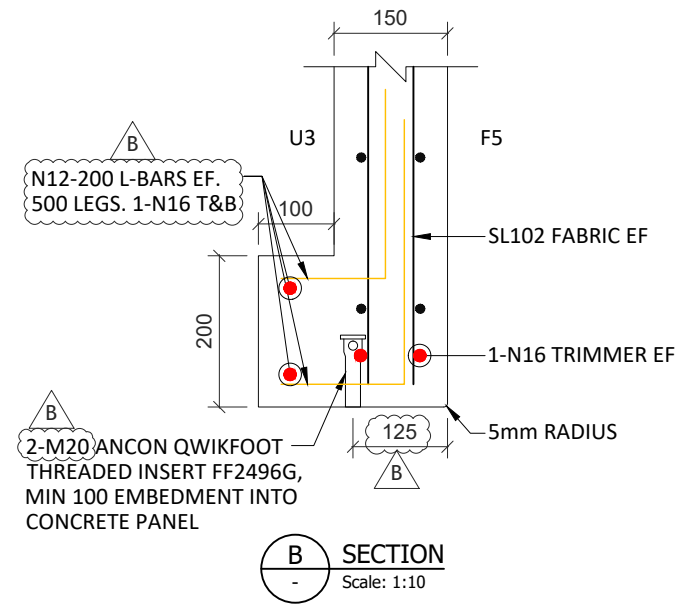
REVISIONS
DRAWN: VR
DESIGNED: -
DRG CHECK: HP
DESIGN CHECK: -
APPROVED: -



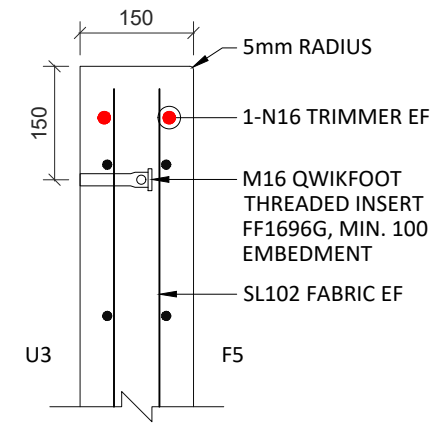
CONCRETE - ELEVATION PLAN AS CAST REAR FACE
SCALE :- 1:25



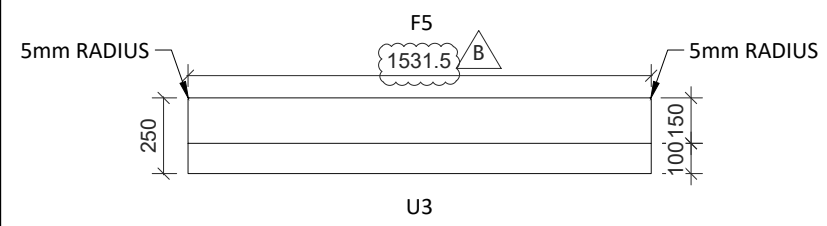
SECTION A-A REINFORCEMENT PLAN AS CAST REAR FACE
SCALE :- 1:25



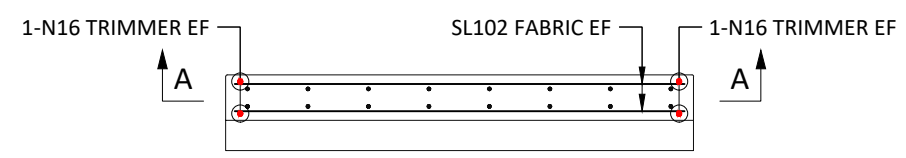
B SECTION
Scale: 1:10



C SECTION
Scale: 1:10



CONCRETE - PLAN
SCALE :- 1:25



REINFORCEMENT - PLAN
SCALE :- 1:25

LEGEND

- N40
- N32
- N25
- N20
- N16
- N12
- N10

ALL EDGE LIFTERS - EdjPro EPHIMax +N16 HANGER BAR
TOTAL CUT LENGTH= 1180mm
+N16 TRIMMER BAR PERIMETER BAR

ALL FACE LIFTERS - CA05120

PLEASE NOTE UNIT WILL NOT BE TOTALLY VERTICAL AT FINAL INSTALLATION BECAUSE OF ECCENTRICITY.

INSPECTION & TEST PLAN		
INSPECTED BY		
NAME OF FABRICATOR		
UNIT NO.		
CAST DATE		
CAST TIME		
CONCRETE DOCKET NO.		
CONCRETE SPECIF. (MPa)		
ITEM	FABRICATOR INITIAL	APPROVED Y / N
MOULD CLEANLINESS		
RELEASE OIL		
DIMENSIONS		
FORMWORK FIXED		
OPENING / REBATES CORRECT & POSITION		
HOLD POINT		
REINFORCING CORRECT		
LAPS & SPLICES CORRECT		
SPACING & COVER CORRECT		
HOLD POINT		
LIFTERS POSITIONED CORRECTLY		
CAST - IN ITEMS		
STARTERS, LACING BARS		
APPROVED FOR CASTING		
POST POUR INSPECTION		
INSPECTED BY		
DATE		
ITEM		APPROVED Y / N
SWIFTLIFTS POSITION		
SWIFTLIFTS RECESS CLEANED		
CAST-IN ITEMS CLEANED		
CONCRETE FINISH		
LABELLED (NUMBER / DATED)		
DAMAGE (CRACKS / CHIPPING)		
CLEANLINESS		
ANY ACTION REQUIRED:		
APPROVED FOR DISPATCH		

E.T.V. COVER
U3 - INNER FACE
F5 - OUTER FACE

E.T.V. - ENGINEER TO VERIFY

30cvr TO ALL EDGES & FACES (UNO)	
REBAR GRADE : D500N	
Area (m ²)	3.59
Vol (m ³)	0.57
Wt. (t)	1.42
MPa	50MPa Category B2
FINISH	Anti Graffiti Coating
NO: OFF	1

REV.	BY	DATE	DESCRIPTION	APPD.
B	VR	07/01/23	REVISED AS PER COMMENTS	
A	VR	23/07/22	ISSUED FOR APPROVAL	

SCALES

CLIENT

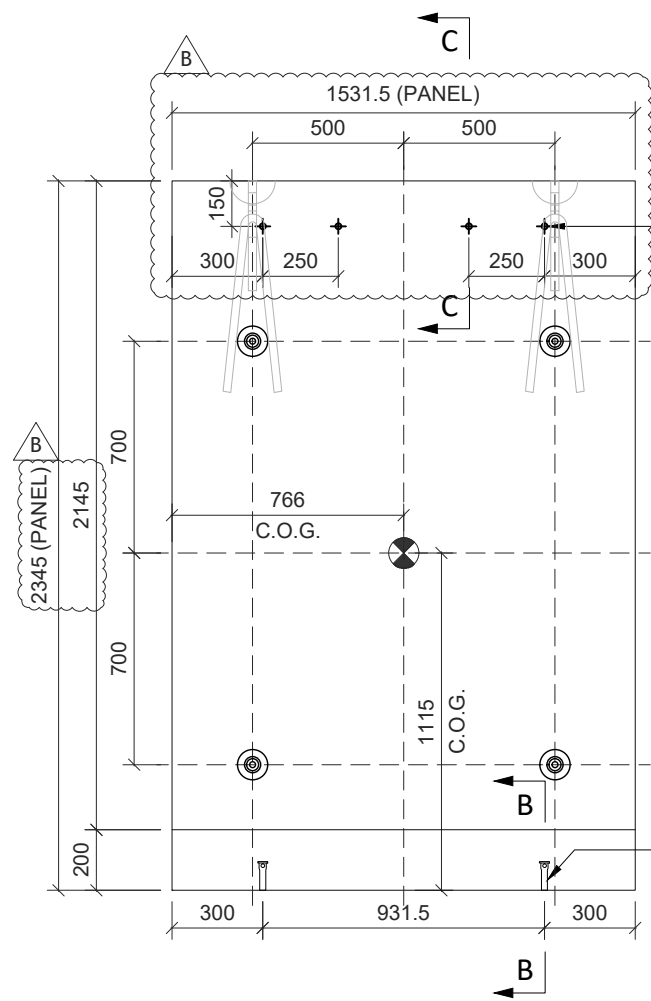
SERVICE PROVIDERS

DESIGN
DRAWN: VR
DESIGNED: _____
DRG CHECK: HP
DESIGN CHECK: _____
APPROVED: _____

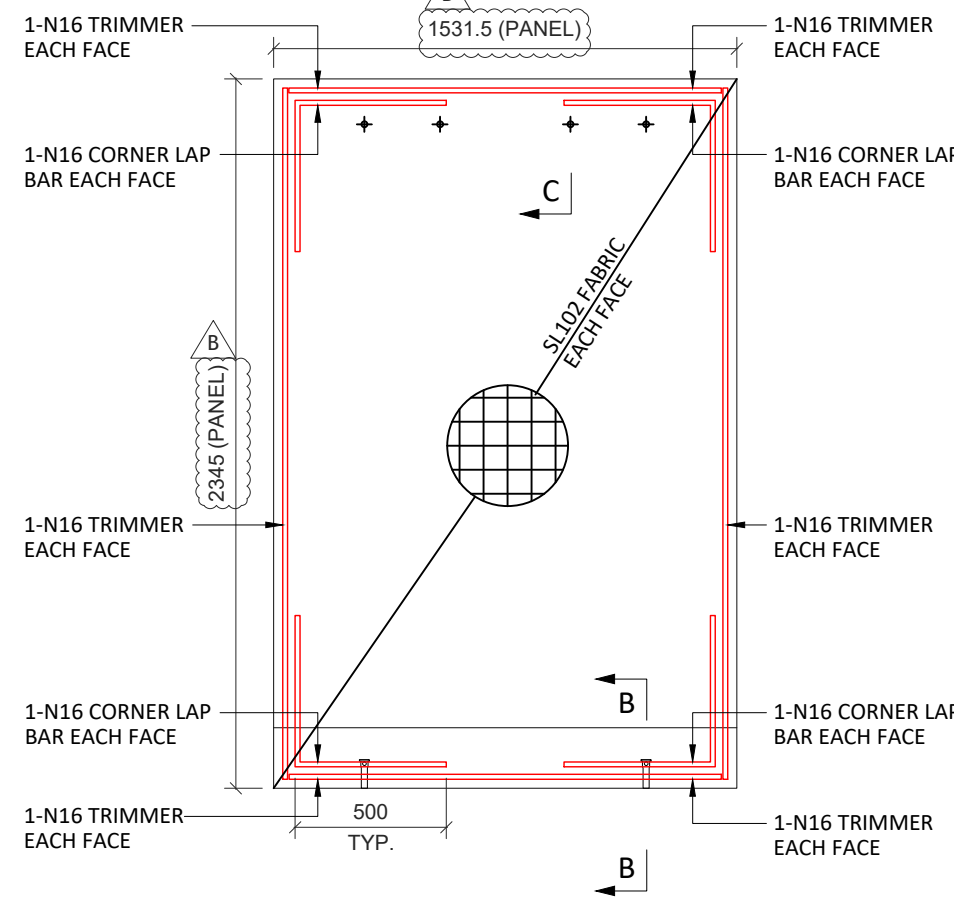
SYDNEY METRO
WATERLOO STATION
PRECAST
SE-08 PRECAST PANEL SHOP DRAWING
(TYPE-P9)

DRG No. SMCSWSWL-FUS-SWL-PT-SHP-703008

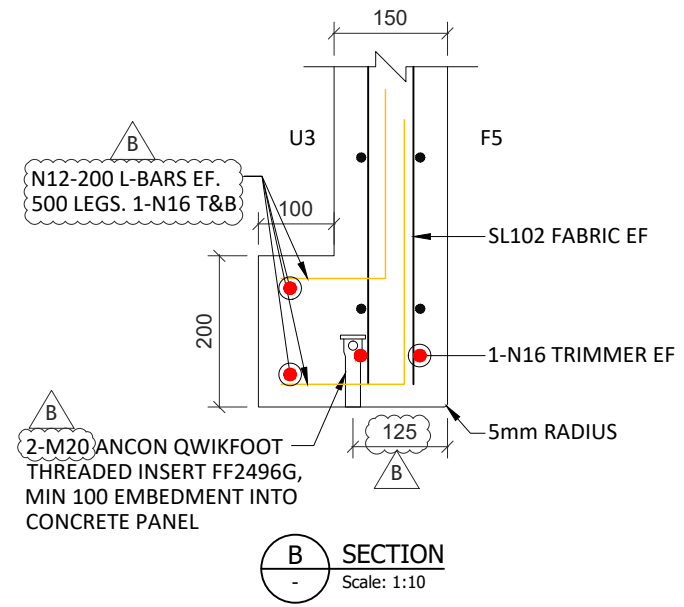
SHEET 1 OF 1



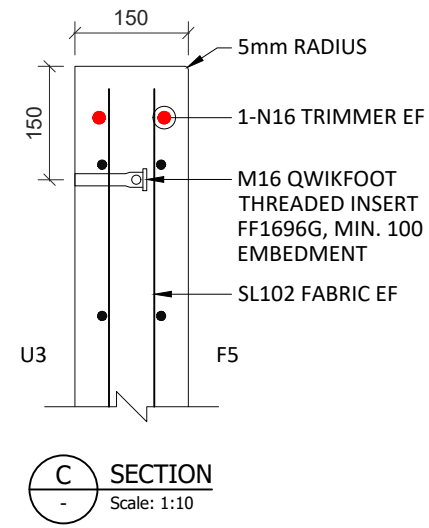
CONCRETE - ELEVATION PLAN AS CAST REAR FACE
SCALE :- 1:25



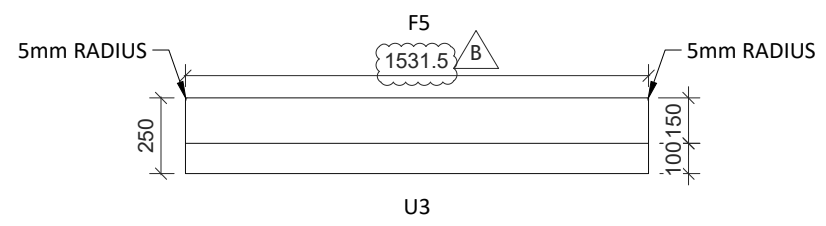
SECTION A-A REINFORCEMENT PLAN AS CAST REAR FACE
SCALE :- 1:25



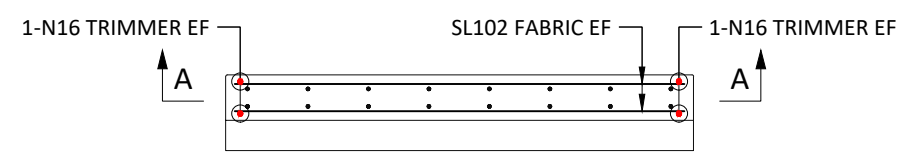
B SECTION
Scale: 1:10



C SECTION
Scale: 1:10



CONCRETE - PLAN
SCALE :- 1:25



REINFORCEMENT - PLAN
SCALE :- 1:25

LEGEND

- N40
- N32
- N25
- N20
- N16
- N12
- N10

ALL EDGE LIFTERS - EdjPro EPHIMax
+N16 HANGER BAR
TOTAL CUT LENGTH= 1180mm
+N16 TRIMMER BAR PERIMETER BAR

ALL FACE LIFTERS - CA05120

PLEASE NOTE UNIT WILL NOT BE TOTALLY VERTICAL AT FINAL INSTALLATION BECAUSE OF ECCENTRICITY.

INSPECTION & TEST PLAN		
INSPECTED BY		
NAME OF FABRICATOR		
UNIT NO.		
CAST DATE		
CAST TIME		
CONCRETE DOCKET NO.		
CONCRETE SPECIF. (MPa)		
ITEM	FABRICATOR INITIAL	APPROVED Y / N
MOULD CLEANLINESS		
RELEASE OIL		
DIMENSIONS		
FORMWORK FIXED		
OPENING / REBATES CORRECT & POSITION		
HOLD POINT		
REINFORCING CORRECT		
LAPS & SPLICES CORRECT		
SPACING & COVER CORRECT		
HOLD POINT		
LIFTERS POSITIONED CORRECTLY		
CAST - IN ITEMS		
STARTERS, LACING BARS		
APPROVED FOR CASTING		
POST POUR INSPECTION		
INSPECTED BY		
DATE		
ITEM		APPROVED Y / N
SWIFTLIFTS POSITION		
SWIFTLIFTS RECESS CLEANED		
CAST-IN ITEMS CLEANED		
CONCRETE FINISH		
LABELLED (NUMBER / DATED)		
DAMAGE (CRACKS / CHIPPING)		
CLEANLINESS		
ANY ACTION REQUIRED:		
APPROVED FOR DISPATCH		

E.T.V. COVER
U3 - INNER FACE
F5 - OUTER FACE

E.T.V. - ENGINEER TO VERIFY

30cvr TO ALL EDGES & FACES (UNO)	
REBAR GRADE : D500N	
Area (m ²)	3.90
Vol (m ³)	0.57
Wt. (t)	1.42
MPa	50MPa Category B2
FINISH	Anti Graffiti Coating
NO: OFF	1

REV.	BY	DATE	DESCRIPTION	APPD.
B	VR	07/01/23	REVISED AS PER COMMENTS	
A	VR	23/07/22	ISSUED FOR APPROVAL	

SCALES

CLIENT

SERVICE PROVIDERS

DESIGN
DRAWN: VR
DESIGNED: _____
DRG CHECK: HP
DESIGN CHECK: _____
APPROVED: _____

SYDNEY METRO
WATERLOO STATION
PRECAST
SE-09 PRECAST PANEL SHOP DRAWING
(TYPE-P9)

DRG No. SMCSWSWL-FUS-SWL-PT-SHP-703009

SHEET 1 OF 1

INSPECTION & TEST PLAN

INSPECTED BY	
NAME OF FABRICATOR	
UNIT NO.	
CAST DATE	
CAST TIME	
CONCRETE DOCKET NO.	
CONCRETE SPECIF. (MPa)	

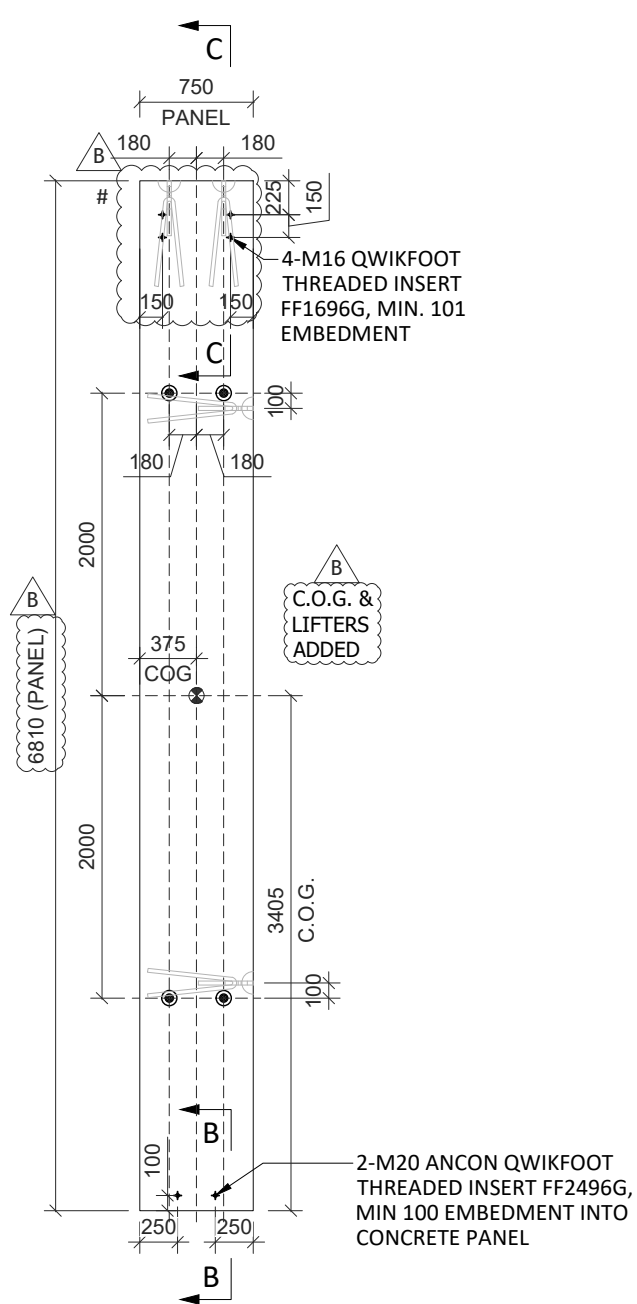
ITEM	FABRICATOR INITIAL	APPROVED Y / N
MOULD CLEANLINESS		
RELEASE OIL		
DIMENSIONS		
FORMWORK FIXED		
OPENING / REBATES CORRECT & POSITION		
HOLD POINT		
REINFORCING CORRECT		
LAPS & SPLICES CORRECT		
SPACING & COVER CORRECT		
HOLD POINT		
LIFTERS POSITIONED CORRECTLY		
CAST - IN ITEMS		
STARTERS, LACING BARS		
APPROVED FOR CASTING		

POST POUR INSPECTION

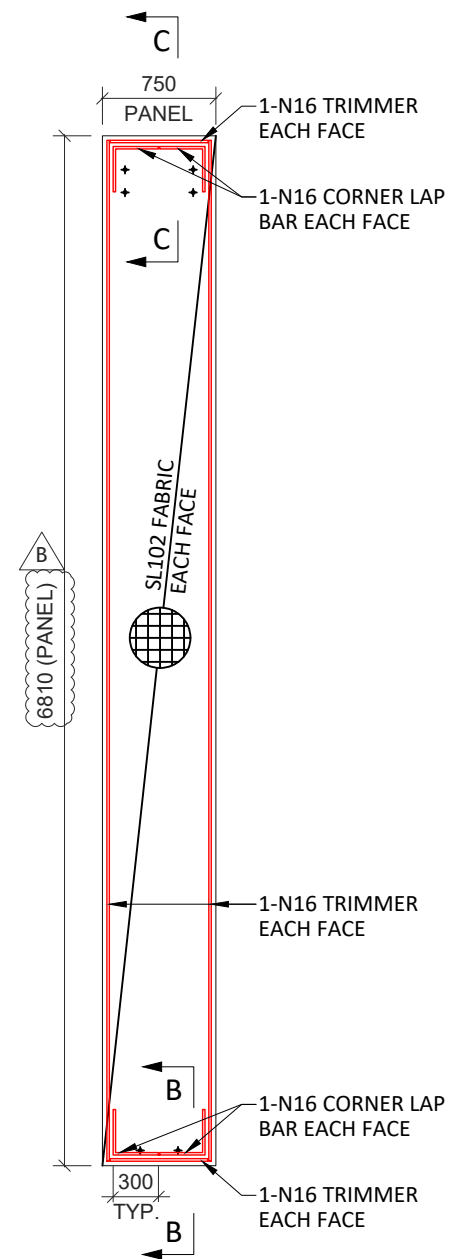
INSPECTED BY	
DATE	

ITEM	APPROVED Y / N
SWIFTLIFTS POSITION	
SWIFTLIFTS RECESS CLEANED	
CAST-IN ITEMS CLEANED	
CONCRETE FINISH	
LABELLED (NUMBER / DATED)	
DAMAGE (CRACKS / CHIPPING)	
CLEANLINESS	
ANY ACTION REQUIRED:	

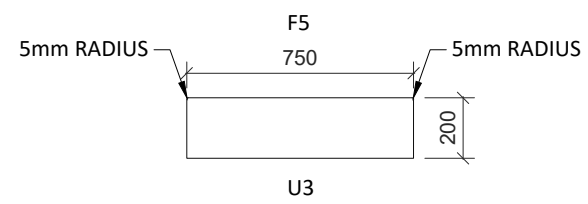
APPROVED FOR DISPATCH	
------------------------------	--



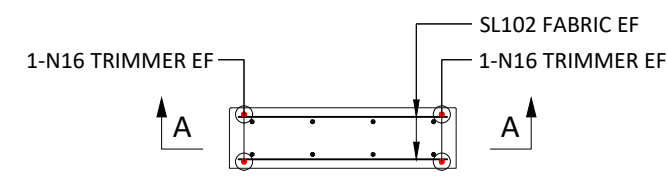
CONCRETE - ELEVATION PLAN AS CAST REAR FACE
SCALE :- 1:50



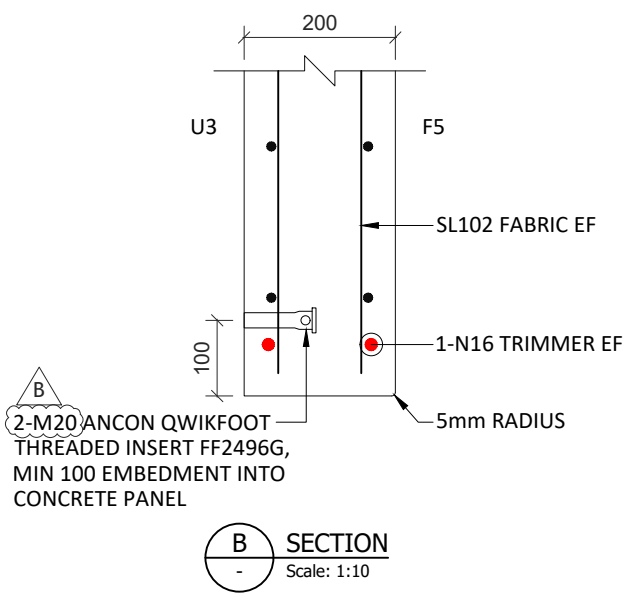
SECTION A-A REINFORCEMENT PLAN AS CAST REAR FACE
SCALE :- 1:50



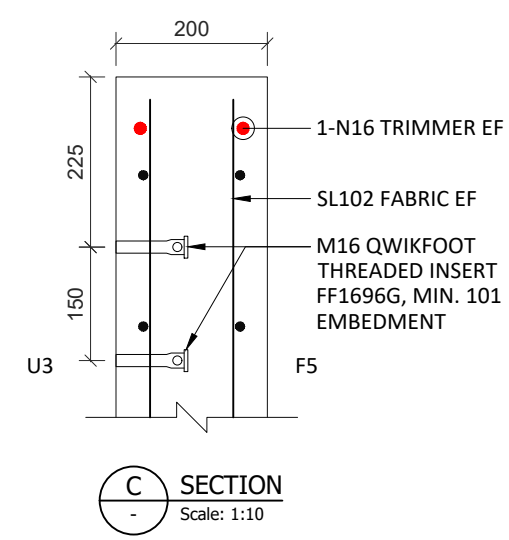
CONCRETE - PLAN
SCALE :- 1:25



REINFORCEMENT - PLAN
SCALE :- 1:25



SECTION B
Scale: 1:10



SECTION C
Scale: 1:10

- AS SILICON DON'T HAVE JH-RFS-001050 WE HAVE MARKED CLOUD ON DETAIL. PLEASE REFER JH-RFS-001050 AND AMEND THE FERRULE POSITION BEFORE CASTING.

---	N40
---	N32
---	N25
---	N20
---	N16
---	N12
---	N10

ALL EDGE LIFTERS - EdjPro EPHIMax
+N16 HANGER BAR
TOTAL CUT LENGTH= 1180mm
+N16 TRIMMER BAR PERIMETER BAR

ALL FACE LIFTERS - CA05120

PLEASE NOTE UNIT WILL NOT BE TOTALLY VERTICAL AT FINAL INSTALLATION BECAUSE OF ECCENTRICITY.

E.T.V. COVER

U3 - INNER FACE
F5 - OUTER FACE

E.T.V. - ENGINEER TO VERIFY

30cvr TO ALL EDGES & FACES (UNO)	
REBAR GRADE : D500N	
Area (m ²)	5.11
Vol (m ³)	1.02
Wt. (t)	2.55
MPa	50MPa Category B2
FINISH	Anti Graffiti Coating
NO: OFF	1

REV.	BY	DATE	DESCRIPTION	APPD.
B	NG	07/01/23	REVISED AS PER COMMENTS	
A	VR	23/07/22	ISSUED FOR APPROVAL	

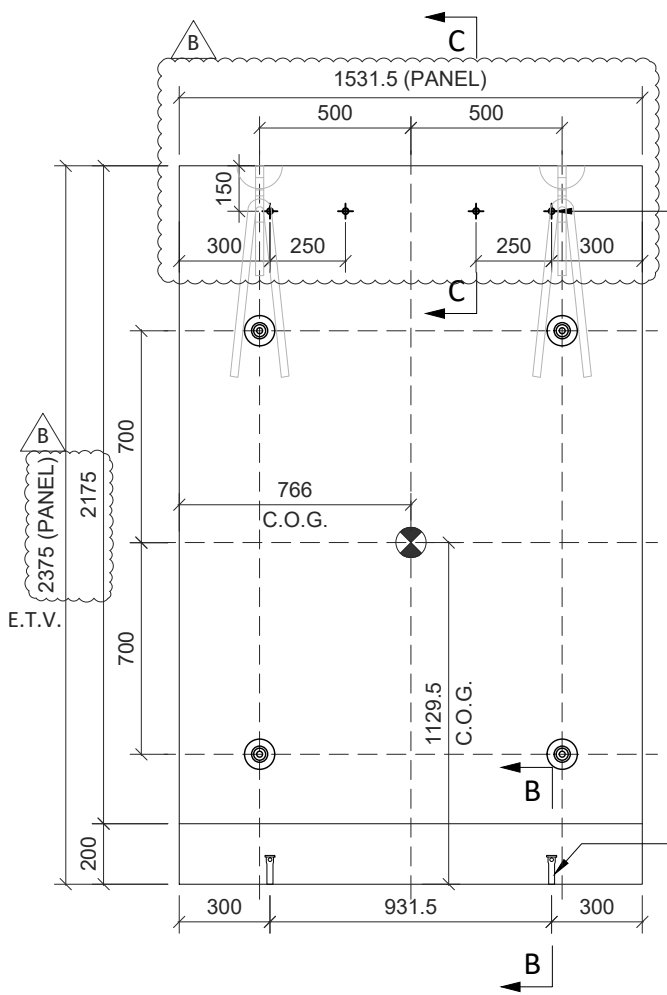
SCALES

CLIENT

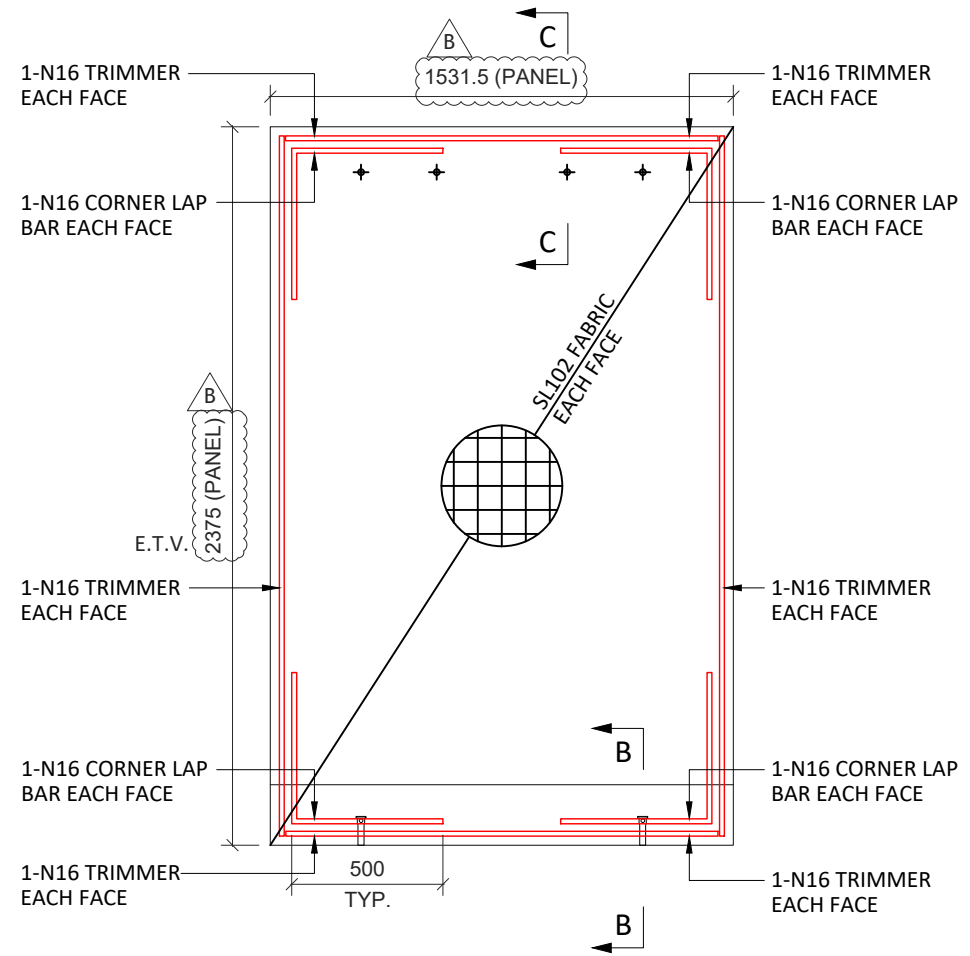
SERVICE PROVIDERS

DRAWN	VR
DESIGNED	
DRG CHECK	HP
DESIGN CHECK	
APPROVED	

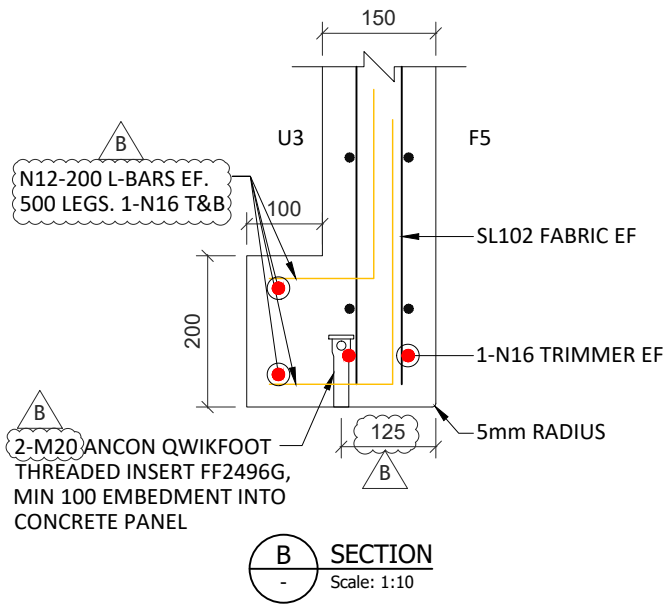
SYDNEY METRO
WATERLOO STATION
PRECAST
SE-10 PRECAST PANEL SHOP DRAWING (TYPE-P7)
DRG No. SMCSWSWL-FUS-SWL-PT-SHP-703010
SHEET 1 OF 1
REV. B



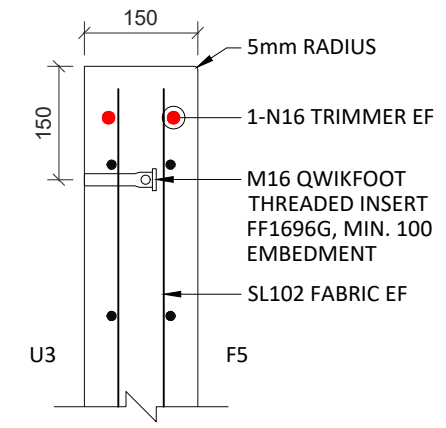
CONCRETE - ELEVATION PLAN AS CAST REAR FACE
SCALE :- 1:25



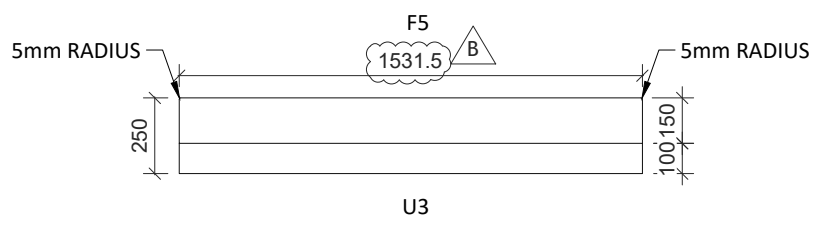
SECTION A-A REINFORCEMENT PLAN AS CAST REAR FACE
SCALE :- 1:25



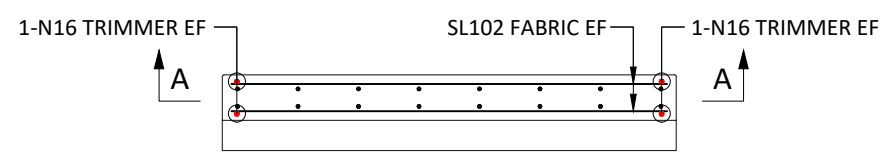
B SECTION
Scale: 1:10



C SECTION
Scale: 1:10



CONCRETE - PLAN
SCALE :- 1:25



REINFORCEMENT - PLAN
SCALE :- 1:25

ALL EDGE LIFTERS - EdjPro EPHIMax
+N16 HANGER BAR
TOTAL CUT LENGTH= 1180mm
+N16 TRIMMER BAR PERIMETER BAR

ALL FACE LIFTERS - CA05120

PLEASE NOTE UNIT WILL NOT BE TOTALLY VERTICAL AT FINAL INSTALLATION BECAUSE OF ECCENTRICITY.

INSPECTION & TEST PLAN		
INSPECTED BY		
NAME OF FABRICATOR		
UNIT NO.		
CAST DATE		
CAST TIME		
CONCRETE DOCKET NO.		
CONCRETE SPECIF. (MPa)		
ITEM	FABRICATOR INITIAL	APPROVED Y / N
MOULD CLEANLINESS		
RELEASE OIL		
DIMENSIONS		
FORMWORK FIXED		
OPENING / REBATES CORRECT & POSITION		
HOLD POINT		
REINFORCING CORRECT		
LAPS & SPLICES CORRECT		
SPACING & COVER CORRECT		
HOLD POINT		
LIFTERS POSITIONED CORRECTLY		
CAST - IN ITEMS		
STARTERS, LACING BARS		
APPROVED FOR CASTING		
POST POUR INSPECTION		
INSPECTED BY		
DATE		
ITEM		APPROVED Y / N
SWIFTLIFTS POSITION		
SWIFTLIFTS RECESS CLEANED		
CAST-IN ITEMS CLEANED		
CONCRETE FINISH		
LABELLED (NUMBER / DATED)		
DAMAGE (CRACKS / CHIPPING)		
CLEANLINESS		
ANY ACTION REQUIRED:		
APPROVED FOR DISPATCH		

E.T.V. COVER
U3 - INNER FACE
F5 - OUTER FACE

E.T.V. - ENGINEER TO VERIFY

30cvr TO ALL EDGES & FACES (UNO)	
REBAR GRADE : D500N	
Area (m ²)	3.64
Vol (m ³)	0.58
Wt. (t)	1.44
MPa	50MPa Category B2
FINISH	Anti Graffiti Coating
NO: OFF	1

REV.	BY	DATE	DESCRIPTION	APPD.
B	VR	07/01/23	REVISED AS PER COMMENTS	
A	VR	23/07/22	ISSUED FOR APPROVAL	

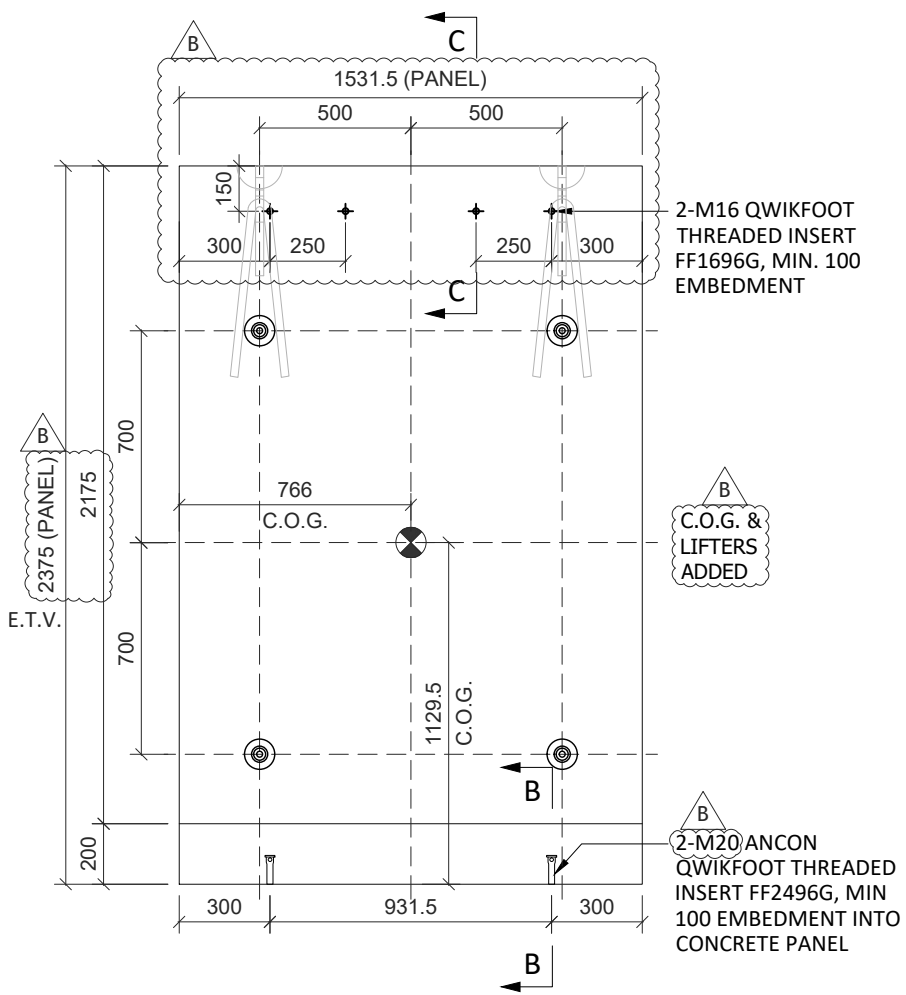
SCALES	

CLIENT	

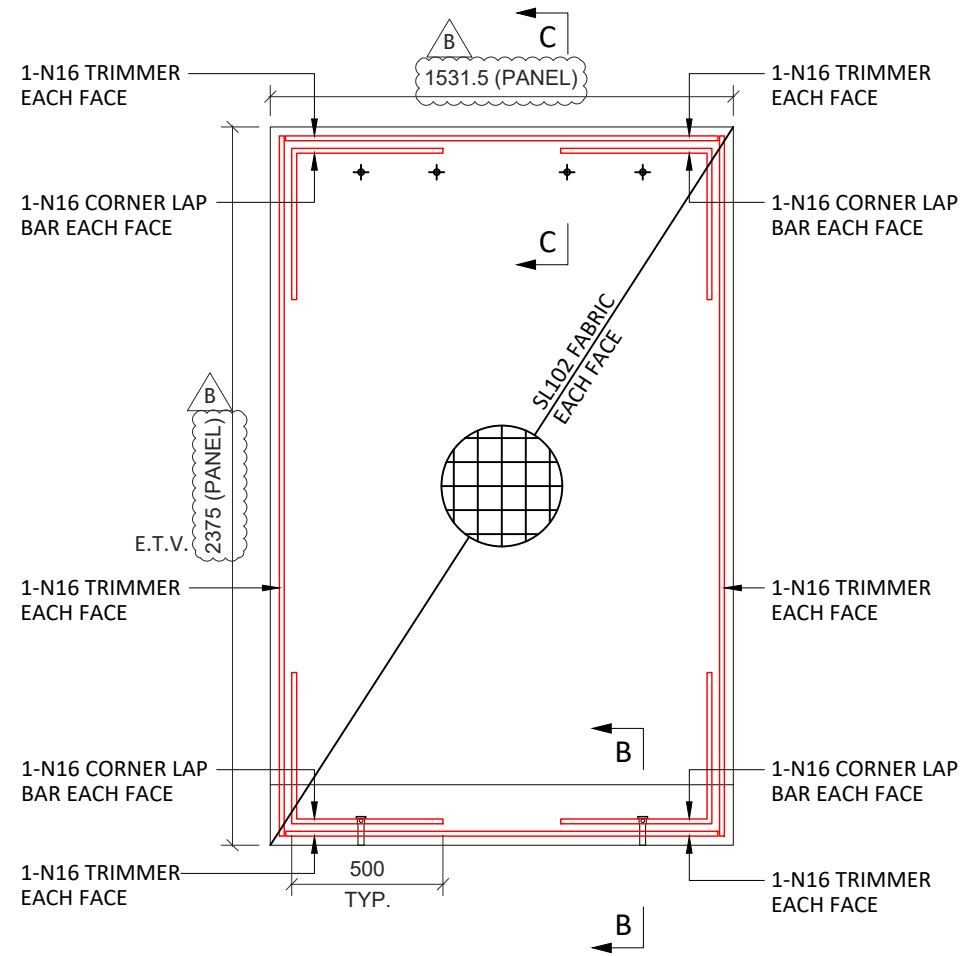
SERVICE PROVIDERS	

SYDNEY METRO	
DRAWN	VR
DESIGNED	
DRG CHECK	HP
DESIGN CHECK	
APPROVED	

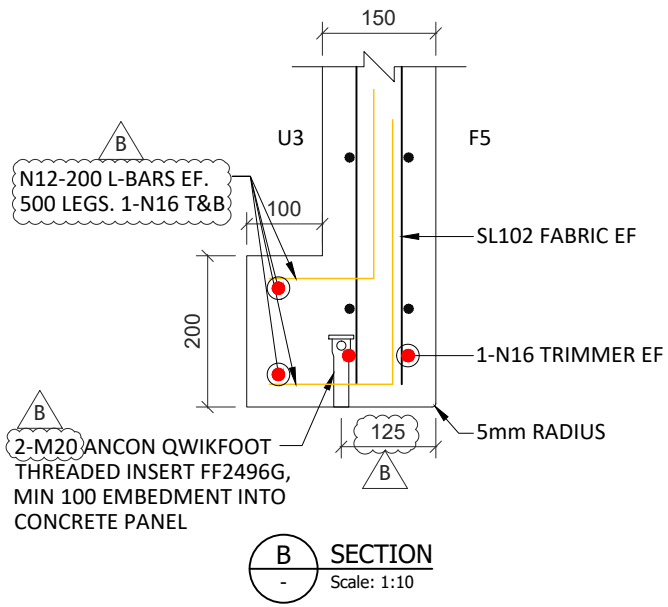
SYDNEY METRO	
WATERLOO STATION	
PRECAST	
SE-11 PRECAST PANEL SHOP DRAWING (TYPE-P9)	
DRG No.	SMCSWSWL-FUS-SWL-PT-SHP-703011
SHEET 1 OF 1	©
REV.	B



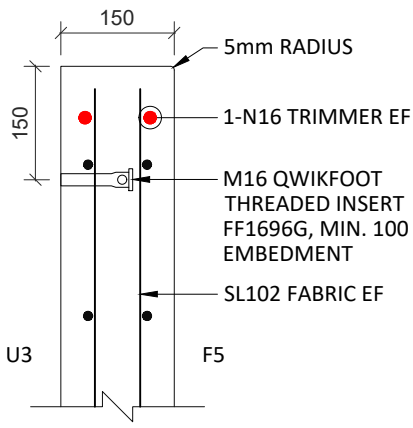
CONCRETE - ELEVATION PLAN AS CAST REAR FACE
SCALE :- 1:25



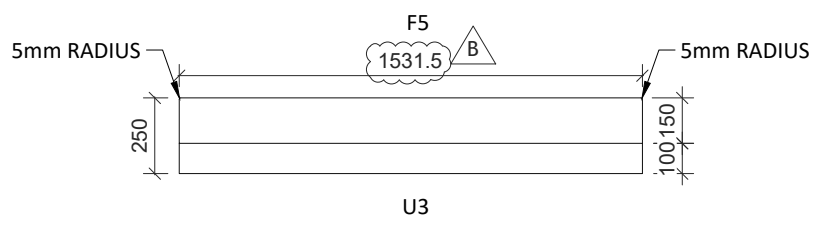
SECTION A-A REINFORCEMENT PLAN AS CAST REAR FACE
SCALE :- 1:25



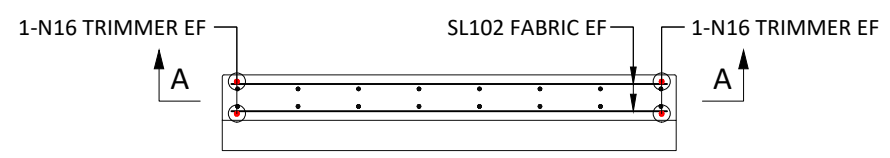
B SECTION
Scale: 1:10



C SECTION
Scale: 1:10



CONCRETE - PLAN
SCALE :- 1:25



REINFORCEMENT - PLAN
SCALE :- 1:25

LEGEND

- N40
- N32
- N25
- N20
- N16
- N12
- N10

ALL EDGE LIFTERS - EdjPro EPHIMax +N16 HANGER BAR
TOTAL CUT LENGTH= 1180mm
+N16 TRIMMER BAR PERIMETER BAR

ALL FACE LIFTERS - CA05120

PLEASE NOTE UNIT WILL NOT BE TOTALLY VERTICAL AT FINAL INSTALLATION BECAUSE OF ECCENTRICITY.

INSPECTION & TEST PLAN		
INSPECTED BY		
NAME OF FABRICATOR		
UNIT NO.		
CAST DATE		
CAST TIME		
CONCRETE DOCKET NO.		
CONCRETE SPECIF. (MPa)		
ITEM	FABRICATOR INITIAL	APPROVED Y / N
MOULD CLEANLINESS		
RELEASE OIL		
DIMENSIONS		
FORMWORK FIXED		
OPENING / REBATES CORRECT & POSITION		
HOLD POINT		
REINFORCING CORRECT		
LAPS & SPLICES CORRECT		
SPACING & COVER CORRECT		
HOLD POINT		
LIFTERS POSITIONED CORRECTLY		
CAST - IN ITEMS		
STARTERS, LACING BARS		
APPROVED FOR CASTING		
POST POUR INSPECTION		
INSPECTED BY		
DATE		
ITEM		APPROVED Y / N
SWIFTLIFTS POSITION		
SWIFTLIFTS RECESS CLEANED		
CAST-IN ITEMS CLEANED		
CONCRETE FINISH		
LABELLED (NUMBER / DATED)		
DAMAGE (CRACKS / CHIPPING)		
CLEANLINESS		
ANY ACTION REQUIRED:		
APPROVED FOR DISPATCH		

E.T.V. COVER
U3 - INNER FACE
F5 - OUTER FACE

E.T.V. - ENGINEER TO VERIFY

30cvr TO ALL EDGES & FACES (UNO)	
REBAR GRADE : D500N	
Area (m ²)	3.64
Vol (m ³)	0.58
Wt. (t)	1.44
MPa	50MPa Category B2
FINISH	Anti Graffiti Coating
NO: OFF	1

REV.	BY	DATE	DESCRIPTION	APPD.
B	VR	07/01/23	REVISED AS PER COMMENTS	
A	VR	23/07/22	ISSUED FOR APPROVAL	

SCALE

CLIENT

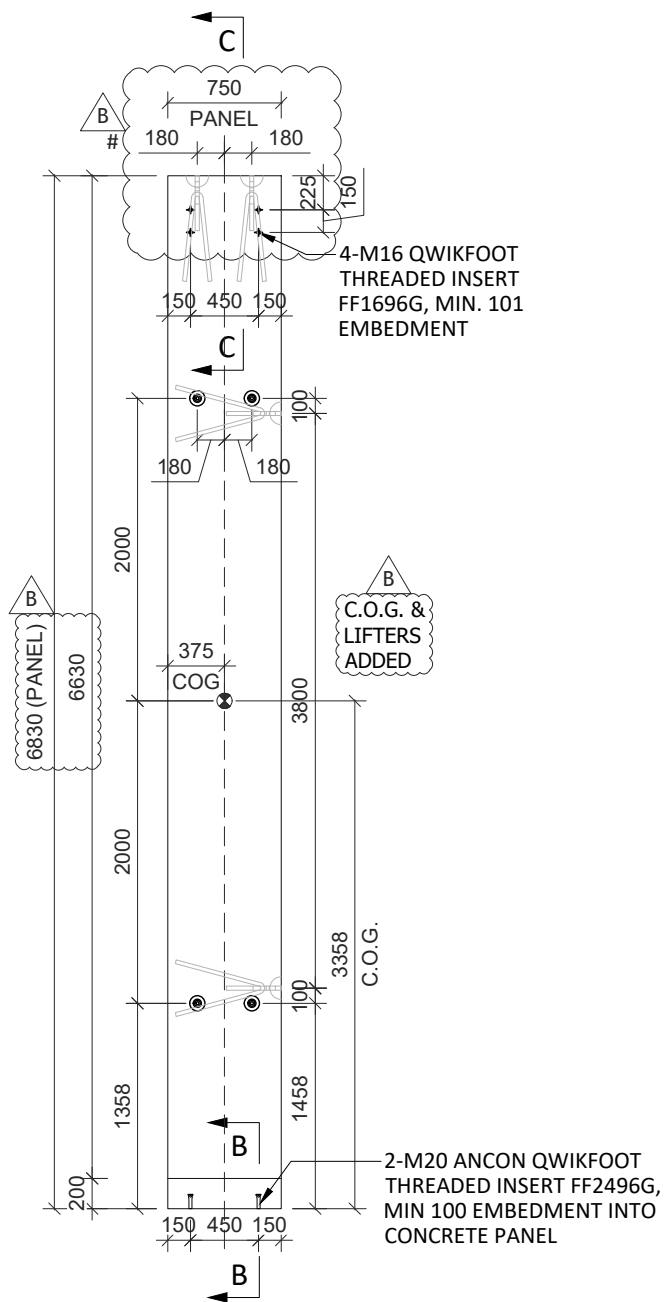
SERVICE PROVIDERS

SCALE

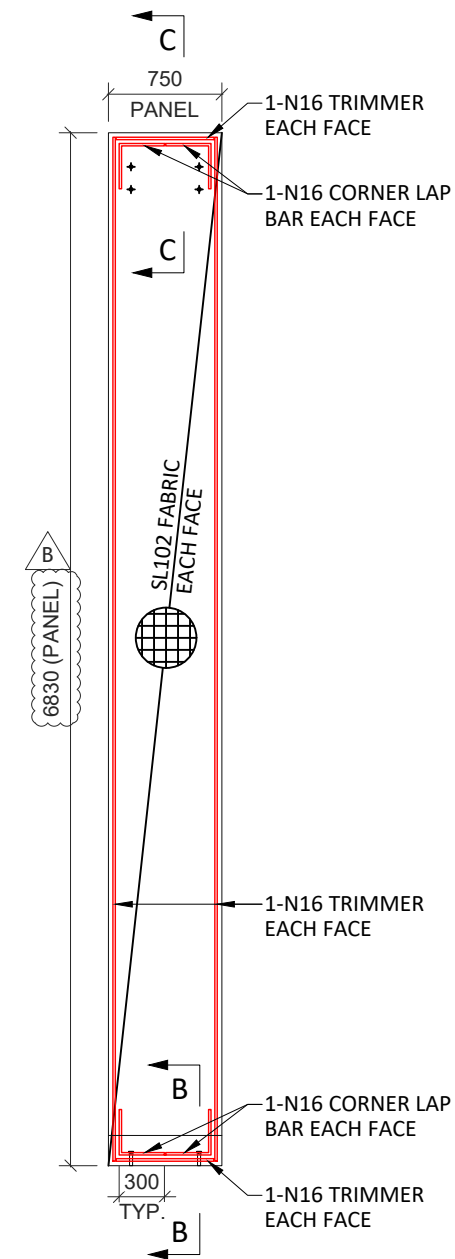
SYDNEY METRO
WATERLOO STATION
PRECAST
SE-12 PRECAST PANEL SHOP DRAWING
(TYPE-P9)

DRG No. SMCSWSWL-FUS-SWL-PT-SHP-703012

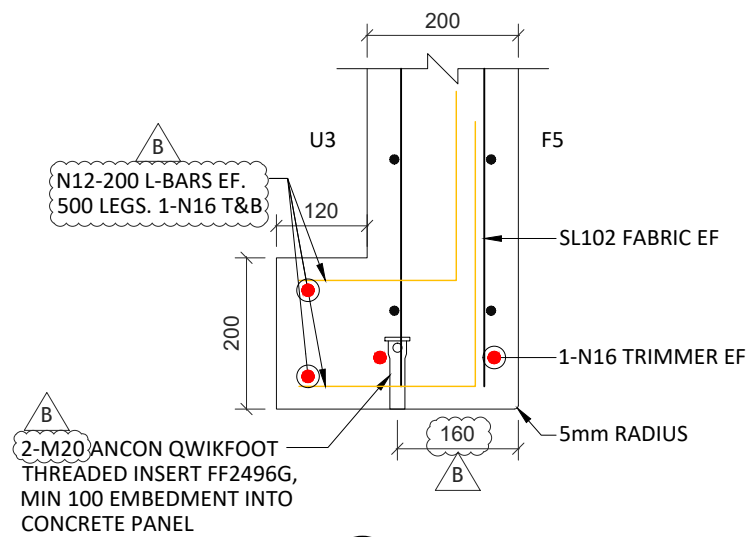
SHEET 1 OF 1



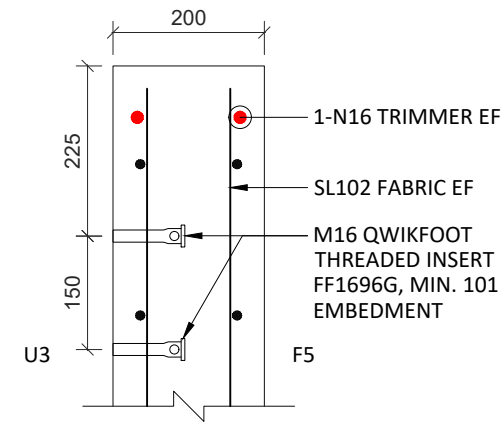
CONCRETE - ELEVATION PLAN AS CAST REAR FACE
SCALE :- 1:50



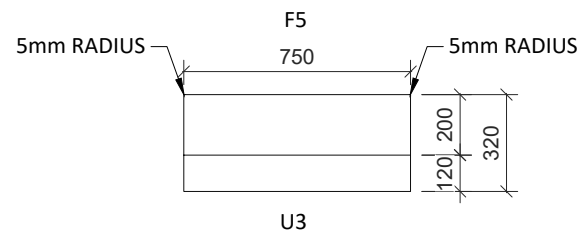
SECTION A-A REINFORCEMENT
PLAN AS CAST REAR FACE
SCALE :- 1:50



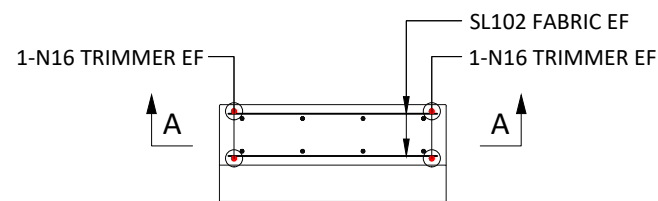
SECTION B
Scale: 1:10



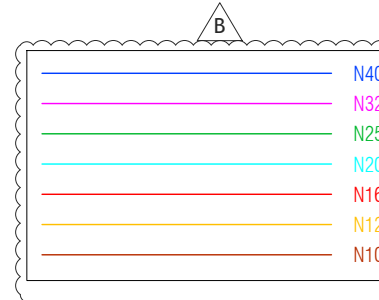
SECTION C
Scale: 1:10



CONCRETE - PLAN
SCALE :- 1:25



REINFORCEMENT - PLAN
SCALE :- 1:25



- AS SILICON DON'T HAVE JH-RFS-001050 WE HAVE MARKED CLOUD ON DETAIL. PLEASE REFER JH-RFS-001050 AND AMEND THE FERRULE POSITION BEFORE CASTING.

ALL EDGE LIFTERS - EdjPro EPHIMax +N16 HANGER BAR
TOTAL CUT LENGTH= 1180mm
+N16 TRIMMER BAR PERIMETER BAR

ALL FACE LIFTERS - CA05120
PLEASE NOTE UNIT WILL NOT BE TOTALLY VERTICAL AT FINAL INSTALLATION BECAUSE OF ECCENTRICITY.

E.T.V. COVER
U3 - INNER FACE
F5 - OUTER FACE

E.T.V. - ENGINEER TO VERIFY

30cvr TO ALL EDGES & FACES (UNO)	
REBAR GRADE : D500N	
Area (m ²)	5.27
Vol (m ³)	1.04
Wt. (t)	2.61
MPa	50MPa Category B2
FINISH	Anti Graffiti Coating
NO: OFF	1

INSPECTION & TEST PLAN		
INSPECTED BY		
NAME OF FABRICATOR		
UNIT NO.		
CAST DATE		
CAST TIME		
CONCRETE DOCKET NO.		
CONCRETE SPECIF. (MPa)		
ITEM	FABRICATOR INITIAL	APPROVED Y / N
MOULD CLEANLINESS		
RELEASE OIL		
DIMENSIONS		
FORMWORK FIXED		
OPENING / REBATES CORRECT & POSITION		
HOLD POINT		
REINFORCING CORRECT		
LAPS & SPLICES CORRECT		
SPACING & COVER CORRECT		
HOLD POINT		
LIFTERS POSITIONED CORRECTLY		
CAST - IN ITEMS		
STARTERS, LACING BARS		
APPROVED FOR CASTING		
POST POUR INSPECTION		
INSPECTED BY		
DATE		
ITEM	APPROVED Y / N	
SWIFTLIFTS POSITION		
SWIFTLIFTS RECESS CLEANED		
CAST-IN ITEMS CLEANED		
CONCRETE FINISH		
LABELLED (NUMBER / DATED)		
DAMAGE (CRACKS / CHIPPING)		
CLEANLINESS		
ANY ACTION REQUIRED:		
APPROVED FOR DISPATCH		

100mm AT FULL SIZE

REV.	BY	DATE	DESCRIPTION	APPD.
B	NG	07/01/23	REVISED AS PER COMMENTS	
A	VR	23/07/22	ISSUED FOR APPROVAL	

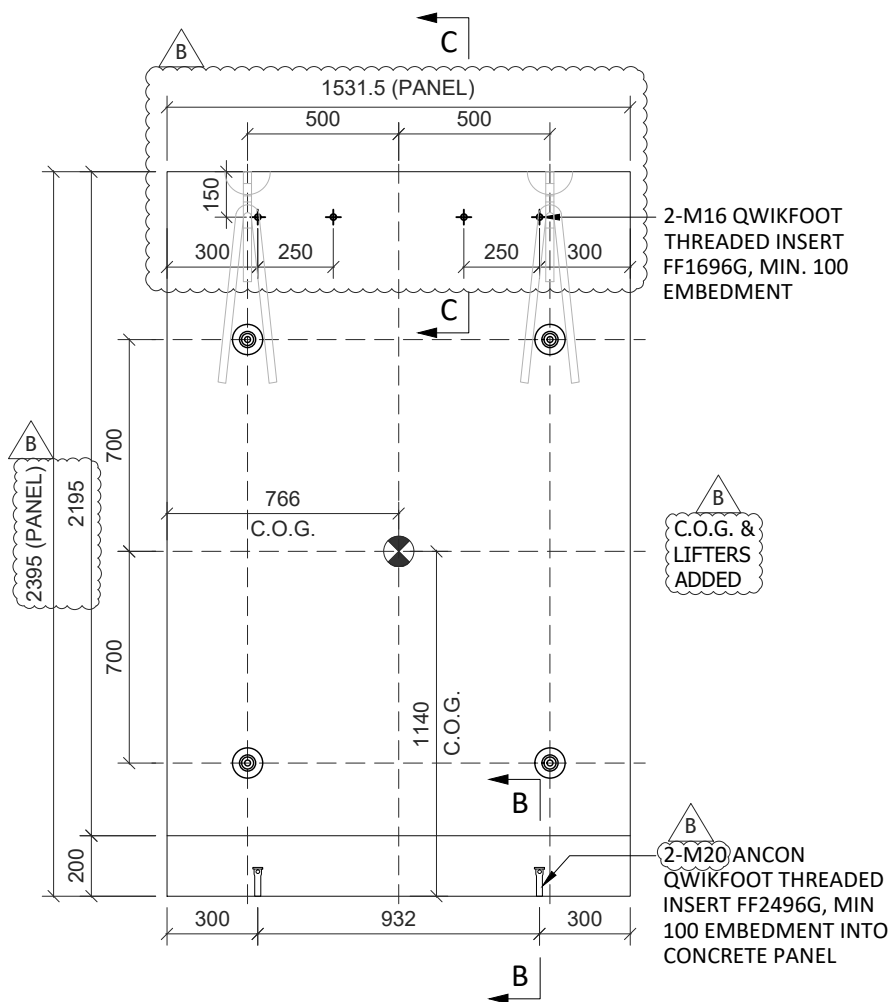
SCALES

CLIENT

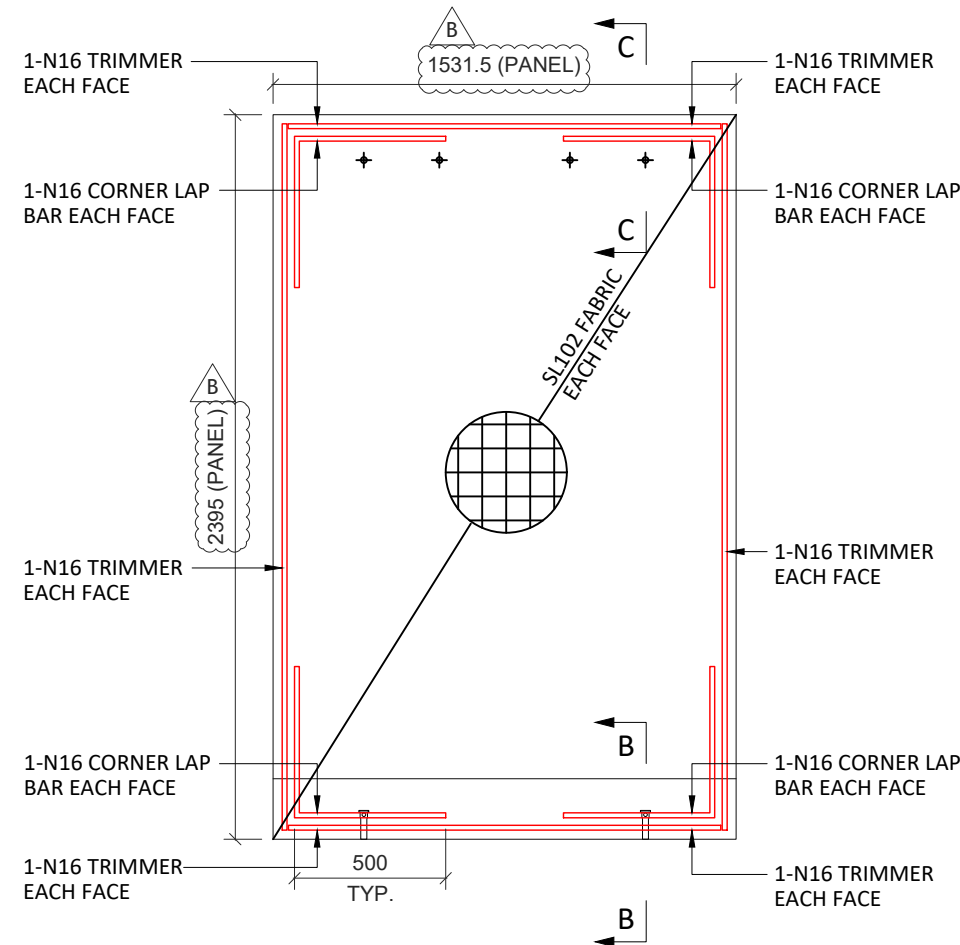
SERVICE PROVIDERS

SYDNEY METRO
WATERLOO STATION PRECAST SE-13 PRECAST PANEL SHOP DRAWING (TYPE-P7)
DRG No. SMCSWSWL-FUS-SWL-PT-SHP-703013

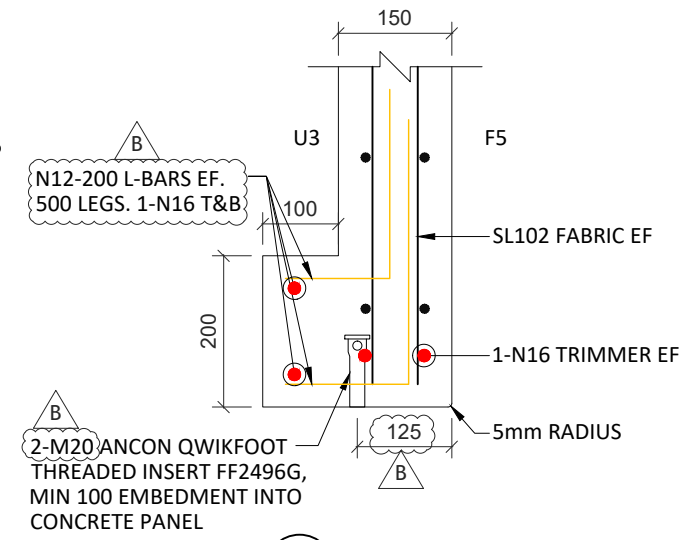
SYDNEY METRO
WATERLOO STATION PRECAST SE-13 PRECAST PANEL SHOP DRAWING (TYPE-P7)
SHEET 1 OF 1
REV. B



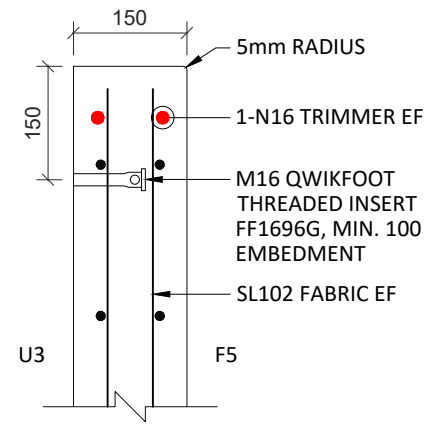
CONCRETE - ELEVATION PLAN AS CAST REAR FACE
SCALE :- 1:50



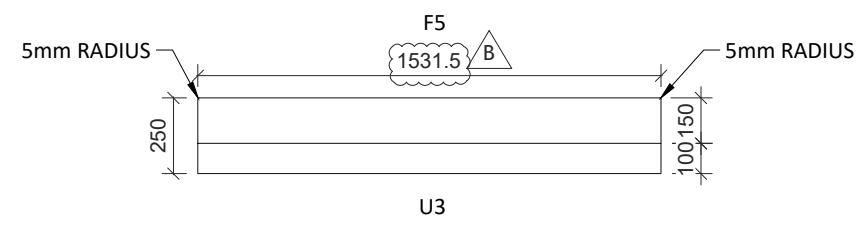
SECTION A-A REINFORCEMENT PLAN AS CAST REAR FACE
SCALE :- 1:50



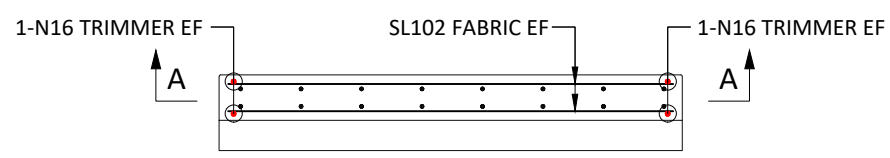
B SECTION
Scale: 1:10



C SECTION
Scale: 1:10



CONCRETE - PLAN
SCALE :- 1:25



REINFORCEMENT - PLAN
SCALE :- 1:25

N40	ALL EDGE LIFTERS - EdjPro EPHIMax
N32	+N16 HANGER BAR
N25	TOTAL CUT LENGTH= 1180mm
N20	+N16 TRIMMER BAR PERIMETER BAR
N16	ALL FACE LIFTERS - CA05120
N12	
N10	

PLEASE NOTE UNIT WILL NOT BE TOTALLY VERTICAL AT FINAL INSTALLATION BECAUSE OF ECCENTRICITY.

INSPECTION & TEST PLAN		
INSPECTED BY		
NAME OF FABRICATOR		
UNIT NO.		
CAST DATE		
CAST TIME		
CONCRETE DOCKET NO.		
CONCRETE SPECIF. (MPa)		
ITEM	FABRICATOR INITIAL	APPROVED Y / N
MOULD CLEANLINESS		
RELEASE OIL		
DIMENSIONS		
FORMWORK FIXED		
OPENING / REBATES CORRECT & POSITION		
HOLD POINT		
REINFORCING CORRECT		
LAPS & SPLICES CORRECT		
SPACING & COVER CORRECT		
HOLD POINT		
LIFTERS POSITIONED CORRECTLY		
CAST - IN ITEMS		
STARTERS, LACING BARS		
APPROVED FOR CASTING		
POST POUR INSPECTION		
INSPECTED BY		
DATE		
ITEM		APPROVED Y / N
SWIFTLIFTS POSITION		
SWIFTLIFTS RECESS CLEANED		
CAST-IN ITEMS CLEANED		
CONCRETE FINISH		
LABELLED (NUMBER / DATED)		
DAMAGE (CRACKS / CHIPPING)		
CLEANLINESS		
ANY ACTION REQUIRED:		
APPROVED FOR DISPATCH		

E.T.V. COVER
U3 - INNER FACE
F5 - OUTER FACE

E.T.V. - ENGINEER TO VERIFY

30cvr TO ALL EDGES & FACES (UNO)	
REBAR GRADE : D500N	
Area (m ²)	3.97
Vol (m ³)	0.58
Wt. (t)	1.45
MPa	50MPa Category B2
FINISH	Anti Graffiti Coating
NO: OFF	1

REV.	BY	DATE	DESCRIPTION	APPD.
B	NG	07/01/23	REVISED AS PER COMMENTS	
A	VR	23/07/22	ISSUED FOR APPROVAL	

SCALES	

CLIENT

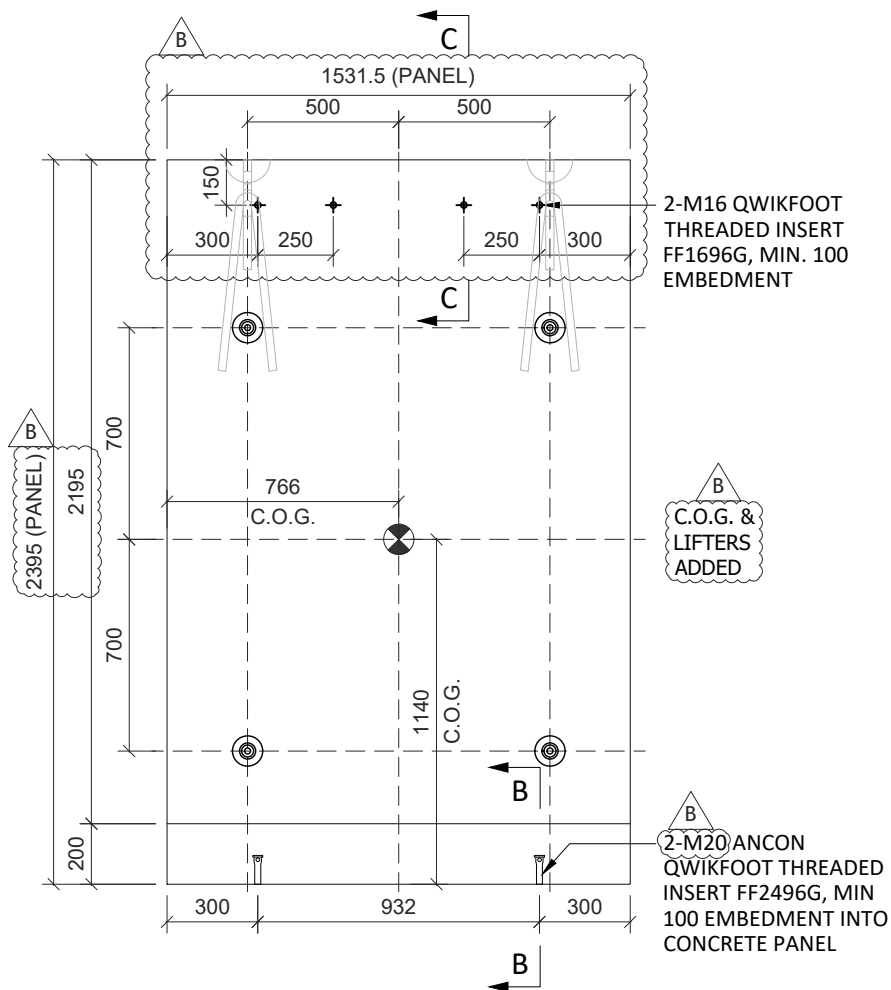
SERVICE PROVIDERS

DESIGN
DRAWN: VR
DESIGNED: _____
DRG CHECK: HP
DESIGN CHECK: _____
APPROVED: _____

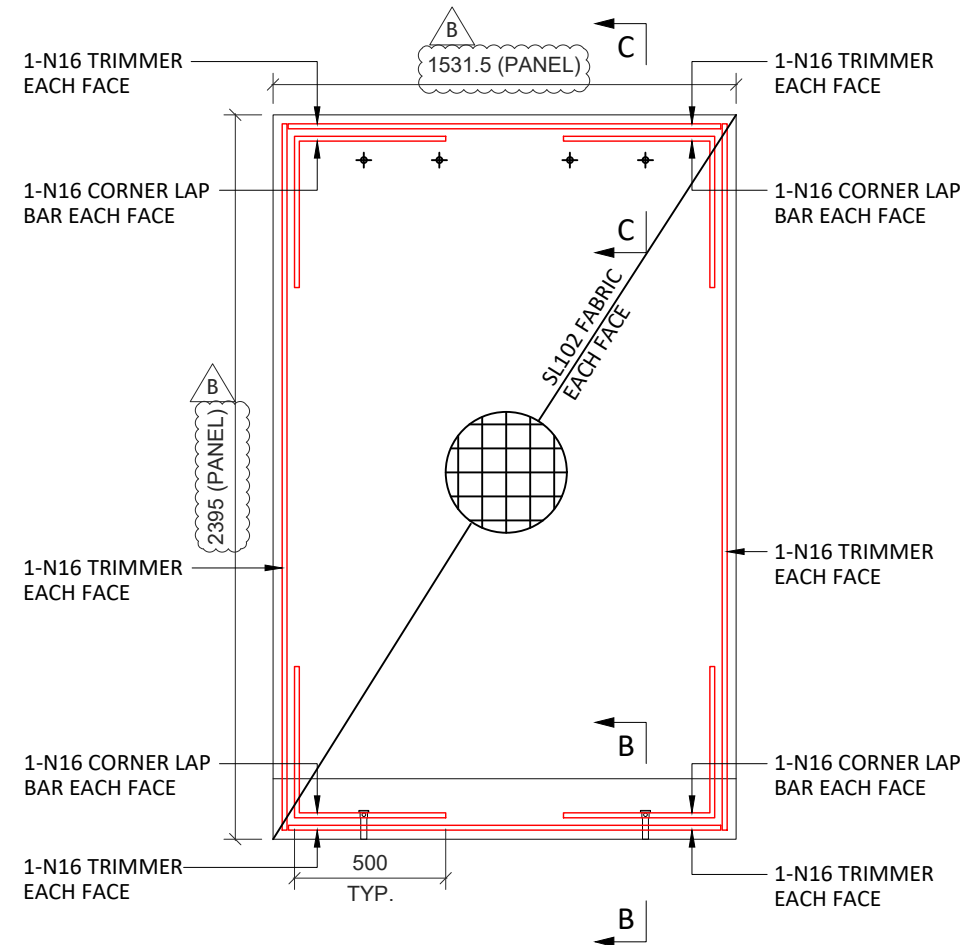
SYDNEY METRO
WATERLOO STATION
PRECAST
SE-14 PRECAST PANEL SHOP DRAWING
(TYPE-P9)

DRG No. SMCSWSWL-FUS-SWL-PT-SHP-703014

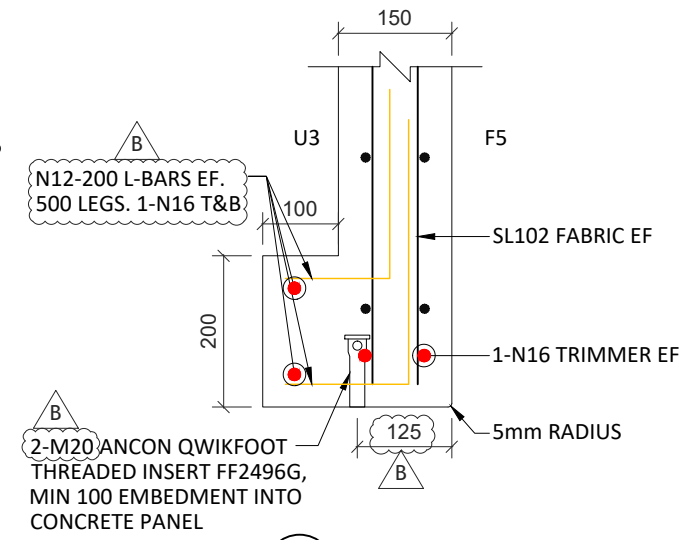
SHEET 1 OF 1



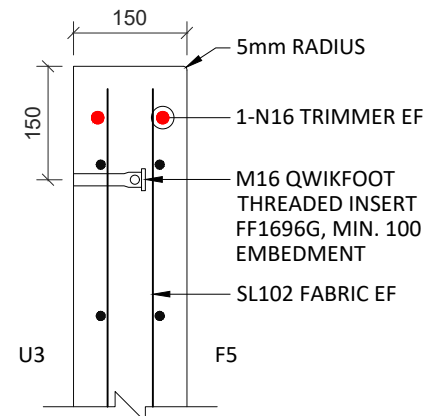
CONCRETE - ELEVATION PLAN AS CAST REAR FACE
SCALE :- 1:50



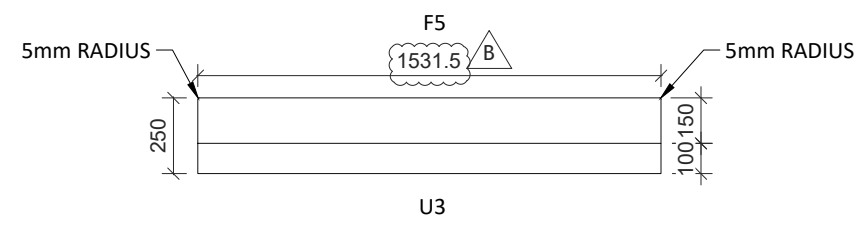
SECTION A-A REINFORCEMENT PLAN AS CAST REAR FACE
SCALE :- 1:50



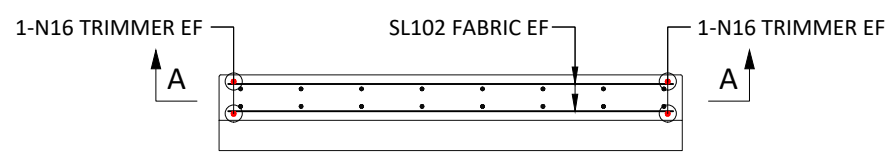
B SECTION
Scale: 1:10



C SECTION
Scale: 1:10



CONCRETE - PLAN
SCALE :- 1:25



REINFORCEMENT - PLAN
SCALE :- 1:25

N40	ALL EDGE LIFTERS - EdjPro EPHIMax
N32	+N16 HANGER BAR
N25	TOTAL CUT LENGTH= 1180mm
N20	+N16 TRIMMER BAR PERIMETER BAR
N16	ALL FACE LIFTERS - CA05120
N12	
N10	

PLEASE NOTE UNIT WILL NOT BE TOTALLY VERTICAL AT FINAL INSTALLATION BECAUSE OF ECCENTRICITY.

INSPECTION & TEST PLAN		
INSPECTED BY		
NAME OF FABRICATOR		
UNIT NO.		
CAST DATE		
CAST TIME		
CONCRETE DOCKET NO.		
CONCRETE SPECIF. (MPa)		
ITEM	FABRICATOR INITIAL	APPROVED Y / N
MOULD CLEANLINESS		
RELEASE OIL		
DIMENSIONS		
FORMWORK FIXED		
OPENING / REBATES CORRECT & POSITION		
HOLD POINT		
REINFORCING CORRECT		
LAPS & SPLICES CORRECT		
SPACING & COVER CORRECT		
HOLD POINT		
LIFTERS POSITIONED CORRECTLY		
CAST - IN ITEMS		
STARTERS, LACING BARS		
APPROVED FOR CASTING		
POST POUR INSPECTION		
INSPECTED BY		
DATE		
ITEM		APPROVED Y / N
SWIFTLIFTS POSITION		
SWIFTLIFTS RECESS CLEANED		
CAST-IN ITEMS CLEANED		
CONCRETE FINISH		
LABELLED (NUMBER / DATED)		
DAMAGE (CRACKS / CHIPPING)		
CLEANLINESS		
ANY ACTION REQUIRED:		
APPROVED FOR DISPATCH		

E.T.V. COVER
U3 - INNER FACE
F5 - OUTER FACE

E.T.V. - ENGINEER TO VERIFY

30cvr TO ALL EDGES & FACES (UNO)	
REBAR GRADE : D500N	
Area (m ²)	3.97
Vol (m ³)	0.58
Wt. (t)	1.45
MPa	50MPa Category B2
FINISH	Anti Graffiti Coating
NO: OFF	1

REV.	BY	DATE	DESCRIPTION	APPD.
B	NG	07/01/23	REVISED AS PER COMMENTS	
A	VR	23/07/22	ISSUED FOR APPROVAL	

SCALES	

CLIENT

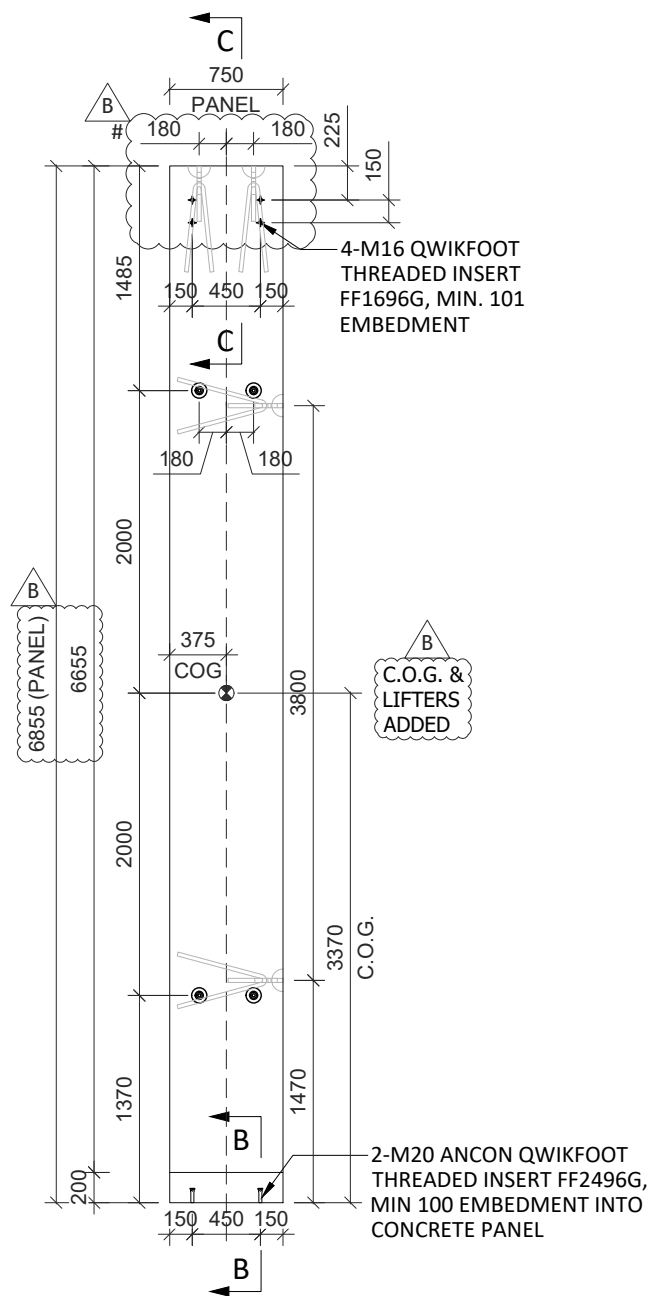
SERVICE PROVIDERS

DESIGN
DRAWN: VR
DESIGNED: _____
DRG CHECK: HP
DESIGN CHECK: _____
APPROVED: _____

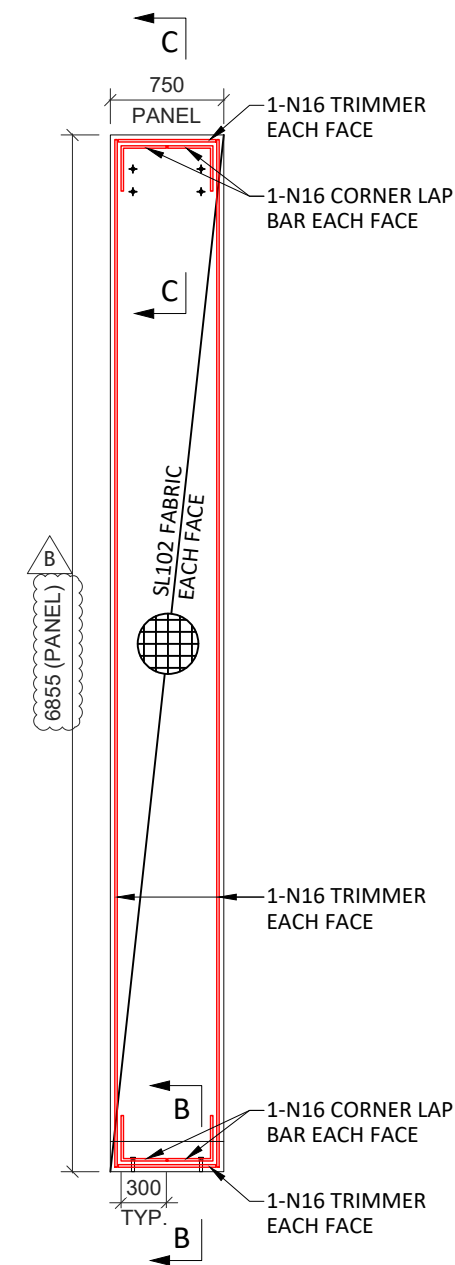
SYDNEY METRO
WATERLOO STATION
PRECAST
SE-15 PRECAST PANEL SHOP DRAWING
(TYPE-P9)

DRG No. SMCSWSWL-FUS-SWL-PT-SHP-703015

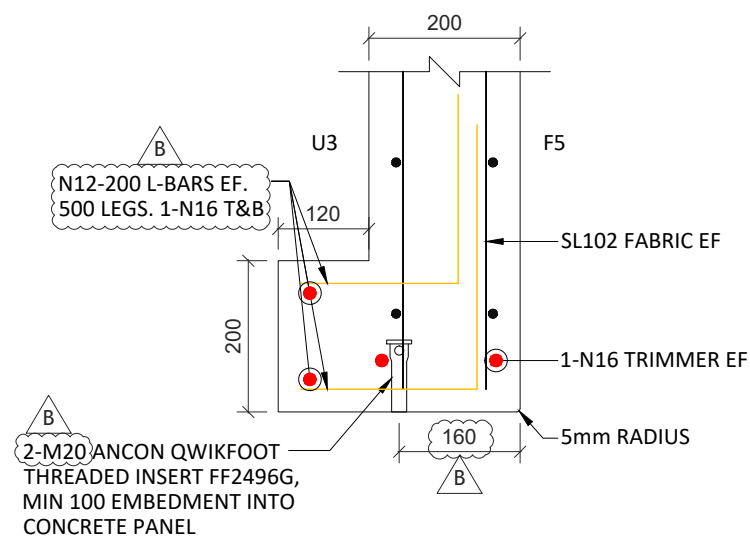
SHEET 1 OF 1



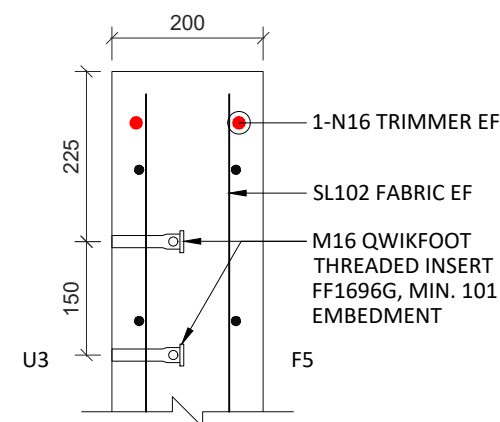
CONCRETE - ELEVATION PLAN AS CAST REAR FACE
SCALE :- 1:50



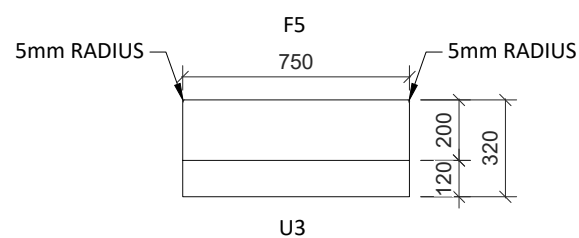
SECTION A-A REINFORCEMENT PLAN AS CAST REAR FACE
SCALE :- 1:50



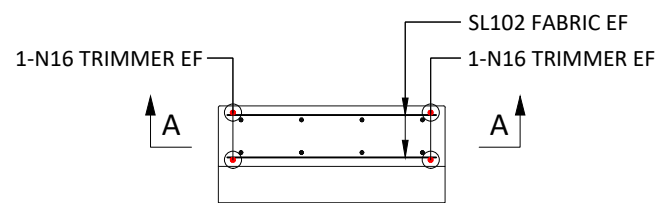
SECTION B
Scale: 1:10



SECTION C
Scale: 1:10



CONCRETE - PLAN
SCALE :- 1:25



REINFORCEMENT - PLAN
SCALE :- 1:25

- AS SILICON DON'T HAVE JH-RFS-001050 WE HAVE MARKED CLOUD ON DETAIL. PLEASE REFER JH-RFS-001050 AND AMEND THE FERRULE POSITION BEFORE CASTING.

E.T.V. COVER

U3 - INNER FACE
F5 - OUTER FACE

E.T.V. - ENGINEER TO VERIFY

N40	ALL EDGE LIFTERS - EdjPro EPHIMax
N32	+N16 HANGER BAR
N25	TOTAL CUT LENGTH= 1180mm
N20	+N16 TRIMMER BAR PERIMETER BAR
N16	ALL FACE LIFTERS - CA05120
N12	PLEASE NOTE UNIT WILL NOT BE TOTALLY VERTICAL AT FINAL INSTALLATION BECAUSE OF ECCENTRICITY.
N10	

30cvr TO ALL EDGES & FACES (UNO)	
REBAR GRADE : D500N	
Area (m ²)	{5.29}
Vol (m ³)	1.05
Wt. (t)	2.62
MPa	50MPa Category B2
FINISH	Anti Graffiti Coating
NO: OFF	1

INSPECTION & TEST PLAN		
INSPECTED BY		
NAME OF FABRICATOR		
UNIT NO.		
CAST DATE		
CAST TIME		
CONCRETE DOCKET NO.		
CONCRETE SPECIF. (MPa)		
ITEM	FABRICATOR INITIAL	APPROVED Y / N
MOULD CLEANLINESS		
RELEASE OIL		
DIMENSIONS		
FORMWORK FIXED		
OPENING / REBATES CORRECT & POSITION		
HOLD POINT		
REINFORCING CORRECT		
LAPS & SPLICES CORRECT		
SPACING & COVER CORRECT		
HOLD POINT		
LIFTERS POSITIONED CORRECTLY		
CAST - IN ITEMS		
STARTERS, LACING BARS		
APPROVED FOR CASTING		
POST POUR INSPECTION		
INSPECTED BY		
DATE		
ITEM	APPROVED Y / N	
SWIFTLIFTS POSITION		
SWIFTLIFTS RECESS CLEANED		
CAST-IN ITEMS CLEANED		
CONCRETE FINISH		
LABELLED (NUMBER / DATED)		
DAMAGE (CRACKS / CHIPPING)		
CLEANLINESS		
ANY ACTION REQUIRED:		
APPROVED FOR DISPATCH		

100mm AT FULL SIZE

REV.	BY	DATE	DESCRIPTION	APPD.
B	NG	07/01/23	REVISED AS PER COMMENTS	
A	VR	23/07/22	ISSUED FOR APPROVAL	

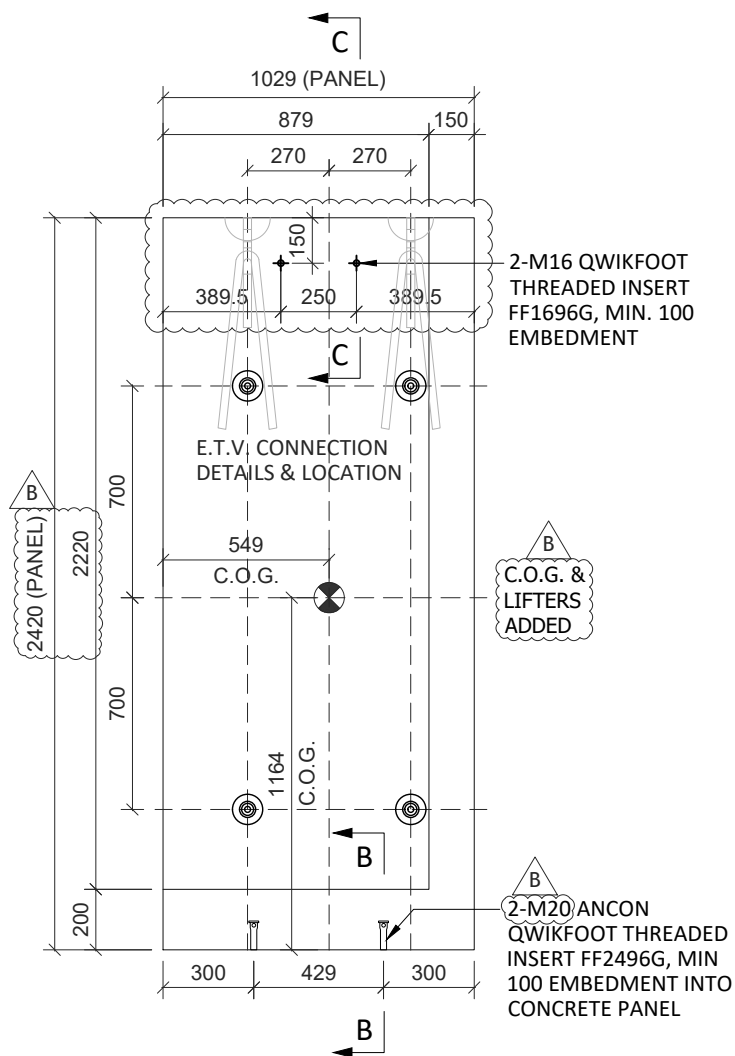
SCALES

CLIENT

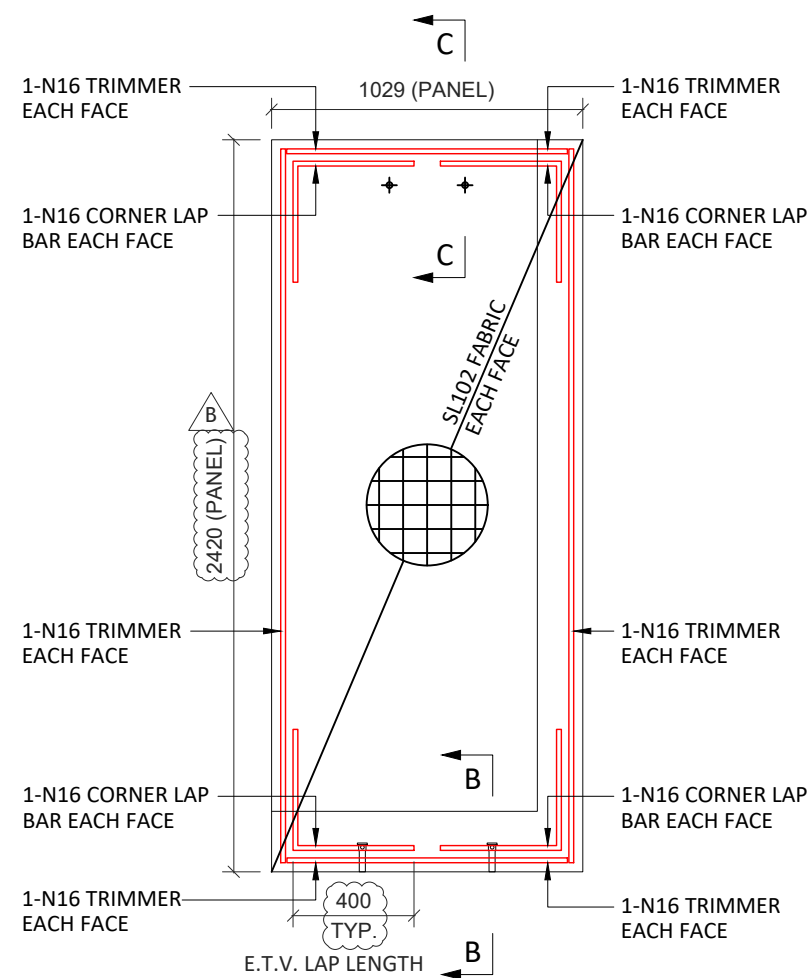
SERVICE PROVIDERS

SYDNEY METRO
WATERLOO STATION PRECAST SE-16 PRECAST PANEL SHOP DRAWING (TYPE-P7)

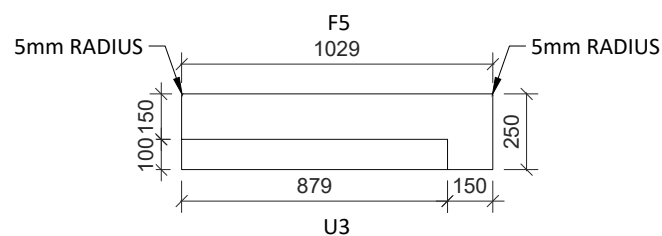
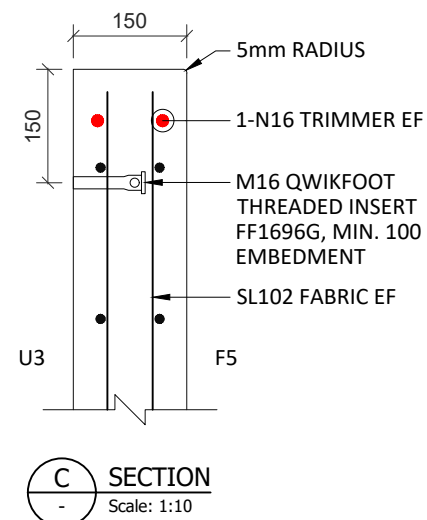
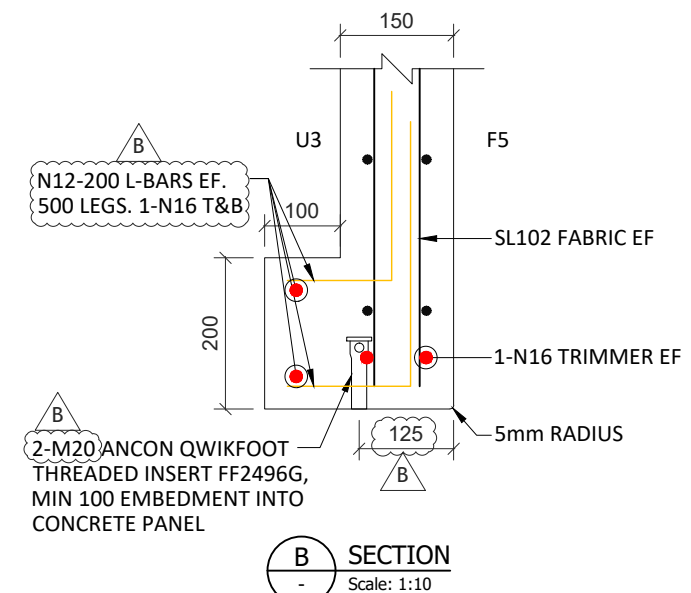
SHEET 1 OF 1
DRG No. SMCSWSWL-FUS-SWL-PT-SHP-703016



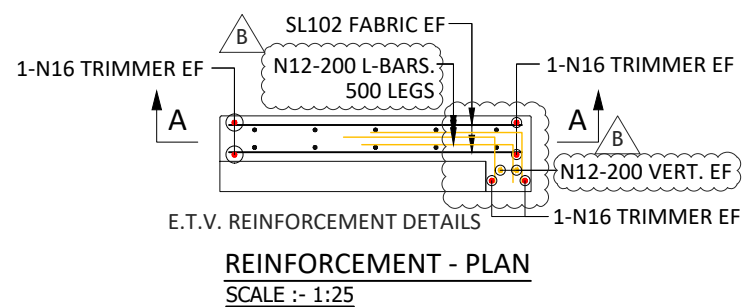
CONCRETE - ELEVATION PLAN AS CAST REAR FACE
SCALE :- 1:50



SECTION A-A REINFORCEMENT PLAN AS CAST REAR FACE
SCALE :- 1:50



CONCRETE - PLAN
SCALE :- 1:25



REINFORCEMENT - PLAN
SCALE :- 1:25

ALL EDGE LIFTERS - EdjPro EPHIMax
+N16 HANGER BAR
TOTAL CUT LENGTH= 1180mm
+N16 TRIMMER BAR PERIMETER BAR

ALL FACE LIFTERS - CA05120

PLEASE NOTE UNIT WILL NOT BE TOTALLY VERTICAL AT FINAL INSTALLATION BECAUSE OF ECCENTRICITY.

N40
N32
N25
N20
N16
N12
N10

INSPECTION & TEST PLAN	
INSPECTED BY	
NAME OF FABRICATOR	
UNIT NO.	
CAST DATE	
CAST TIME	
CONCRETE DOCKET NO.	
CONCRETE SPECIF. (MPa)	

ITEM	FABRICATOR INITIAL	APPROVED Y / N
MOULD CLEANLINESS		
RELEASE OIL		
DIMENSIONS		
FORMWORK FIXED		
OPENING / REBATES CORRECT & POSITION		
HOLD POINT		
REINFORCING CORRECT		
LAPS & SPLICES CORRECT		
SPACING & COVER CORRECT		
HOLD POINT		
LIFTERS POSITIONED CORRECTLY		
CAST - IN ITEMS		
STARTERS, LACING BARS		
APPROVED FOR CASTING		

POST POUR INSPECTION	
INSPECTED BY	
DATE	

ITEM	APPROVED Y / N
SWIFTLIFTS POSITION	
SWIFTLIFTS RECESS CLEANED	
CAST-IN ITEMS CLEANED	
CONCRETE FINISH	
LABELLED (NUMBER / DATED)	
DAMAGE (CRACKS / CHIPPING)	
CLEANLINESS	
ANY ACTION REQUIRED:	
APPROVED FOR DISPATCH	

E.T.V. COVER

U3 - INNER FACE
F5 - OUTER FACE

E.T.V. - ENGINEER TO VERIFY

30cvr TO ALL EDGES & FACES (UNO)
REBAR GRADE : D500N
Area (m ²) (2.91)
Vol (m ³) (0.43)
Wt. (t) (1.07)
MPa (50MPa Category B2)
FINISH (Anti Graffiti Coating)
NO: OFF (1)

100mm AT FULL SIZE

REV.	BY	DATE	DESCRIPTION	APPD.
B	NG	07/01/23	REVISED AS PER COMMENTS	
A	VR	23/07/22	ISSUED FOR APPROVAL	

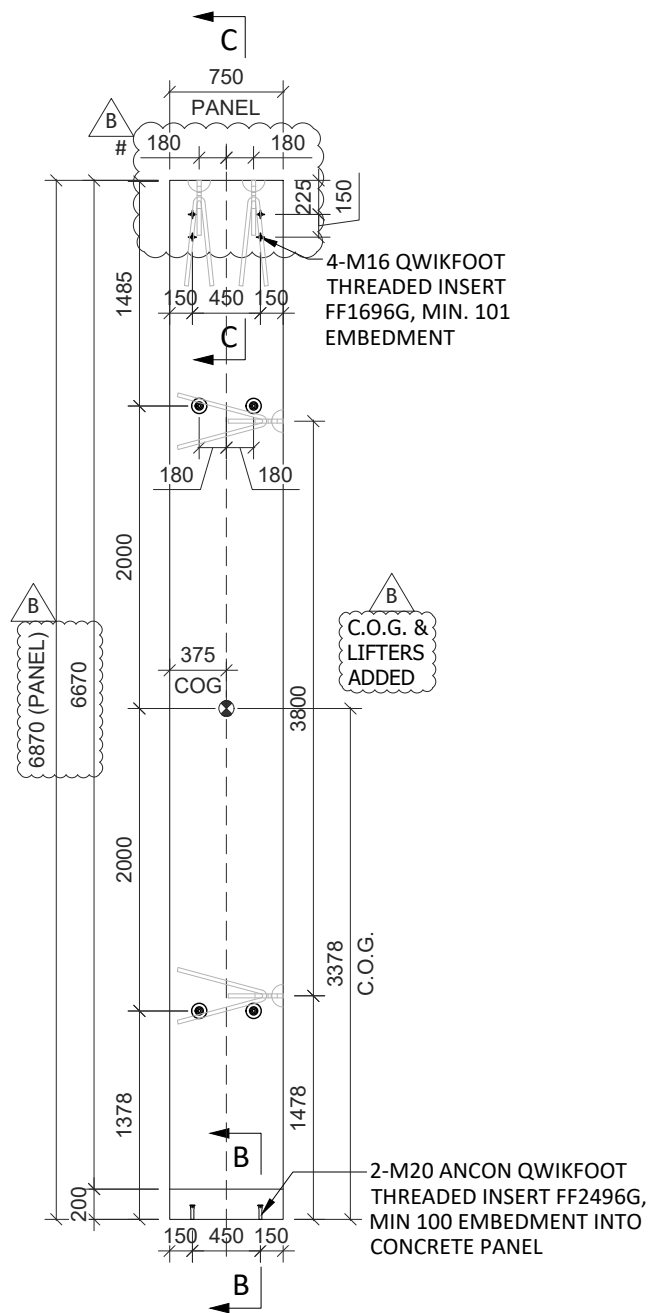
SCALES	

CLIENT	

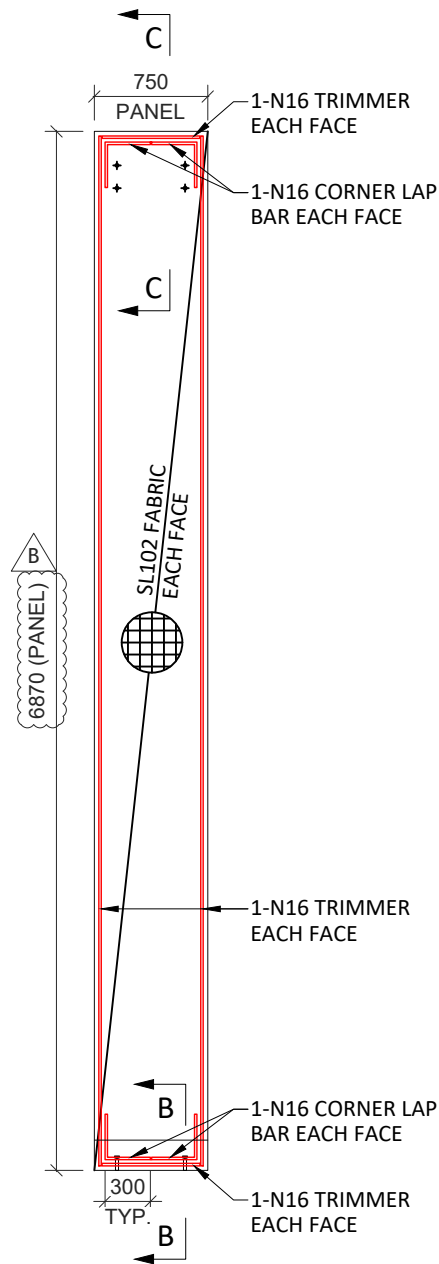
SERVICE PROVIDERS	

SYDNEY METRO	
WATERLOO STATION	
PRECAST	
SE-17 PRECAST PANEL SHOP DRAWING (TYPE-P9)	
SHEET 1 OF 1	
DRG No. SMCSWSWL-FUS-SWL-PT-SHP-703017	

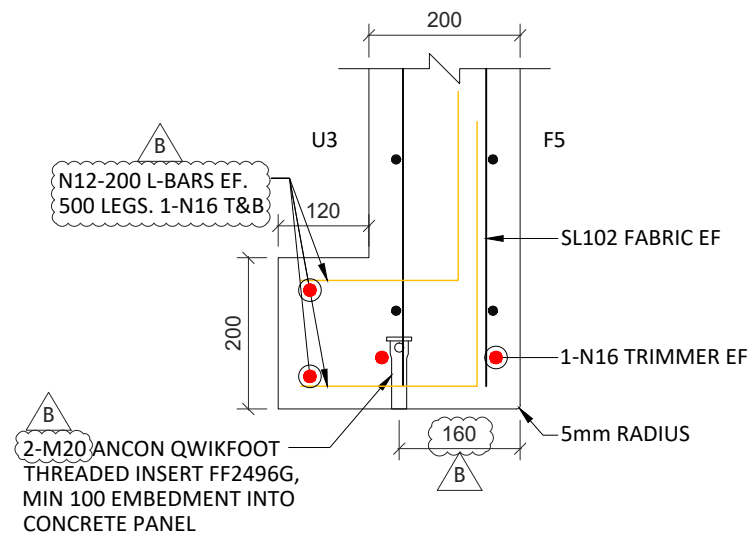
SYDNEY METRO	
WATERLOO STATION	
PRECAST	
SE-17 PRECAST PANEL SHOP DRAWING (TYPE-P9)	
SHEET 1 OF 1	
DRG No. SMCSWSWL-FUS-SWL-PT-SHP-703017	



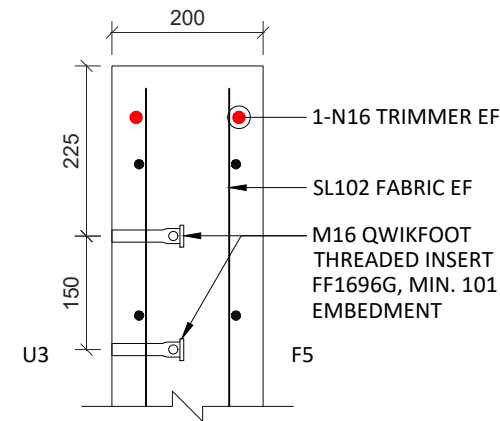
CONCRETE - ELEVATION PLAN AS CAST REAR FACE
SCALE :- 1:50



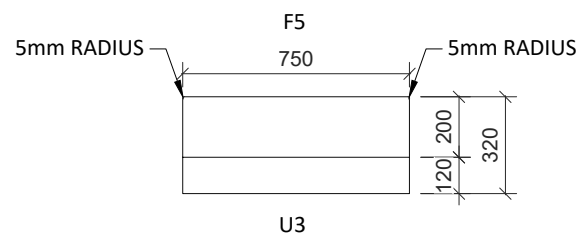
SECTION A-A REINFORCEMENT PLAN AS CAST REAR FACE
SCALE :- 1:50



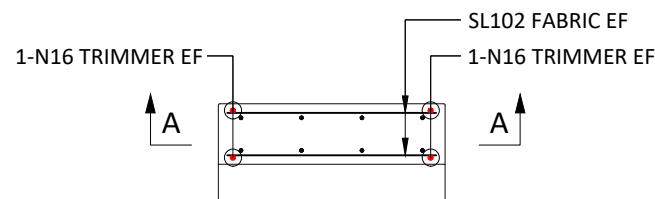
SECTION B Scale: 1:10



SECTION C Scale: 1:10



CONCRETE - PLAN
SCALE :- 1:25



REINFORCEMENT - PLAN
SCALE :- 1:25

- AS SILICON DON'T HAVE JH-RFS-001050 WE HAVE MARKED CLOUD ON DETAIL. PLEASE REFER JH-RFS-001050 AND AMEND THE FERRULE POSITION BEFORE CASTING.

E.T.V. COVER

U3 - INNER FACE
F5 - OUTER FACE

E.T.V. - ENGINEER TO VERIFY

N40	ALL EDGE LIFTERS - EdjPro EPHIMax
N32	+N16 HANGER BAR
N25	TOTAL CUT LENGTH= 1180mm
N20	+N16 TRIMMER BAR PERIMETER BAR
N16	ALL FACE LIFTERS - CA05120
N12	
N10	

PLEASE NOTE UNIT WILL NOT BE TOTALLY VERTICAL AT FINAL INSTALLATION BECAUSE OF ECCENTRICITY.

30cvr TO ALL EDGES & FACES (UNO)	
REBAR GRADE : D500N	
Area (m ²)	5.30
Vol (m ³)	1.05
Wt. (t)	2.62
MPa	50MPa Category B2
FINISH	Anti Graffiti Coating
NO: OFF	1

INSPECTION & TEST PLAN		
INSPECTED BY		
NAME OF FABRICATOR		
UNIT NO.		
CAST DATE		
CAST TIME		
CONCRETE DOCKET NO.		
CONCRETE SPECIF. (MPa)		
ITEM	FABRICATOR INITIAL	APPROVED Y / N
MOULD CLEANLINESS		
RELEASE OIL		
DIMENSIONS		
FORMWORK FIXED		
OPENING / REBATES CORRECT & POSITION		
HOLD POINT		
REINFORCING CORRECT		
LAPS & SPLICES CORRECT		
SPACING & COVER CORRECT		
HOLD POINT		
LIFTERS POSITIONED CORRECTLY		
CAST - IN ITEMS		
STARTERS, LACING BARS		
APPROVED FOR CASTING		
POST POUR INSPECTION		
INSPECTED BY		
DATE		
ITEM		APPROVED Y / N
SWIFTLIFTS POSITION		
SWIFTLIFTS RECESS CLEANED		
CAST-IN ITEMS CLEANED		
CONCRETE FINISH		
LABELLED (NUMBER / DATED)		
DAMAGE (CRACKS / CHIPPING)		
CLEANLINESS		
ANY ACTION REQUIRED:		
APPROVED FOR DISPATCH		

100mm AT FULL SIZE

REV.	BY	DATE	DESCRIPTION	APPD.
B	NG	07/01/23	REVISED AS PER COMMENTS	
A	VR	23/07/22	ISSUED FOR APPROVAL	

SCALES	

CLIENT	

SERVICE PROVIDERS	
DRAWN	VR
DESIGNED	
DRG CHECK	HP
DESIGN CHECK	
APPROVED	

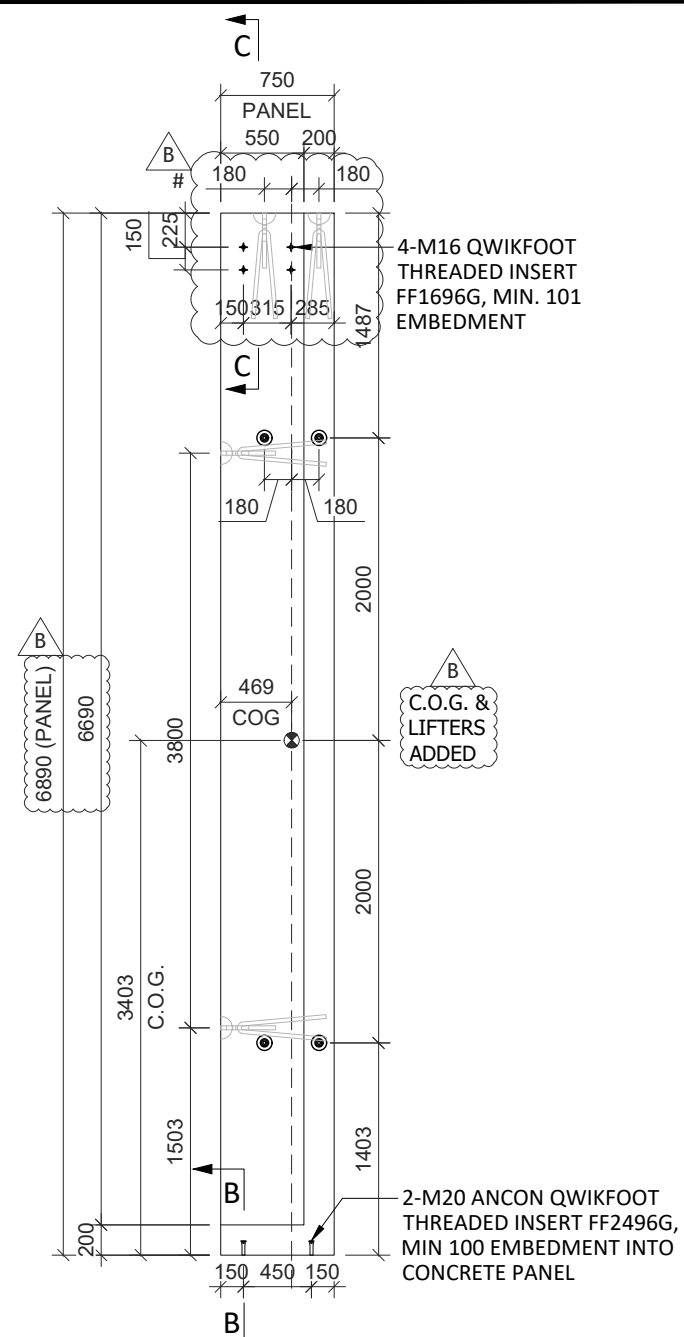
The information shown on this drawing is for the purposes of the Sydney Metro Project only. No warranty is given or implied as to its suitability for any other purpose. The Service Providers accept no liability arising from the use of this drawing and the information shown thereon for any purpose other than the Sydney Metro Project.

SYDNEY METRO
WATERLOO STATION
PRECAST
SE-18 PRECAST PANEL SHOP DRAWING
(TYPE-P7)

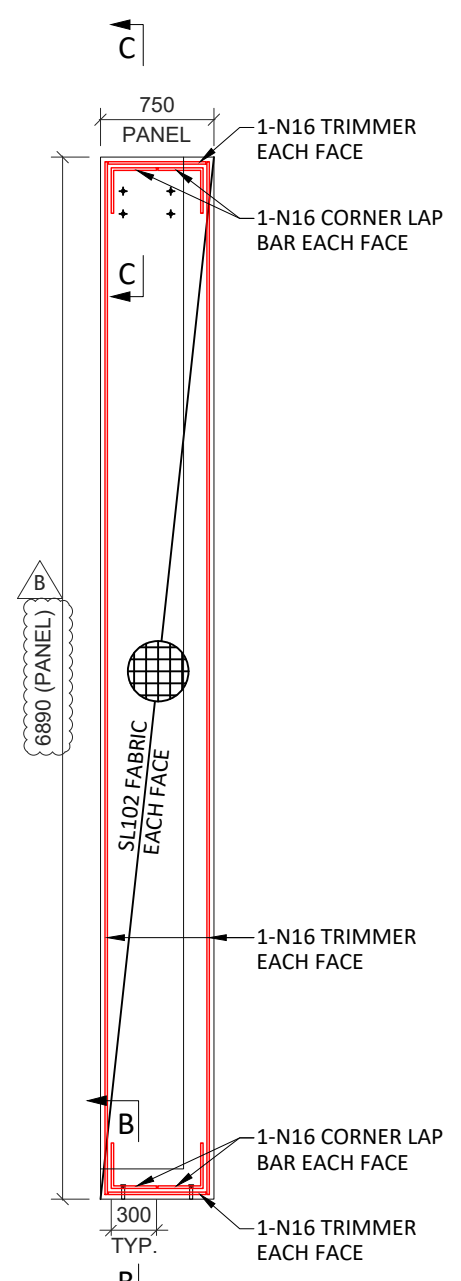
SHEET 1 OF 1

DRG No. SMCSWSWL-FUS-SWL-PT-SHP-703018

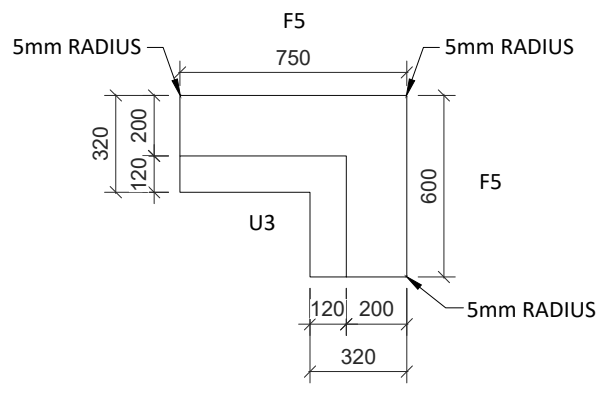
REV. B



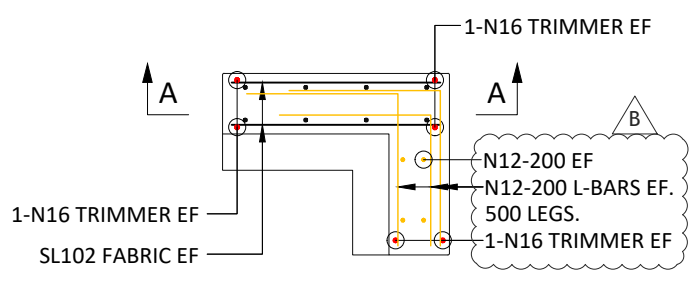
CONCRETE - ELEVATION PLAN AS CAST REAR FACE
SCALE :- 1:50



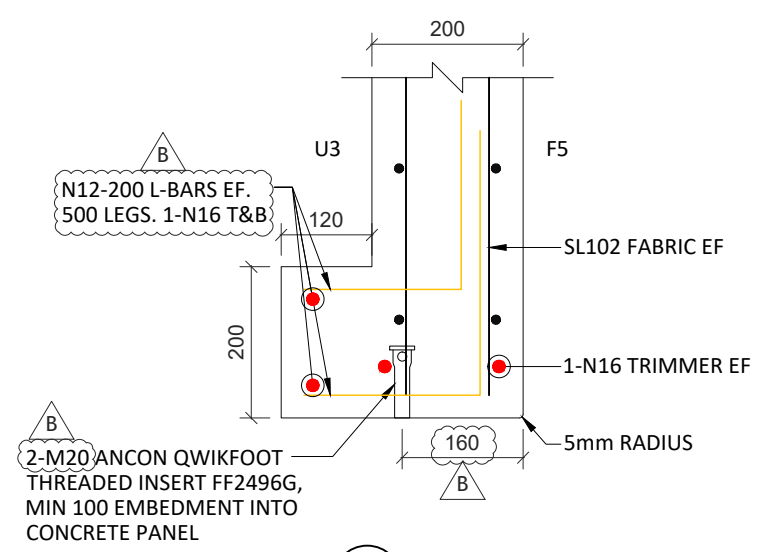
SECTION A-A REINFORCEMENT PLAN AS CAST REAR FACE
SCALE :- 1:50



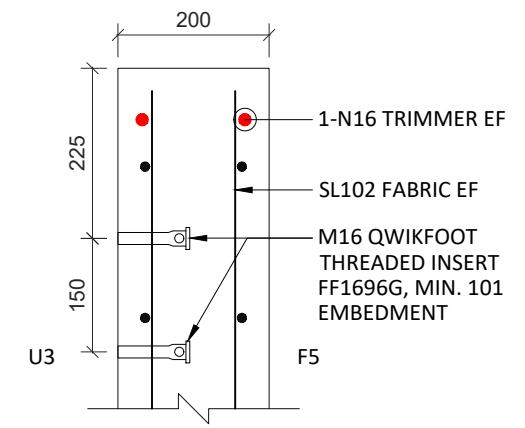
CONCRETE - PLAN
SCALE :- 1:25



REINFORCEMENT - PLAN
SCALE :- 1:25



SECTION B
Scale: 1:10



SECTION C
Scale: 1:10

INSPECTION & TEST PLAN		
INSPECTED BY		
NAME OF FABRICATOR		
UNIT NO.		
CAST DATE		
CAST TIME		
CONCRETE DOCKET NO.		
CONCRETE SPECIF. (MPa)		
ITEM	FABRICATOR INITIAL	APPROVED Y / N
MOULD CLEANLINESS		
RELEASE OIL		
DIMENSIONS		
FORMWORK FIXED		
OPENING / REBATES CORRECT & POSITION		
HOLD POINT		
REINFORCING CORRECT		
LAPS & SPLICES CORRECT		
SPACING & COVER CORRECT		
HOLD POINT		
LIFTERS POSITIONED CORRECTLY		
CAST - IN ITEMS		
STARTERS, LACING BARS		
APPROVED FOR CASTING		
POST POUR INSPECTION		
INSPECTED BY		
DATE		
ITEM		APPROVED Y / N
SWIFTLIFTS POSITION		
SWIFTLIFTS RECESS CLEANED		
CAST-IN ITEMS CLEANED		
CONCRETE FINISH		
LABELED (NUMBER / DATED)		
DAMAGE (CRACKS / CHIPPING)		
CLEANLINESS		
ANY ACTION REQUIRED:		
APPROVED FOR DISPATCH		

- AS SILICON DON'T HAVE JH-RFS-001050 WE HAVE MARKED CLOUD ON DETAIL. PLEASE REFER JH-RFS-001050 AND AMEND THE FERRULE POSITION BEFORE CASTING.

E.T.V. COVER
U3 - INNER FACE
F5 - OUTER FACE

N40	ALL EDGE LIFTERS - EdjPro EPHIMax +N16 HANGER BAR
N32	TOTAL CUT LENGTH= 1180mm
N25	+N16 TRIMMER BAR PERIMETER BAR
N20	
N16	ALL FACE LIFTERS - CA05120
N12	
N10	

PLEASE NOTE UNIT WILL NOT BE TOTALLY VERTICAL AT FINAL INSTALLATION BECAUSE OF ECCENTRICITY.

E.T.V. - ENGINEER TO VERIFY	
30cvr TO ALL EDGES & FACES (UNO)	
REBAR GRADE : D500N	
Area (m ²)	(8,09)
Vol (m ³)	1.60
Wt. (t)	4.01
MPa	50MPa Category B2
FINISH	Anti Graffiti Coating
NO: OFF	1

REV.	BY	DATE	DESCRIPTION	APPD.
B	NG	07/01/23	REVISED AS PER COMMENTS	
A	VR	23/07/22	ISSUED FOR APPROVAL	

SCALES	CLIENT

SERVICE PROVIDERS
DRAWN: VR
DESIGNED: -
DRG CHECK: HP
DESIGN CHECK: -
APPROVED: -

The information shown on this drawing is for the purposes of the Sydney Metro Project only. No warranty is given or implied as to its suitability for any other purpose. The Service Providers accept no liability arising from the use of this drawing and the information shown thereon for any purpose other than the Sydney Metro Project.

SYDNEY METRO
WATERLOO STATION
PRECAST
SE-20 PRECAST PANEL SHOP DRAWING
(TYPE-P7)

SHEET 1 OF 1

DRG No. SMCSWSWL-FUS-SWL-PT-SHP-703019

100mm AT FULL SIZE

100mm AT FULL SIZE