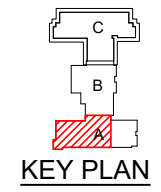


FOR CONTINUATION REFER SHEET NO.:2 OF 2

FIRST FLOOR SLAB REINFORCEMENT LAYOUT REGION-A
SCALE 1:100

Rev.	Date	Revision Details	By	Ver.	App.

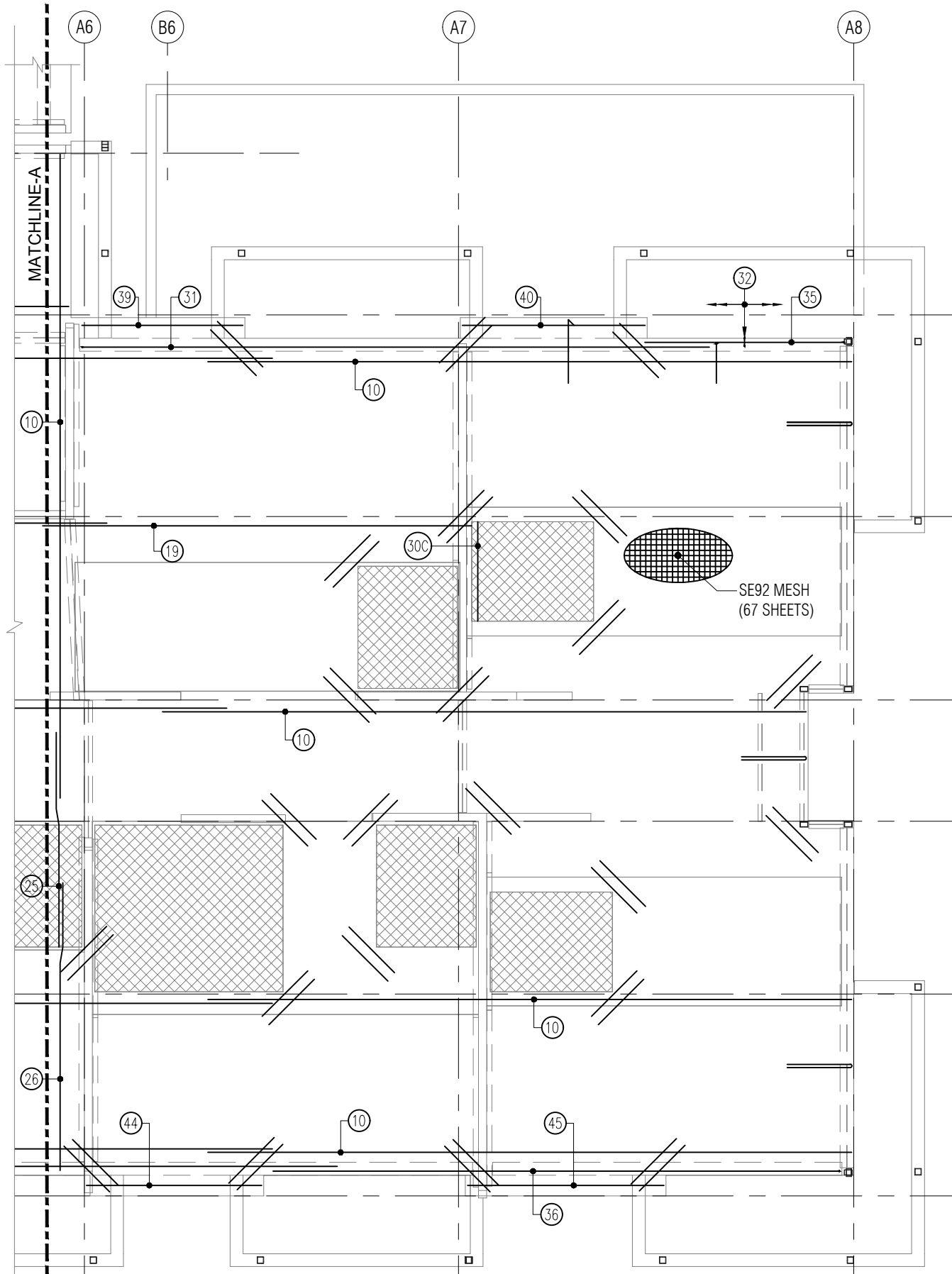


Project Director:	-	Initials:		Date:	
Designed:	-				
Design Review:	-				
Drawn:	-				
Drafting Check:	-				

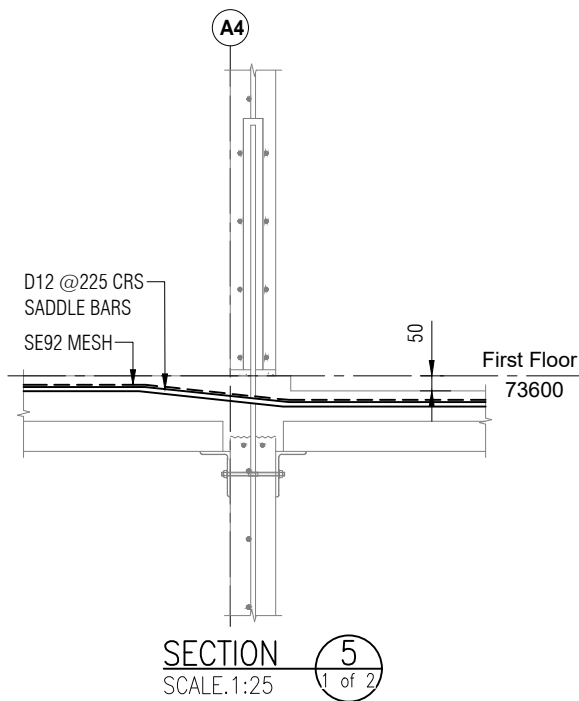
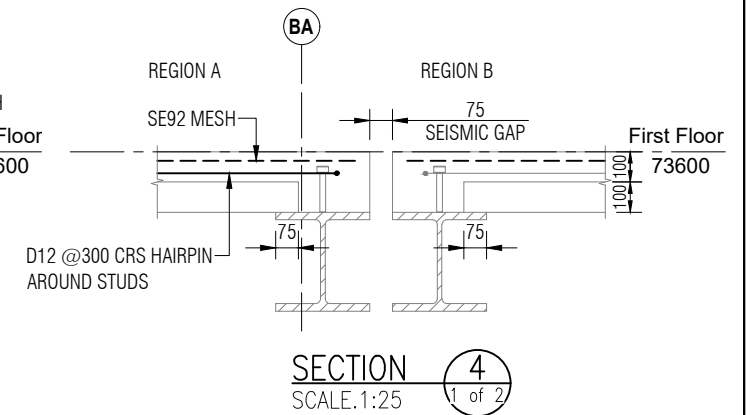
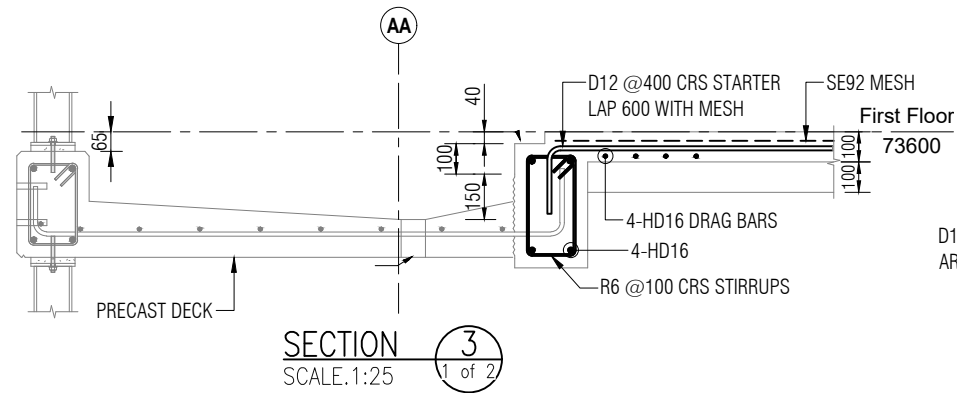
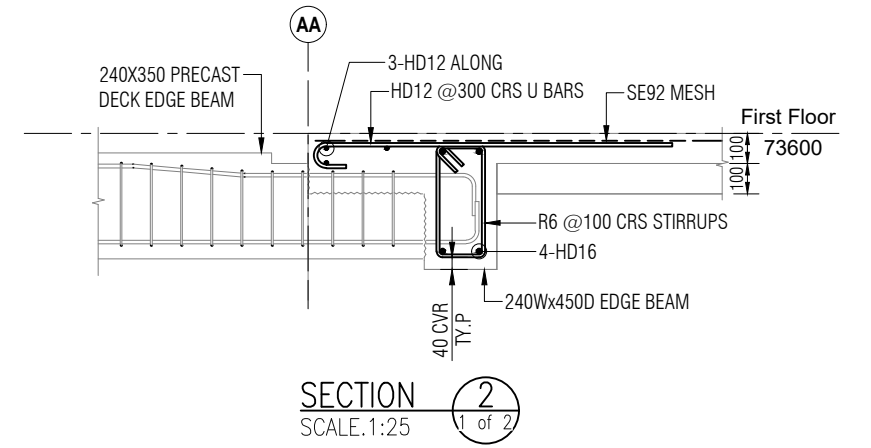
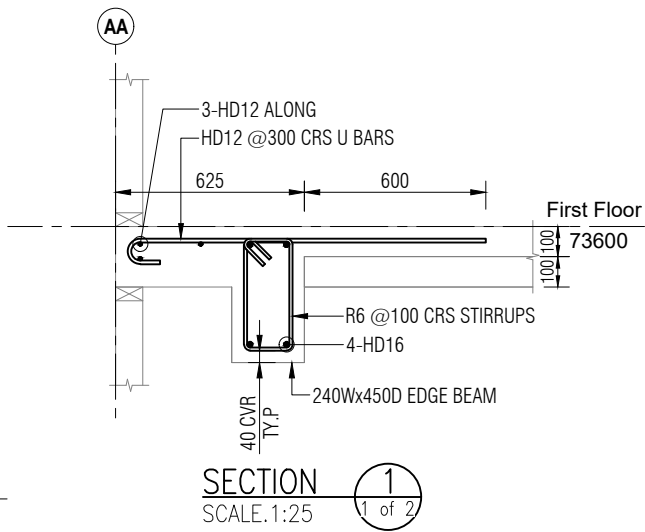
Project:	
Drawing Title:	

Project No.	
Scale:	AS SHOWN original sheet size A3
Drawing No.	Rev.
	(1 OF 2)

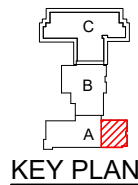
FOR CONTINUATION REFER SHEET NO.-1 OF 3



FIRST FLOOR SLAB REINFORCEMENT LAYOUT REGION-A
SCALE 1:100



Rev.	Date	Revision Details	By	Ver.	App.



Project Director:	-	Initials:		Date:	
Designed:	-				
Design Review:	-				
Drawn:	-				
Drafting Check:	-				

Project:	
Drawing Title:	

Project No.	
Scale:	AS SHOWN original sheet size A3
Drawing No.	Rev.